

US00D643397S

(12) **United States Design Patent**
Ardinghi et al.

(10) **Patent No.:** **US D643,397 S**

(45) **Date of Patent:** **** Aug. 16, 2011**

(54) **COMMUNICATION DEVICE**

(75) Inventors: **Maria Beatriz Ardinghi**, Campinas (BR); **Thomas D. Boucquey**, Chicago, IL (US); **Claudio Santiago Ribeiro**, Evanston, IL (US); **Joel Soto**, Maywood, IL (US)

(73) Assignee: **Motorola Mobility, Inc.**, Libertyville, IL (US)

(**) Term: **14 Years**

(21) Appl. No.: **29/382,064**

(22) Filed: **Dec. 28, 2010**

(51) **LOC (9) Cl.** **14-03**

(52) **U.S. Cl.** **D14/138 AB**

(58) **Field of Classification Search** D14/138 AB, D14/138 AA, 496, 341, 345, 346, 203.3, D14/203.4, 203.7, 138 AD, 138 R, 147, 218, D14/137; 455/575.1, 556.2, 575.3, 575.4; D21/517; 379/433.01, 433.04, 433.11, 433.12, 379/433.13; D13/168

See application file for complete search history.

(56) **References Cited**

U.S. PATENT DOCUMENTS

D489,699 S *	5/2004	Hwang et al.	D14/138 AB
D501,189 S *	1/2005	Lodato et al.	D14/138 AB
D513,505 S *	1/2006	Lee	D14/138 AB
D516,532 S *	3/2006	Hunt et al.	D14/138 AB
D519,967 S *	5/2006	Wei et al.	D14/138 AB
D552,055 S *	10/2007	Lheem	D14/138 AB
D559,212 S *	1/2008	Alfthan	D14/138 AB
D584,280 S *	1/2009	Moon et al.	D14/138 AB
D593,521 S *	6/2009	Tan	D14/138 AB
D593,523 S *	6/2009	Neumann et al.	D14/138 AB
D599,766 S *	9/2009	Page et al.	D14/138 AB
D600,663 S *	9/2009	Tan et al.	D14/138 AB
D601,108 S *	9/2009	Boucquey et al.	D14/138 AB
D604,262 S *	11/2009	Lee	D14/138 AB
D613,710 S *	4/2010	Kim et al.	D14/138 AB
D616,846 S *	6/2010	Byun et al.	D14/138 AB
D627,321 S *	11/2010	Ardinghi et al.	D14/138 AB
D627,323 S	11/2010	Boucquey et al.		
D627,326 S	11/2010	Ardinghi et al.		

(Continued)

OTHER PUBLICATIONS

Motorola MPx200 telephone, announced 3rd quarter 2003, [online], [site visited Mar. 25, 2011]. Available from Internet, <URL: http://www.gsmarena.com>.*

(Continued)

Primary Examiner — Jeff D Asch

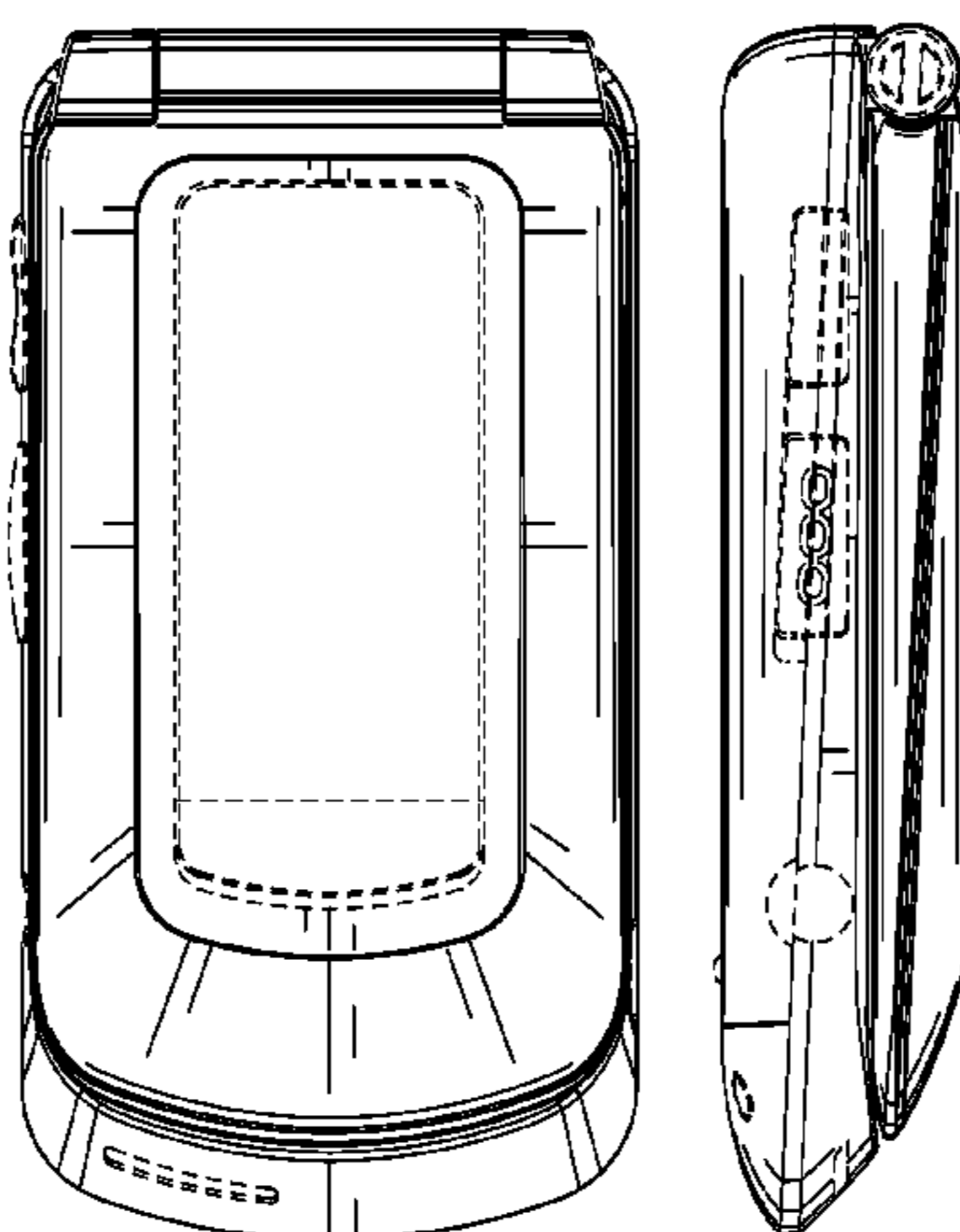
(57) **CLAIM**

The ornamental design for a communication device, as shown and described.

DESCRIPTION

FIG. 1 is a front perspective view of a first embodiment of an ornamental design for a communication device;
 FIG. 2 is a rear perspective view of the first embodiment thereof;
 FIG. 3 is a front view of the first embodiment thereof;
 FIG. 4 is a rear view of the first embodiment thereof;
 FIG. 5 is a first side view of the first embodiment thereof;
 FIG. 6 is a second side view of the first embodiment thereof;
 FIG. 7 is a top view of the first embodiment thereof; and
 FIG. 8 is a bottom view of the first embodiment thereof.
 FIG. 9 is a front perspective view of a second embodiment of an ornamental design for a communication device;
 FIG. 10 is a rear perspective view of the second embodiment thereof;
 FIG. 11 is a front view of the second embodiment thereof;
 FIG. 12 is a rear view of the second embodiment thereof;
 FIG. 13 is a first side view of the second embodiment thereof;
 FIG. 14 is a second side view of the second embodiment thereof;
 FIG. 15 is a top view of the second embodiment thereof; and
 FIG. 16 is a bottom view of the second embodiment thereof.
 The broken lines shown in FIGS. 1-8 that are immediately adjacent to the shaded areas, and define unshaded regions, represent the bounds of the first embodiment, while all other broken lines are directed to environment and are for illustrative purposes only; the broken lines form no part of the first embodiment.

1 Claim, 10 Drawing Sheets



US D643,397 S

Page 2

U.S. PATENT DOCUMENTS

D627,327 S * 11/2010 Zuffo et al. D14/138 AB
D630,180 S * 1/2011 Kim et al. D14/138 AB
D630,606 S * 1/2011 Joung et al. D14/138 AB

OTHER PUBLICATIONS

Samsung M2310 telephone, announced Jun. 2009, [online], [site visited Mar. 25, 2011]. Available from Internet, <URL: <http://www.gsmarena.com>>.*

Nokia 6350 telephone, announced Oct. 2009, [online], [site visited Mar. 25, 2011]. Available from Internet, <URL: <http://www.gsmarena.com>>.*

Motorola EM28 telephone, announced Aug. 2008, [online], [site visited Mar. 25, 2011]. Available from Internet, <URL: <http://www.gsmarena.com>>.*

* cited by examiner

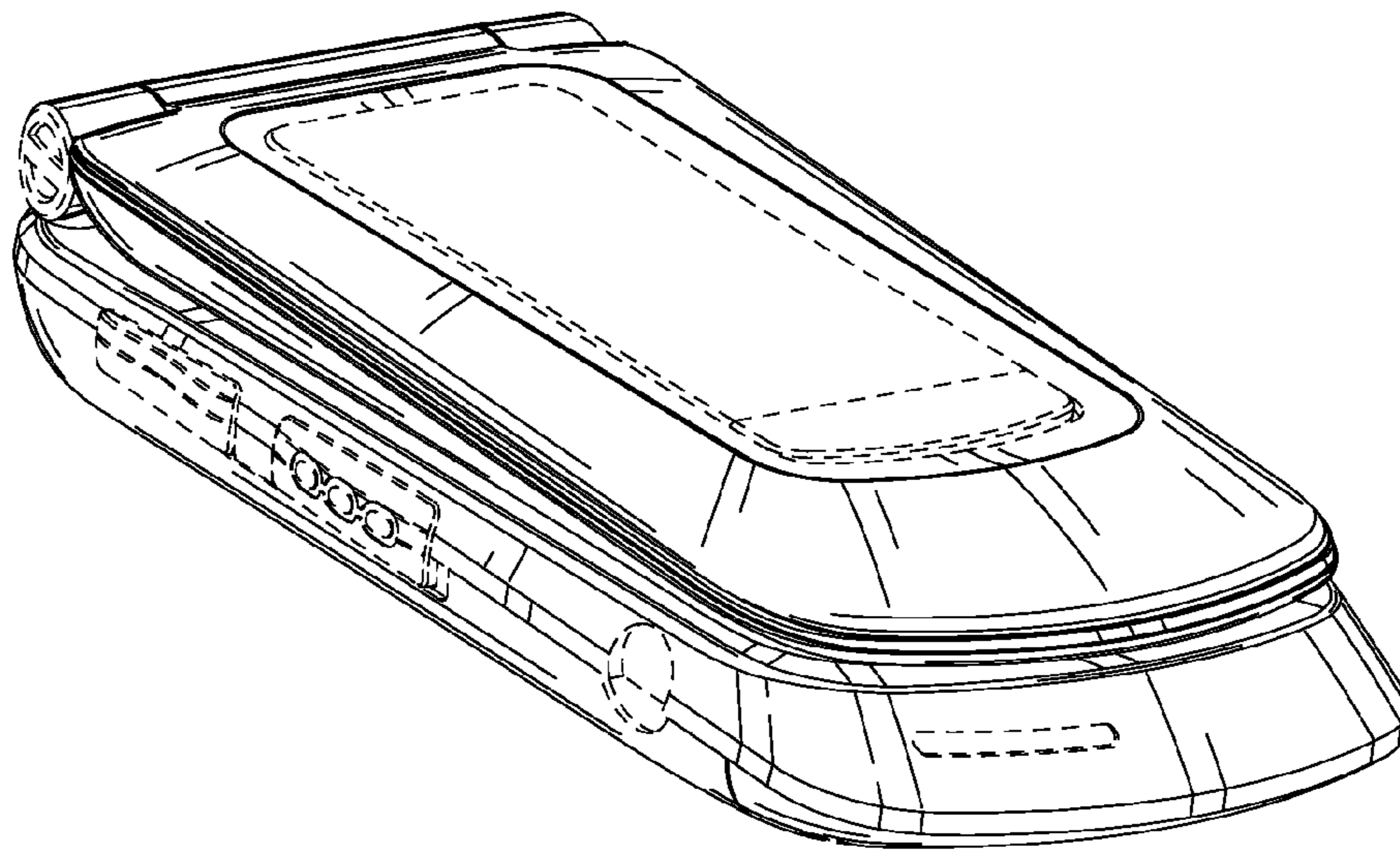


FIG. 1

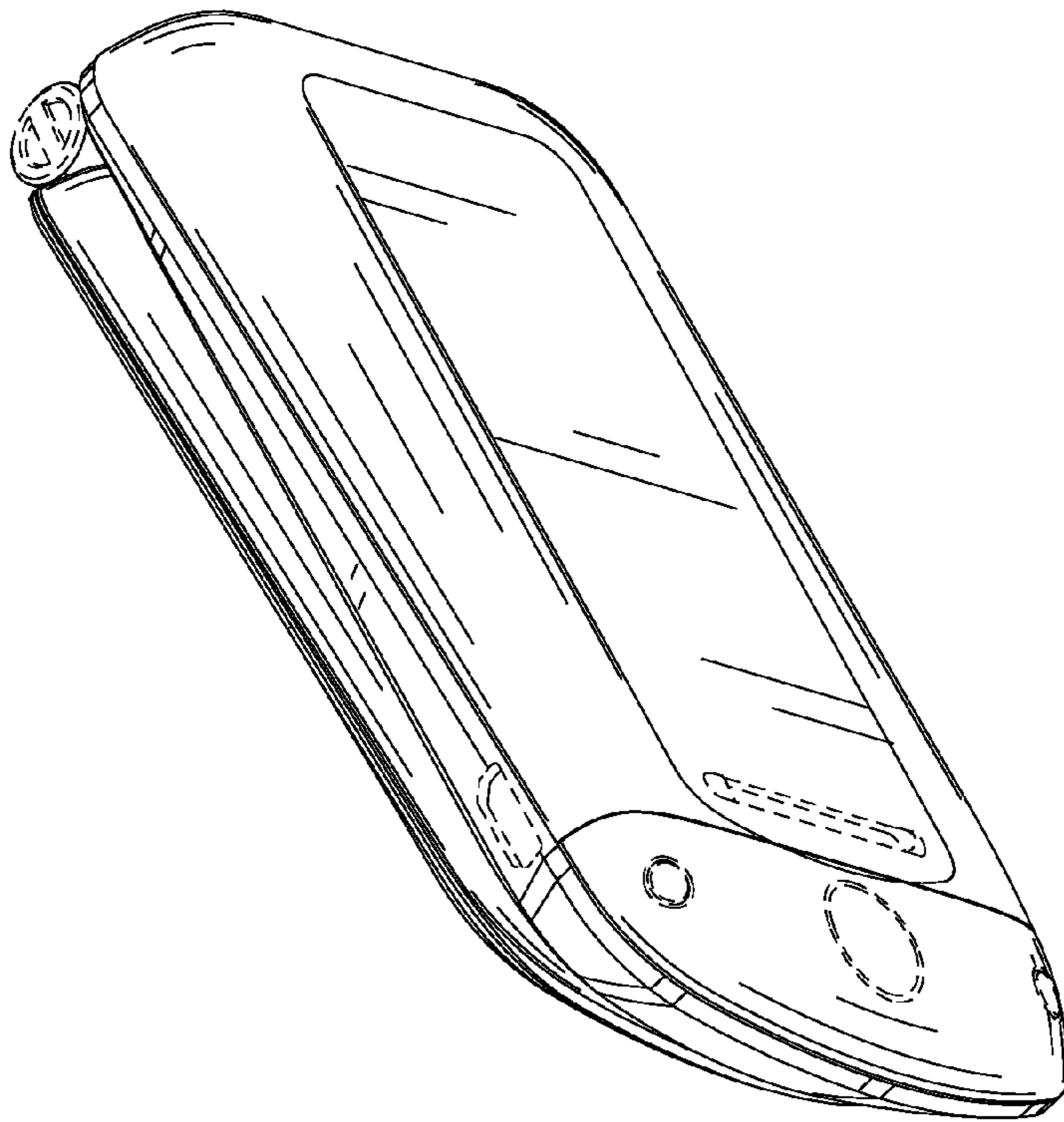


FIG. 2

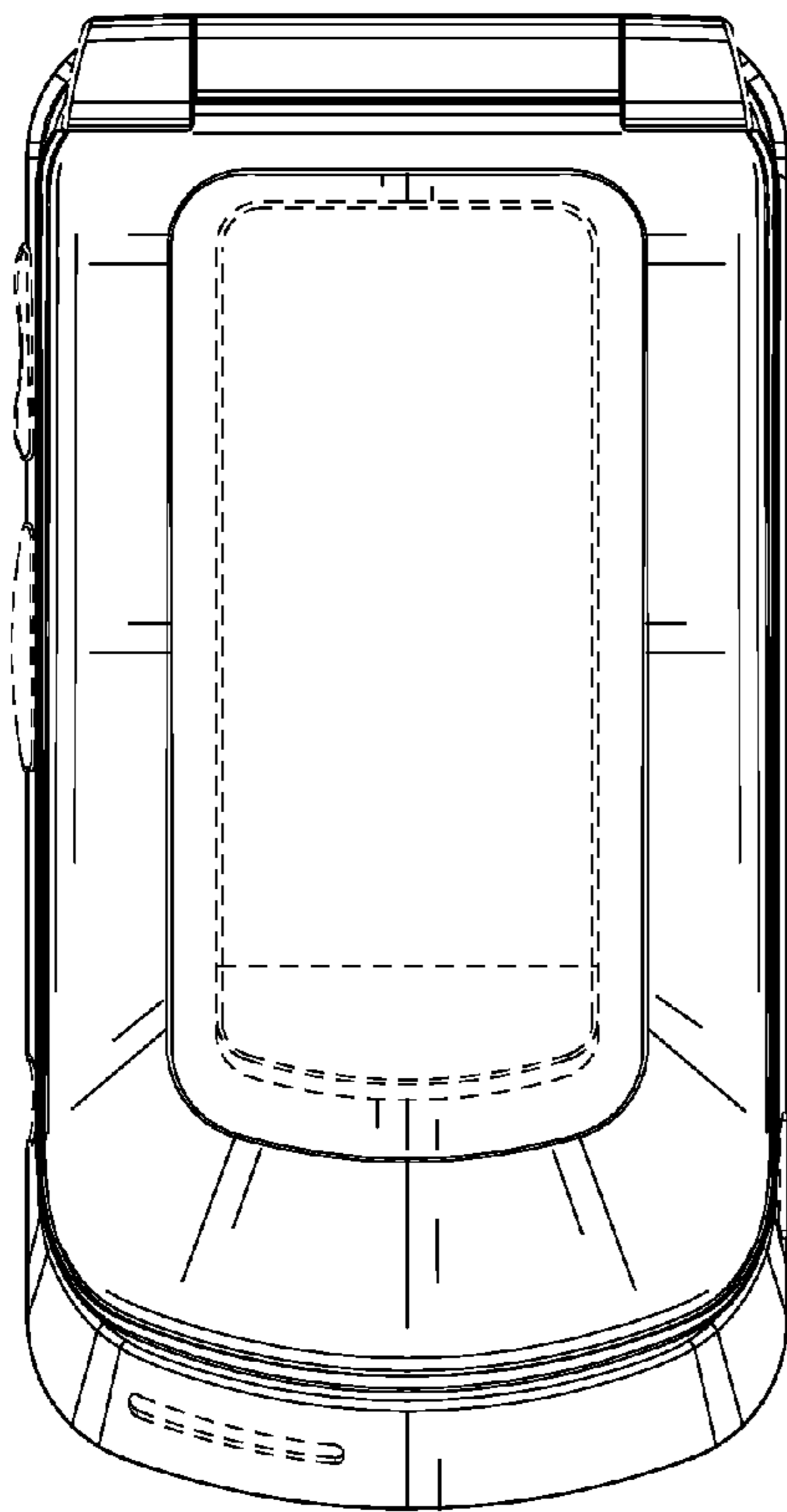


FIG. 3

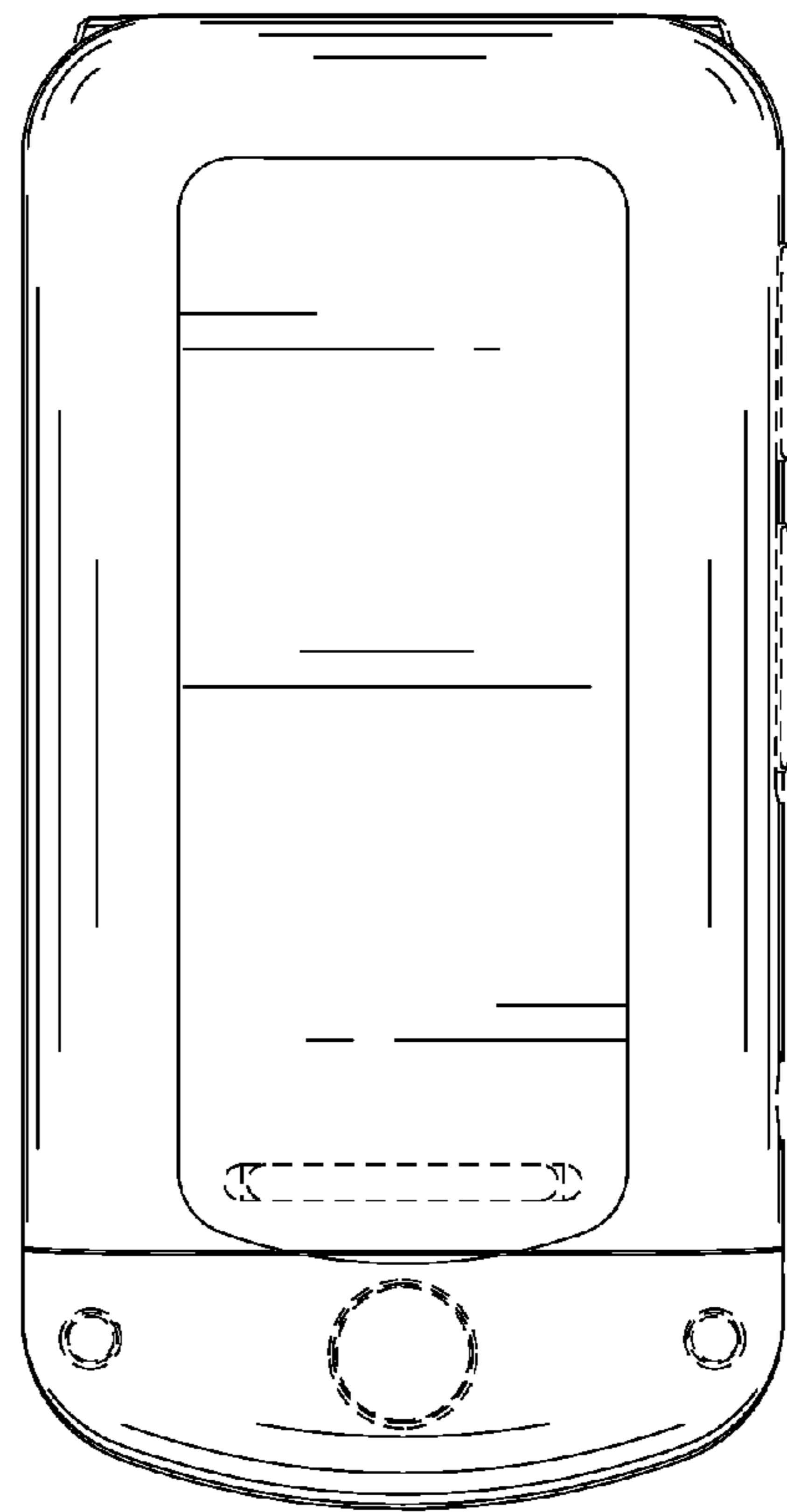


FIG. 4

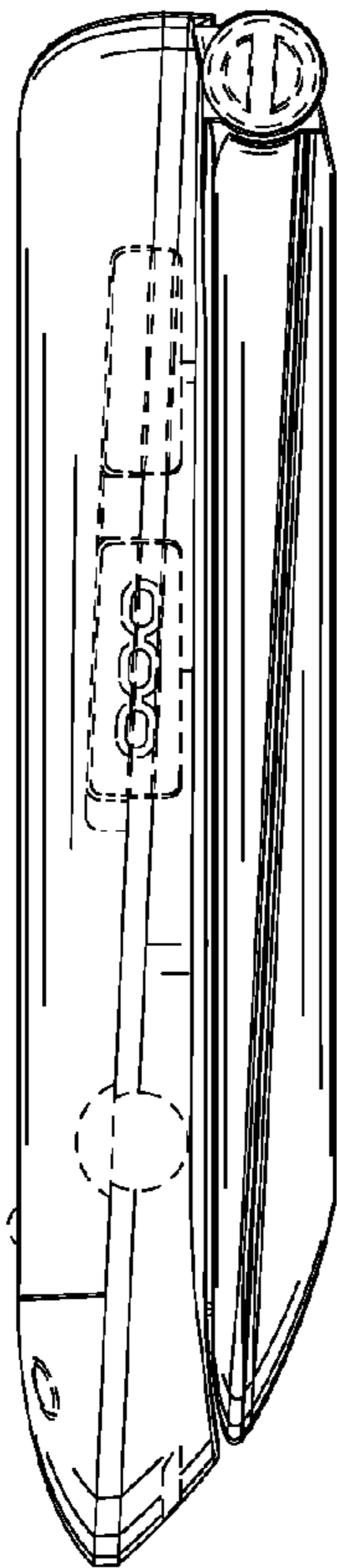


FIG. 5

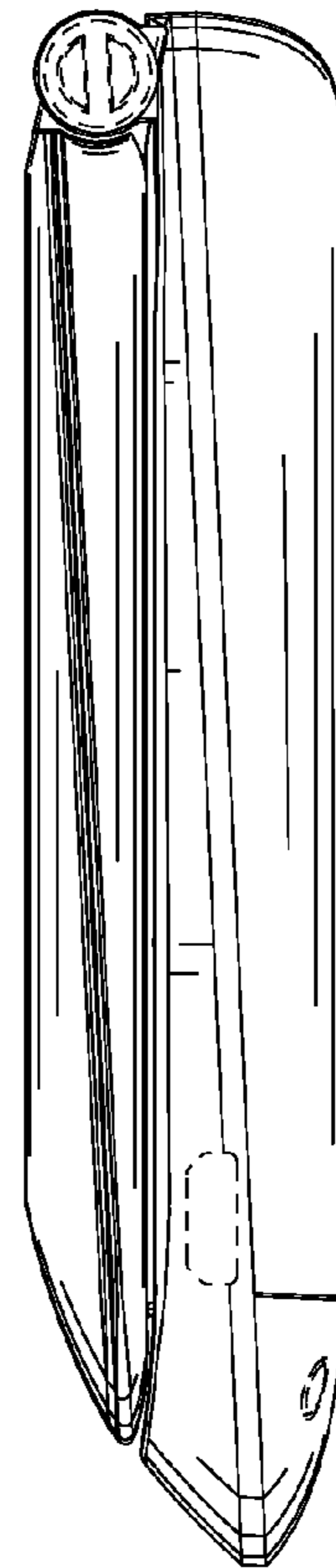


FIG. 6

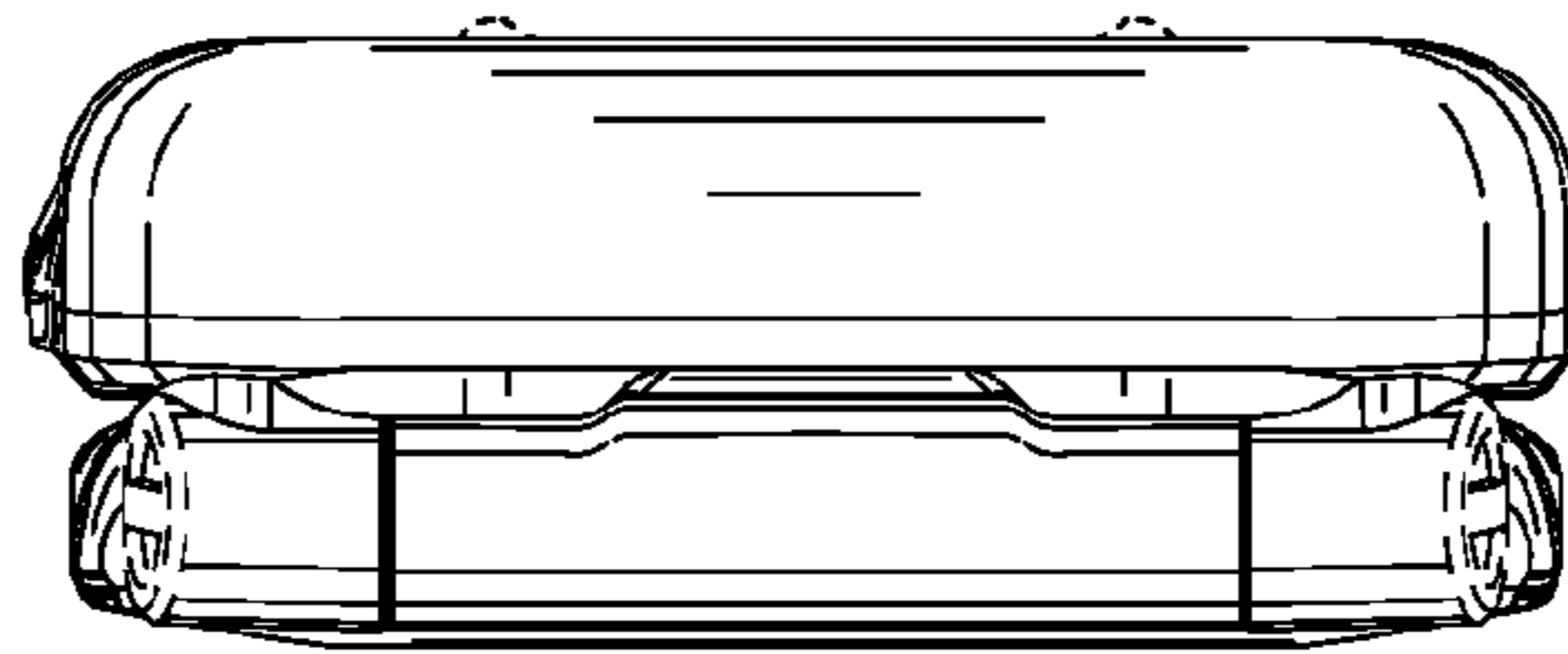


FIG. 7

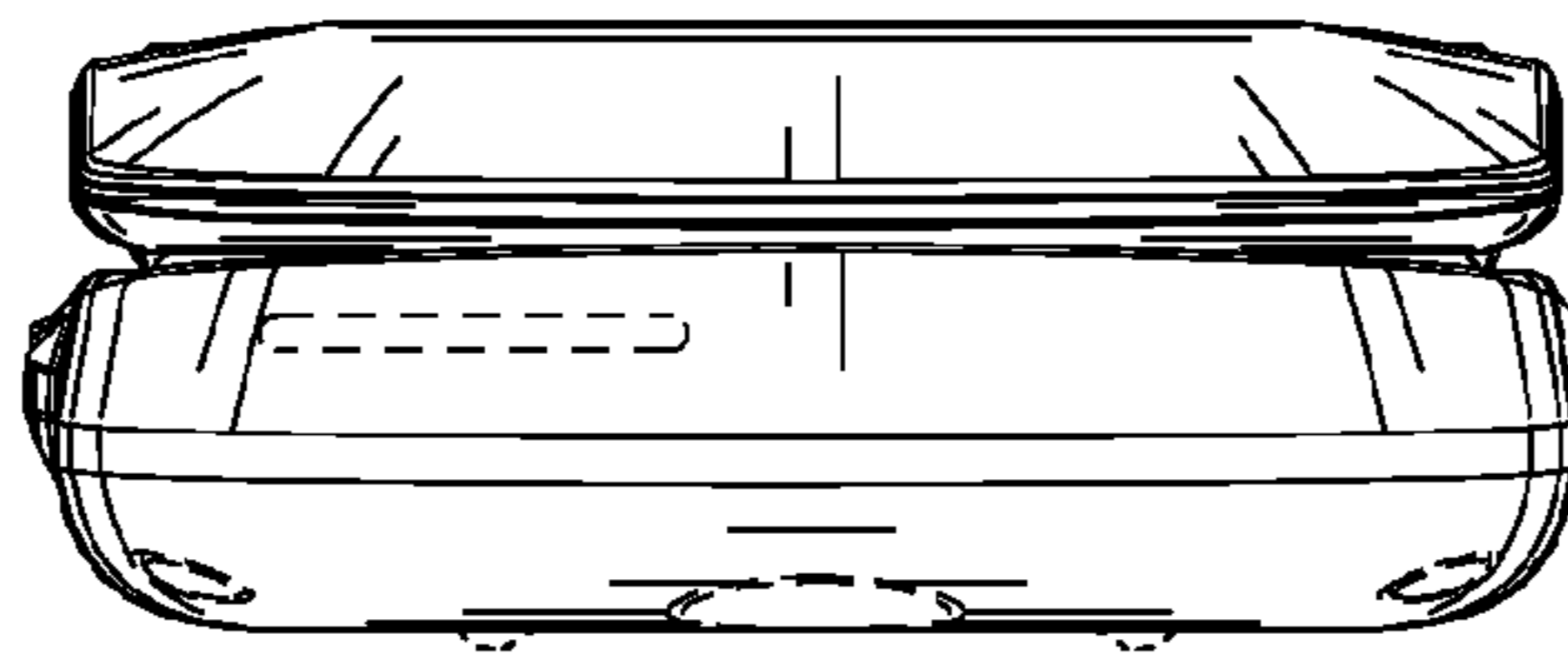


FIG. 8

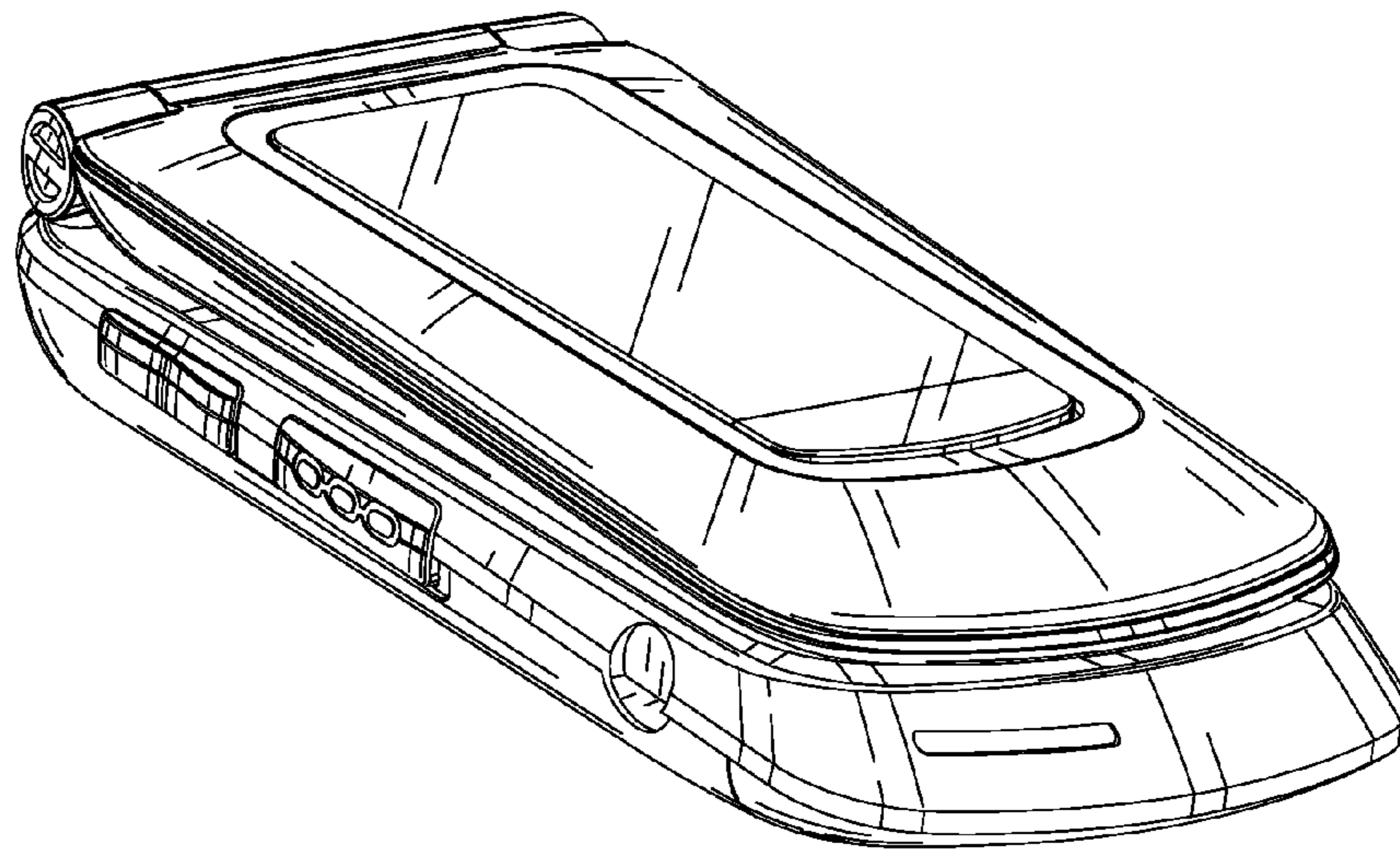


FIG. 9

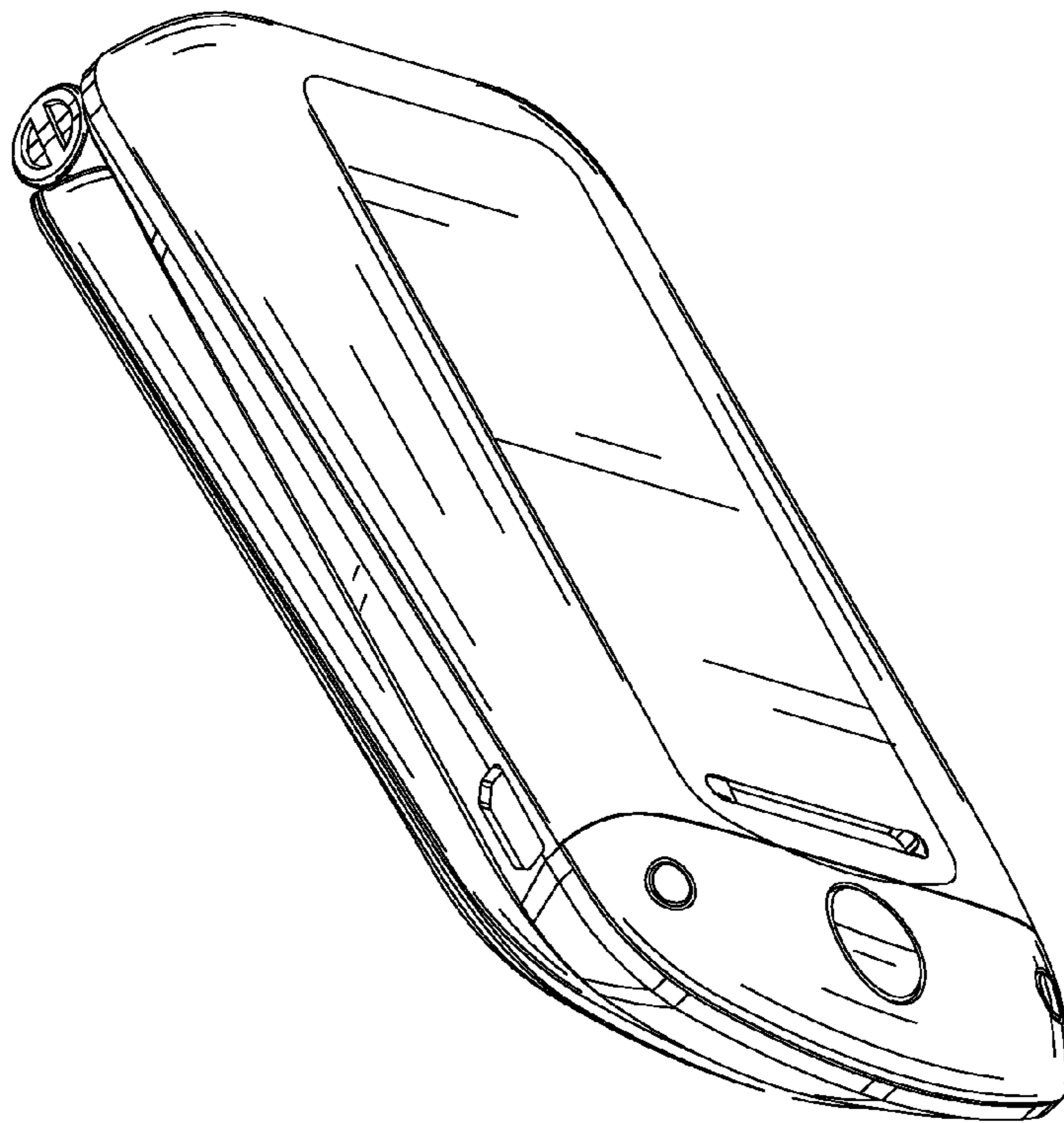


FIG. 10

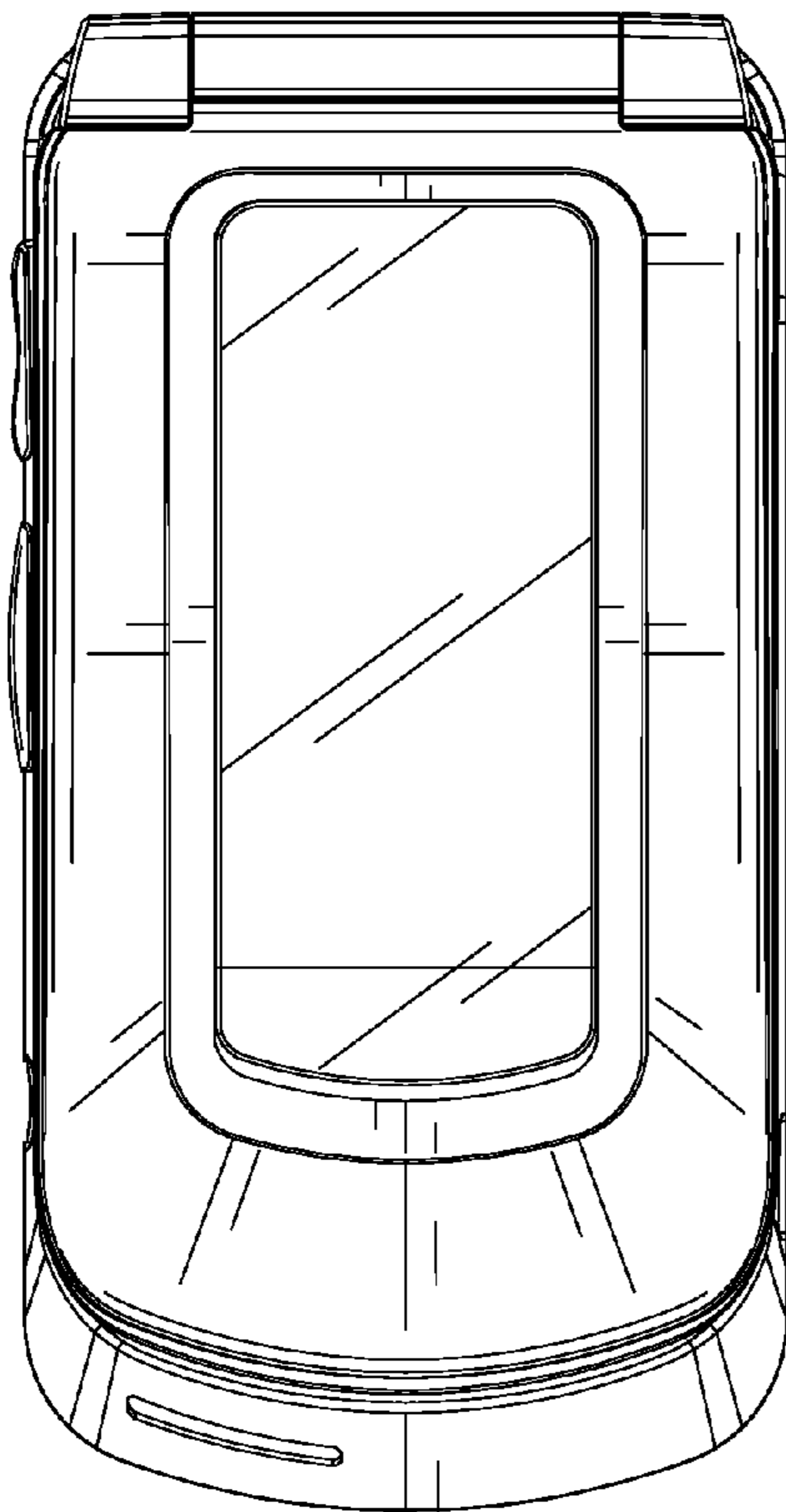


FIG. 11

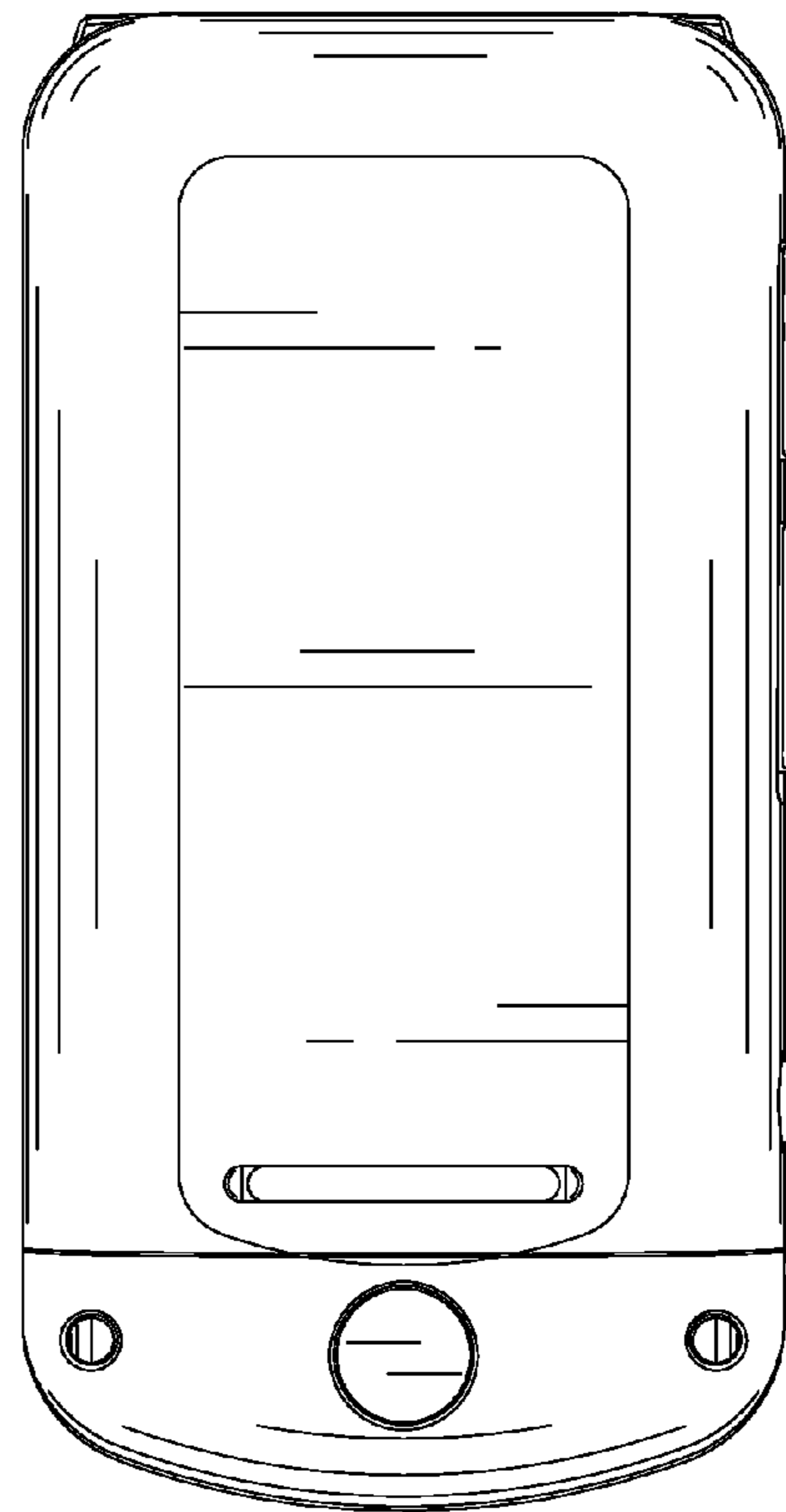


FIG. 12

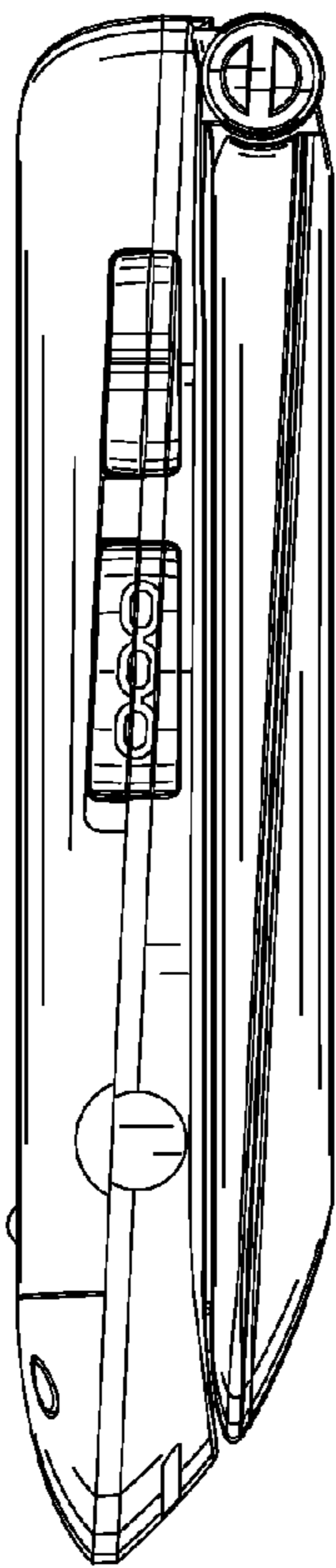


FIG. 13

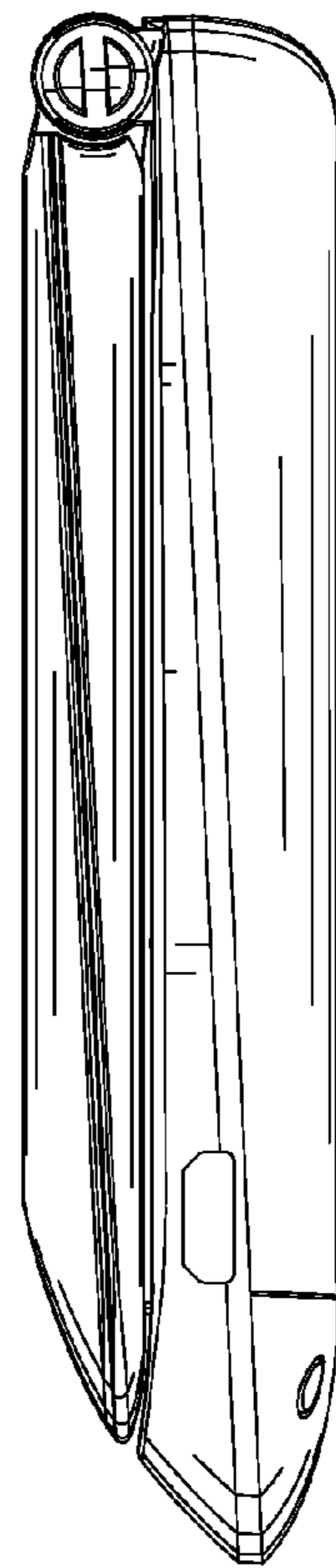


FIG. 14

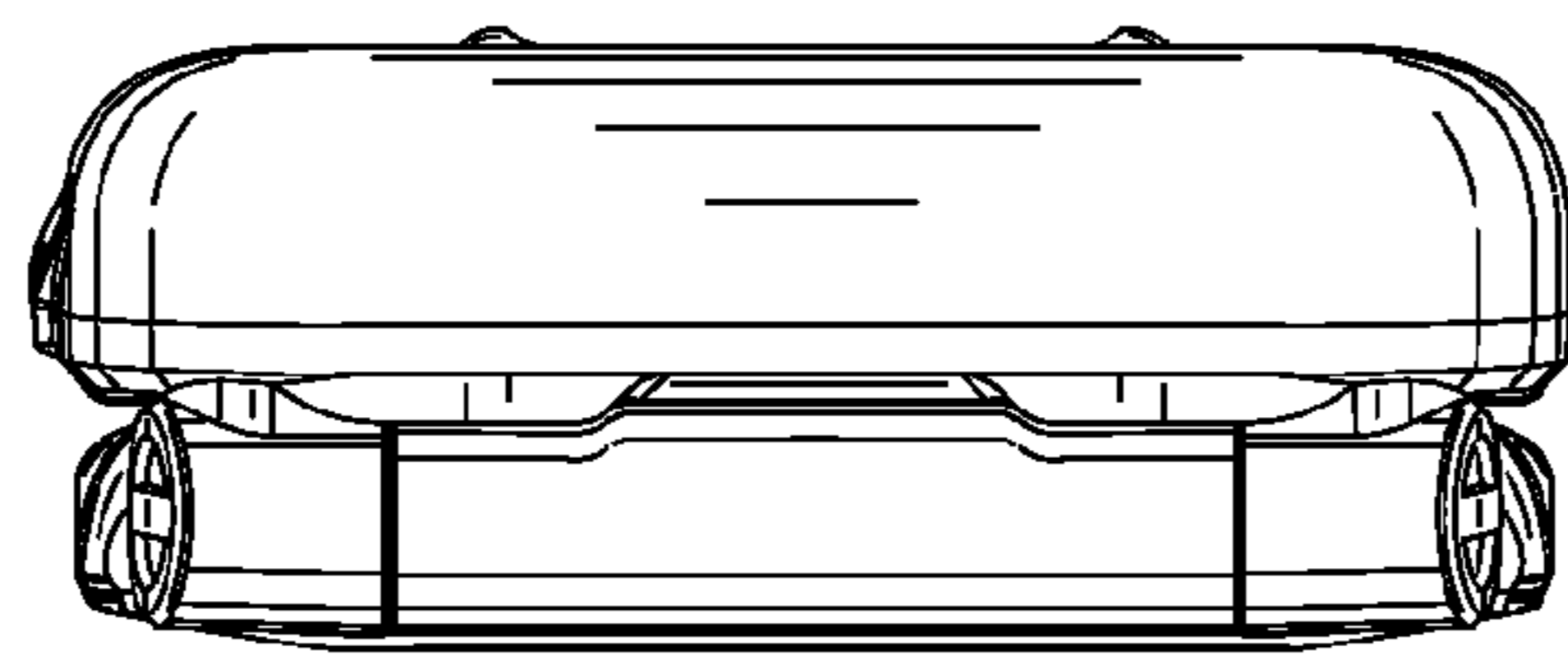


FIG. 15

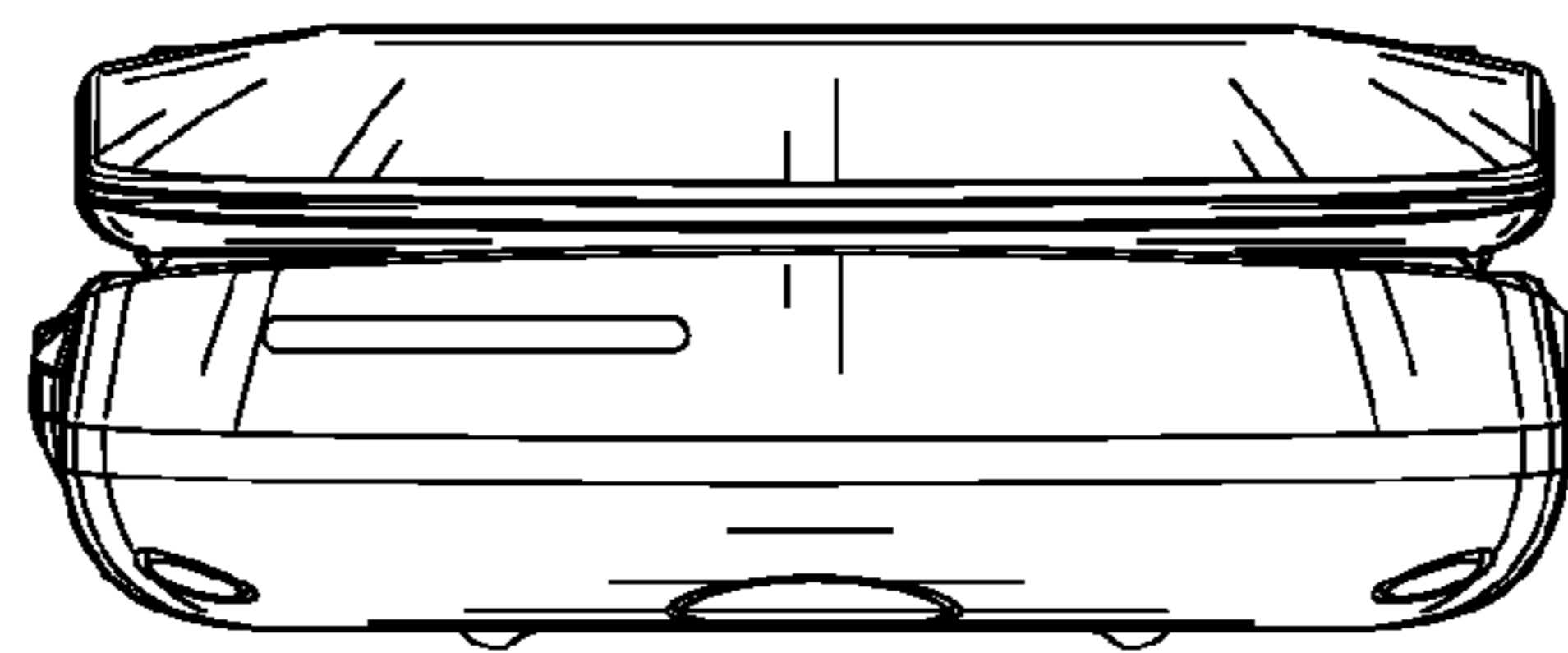


FIG. 16