



US00D643389S

(12) **United States Design Patent**
Lee et al.

(10) **Patent No.:** **US D643,389 S**
(45) **Date of Patent:** **** Aug. 16, 2011**

(54) **LED TELEVISION RECEIVER**
(75) Inventors: **Jung-Hyun Lee**, Seoul (KR); **Jun-Ho Yang**, Kyunggi-do (KR)
(73) Assignee: **Samsung Electronics Co., Ltd.**, Suwon, Kyunggi-Do (KR)
(**) Term: **14 Years**
(21) Appl. No.: **29/373,050**
(22) Filed: **Feb. 23, 2011**
(30) **Foreign Application Priority Data**

D528,115 S 9/2006 Yoon
D528,116 S 9/2006 Won et al.
D529,910 S 10/2006 Ota
D529,911 S * 10/2006 Yamashiro et al. D14/375
D532,764 S 11/2006 Kim et al.
D533,848 S 12/2006 Lee et al.
D534,510 S 1/2007 Kang et al.
D534,883 S 1/2007 Kang et al.
D535,267 S 1/2007 Kang et al.
D536,677 S 2/2007 Kim et al.
D537,079 S 2/2007 Park
D539,242 S 3/2007 Lee et al.
D539,281 S 3/2007 Kim et al.
D539,767 S 4/2007 Kang et al.
D540,277 S 4/2007 Kim et al.
D541,236 S 4/2007 Kim et al.

(Continued)

Nov. 30, 2010 (KR) 30-2010-0051672

(51) **LOC (9) Cl.** **14-03**
(52) **U.S. Cl.** **D14/126**
(58) **Field of Classification Search** D14/125-134,
D14/239, 371, 136, 374-377, 440, 450, 448,
D14/336, 342; 312/7.2; 348/836, 838, 180,
348/184, 325, 739; 341/12; 248/917-924,
248/465; 345/104, 133, 156, 168, 87, 173;
720/605, 669, 600, 655; 369/99, 197; 455/344,
455/347; D21/329, 515, 577, 622, 333, 433,
D21/448, 452, 450, 331; D6/477, 479, 300;
273/148 B; 446/484, 175, 356; D10/15,
D10/26

See application file for complete search history.

(56) **References Cited**

U.S. PATENT DOCUMENTS

D494,941 S 8/2004 Kim
D499,386 S 12/2004 Yang
D512,424 S 12/2005 Kim
D521,511 S 5/2006 Kim et al.
D521,996 S 5/2006 Kim et al.
D521,997 S 5/2006 Park et al.
D522,509 S 6/2006 Park et al.
D524,313 S 7/2006 Boo et al.
D527,003 S 8/2006 Kim et al.

OTHER PUBLICATIONS

U.S. Appl. No. 29/308,894, Applicant: Eui-Seok Kim, et al., filed Jul. 14, 2008 entitled LCD Monitor.

(Continued)

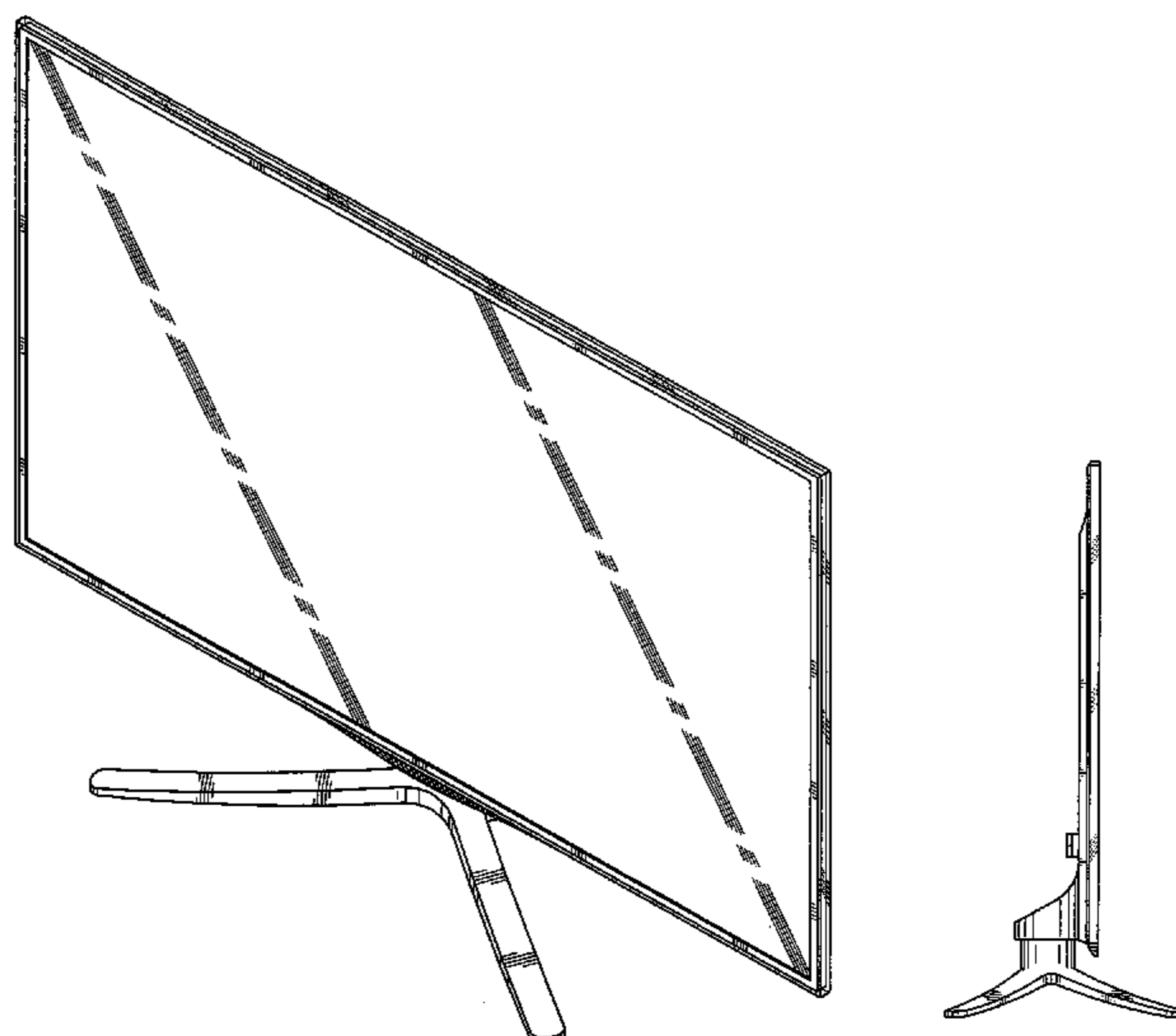
Primary Examiner — Raphael Barkai
(74) *Attorney, Agent, or Firm* — Flynn, Thiel, Boutell & Tanis, P.C.

(57) **CLAIM**
The ornamental design for a LED television receiver, as shown and described.

DESCRIPTION

FIG. 1 is a top front perspective view of a LED television receiver showing our new design;
FIG. 2 is a front elevational view thereof;
FIG. 3 is a rear elevational view thereof;
FIG. 4 is a left side elevational view thereof;
FIG. 5 is a right side elevational view thereof;
FIG. 6 is a top plan view thereof; and,
FIG. 7 is a bottom plan view thereof.

1 Claim, 4 Drawing Sheets



U.S. PATENT DOCUMENTS

D541,763 S	5/2007	Kim	
D542,746 S	5/2007	Kim	
D542,747 S	5/2007	Kim et al.	
D542,748 S	5/2007	Kim et al.	
D542,749 S	5/2007	Kim et al.	
D543,163 S	5/2007	Yang et al.	
D543,164 S	5/2007	Yang et al.	
D544,849 S	6/2007	Yang et al.	
D545,312 S	6/2007	Kim	
D545,313 S	6/2007	Kim	
D545,314 S	6/2007	Kim	
D545,315 S	6/2007	Kim	
D545,316 S	6/2007	Kim	
D545,776 S	7/2007	Kwon	
D545,820 S	7/2007	Won et al.	
D546,331 S	7/2007	Kim	
D547,276 S	7/2007	Yang et al.	
D547,313 S	7/2007	Kim	
D548,205 S	8/2007	Kim et al.	
D548,206 S	8/2007	Han	
D548,708 S	8/2007	Park et al.	
D551,186 S	9/2007	Yang et al.	
D551,194 S	9/2007	Kim et al.	
D551,636 S	9/2007	Kang et al.	
D553,108 S	10/2007	Won et al.	
D554,601 S	11/2007	Won et al.	
D556,159 S	11/2007	Park et al.	
D556,160 S	11/2007	Lee et al.	
D556,709 S	12/2007	Kim et al.	
D556,755 S	12/2007	Lee et al.	
D556,756 S	12/2007	Kataoka et al.	
D556,757 S	12/2007	Kim et al.	
D558,201 S	12/2007	Park et al.	
D558,696 S	1/2008	Park et al.	
D561,130 S	2/2008	Won et al.	
D561,134 S	2/2008	Kim et al.	
D561,135 S	2/2008	Won et al.	
D561,136 S	2/2008	Won et al.	
D564,472 S	3/2008	Won et al.	
D564,990 S	* 3/2008	Ueno	D14/126
D565,521 S	4/2008	Yang et al.	
D567,198 S	4/2008	Yang et al.	
D567,199 S	4/2008	Kim et al.	
D569,818 S	5/2008	Kim et al.	
D570,841 S	6/2008	Kim et al.	
D572,680 S	7/2008	Lee et al.	
D572,682 S	7/2008	Won et al.	
D573,118 S	7/2008	Yang et al.	
D573,559 S	7/2008	Kim et al.	
D575,247 S	8/2008	Lee	
D576,622 S	9/2008	Park	
D579,889 S	11/2008	Noh	
D582,365 S	12/2008	Yang et al.	
D582,366 S	12/2008	Yang et al.	
D582,867 S	12/2008	Song et al.	
D584,258 S	1/2009	Yang et al.	
D584,309 S	1/2009	Kim et al.	
D584,310 S	1/2009	Kim et al.	
D584,729 S	1/2009	Kim et al.	
D586,811 S	2/2009	Kim et al.	
D587,712 S	3/2009	Park et al.	
D592,621 S	5/2009	Han et al.	
D593,974 S	6/2009	Yang et al.	
D596,596 S	* 7/2009	Honda	D14/126
D597,041 S	7/2009	Cho et al.	
D597,977 S	8/2009	Won et al.	
D597,978 S	8/2009	Won et al.	
D601,104 S	9/2009	Kim	
D603,816 S	11/2009	Kim et al.	
D603,817 S	11/2009	Kim et al.	
D605,148 S	12/2009	Boo et al.	
D605,149 S	12/2009	Kim et al.	
D605,150 S	12/2009	Kim	
D607,426 S	1/2010	Yang	
D608,311 S	1/2010	Lee et al.	
D608,314 S	1/2010	Boo et al.	
D609,658 S	2/2010	Kim et al.	
D610,143 S	2/2010	Park et al.	
D614,596 S	4/2010	Won et al.	
D615,509 S	* 5/2010	Song et al.	D14/126
D615,510 S	5/2010	Won et al.	
D615,511 S	5/2010	Shin et al.	
D615,938 S	5/2010	Song et al.	
D615,939 S	* 5/2010	Honda	D14/126
D616,842 S	6/2010	Kim	
D616,884 S	6/2010	Kim et al.	
D619,979 S	7/2010	Lee et al.	
D620,461 S	7/2010	Han et al.	
D620,901 S	8/2010	Won et al.	
D620,902 S	8/2010	Kim et al.	
D620,903 S	8/2010	Song et al.	
D622,235 S	8/2010	Lee et al.	
D624,035 S	9/2010	Lee et al.	
D624,036 S	9/2010	Lee et al.	
D624,512 S	* 9/2010	Kim et al.	D14/126
D625,278 S	10/2010	Kim et al.	
D626,101 S	10/2010	Kim et al.	
D626,924 S	* 11/2010	Miyaji	D14/126
D630,209 S	1/2011	Lee et al.	
D632,291 S	2/2011	Park	
D634,323 S	3/2011	Park et al.	
D634,324 S	3/2011	Park et al.	
D634,745 S	3/2011	Park et al.	

OTHER PUBLICATIONS

U.S. Appl. No. 29/349,398, Applicant: Ok-Keun Lee, et al., filed Mar. 31, 2010 entitled LED Monitor.
 U.S. Appl. No. 29/349,399, Applicant: Sang-Il Park, filed Mar. 31, 2010 entitled LCD Monitor.
 U.S. Appl. No. 29/349,396, Applicant: Young-Jin Seo, et al., filed Mar. 31, 2010 entitled LED Monitor.
 U.S. Appl. No. 29/372,111, Applicant: Jae-Seung Song, et al., filed Oct. 15, 2010 entitled LED Monitor With TV Receiver.
 U.S. Appl. No. 29/373,058, Applicant: Jung-Hyun Lee, et al., filed Feb. 23, 2011 entitled LED Television Receiver.
 U.S. Appl. No. 29/373,051, Applicant: Kyu-Mi Han, et al., filed Feb. 23, 2011 entitled LED Television Receiver.

* cited by examiner

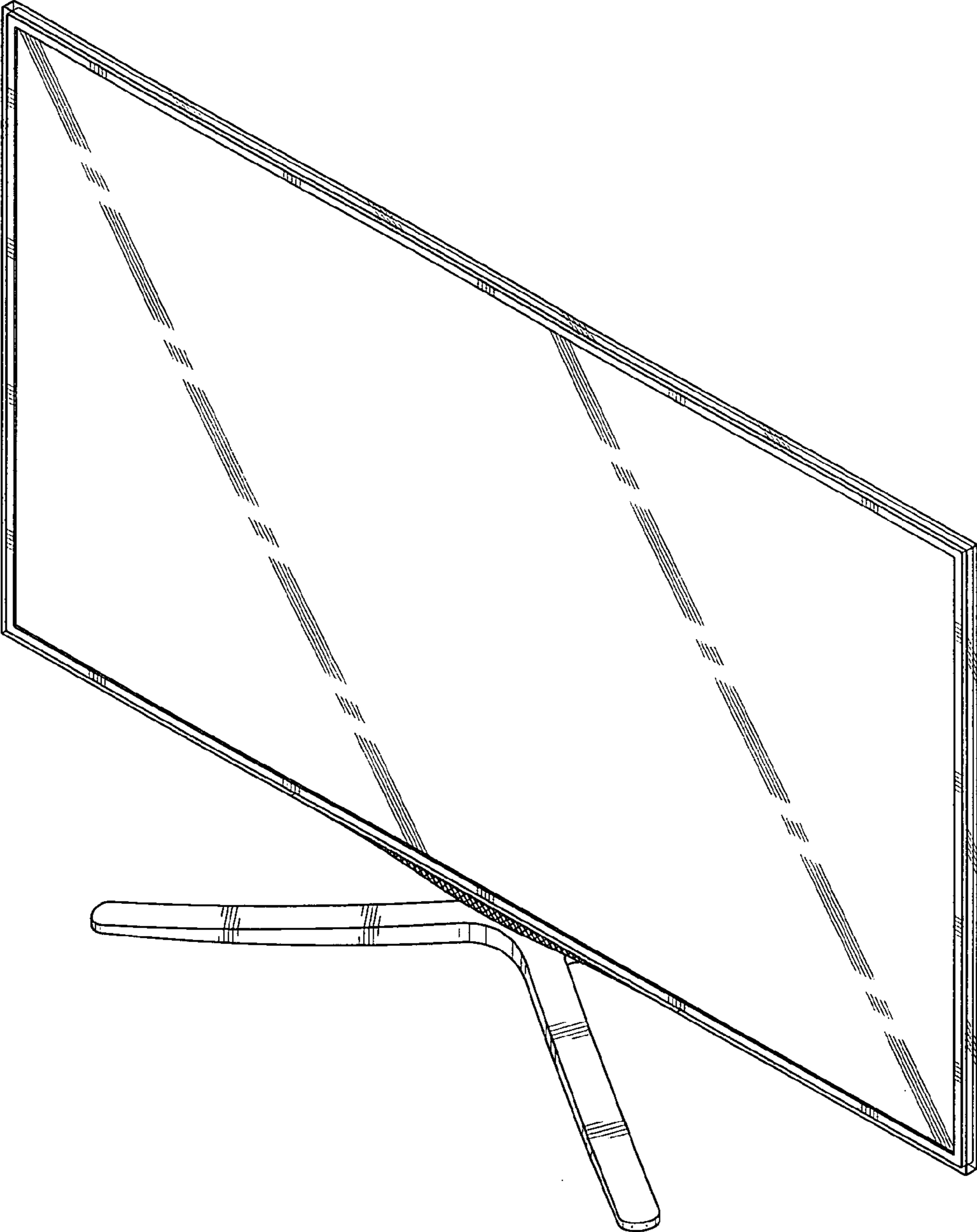


FIG.1

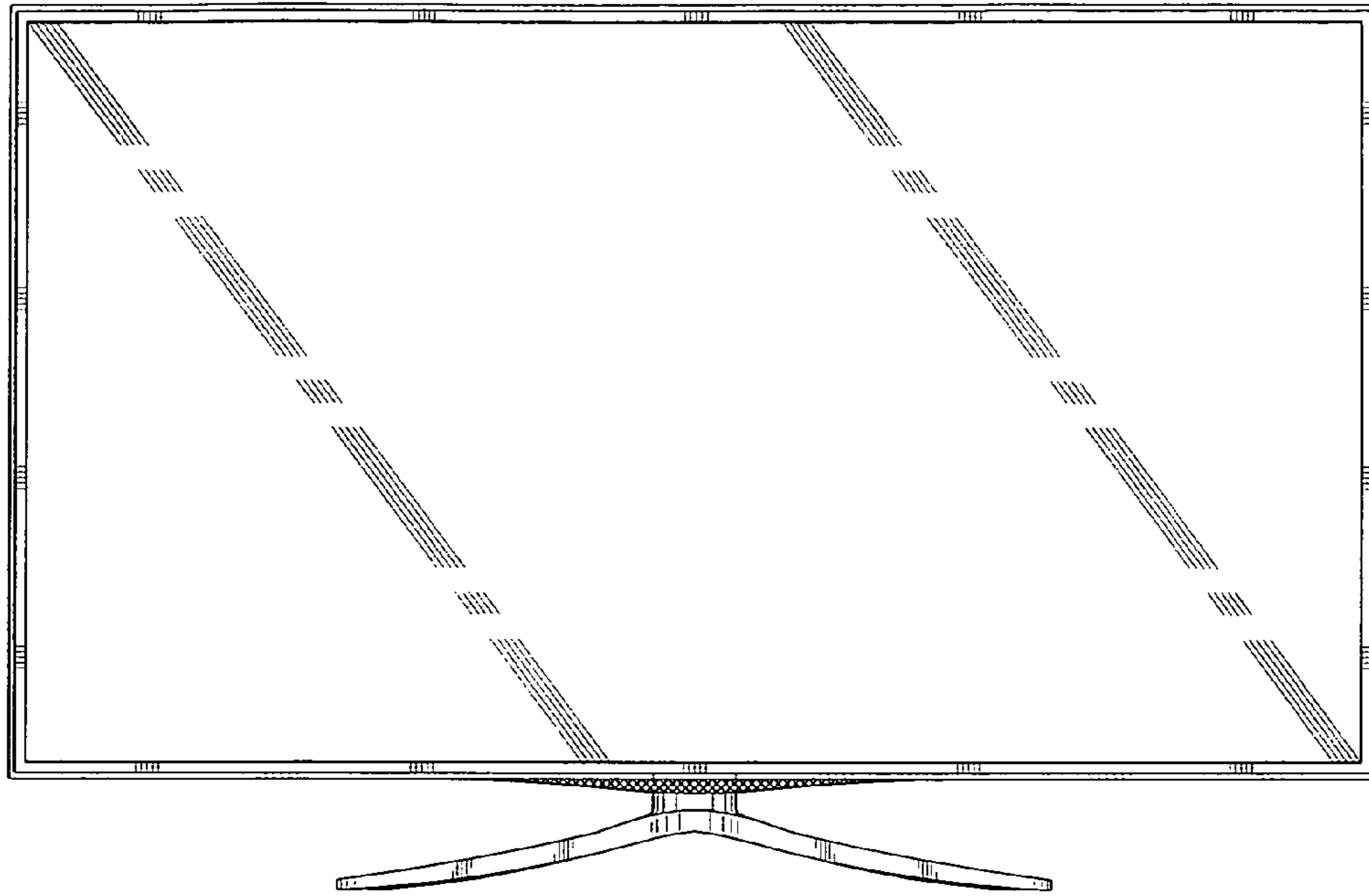


FIG.2

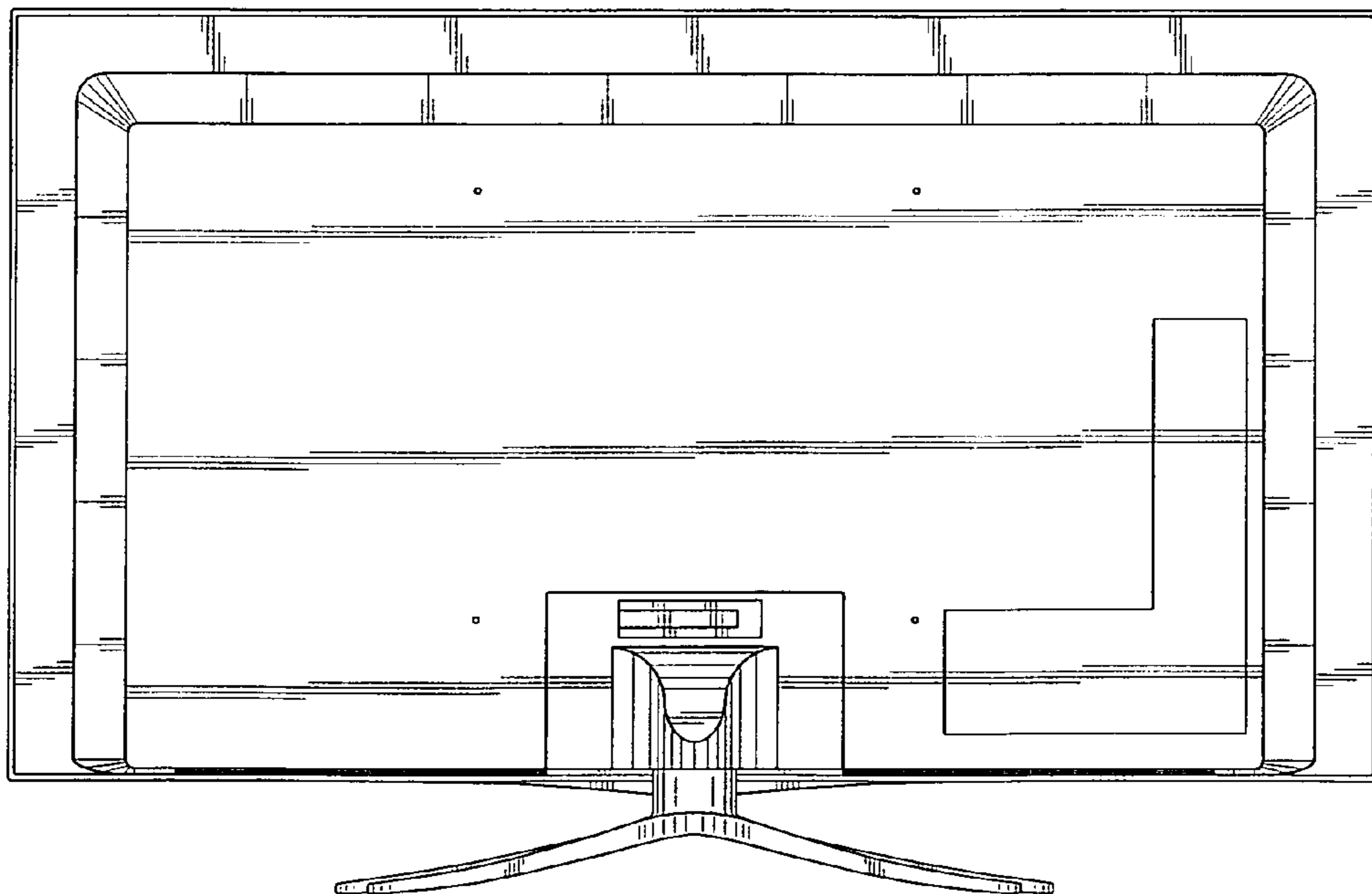


FIG.3

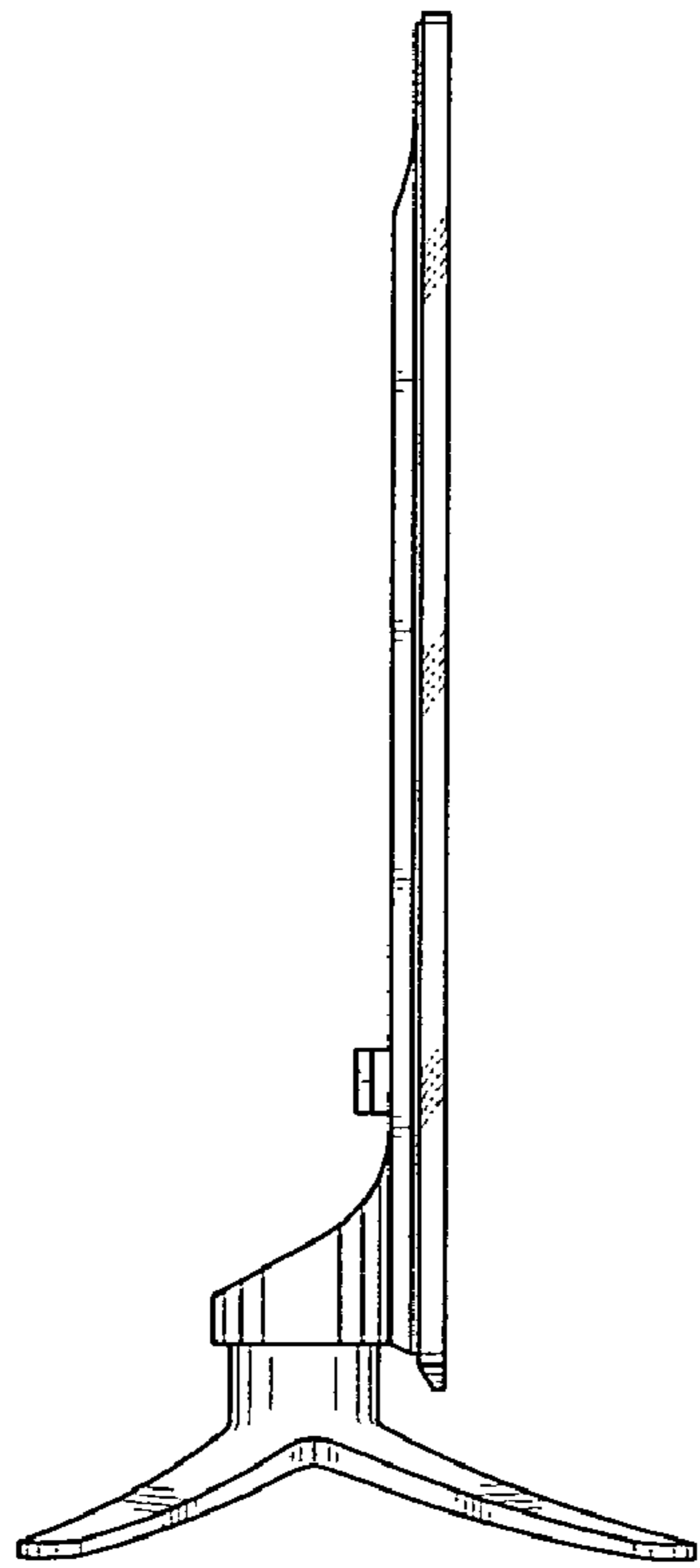


FIG. 4

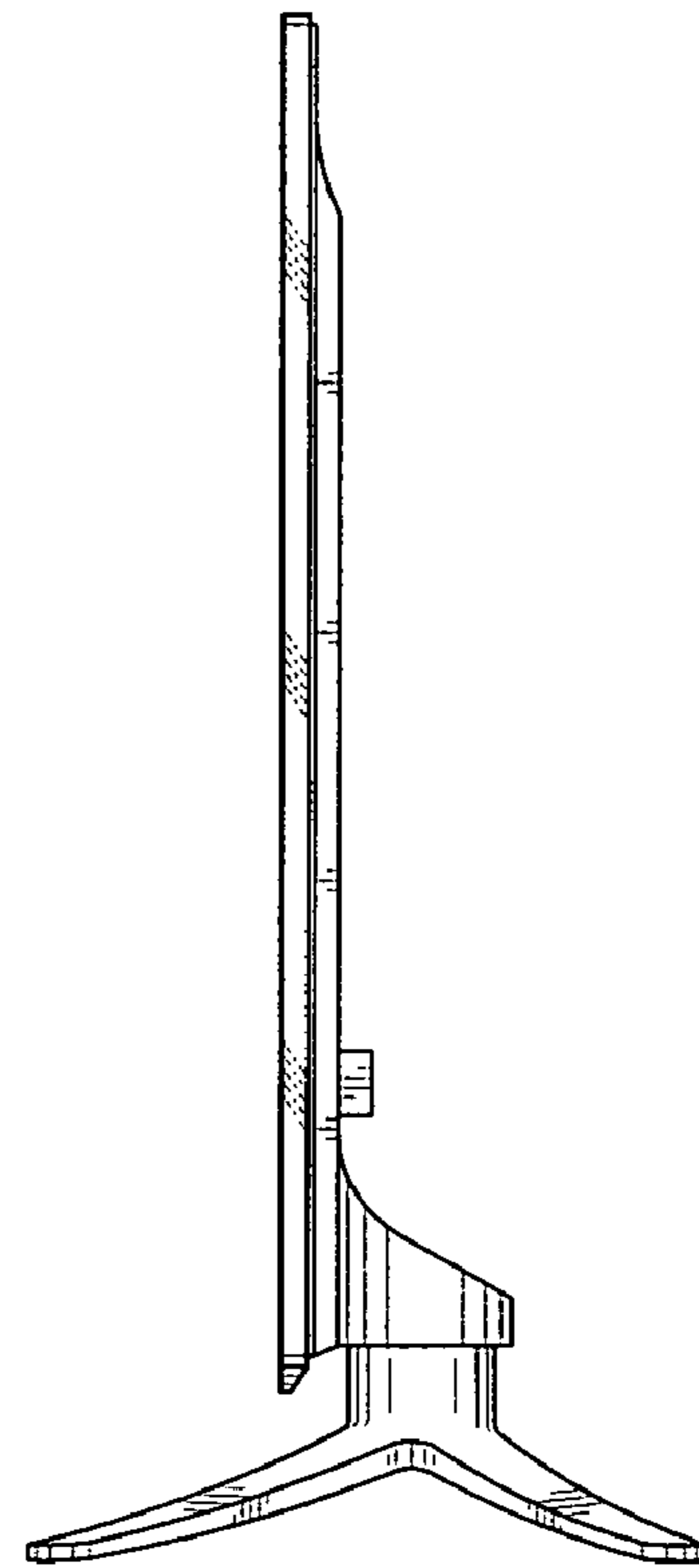


FIG. 5

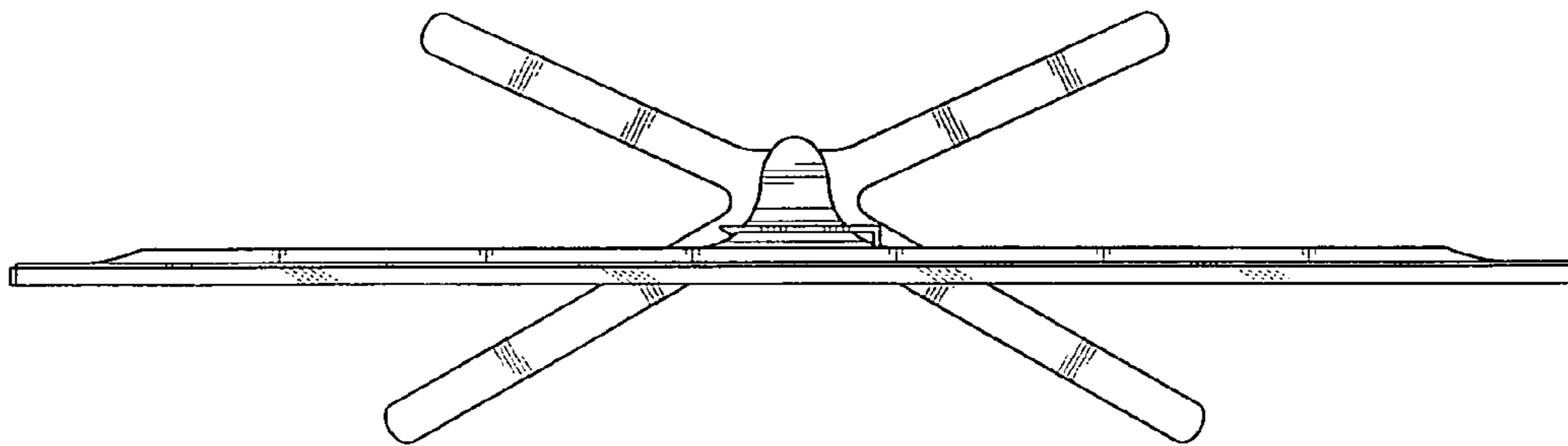


FIG. 6

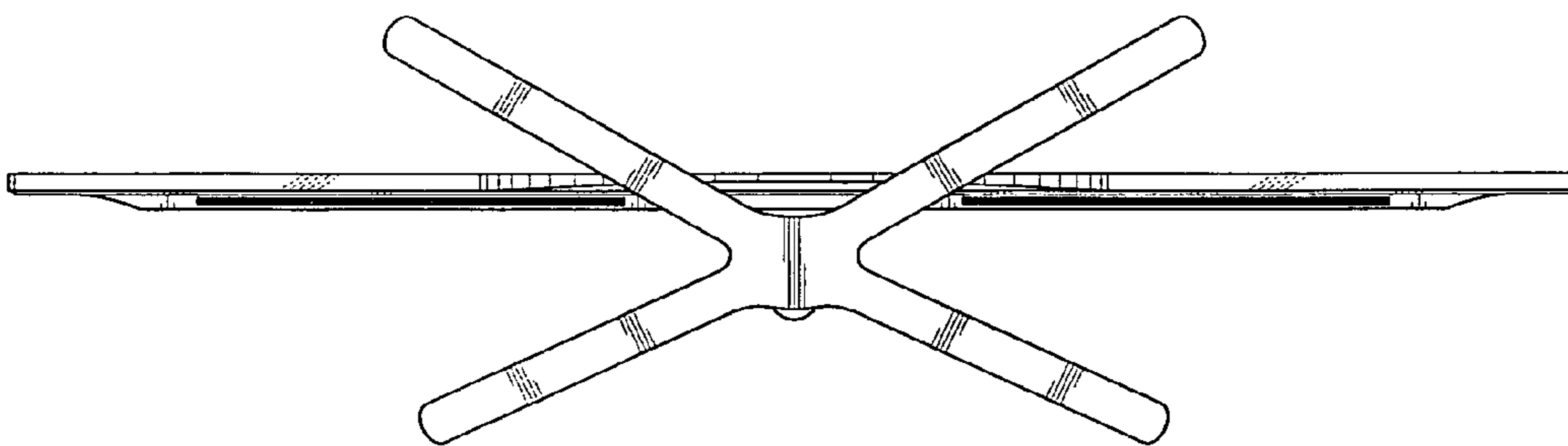


FIG. 7