



US00D643388S

(12) **United States Design Patent**  
**Takami et al.**

(10) **Patent No.:** **US D643,388 S**

(45) **Date of Patent:** **\*\* \*Aug. 16, 2011**

(54) **TELEVISION APPARATUS**

(75) Inventors: **Mitsuru Takami**, Osaka (JP); **Tomohiro Ohba**, Kyoto (JP)

(73) Assignee: **Panasonic Corporation**, Osaka (JP)

(\*\*) Term: **14 Years**

(21) Appl. No.: **29/372,994**

(22) Filed: **Feb. 14, 2011**

(30) **Foreign Application Priority Data**

Dec. 10, 2010 (JP) ..... 2010-029451

(51) **LOC (9) Cl.** ..... **14-03**

(52) **U.S. Cl.** ..... **D14/126**

(58) **Field of Classification Search** ..... D14/125-134,  
D14/239, 371, 136, 374-377, 440, 450, 448,  
D14/336, 342; 312/7.2; 348/836, 838, 180,  
348/184, 325, 739; 341/12; 248/917-924,  
248/465; 345/104, 133, 156, 168, 87, 173;  
720/605, 669, 600, 655; 369/99, 197; 455/344,  
455/347; D21/329, 515, 577, 622, 333, 433,  
D21/448, 452, 450, 331; D6/477, 479, 300;  
273/148 B; 446/484, 175, 356; D10/15,  
D10/26

See application file for complete search history.

(56) **References Cited**

**U.S. PATENT DOCUMENTS**

D534,139 S \* 12/2006 Yokota ..... D14/126  
D568,842 S \* 5/2008 Iijima ..... D14/126  
D569,816 S \* 5/2008 Fujiki ..... D14/126

(Continued)

**FOREIGN PATENT DOCUMENTS**

JP D1339185 9/2008

(Continued)

**OTHER PUBLICATIONS**

A picture from a website (<http://product.pcpop.cpm/000280073/Picture/003623260.html>) having copyright date of 1998-2010.

*Primary Examiner* — Raphael Barkai

(74) *Attorney, Agent, or Firm* — Brinks Hofer Gilson & Lione

(57) **CLAIM**

We claim the ornamental design for a television apparatus, as shown and described.

**DESCRIPTION**

The file of this patent contains at least one drawing executed in color. Copies of this patent with color drawings will be provided by the Office upon request and payment of the necessary fee.

FIG. 1 is a front perspective view of a television apparatus of the present invention;

FIG. 2 is a front view thereof;

FIG. 3 is a rear view thereof;

FIG. 4 is a first side view thereof;

FIG. 5 is a second side view thereof;

FIG. 6 is a top view thereof;

FIG. 7 is a bottom view thereof;

FIG. 8 is a cross-section view taken along the line 8—8 of FIG. 2;

FIG. 9 is a cross-section view taken along the line 9—9 of FIG. 2;

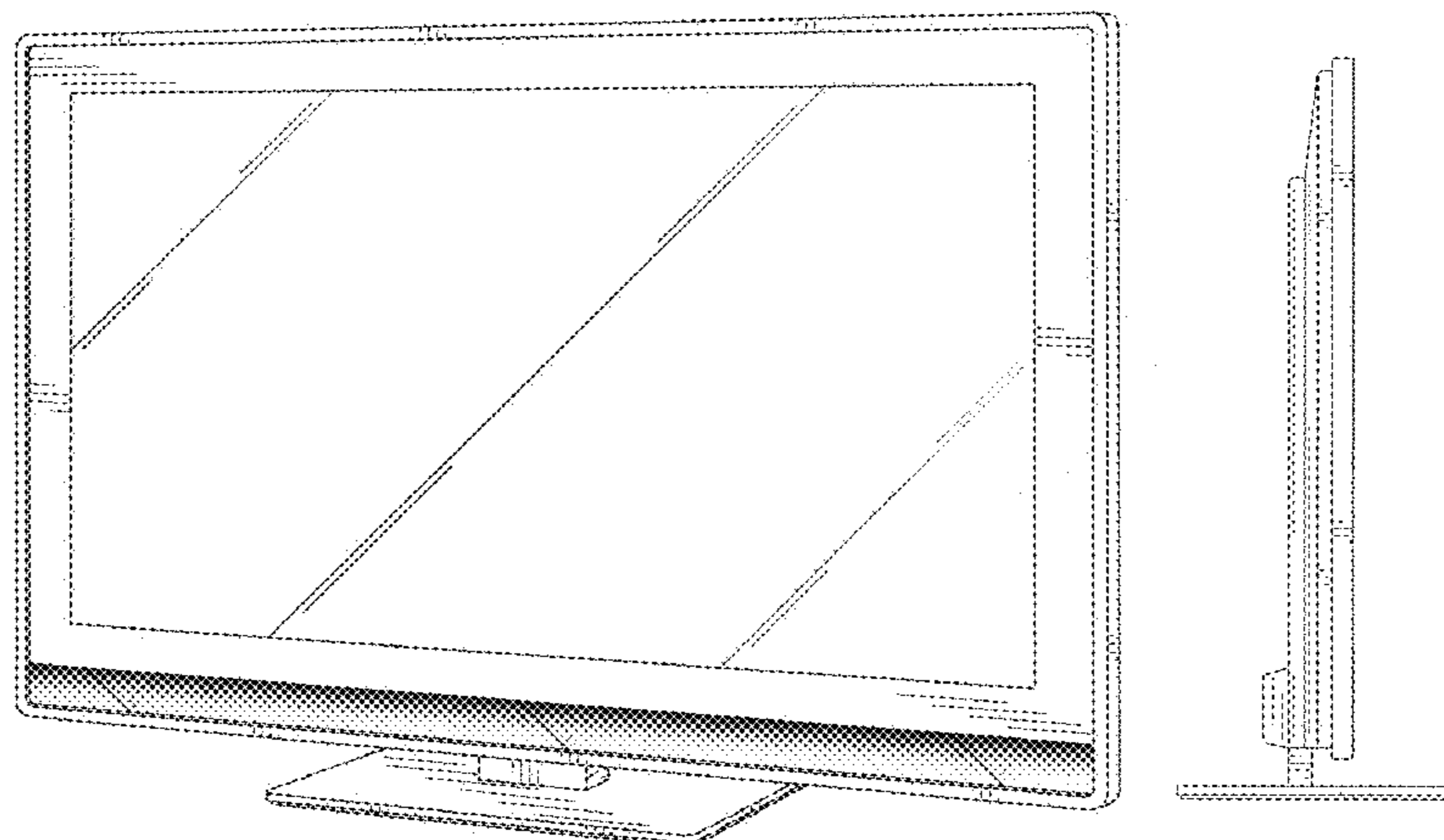
FIG. 10 is a cross-section view taken along the line 10—10 of FIG. 2; and,

FIG. 11 is an enlarged view of a portion of the front perspective view thereof.

In FIGS. 1, 2 and 11, color shown in the horizontal strip located at the bottom of the lower screen margin is a part of the claimed design. Applicants disclaim any colors, contrasts or textures implied in the remaining parts of the design by the background media, on which the design is printed or shown, as these form no part of the claimed design.

The oblique lines shown in the colored screen margin are surface shading to show the contour of the surfaces, and the lines themselves are not a part of the colored claimed design.

**1 Claim, 5 Drawing Sheets**  
**(3 of 5 Drawing Sheet(s) Filed in Color)**



# US D643,388 S

Page 2

---

## U.S. PATENT DOCUMENTS

D603,817 S *	11/2009	Kim et al. ....	D14/126	JP	D1354667	3/2009
D618,639 S *	6/2010	Ho et al. ....	D14/126	JP	D1367994	8/2009
D633,453 S *	3/2011	Yokota et al. ....	D14/126	JP	D1368018	8/2009
				JP	D1368035	8/2009
				JP	D1387213	5/2010

## FOREIGN PATENT DOCUMENTS

JP	D1348298	1/2009
JP	D1354025	3/2009

\* cited by examiner

FIG.1

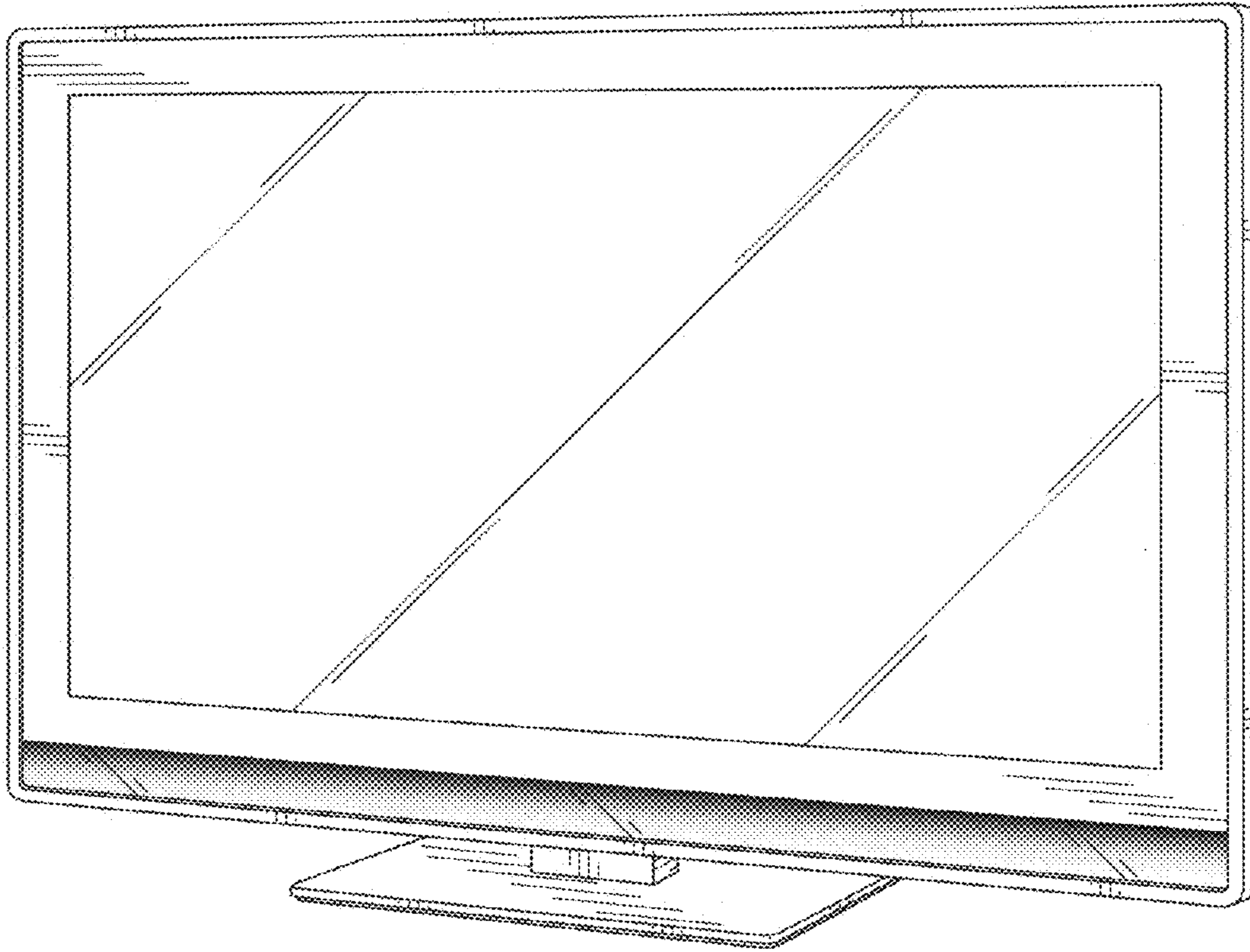


FIG.2

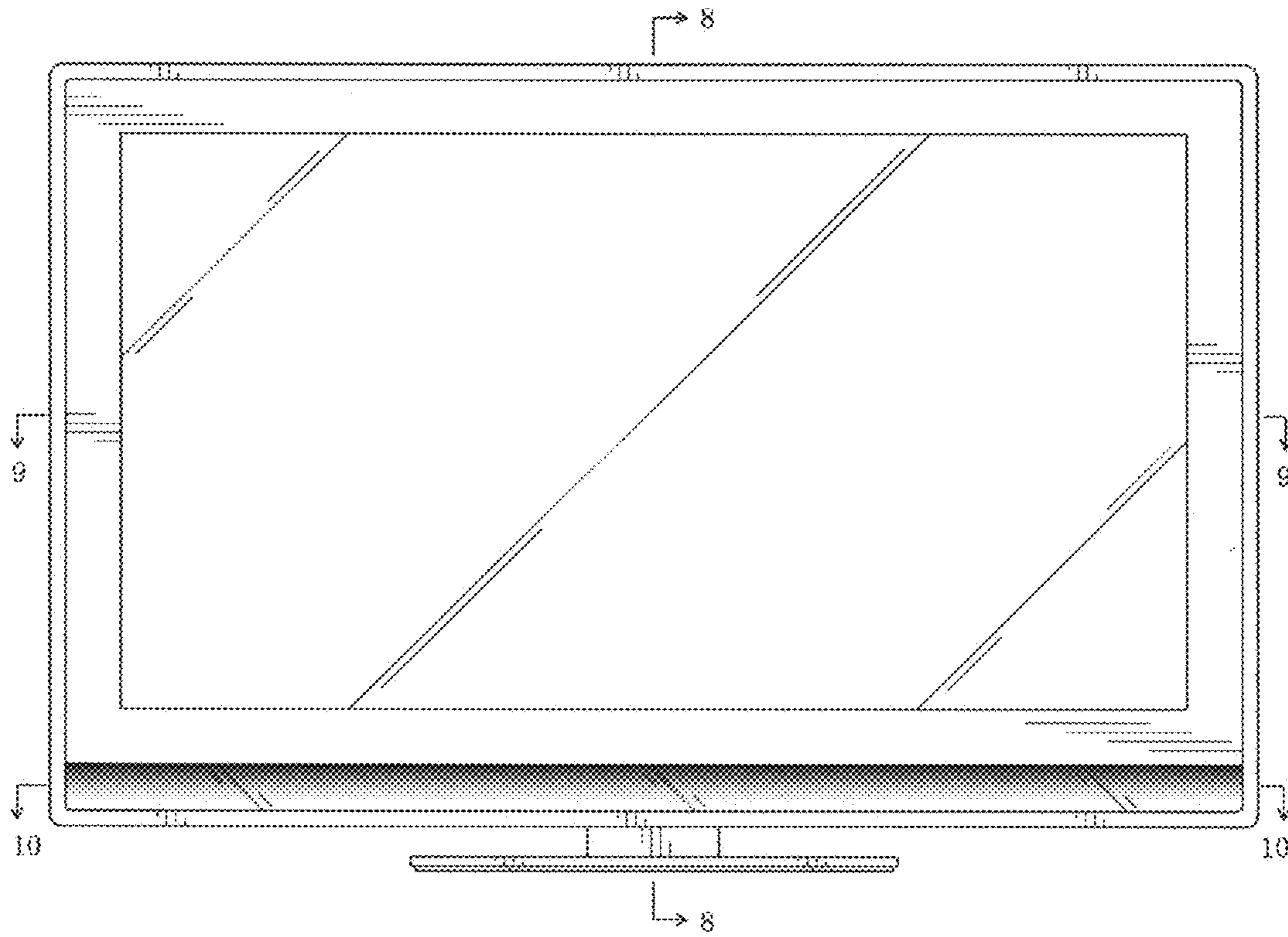


FIG.3

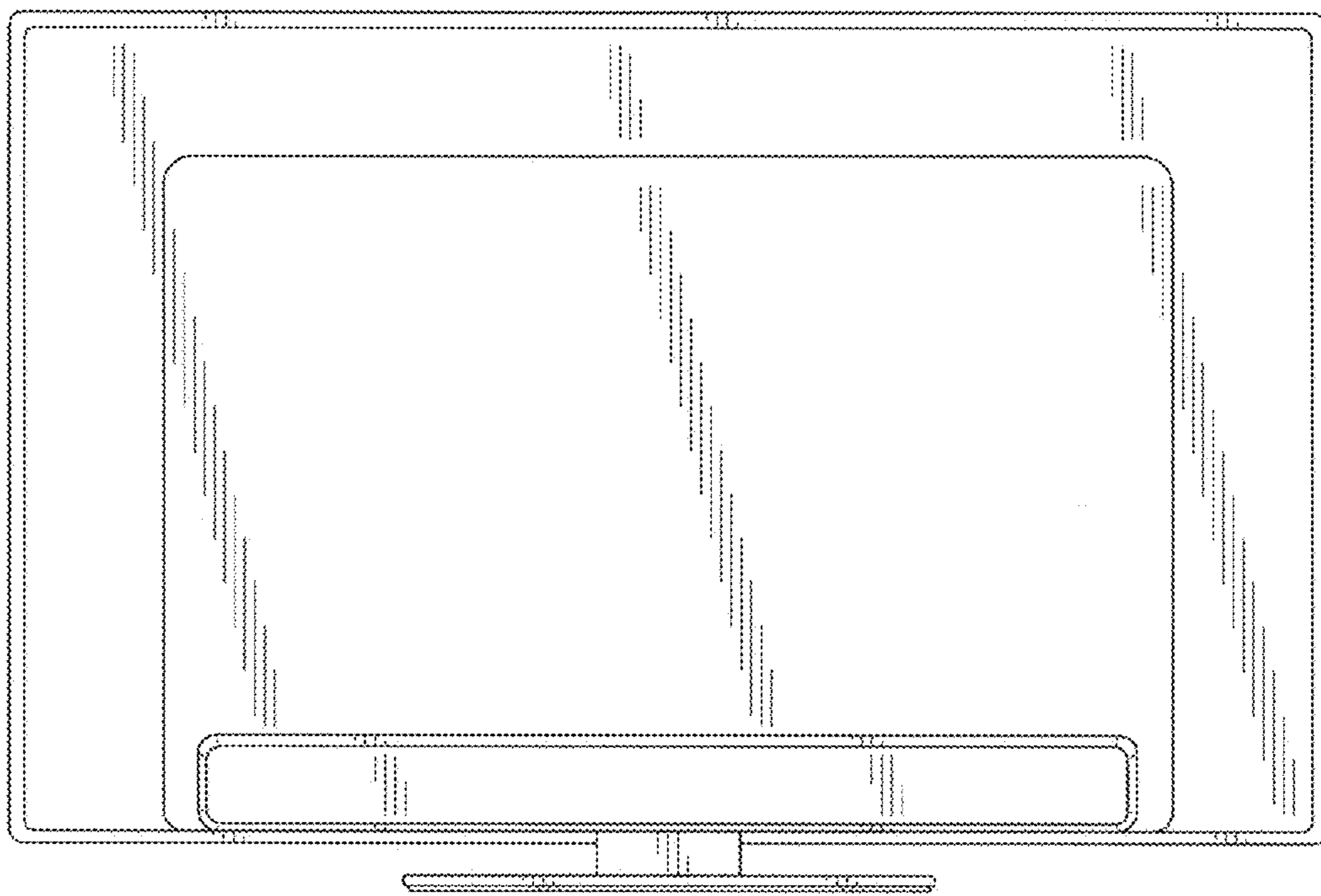


FIG.4

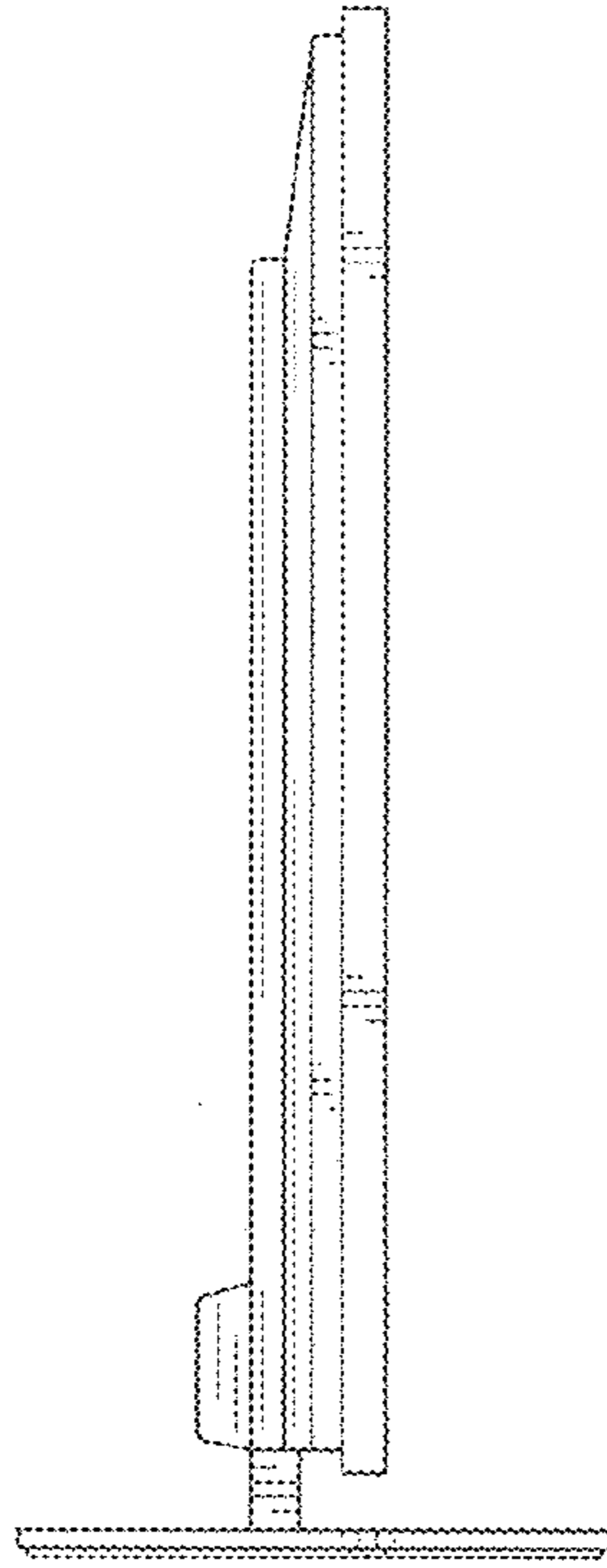


FIG.5

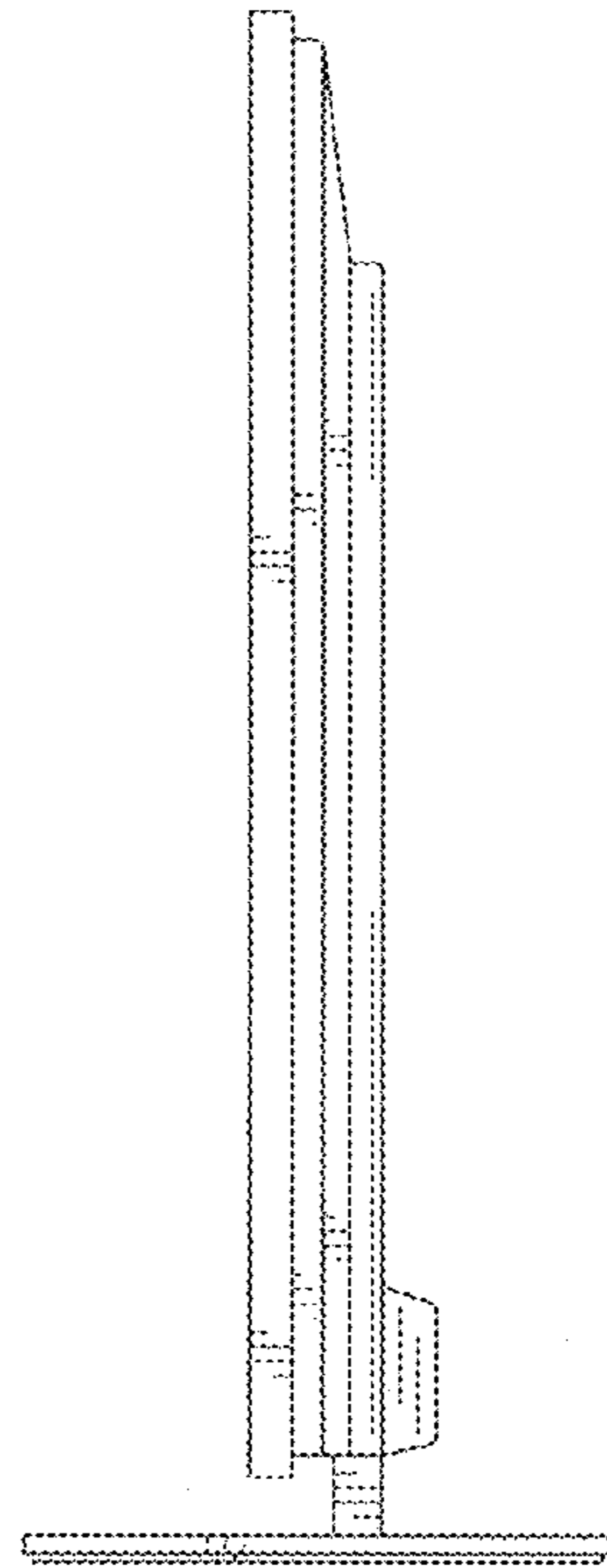


FIG.6

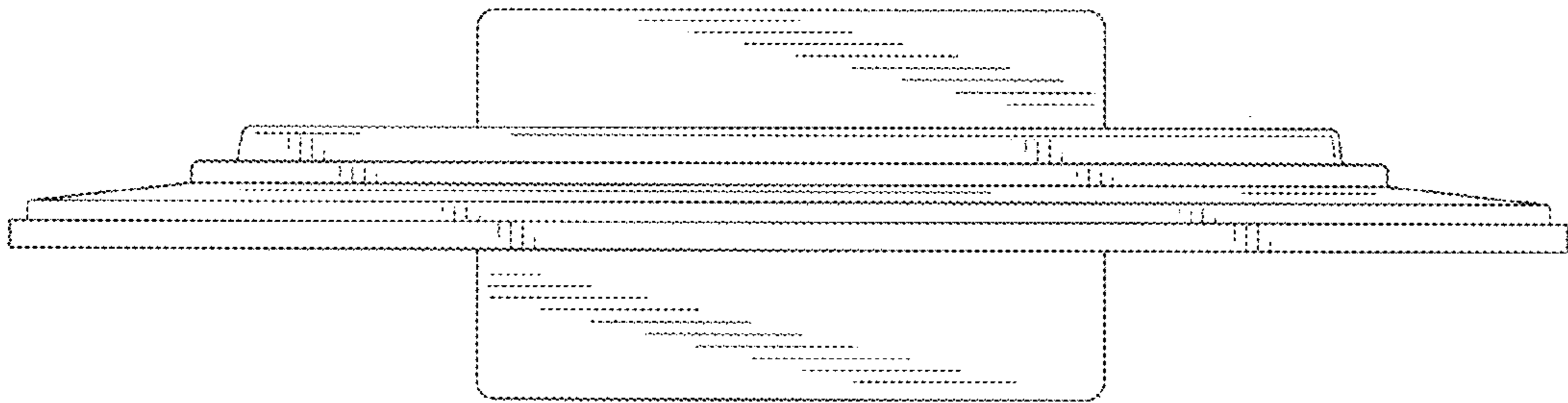


FIG.7

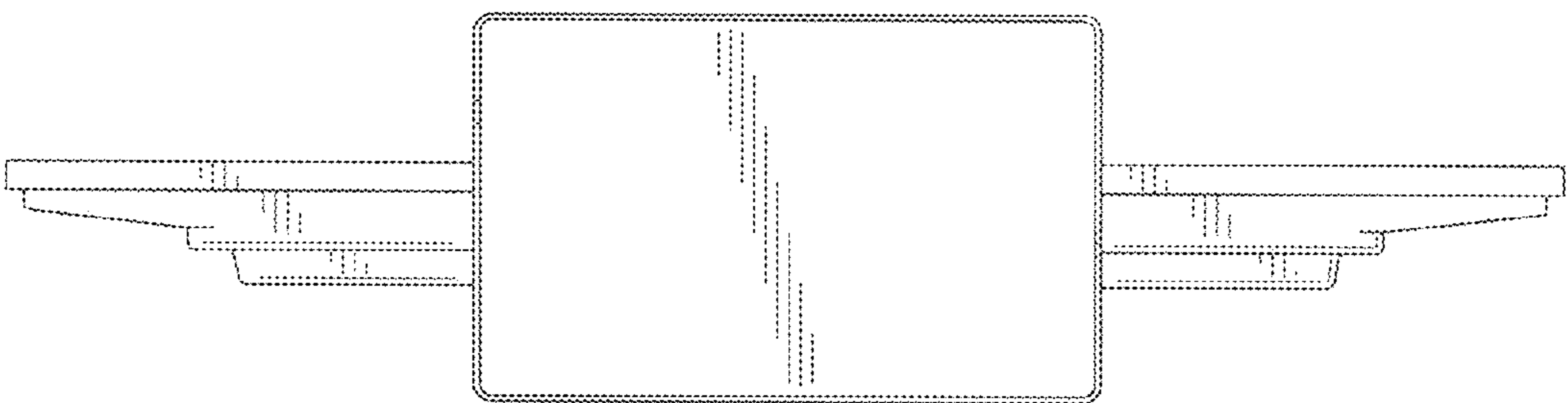


FIG.8

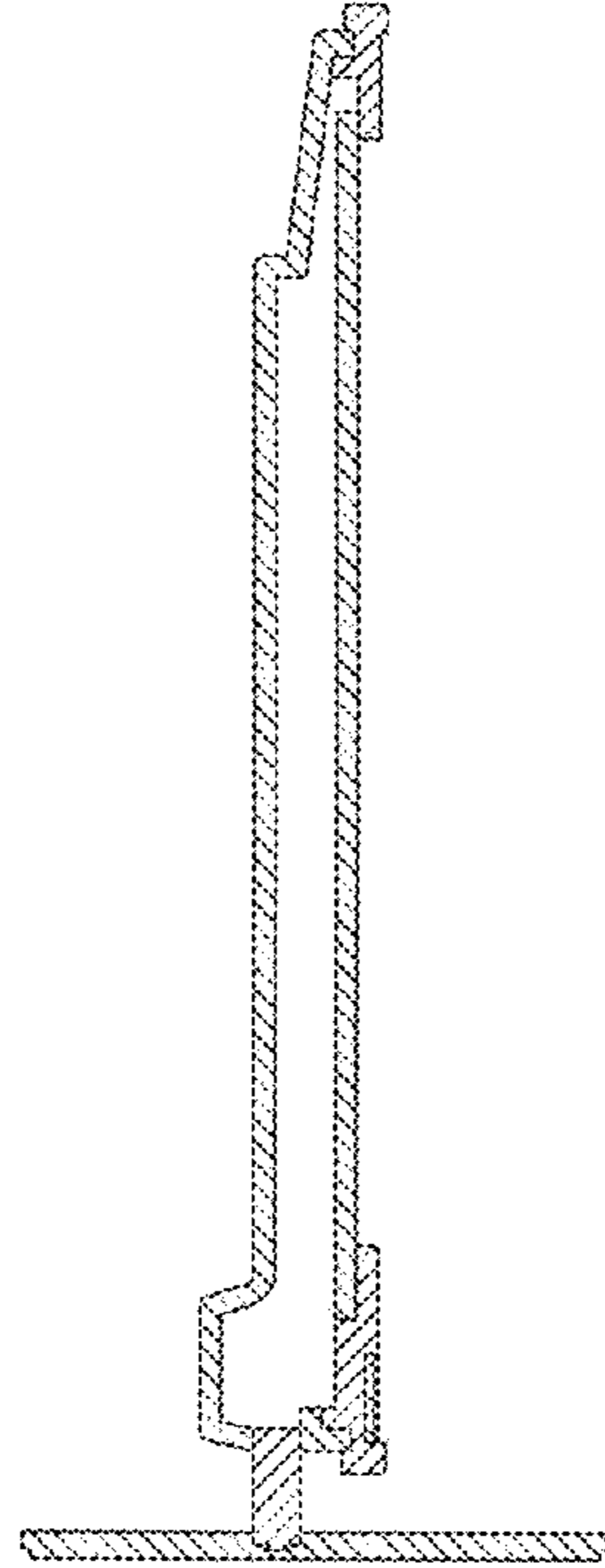


FIG.9

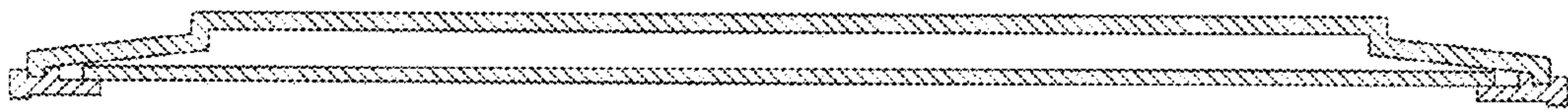


FIG.10

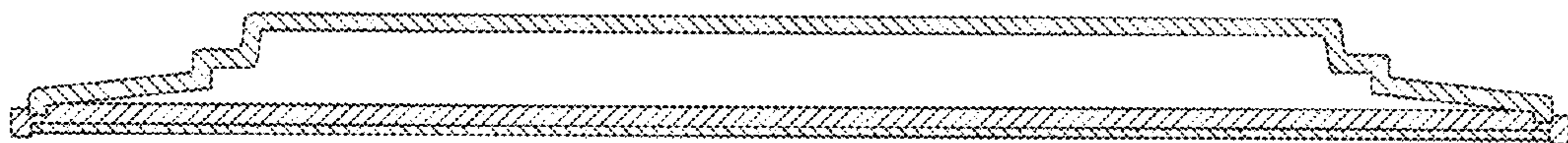


FIG.11

