



US00D643381S

(12) **United States Design Patent**  
**Hsieh**

(10) **Patent No.:** **US D643,381 S**

(45) **Date of Patent:** **\*\* Aug. 16, 2011**

(54) **LIGHT EMITTING DIODE**

(75) **Inventor:** **Chung-Chuan Hsieh**, Tucheng (TW)

(73) **Assignee:** **Everlight Electronics Co., Ltd.**,  
Tucheng, Taipei County (TW)

(\*\*) **Term:** **14 Years**

(21) **Appl. No.:** **29/359,190**

(22) **Filed:** **Apr. 7, 2010**

(51) **LOC (9) Cl.** ..... **13-03**

(52) **U.S. Cl.** ..... **D13/180**

(58) **Field of Classification Search** ..... D13/180;  
D26/2; 257/79, 80, 81, 88, 89, 95, 98, 99,  
257/100, E33.058; 313/483, 498, 500; 362/555,  
362/800

See application file for complete search history.

(56) **References Cited**

**U.S. PATENT DOCUMENTS**

5,722,760	A *	3/1998	Chien	362/84
6,061,160	A	5/2000	Maruyama	
6,153,894	A	11/2000	Udagawa	
6,770,498	B2 *	8/2004	Hsu	438/26
6,936,855	B1	8/2005	Harrah	
D517,027	S	3/2006	Suenaga	
7,211,835	B2 *	5/2007	Ono	257/99
7,224,000	B2 *	5/2007	Aanegola et al.	257/98
D572,670	S *	7/2008	Ono et al.	D13/180
D576,574	S *	9/2008	Kobayakawa	D13/180
D578,226	S *	10/2008	West et al.	D26/1
7,547,924	B1	6/2009	Lin	
D598,871	S *	8/2009	Eberle et al.	D13/180
7,626,250	B2 *	12/2009	Lee et al.	257/675
7,631,986	B2 *	12/2009	Harrah	362/230
D615,504	S *	5/2010	Keller et al.	D13/180
D618,636	S *	6/2010	Hsieh	D13/180
2004/0079957	A1 *	4/2004	Andrews et al.	257/100
2004/0126913	A1 *	7/2004	Loh	438/26
2004/0201987	A1	10/2004	Omata	
2006/0108594	A1 *	5/2006	Iwasaki et al.	257/98

2006/0131600	A1	6/2006	Nakaoka et al.	
2006/0267036	A1 *	11/2006	Lee et al.	257/98
2007/0205419	A1 *	9/2007	Ono et al.	257/79

(Continued)

**FOREIGN PATENT DOCUMENTS**

DE 402008001869-0001 7/2008

(Continued)

**OTHER PUBLICATIONS**

Notice of Allowance from Taiwan Intellectual Property Office mailed Feb. 17, 2011.

*Primary Examiner* — Selina Sikder

(74) *Attorney, Agent, or Firm* — Thomas, Kayden, Horstemeyer & Risley, LLP

(57) **CLAIM**

The ornamental design for a light emitting diode, as shown and described.

**DESCRIPTION**

FIG. 1 is a perspective view of a light emitting diode showing the claimed design;

FIG. 2 is another perspective view thereof;

FIG. 3 is a front elevational view thereof;

FIG. 4 is a rear side elevational view thereof;

FIG. 5 is a left side elevational view thereof;

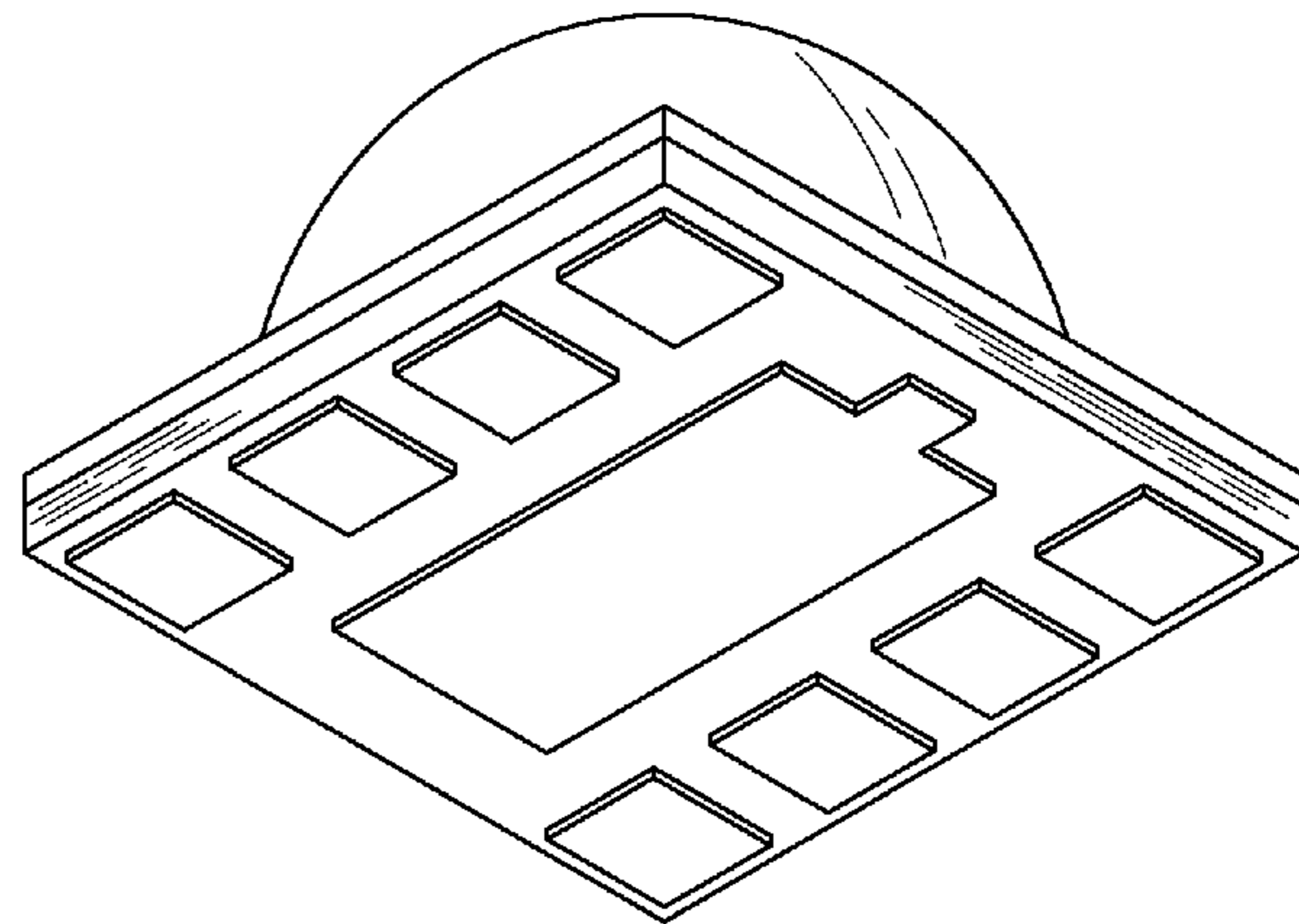
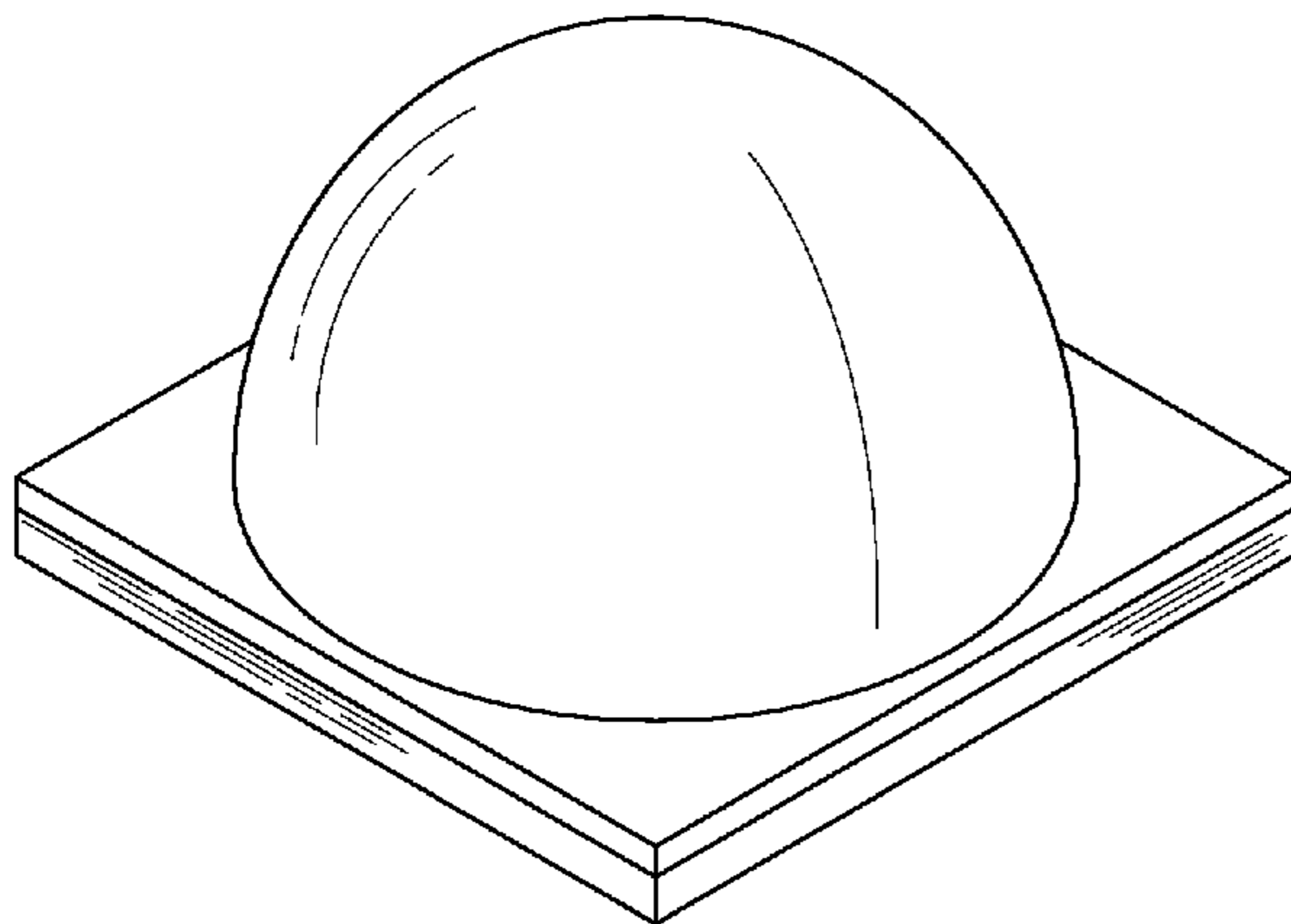
FIG. 6 is a right side elevational view thereof;

FIG. 7 is a bottom plan view thereof; the top plan view being a mirror image of the bottom plan view; and,

FIG. 8 is a view showing the visible inner structure through the dome-like light transmissible portion.

The dome-like light-transmissible portion of the design is made of light-transmissible material, which can be frosted, translucent, or transparent. The broken lines are directed to environmental features and are for illustrative purpose only; the broken lines form no part of the claimed design.

**1 Claim, 5 Drawing Sheets**



# US D643,381 S

Page 2

---

## U.S. PATENT DOCUMENTS

2008/0054280	A1 *	3/2008	Reginelli et al. ....	257/98	DE	402008001869-0004	7/2008
2008/0054286	A1 *	3/2008	Loh et al. ....	257/98	DE	402008001869-0005	7/2008
2009/0108281	A1 *	4/2009	Keller et al. ....	257/98	DE	402008001869-0006	7/2008
2009/0122514	A1 *	5/2009	Yoon et al. ....	362/84	JP	1284046	10/2006
2009/0166655	A1 *	7/2009	Lin ....	257/98	JP	1353072	3/2009
2009/0242915	A1 *	10/2009	Chang Chien et al. ....	257/98	JP	1363307	6/2009
2009/0278153	A1 *	11/2009	Cho ....	257/98	JP	1363680	6/2009
2009/0283779	A1 *	11/2009	Negley et al. ....	257/88	TW	D124992	9/2008
					TW	D128141	4/2009

## FOREIGN PATENT DOCUMENTS

DE	402008001869-0002	7/2008
DE	402008001869-0003	7/2008

\* cited by examiner

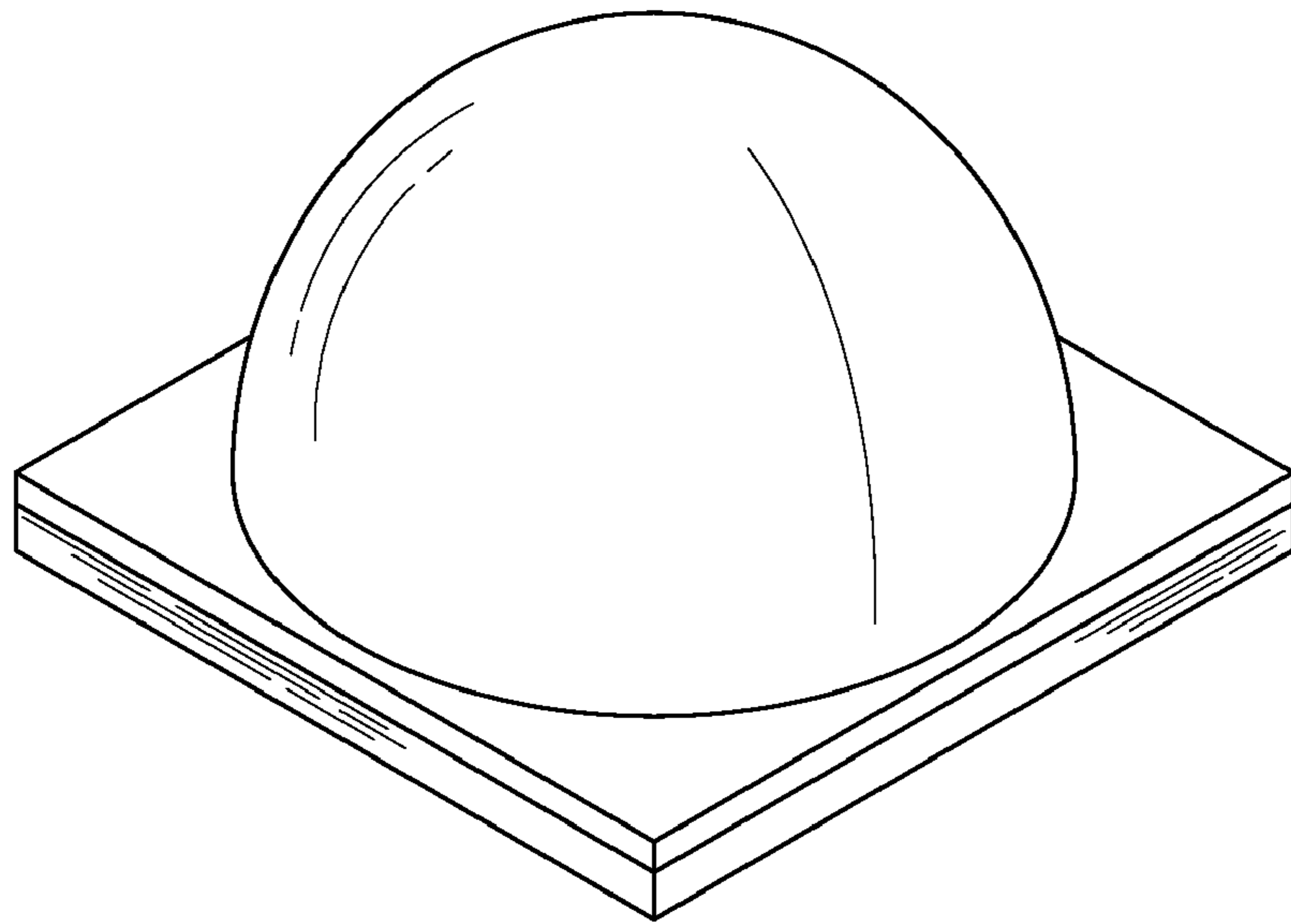


FIG.1

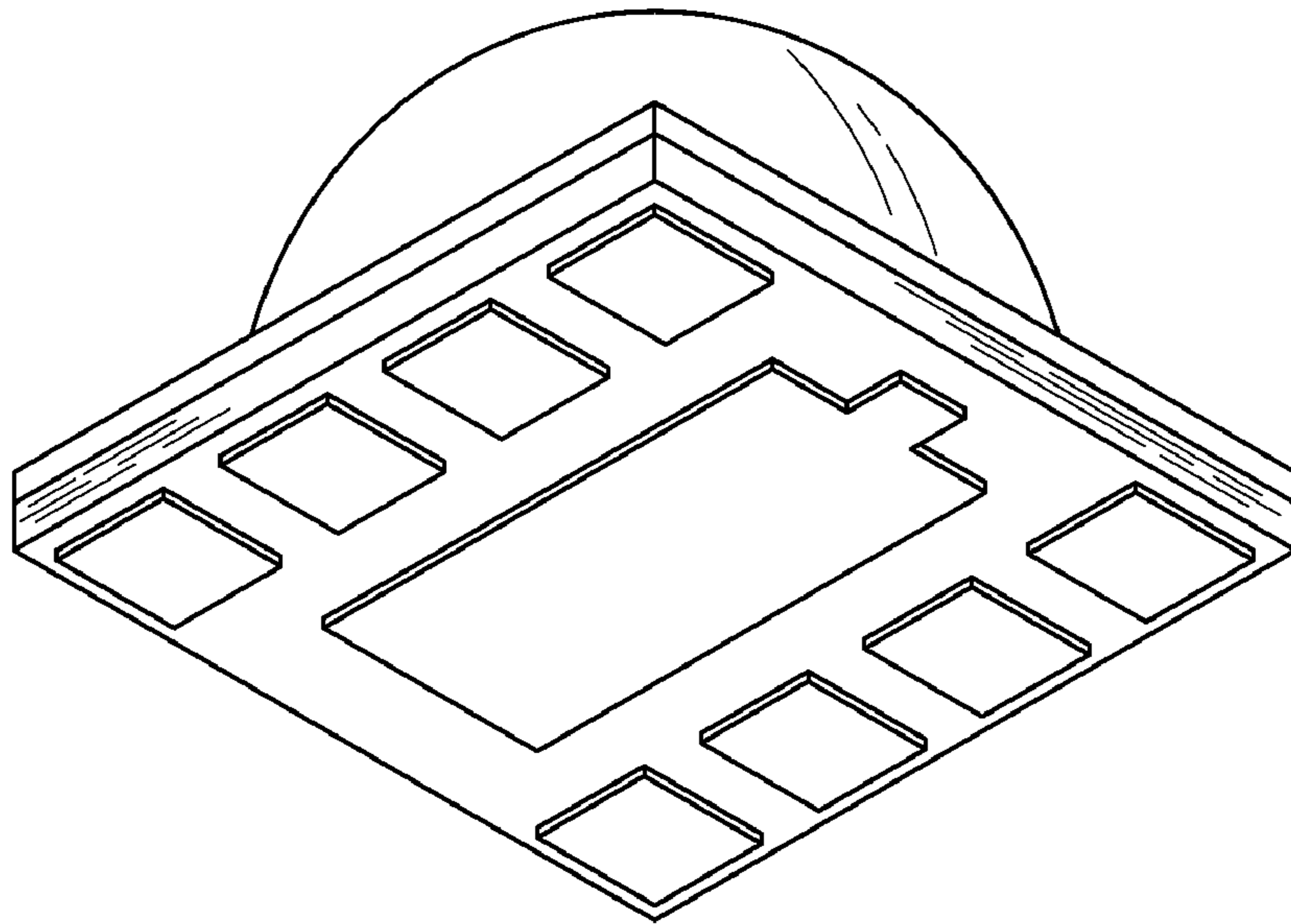


FIG.2

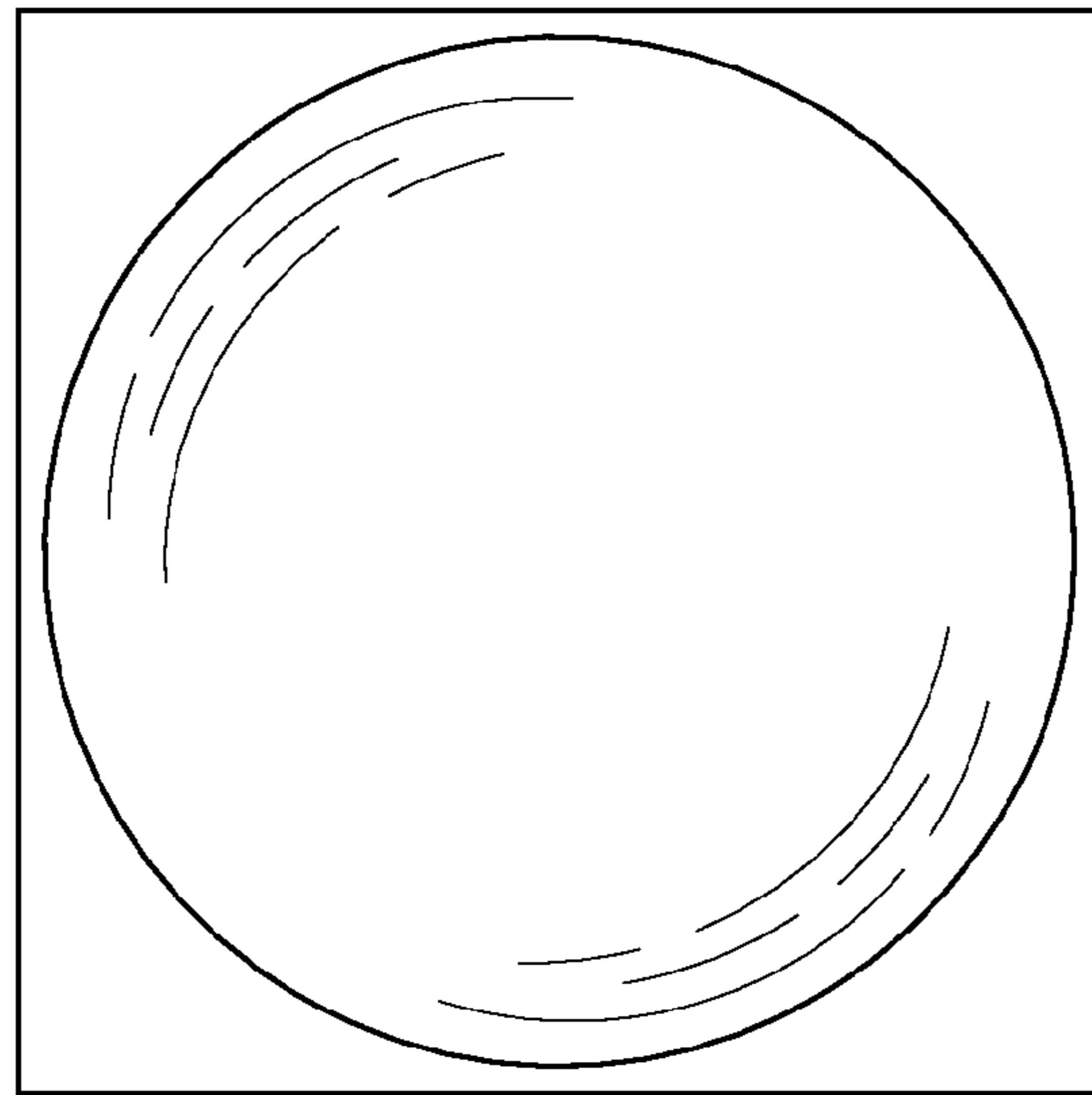


FIG. 3

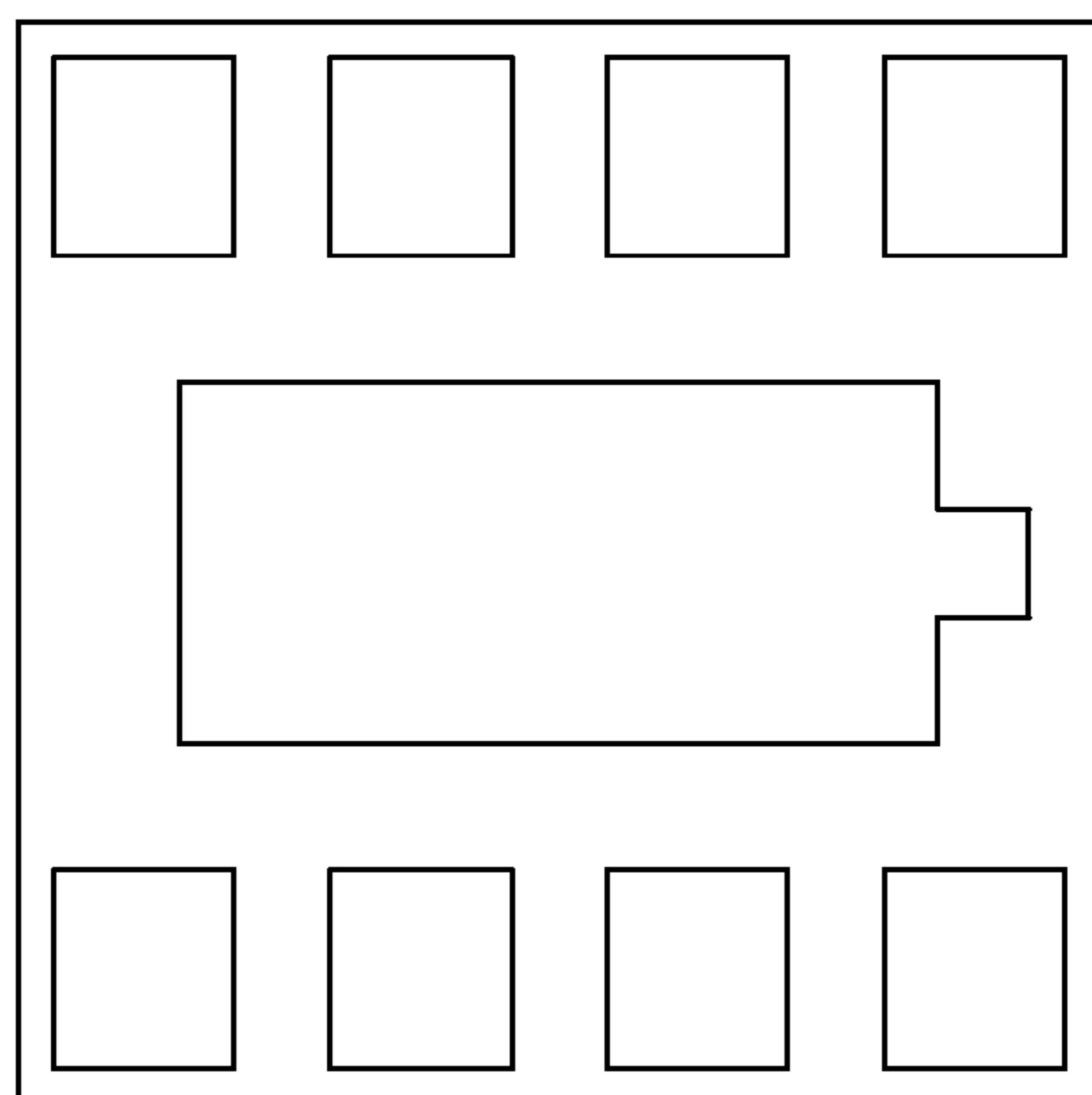


FIG. 4

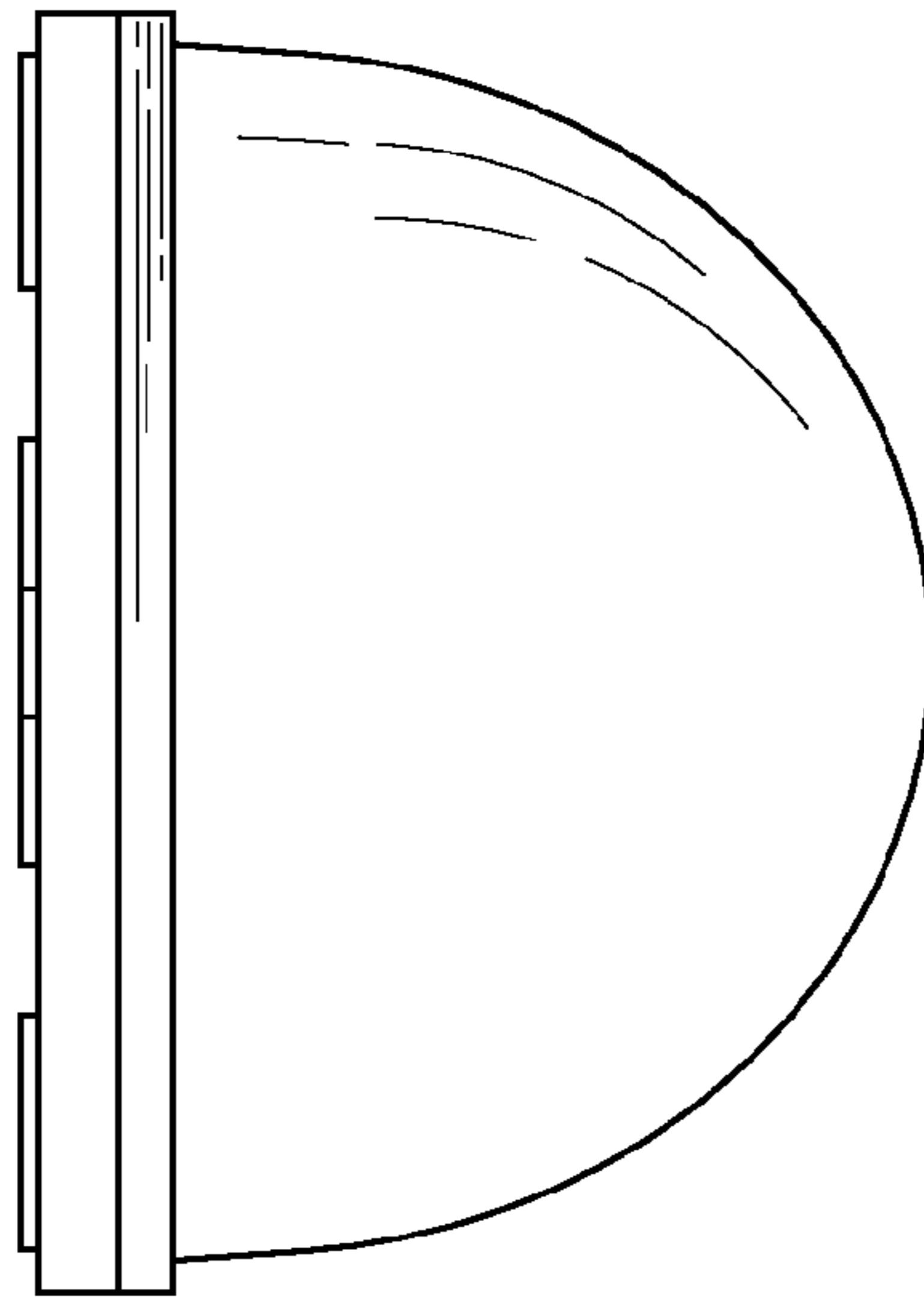


FIG. 5

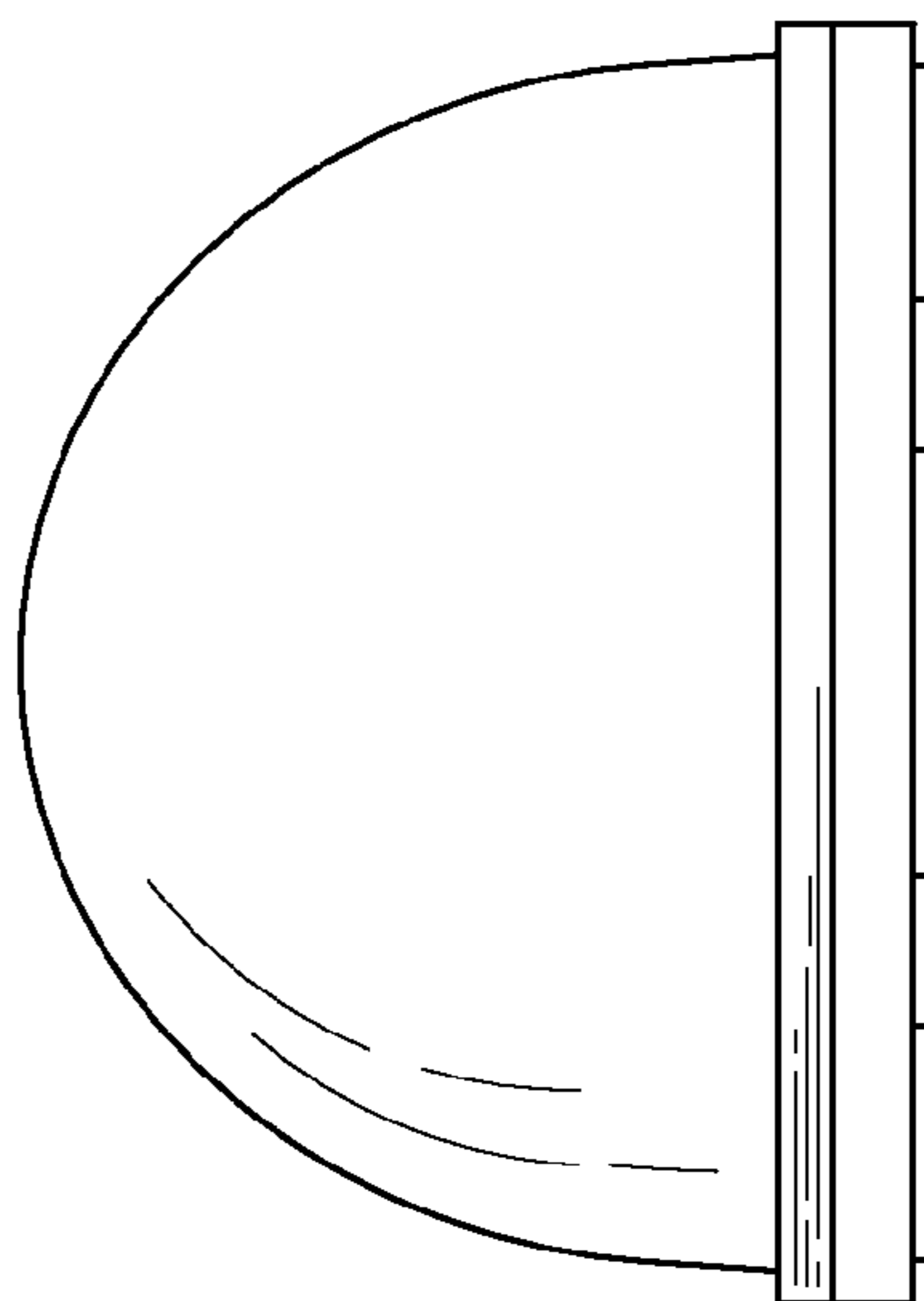


FIG. 6

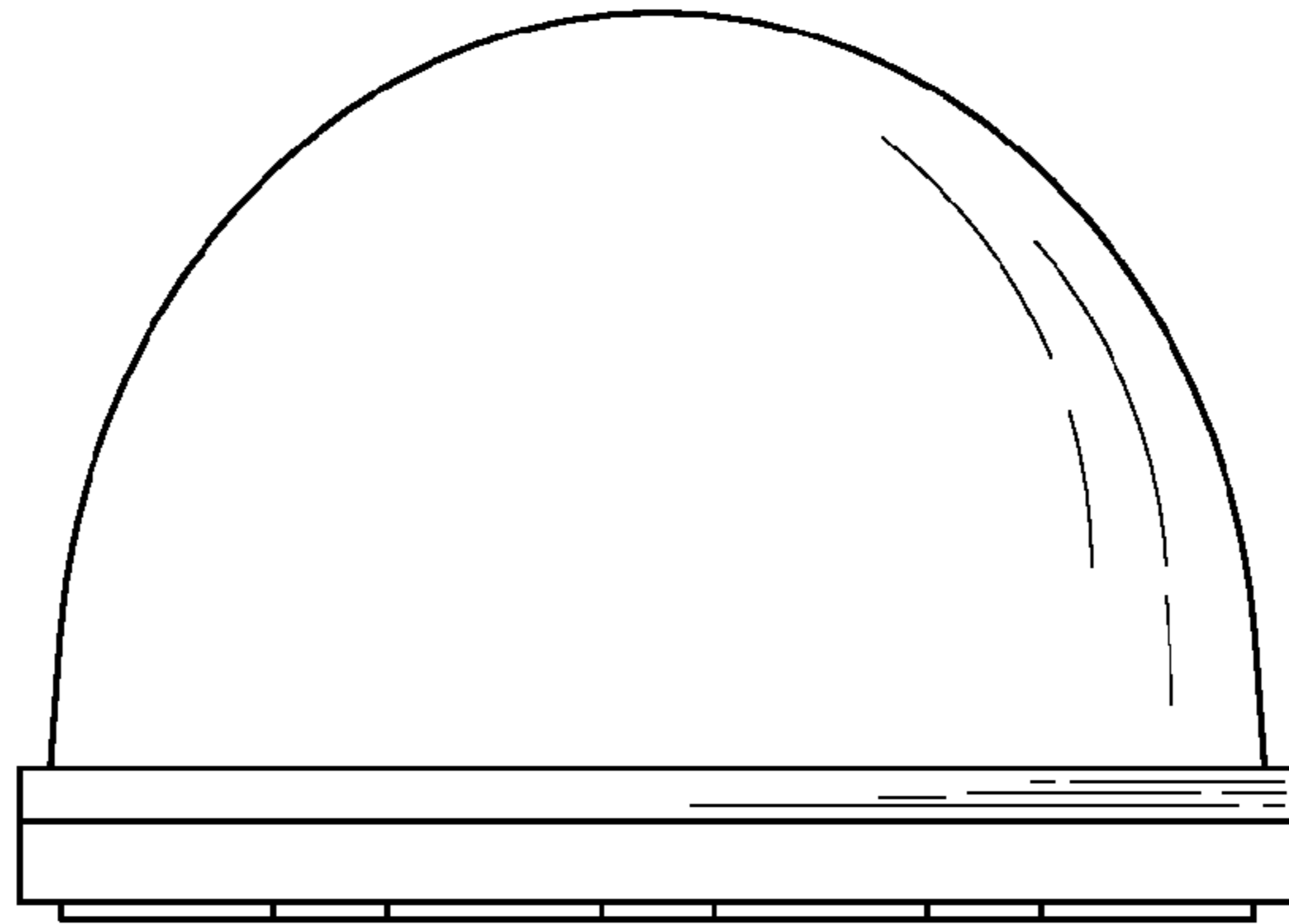


FIG. 7

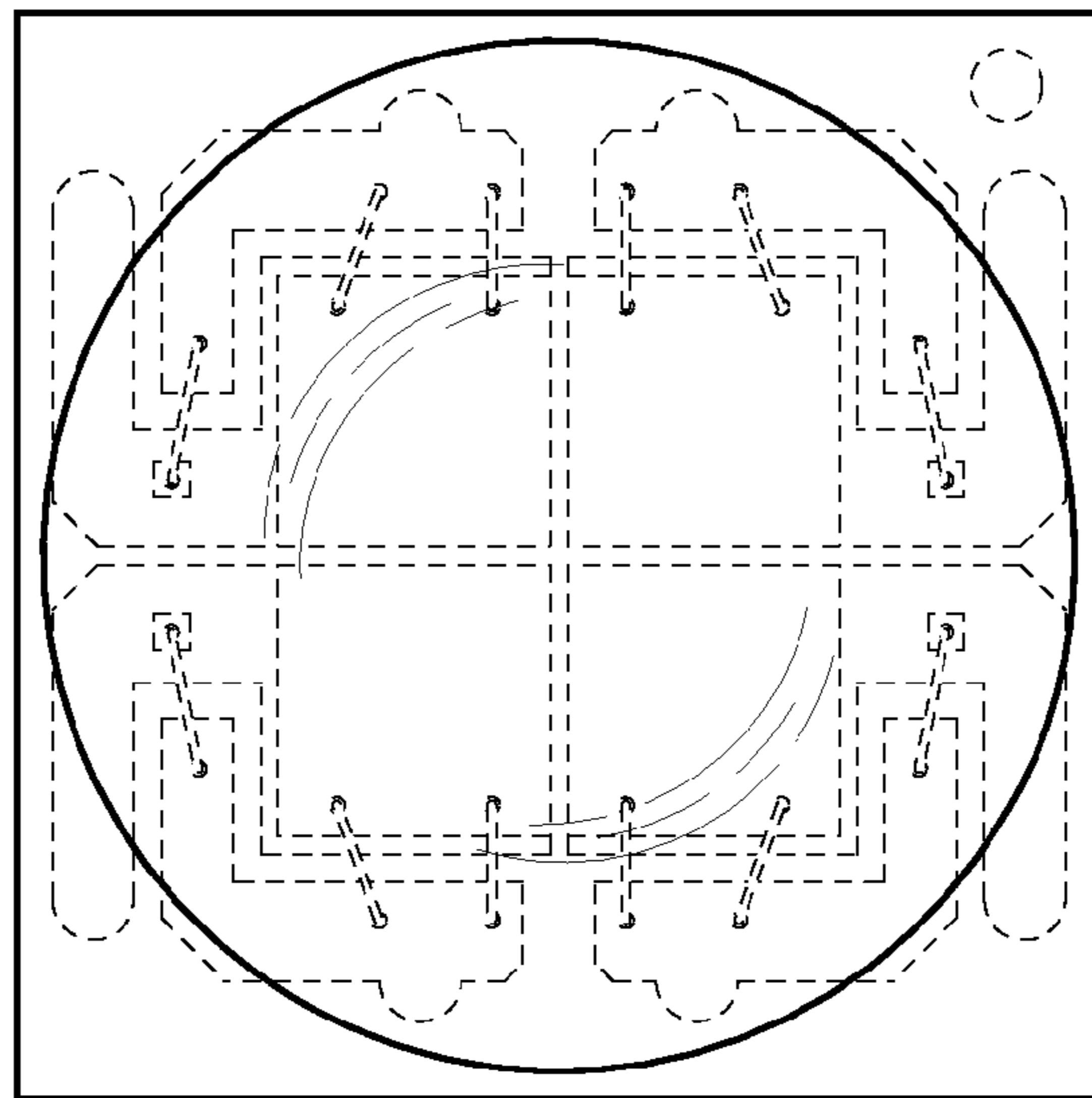


FIG. 8