



US00D643380S

(12) **United States Design Patent**
Tan

(10) **Patent No.:** **US D643,380 S**

(45) **Date of Patent:** **** Aug. 16, 2011**

(54) **PHOTOELECTRIC ENERGY TRANSDUCING APPARATUS**

(75) Inventor: **Hsian-Lung Tan, Zhongli (TW)**

(73) Assignee: **Neobulb Technologies, Inc. (BN)**

(**) Term: **14 Years**

(21) Appl. No.: **29/367,724**

(22) Filed: **Aug. 12, 2010**

(51) **LOC (9) Cl.** **13-03**

(52) **U.S. Cl.** **D13/179**

(58) **Field of Classification Search** D13/179;
165/80.3, 104.33, 122, 151, 185; 257/706,
257/707, 718-722; 361/695, 697, 700, 702,
361/704, 709, 710, 711, 719
See application file for complete search history.

(56) **References Cited**

U.S. PATENT DOCUMENTS

D194,787 S *	3/1963	Chadwick	D13/179
D466,871 S *	12/2002	Lee	D13/179
6,535,385 B2 *	3/2003	Lee	361/697
D479,830 S *	9/2003	Lee	D13/179
D581,375 S *	11/2008	Chen et al.	D13/179
7,553,047 B2 *	6/2009	Shin et al.	362/294
2003/0048608 A1 *	3/2003	Crocker et al.	361/697

2003/0131970 A1 *	7/2003	Carter et al.	165/80.3
2005/0211416 A1 *	9/2005	Kawabata et al.	165/80.3
2009/0255658 A1 *	10/2009	Shen	165/185
2009/0308575 A1 *	12/2009	Yao	165/80.3
2009/0310310 A1 *	12/2009	Anzai	361/704
2010/0270922 A1 *	10/2010	Lin	315/32

* cited by examiner

Primary Examiner — Selina Sikder

(74) *Attorney, Agent, or Firm* — Thomas, Kayden, Horstemeyer & Risley, LLP.

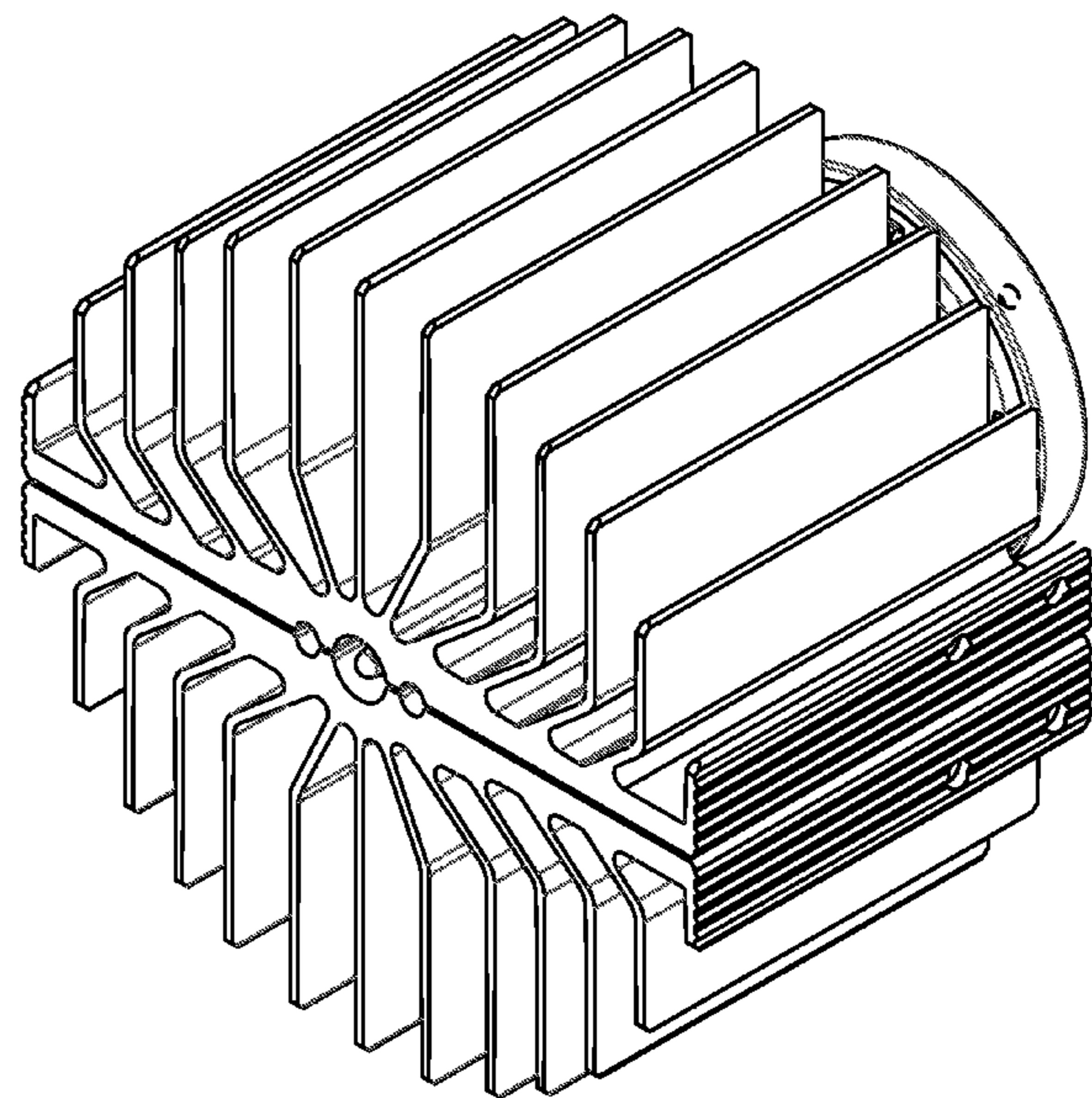
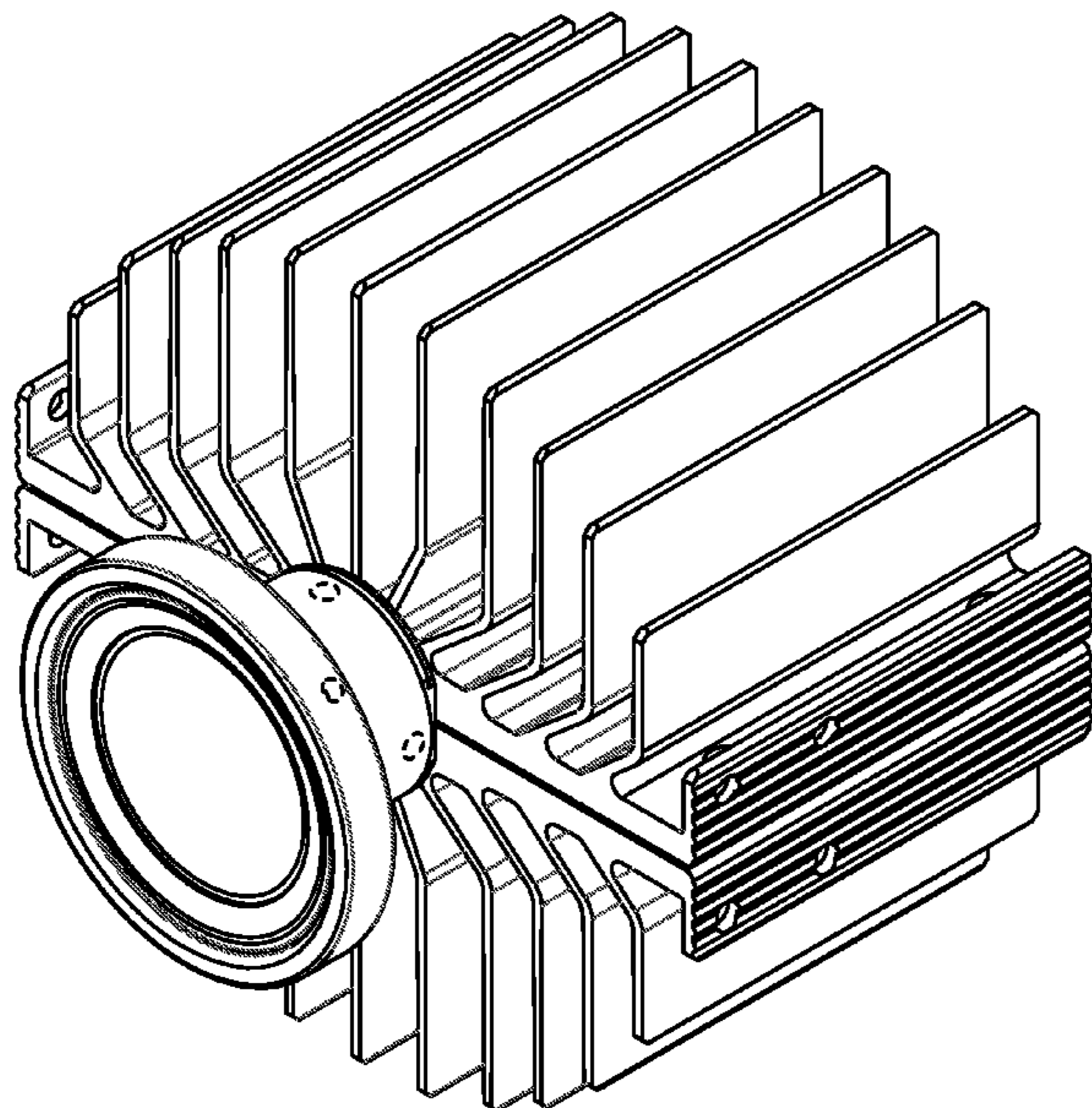
(57) **CLAIM**

The ornamental design for the photoelectric energy transducing apparatus, as shown and described.

DESCRIPTION

FIG. 1 is a perspective view of a photoelectric energy transducing apparatus showing our design; FIG. 2 is another perspective view thereof; FIG. 3 is a front view thereof; FIG. 4 is a rear view thereof; FIG. 5 is a left view thereof; FIG. 6 is a top view thereof; and, FIG. 7 is a bottom view thereof; the right elevation view thereof being a mirror image of the left; the broken lines illustrate portions of the photoelectric energy transducing apparatus that forms no part of the claimed design.

1 Claim, 7 Drawing Sheets



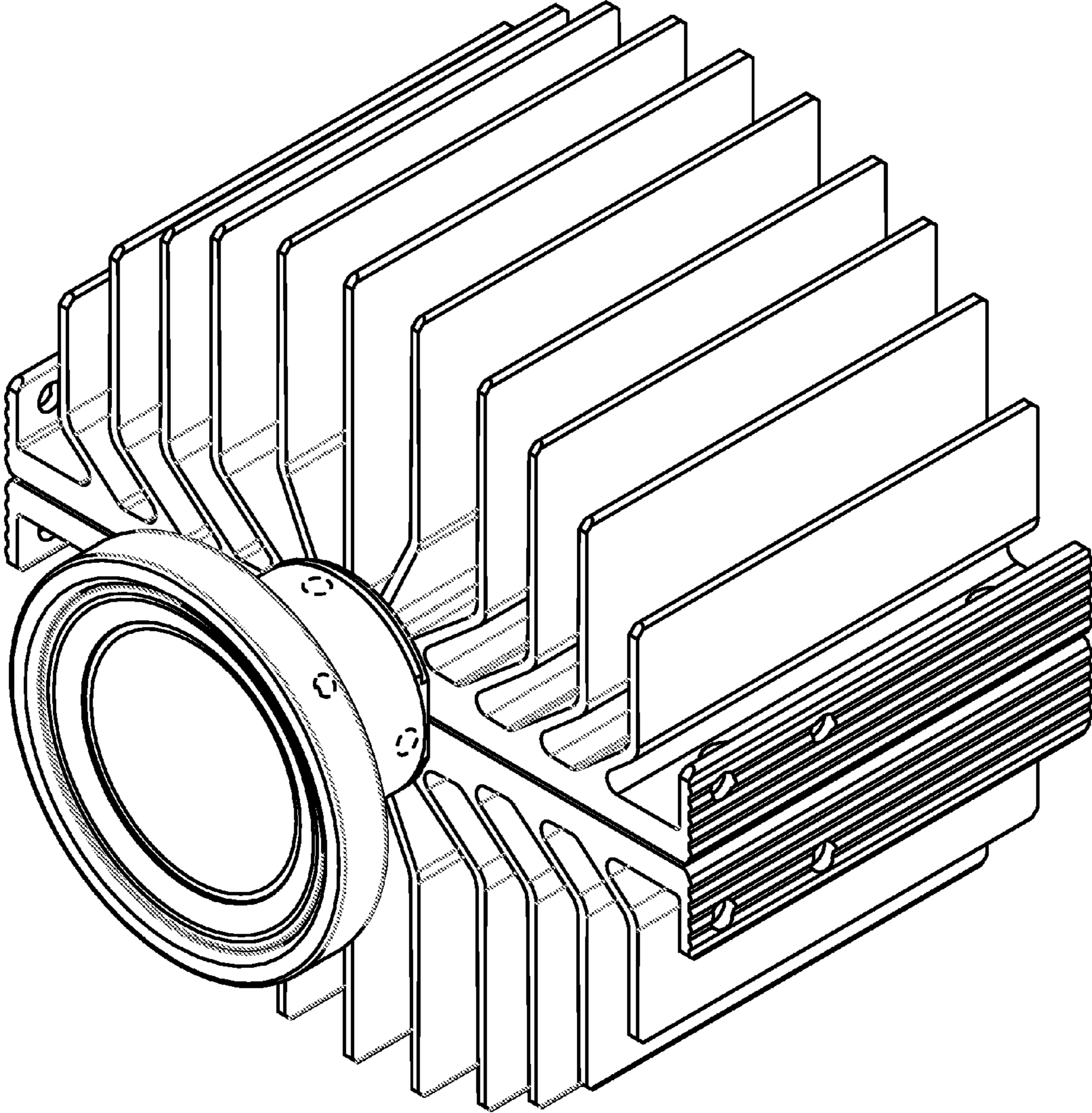


FIG.1

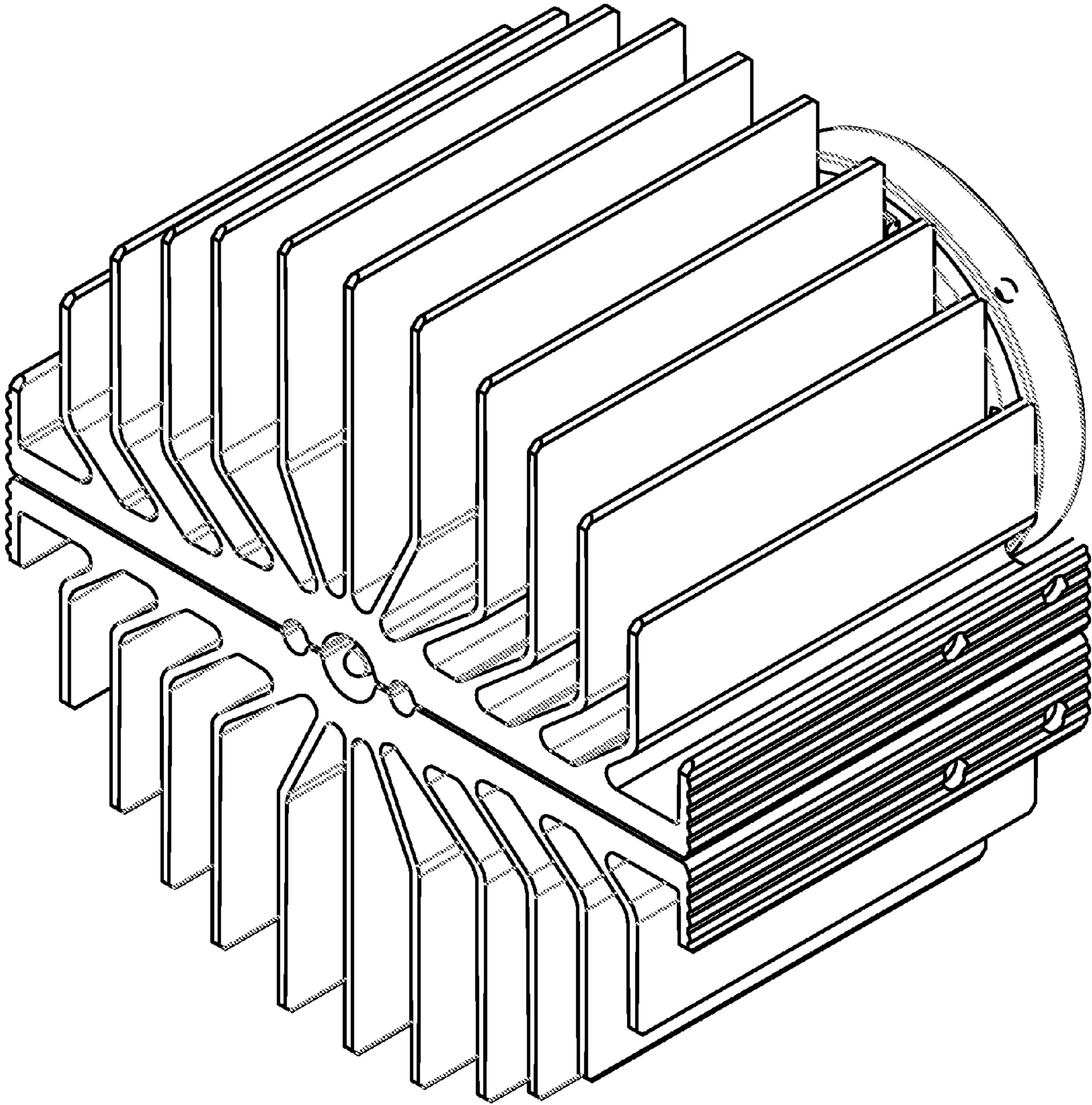


FIG.2

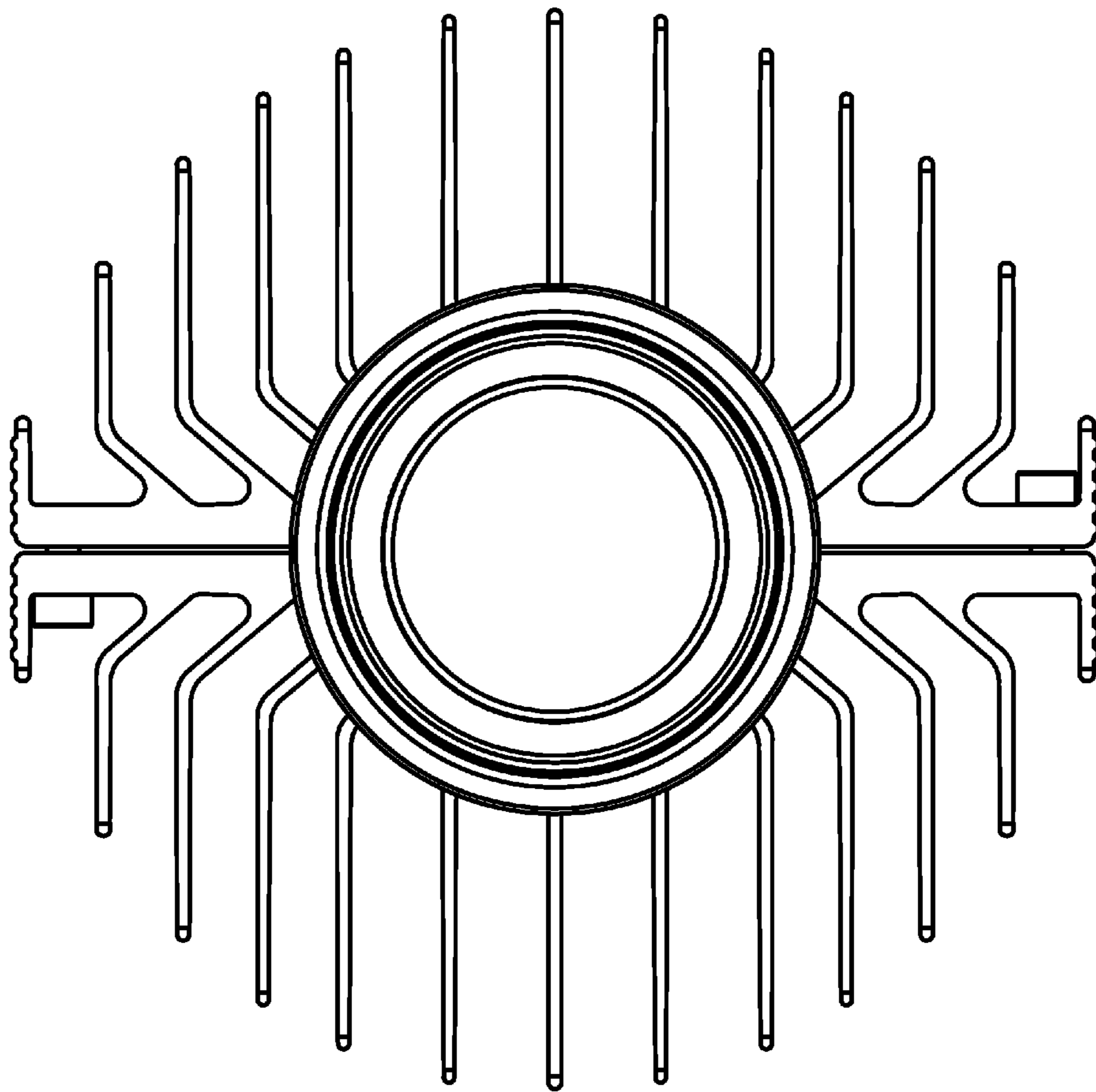


FIG.3

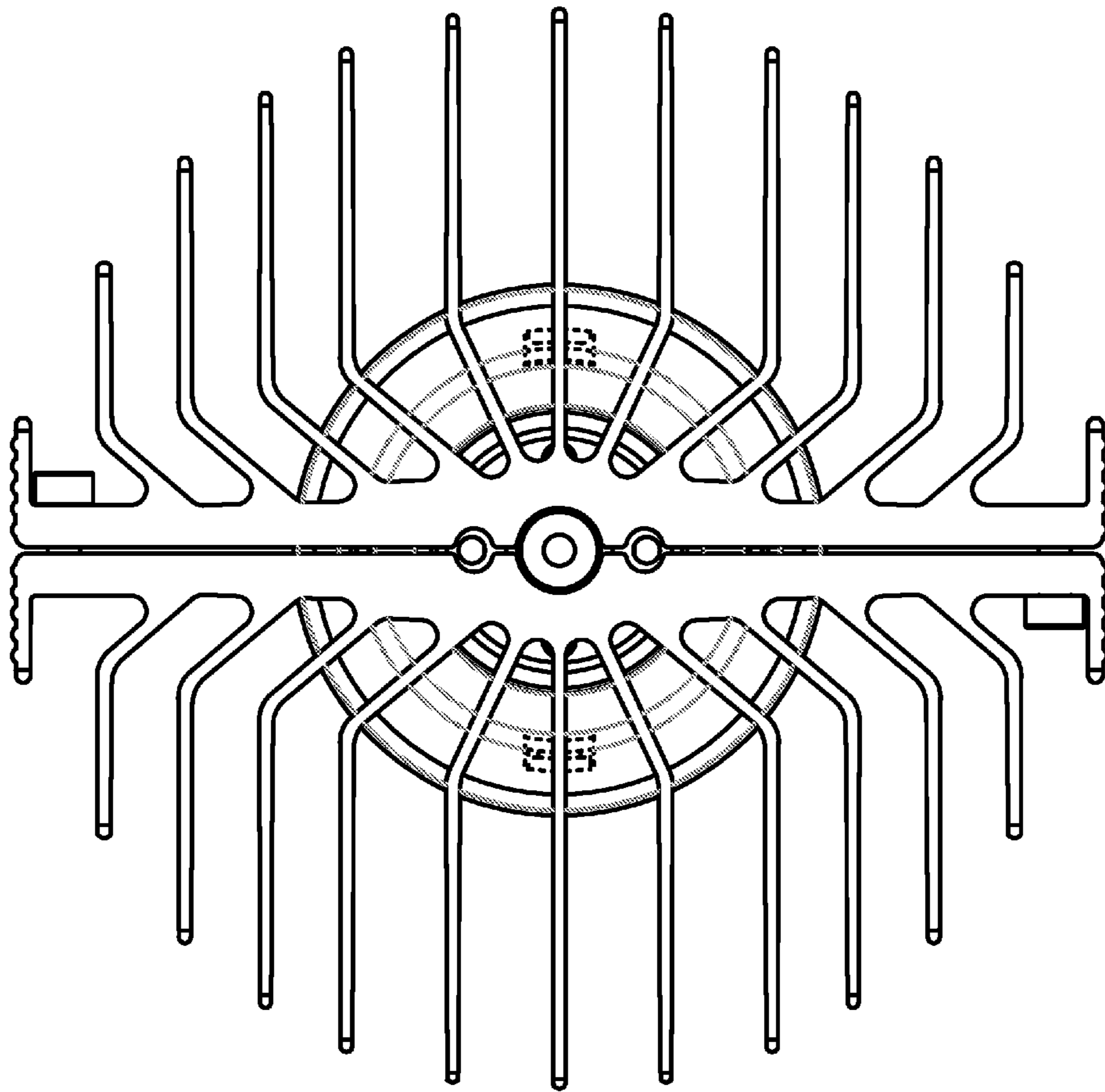


FIG.4

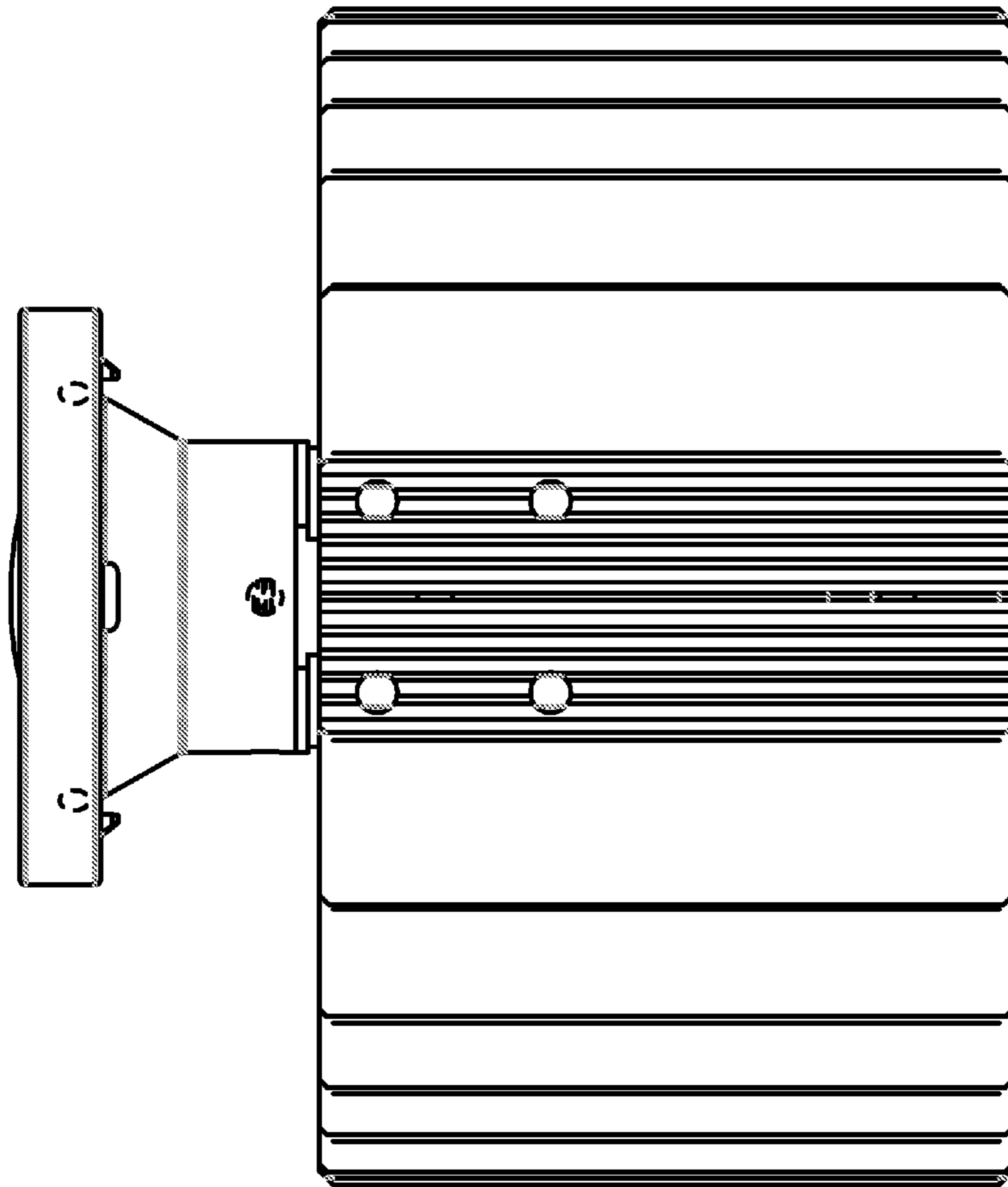


FIG.5

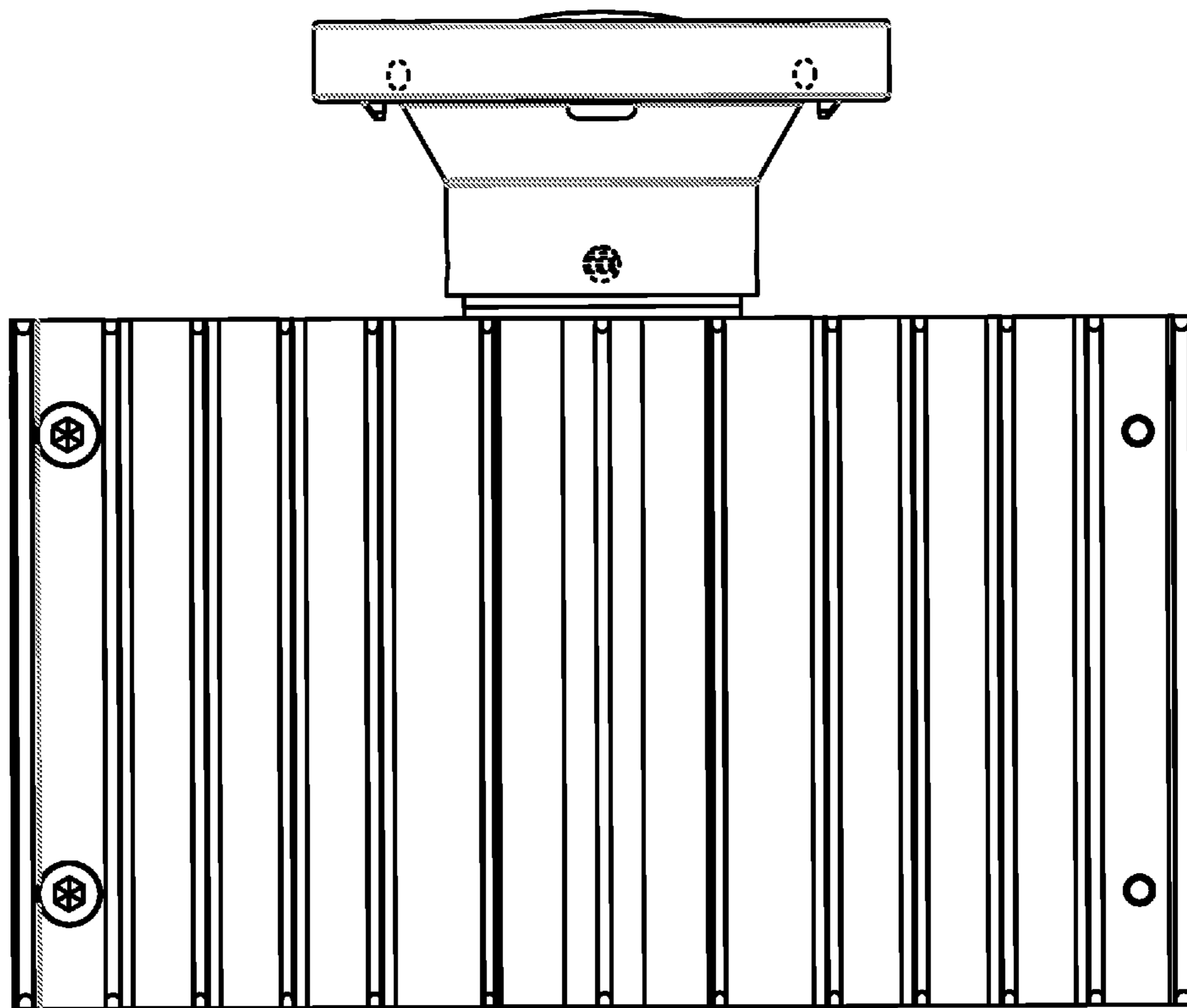


FIG.6

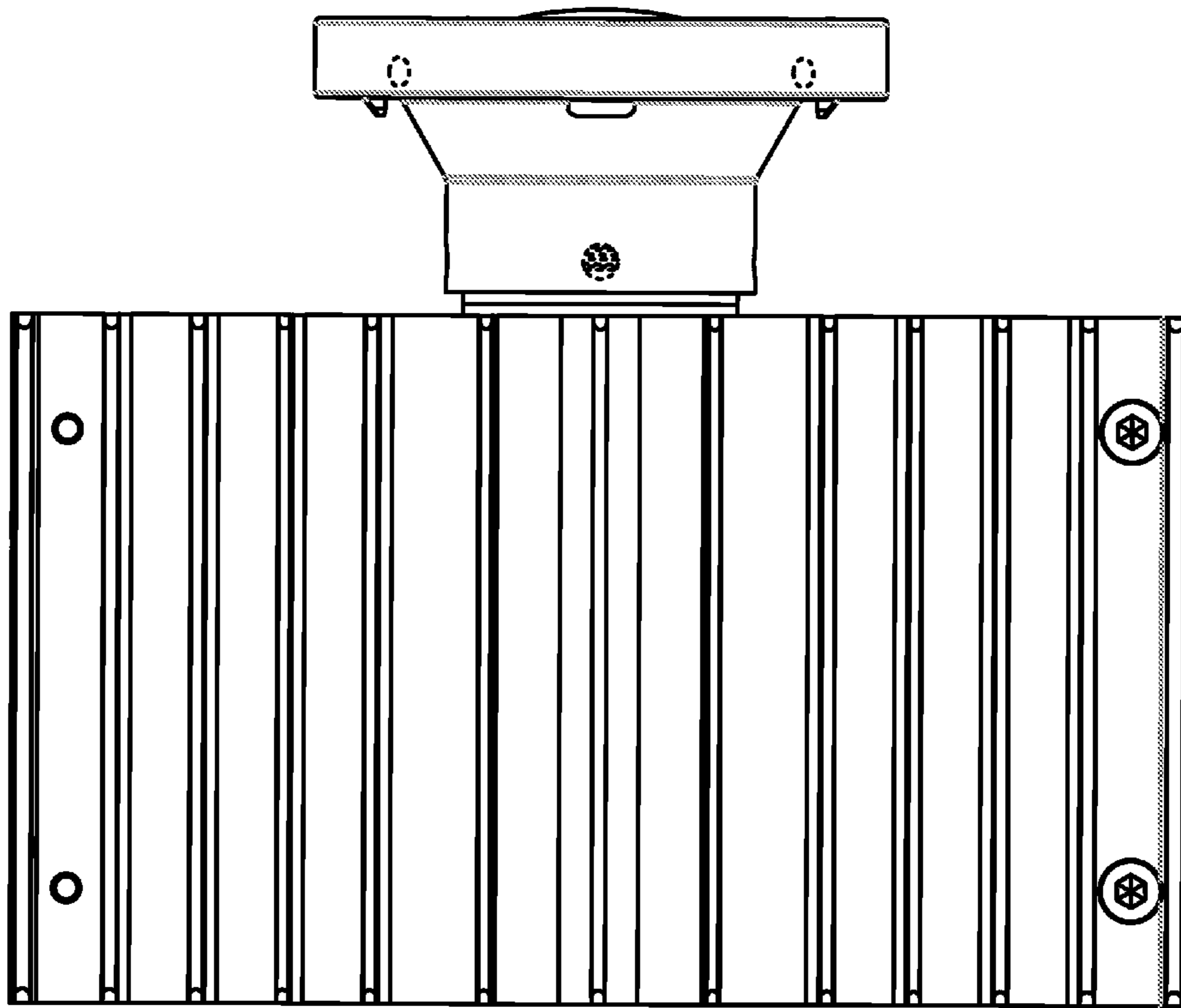


FIG.7