



US00D643374S

(12) **United States Design Patent**
Naumann et al.

(10) **Patent No.:** **US D643,374 S**
(45) **Date of Patent:** **** Aug. 16, 2011**

(54) **PROTECTIVE CASING FOR ELECTRICAL DEVICES**

(75) Inventors: **Reiner Naumann**, Mannheim (DE);
Markus Reinhart, Hassmersheim (DE);
Frank Hieronymus,
Hesseneck-Schoellenbach (DE)

(73) Assignee: **Cooper Crouse-Hinds GmbH**, Soest (DE)

(**) Term: **14 Years**

(21) Appl. No.: **29/379,313**

(22) Filed: **Nov. 17, 2010**

Related U.S. Application Data

(62) Division of application No. 29/342,085, filed on Aug. 18, 2009, now Pat. No. Des. 629,762.

(30) **Foreign Application Priority Data**

Feb. 18, 2009 (CN) 2009 3 0005248

(51) **LOC (9) Cl.** **13-03**

(52) **U.S. Cl.** **D13/160**

(58) **Field of Classification Search** D13/158,
D13/159, 160, 161, 162, 184, 199; 200/43.14,
200/50.01, 50.21-50.23, 51 R, 293, 400,
200/401; 361/42, 44, 45, 50, 71, 115, 608,
361/634

See application file for complete search history.

(56) **References Cited**

U.S. PATENT DOCUMENTS

D300,315 S 3/1989 Thomas
5,493,083 A 2/1996 Olivier
D406,106 S 2/1999 Gonser
D498,464 S 11/2004 Kim
D580,880 S 11/2008 Liffran
D629,367 S 12/2010 Detemple et al.
D629,762 S 12/2010 Naumann et al.

OTHER PUBLICATIONS

Stahl, Control Panels, Distribution Panels and Components, Miniature Circuit-Breaker Series 8562, Dec. 5, 2006, pp. 1-26, Stahl Internal Catalogue.

Stahl, Control Panels, Distribution Panels and Components, EEx d Enclosures in Light Metal or Stainless Steel Flameproof Encapsulation CUBEx Series 8264, Mar. 11, 2006, pp. 1-8, Stahl General Catalogue.

Bartec, Relais, Nov. 2008, 1 page, Bartec brochure.

Primary Examiner — Thomas Johannes

(74) *Attorney, Agent, or Firm* — King & Spalding LLP

(57) **CLAIM**

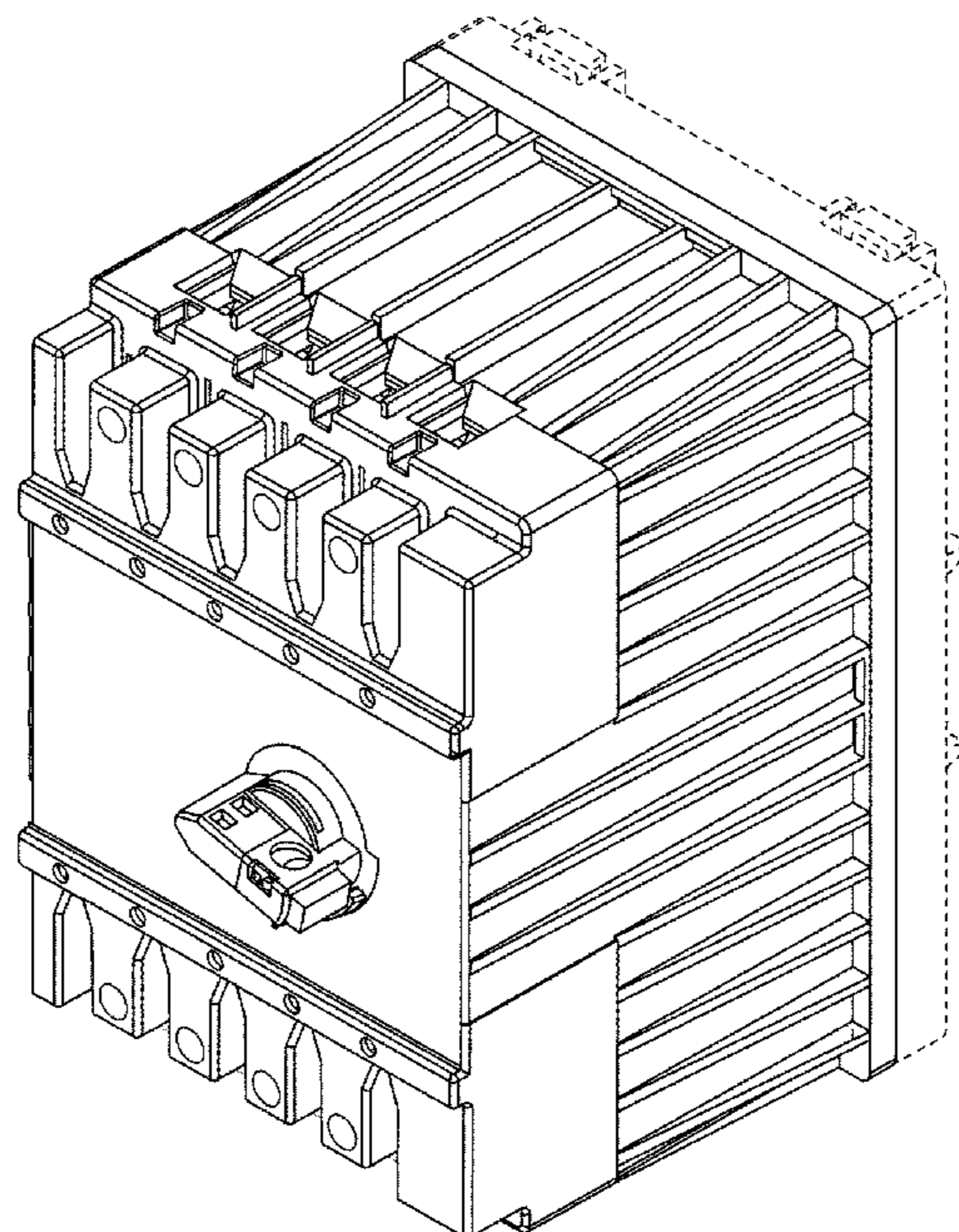
The ornamental design for a protective casing for electrical devices, as shown and described.

DESCRIPTION

FIG. 1 is a perspective view of a protective casing for electrical devices showing our new design;
FIG. 2 is a right side elevation view thereof;
FIG. 3 is a left side elevation view thereof;;
FIG. 4 is a front elevation view thereof;
FIG. 5 is a rear elevation view thereof; and,
FIG. 6 is a top plan view thereof.

The broken line portion of the figure drawings is included to show unclaimed subject matter only and forms no part of the claimed design.

1 Claim, 6 Drawing Sheets



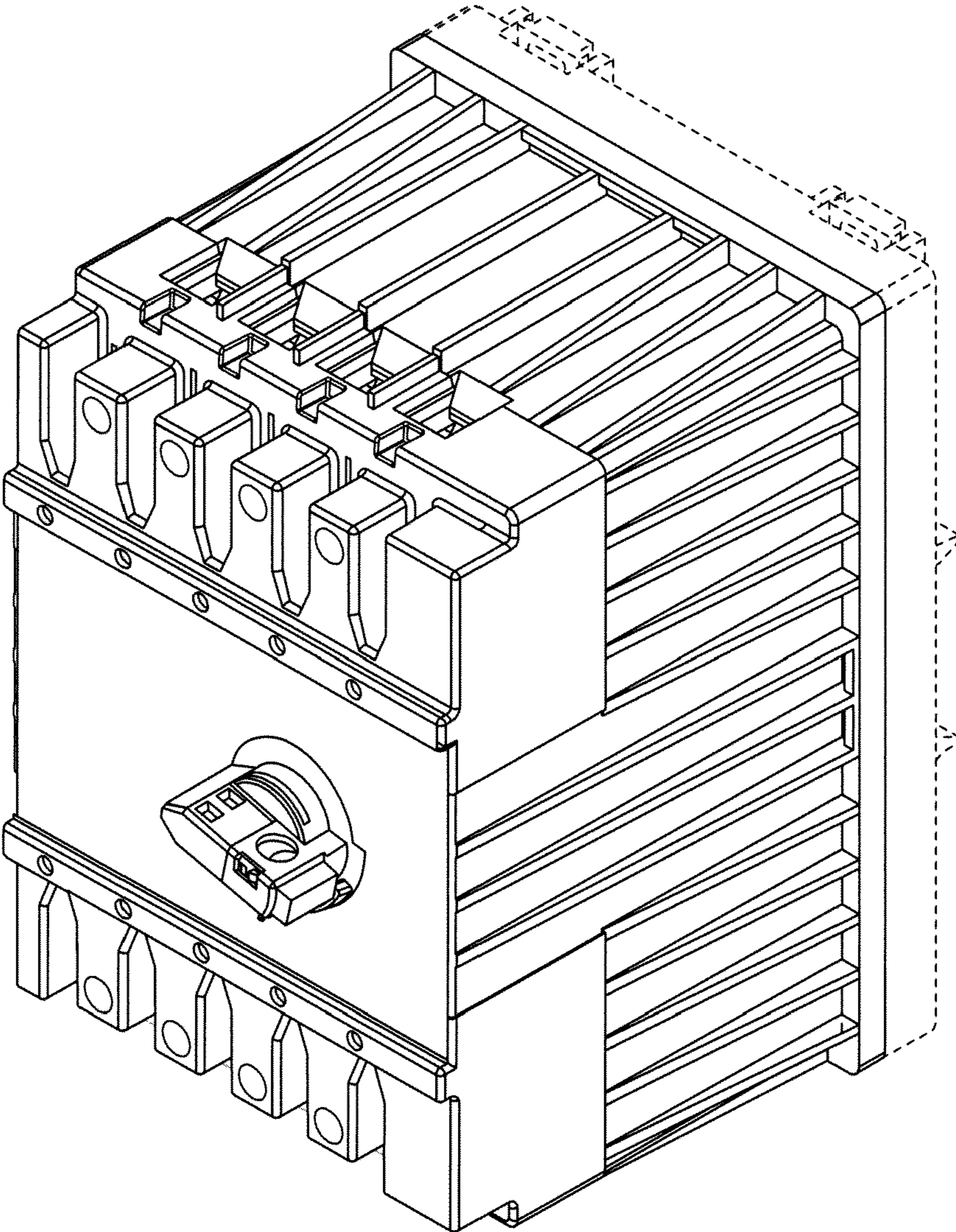


FIG. 1

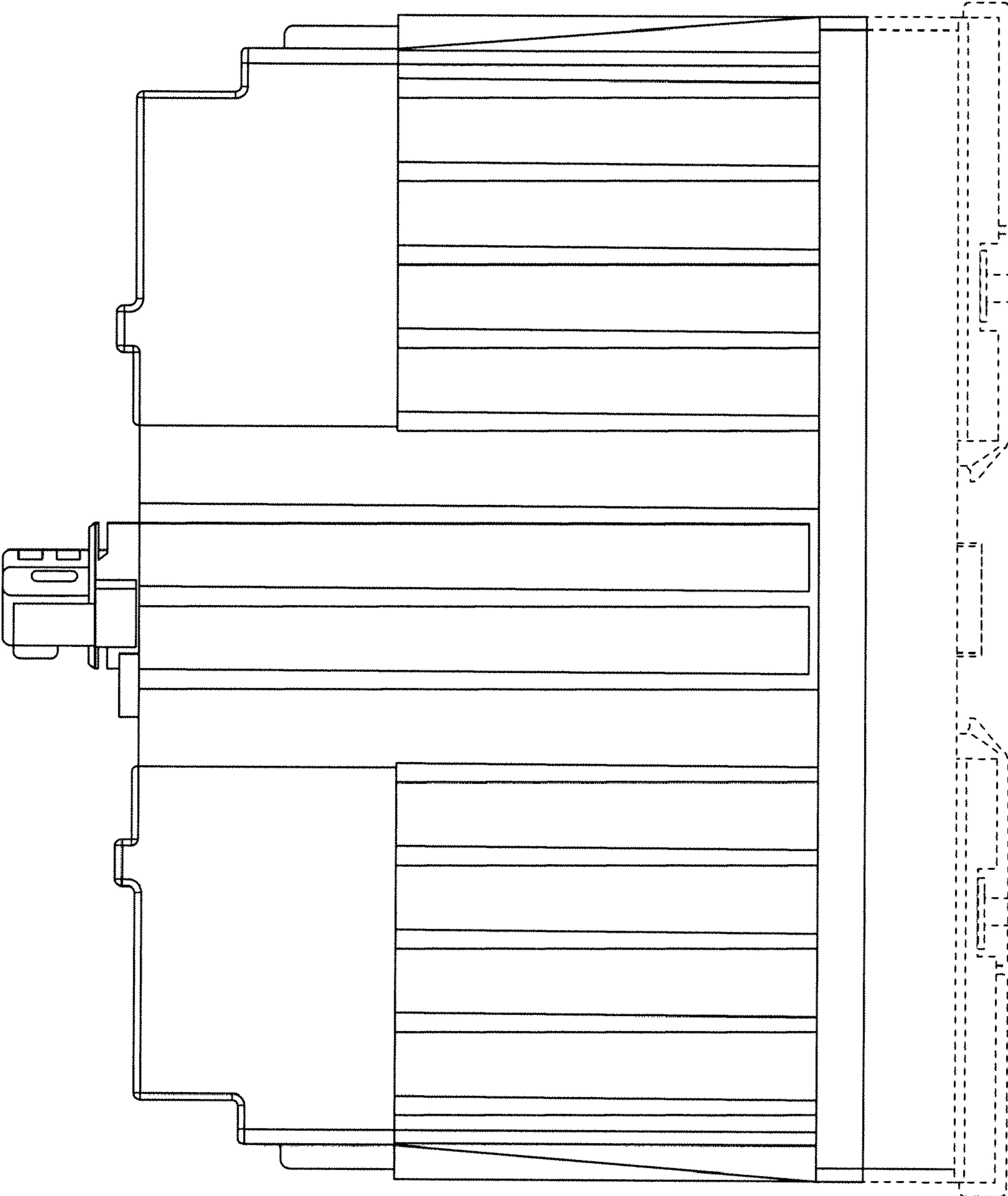


FIG. 2

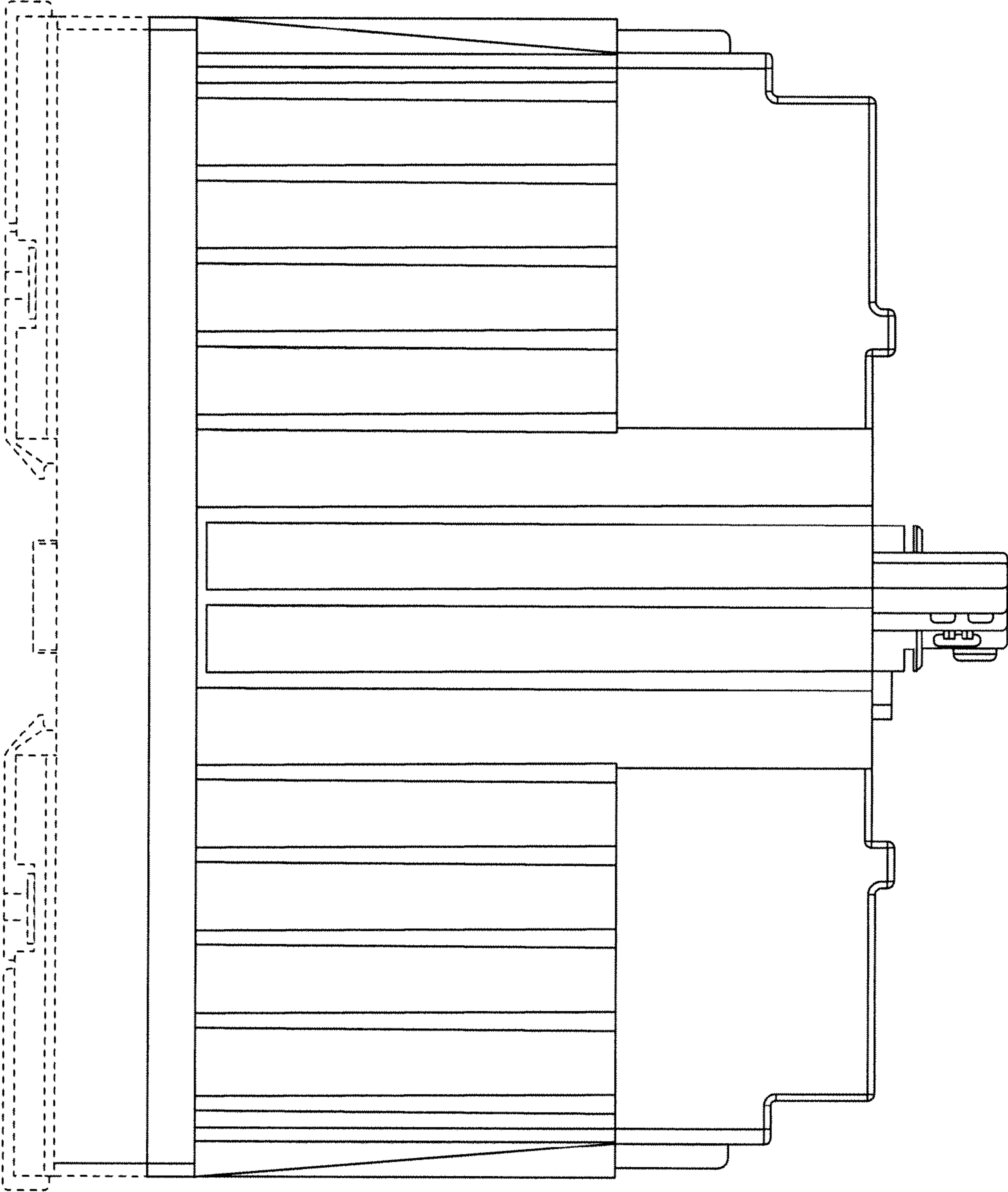


FIG. 3

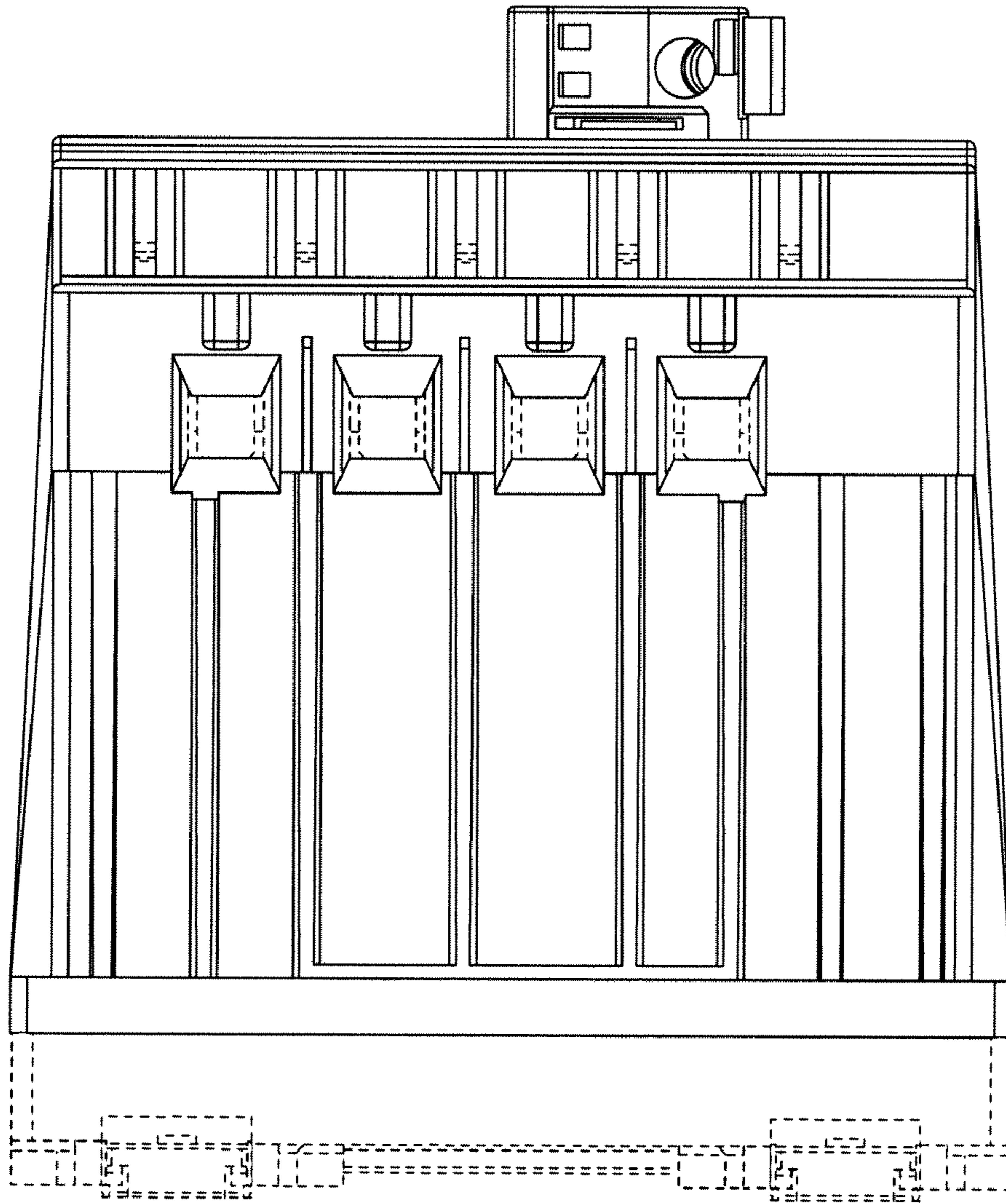


FIG. 4

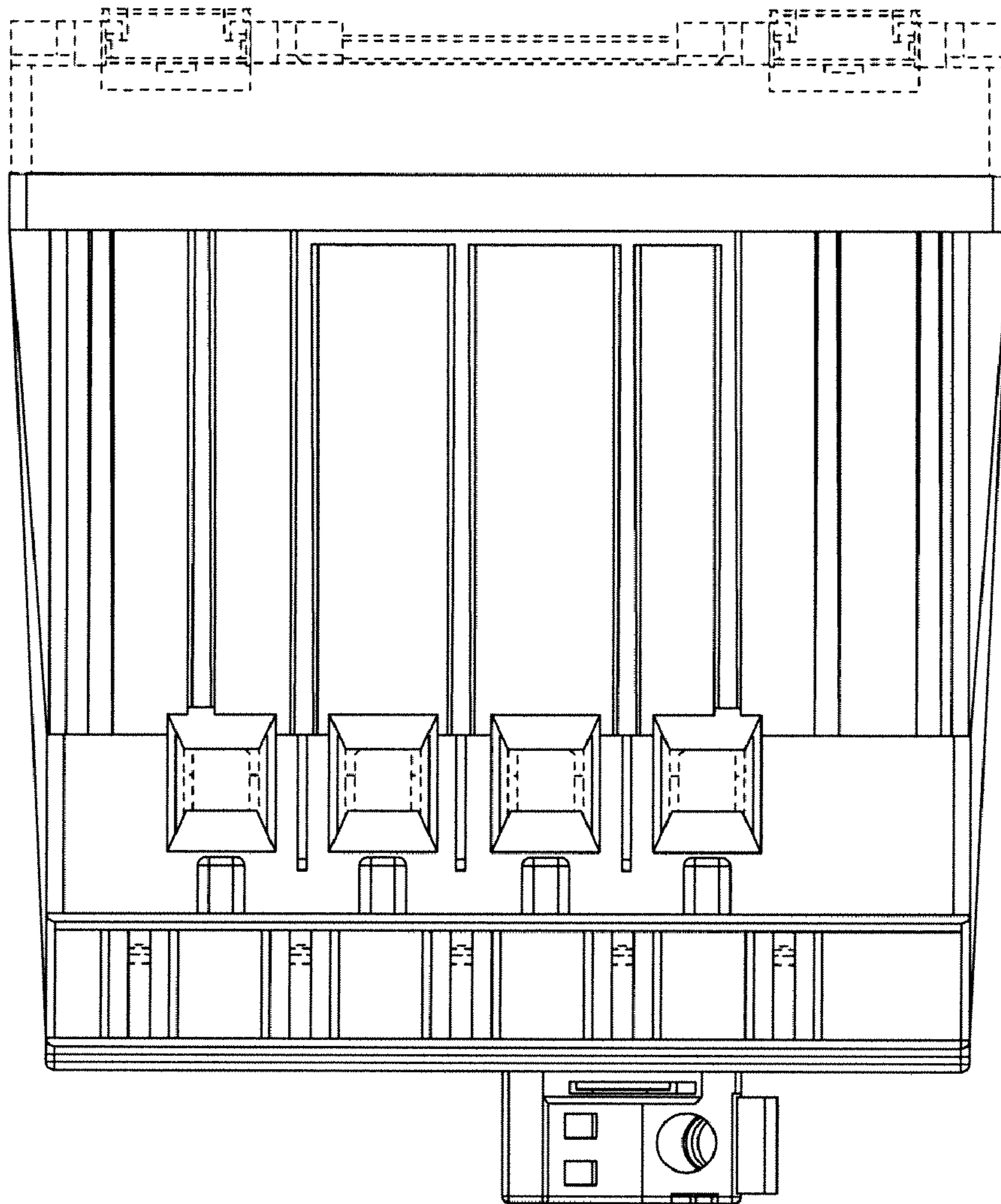


FIG. 5

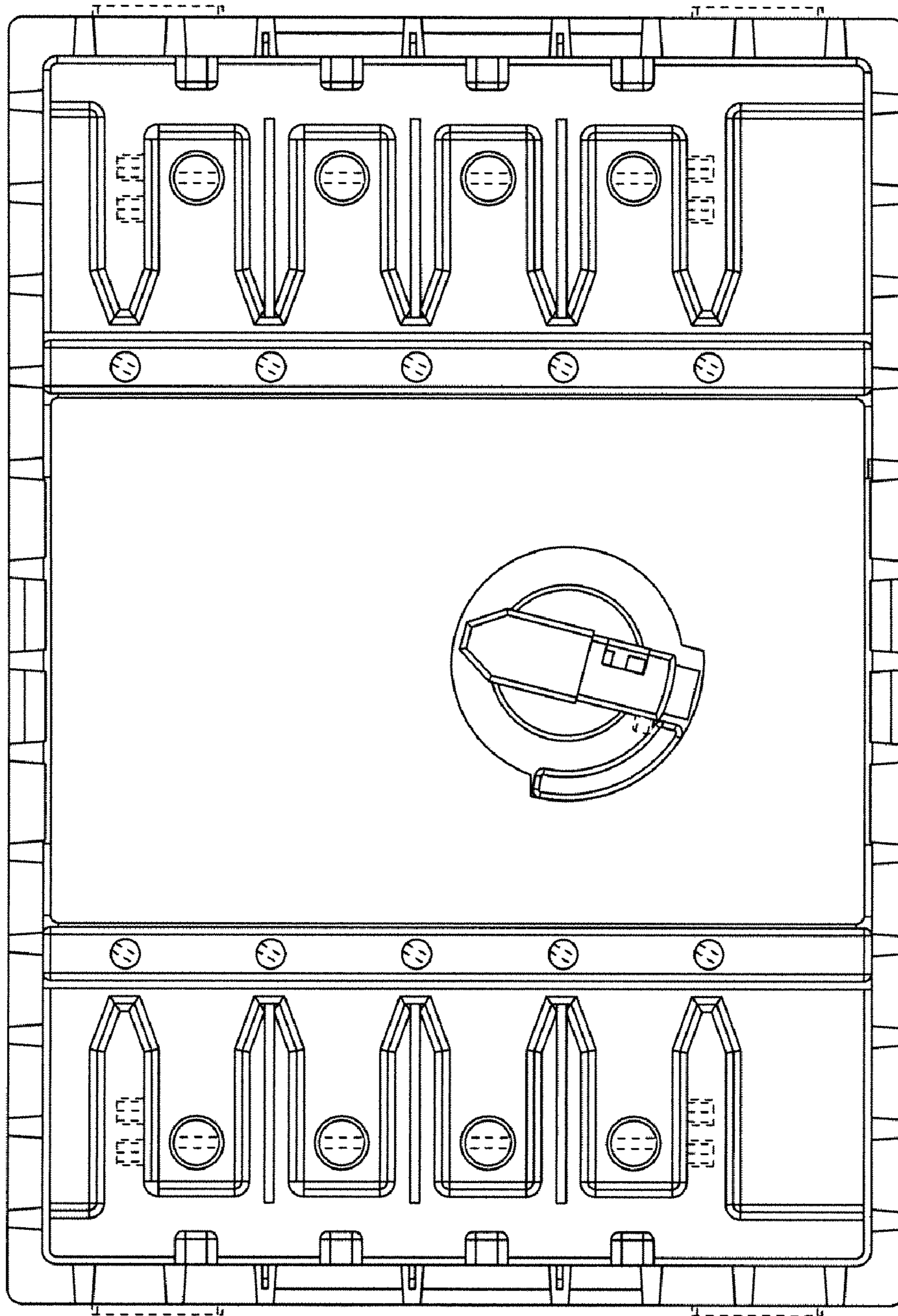


FIG. 6