



US00D643372S

(12) **United States Design Patent**
Montena et al.

(10) **Patent No.:** **US D643,372 S**
(45) **Date of Patent:** **** Aug. 16, 2011**

- (54) **SEALING BOOT**
- (75) Inventors: **Noah Montena**, Syracuse, NY (US);
Chris Natoli, Fulton, NY (US)
- (73) Assignee: **John Mezzalingua Associates, Inc.**,
East Syracuse, NY (US)
- (**) Term: **14 Years**
- (21) Appl. No.: **29/376,068**
- (22) Filed: **Oct. 1, 2010**

4,822,293 A	4/1989	Robson	
4,998,894 A	3/1991	Gronvall	
D322,954 S	1/1992	Avramovich	
5,132,495 A	7/1992	Ewing et al.	
D331,567 S	12/1992	Braga et al.	
5,299,951 A	4/1994	Blaetz	
5,502,280 A	3/1996	Rocci et al.	
5,564,951 A	10/1996	Attal et al.	
5,816,853 A	10/1998	Buekers et al.	
5,844,171 A	12/1998	Fitzgerald	
5,857,865 A	1/1999	Shimirak et al.	
D407,378 S	3/1999	Lee	
6,162,087 A	12/2000	Hiura	
6,273,733 B1	8/2001	Uchiyama	
D451,073 S *	11/2001	Yasuda et al.	D13/133
D456,363 S	4/2002	Lee	
D458,351 S	6/2002	Chen	
6,558,180 B2	5/2003	Nishimoto	
D496,000 S	9/2004	Cornell	

Related U.S. Application Data

- (63) Continuation of application No. 12/760,134, filed on Apr. 14, 2010.
- (51) **LOC (9) Cl.** **13-03**
- (52) **U.S. Cl.** **D13/156**
- (58) **Field of Classification Search** D13/133,
D13/153, 154, 156, 184; 439/271, 275, 277,
439/278, 279, 281, 282, 283, 445, 447, 578,
439/583, 584, 927
See application file for complete search history.

Primary Examiner — Daniel Bui
(74) *Attorney, Agent, or Firm* — Stephen R. Yoder, Esq.

(57) **CLAIM**
The ornamental design for a sealing boot, as shown and described.

(56) **References Cited**

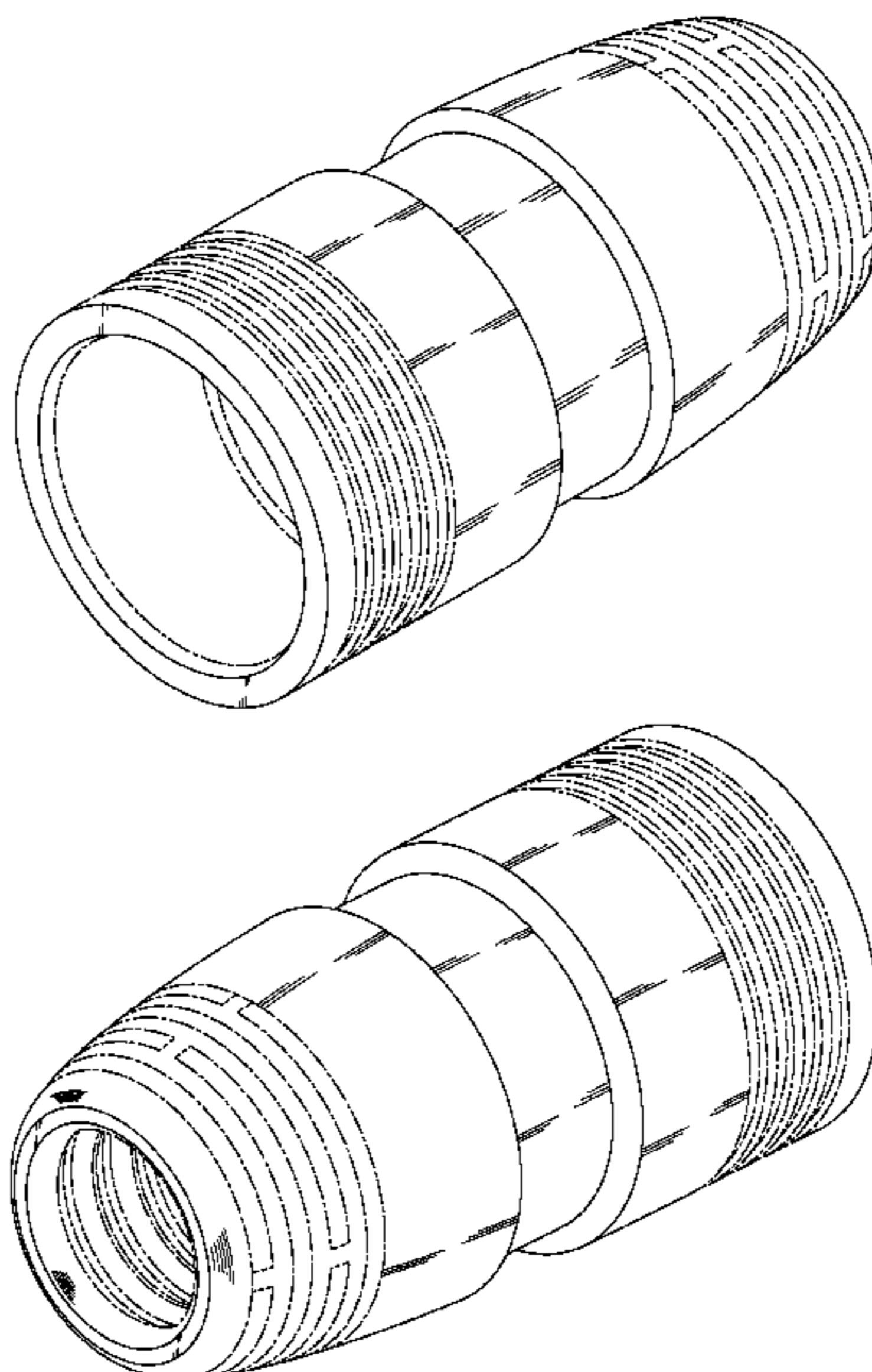
U.S. PATENT DOCUMENTS

2,881,406 A	4/1959	Arson
D188,102 S	6/1960	Yarick, Jr.
2,946,839 A	7/1960	Horning
D206,662 S	1/1967	Karol
3,390,375 A	6/1968	Salmonson
3,528,051 A	9/1970	Toedtman et al.
3,713,077 A	1/1973	Leonard
3,753,192 A	8/1973	Urani
D231,534 S	4/1974	Carder
3,861,777 A	1/1975	Clark
4,173,385 A	11/1979	Fenn et al.
4,224,464 A	9/1980	Bunnell et al.
4,283,597 A	8/1981	Cooper, Jr.
4,325,600 A	4/1982	Nestor
4,593,962 A	6/1986	Knorreck et al.

DESCRIPTION

FIG. 1 is a top, front perspective view of a sealing boot showing our new design;
FIG. 2 is a top, back perspective view thereof;
FIG. 3 is a top plan view thereof, the bottom plan view being a mirror image thereto;
FIG. 4 is a left side elevation view thereof, the right side elevation view being a mirror image thereto;
FIG. 5 is a front elevation view thereof; and,
FIG. 6 is a back elevation view thereof.
The broken line portion of the figure drawings is included to show unclaimed subject matter only and forms no part of the claimed design.

1 Claim, 5 Drawing Sheets



US D643,372 S

Page 2

U.S. PATENT DOCUMENTS			
D500,475	S	1/2005	Noro et al.
D504,113	S *	4/2005	Montena D13/154
6,929,265	B2	8/2005	Holland et al.
6,942,520	B2	9/2005	Barlian et al.
D512,023	S	11/2005	Bachmann
7,001,202	B2	2/2006	Robbins
D524,738	S *	7/2006	Dobler D13/133
7,179,100	B2	2/2007	Montena
7,186,127	B2	3/2007	Montena
7,216,426	B2	5/2007	Borgstrom et al.
D549,178	S	8/2007	Amidon
D567,180	S *	4/2008	Sakamoto D13/133
D568,822	S *	5/2008	Kuo D13/154
7,402,063	B2	7/2008	Montena
D575,744	S	8/2008	Amidon
D584,228	S	1/2009	Strickland, Jr.
D586,757	S	2/2009	Minnick
D597,947	S	8/2009	Ono
D601,090	S	9/2009	Vigorito et al.
D605,595	S	12/2009	Thomas
D631,848	S *	2/2011	Montena et al. D13/154
2006/0035508	A1	2/2006	Stekelenburg
2006/0286862	A1	12/2006	Lubinsky et al.
2010/0248533	A1	9/2010	Montena

* cited by examiner

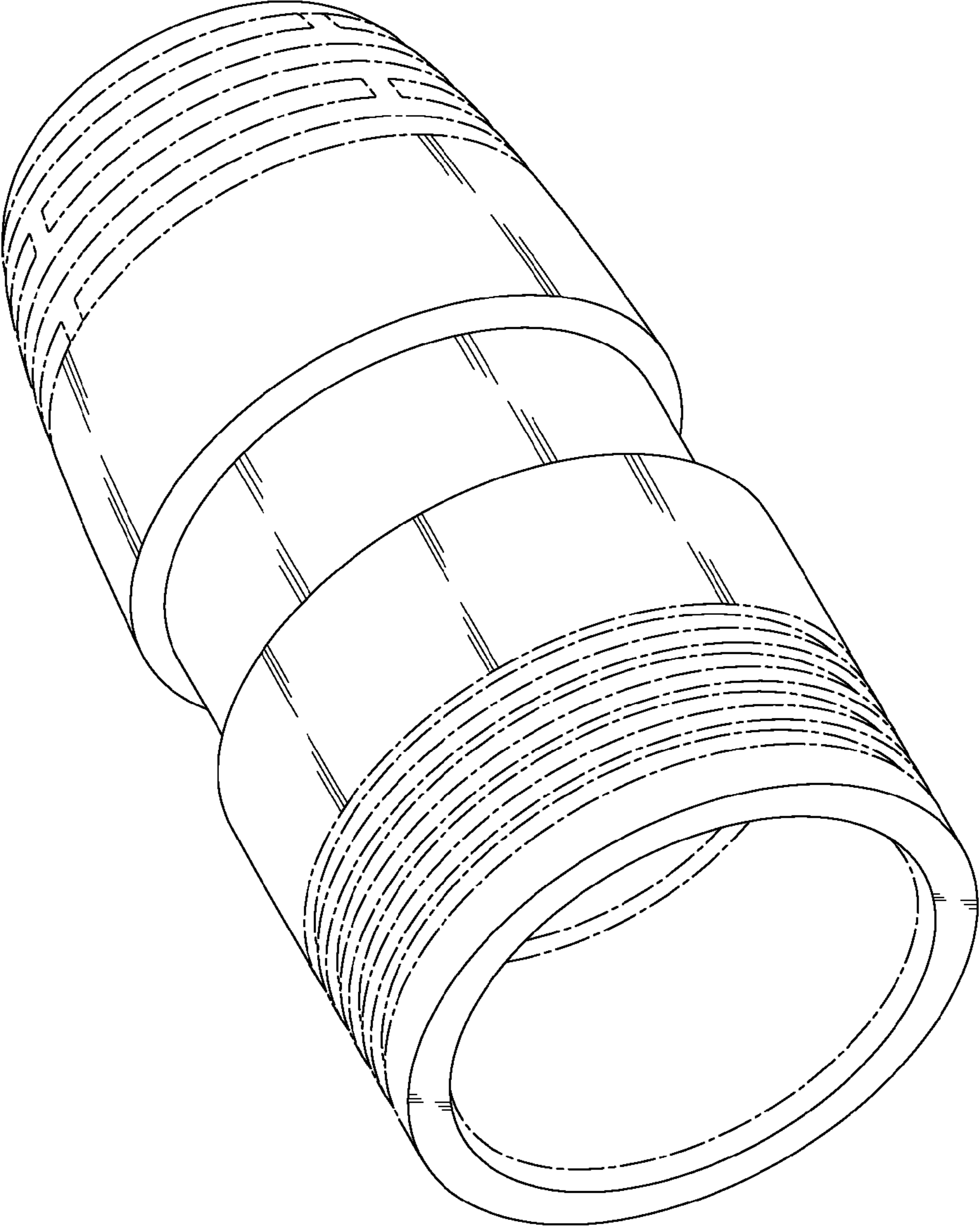


FIG. 1

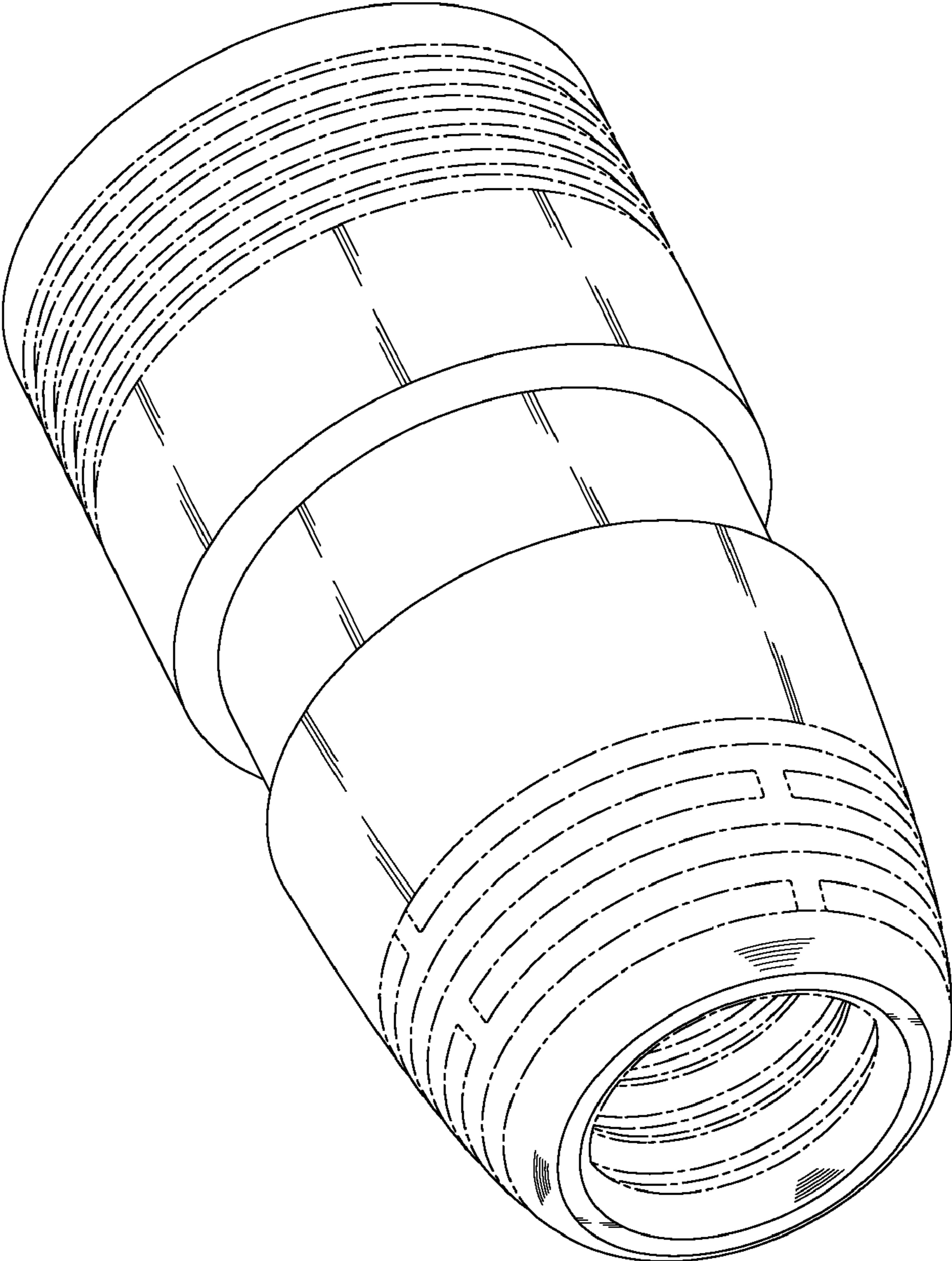


FIG. 2

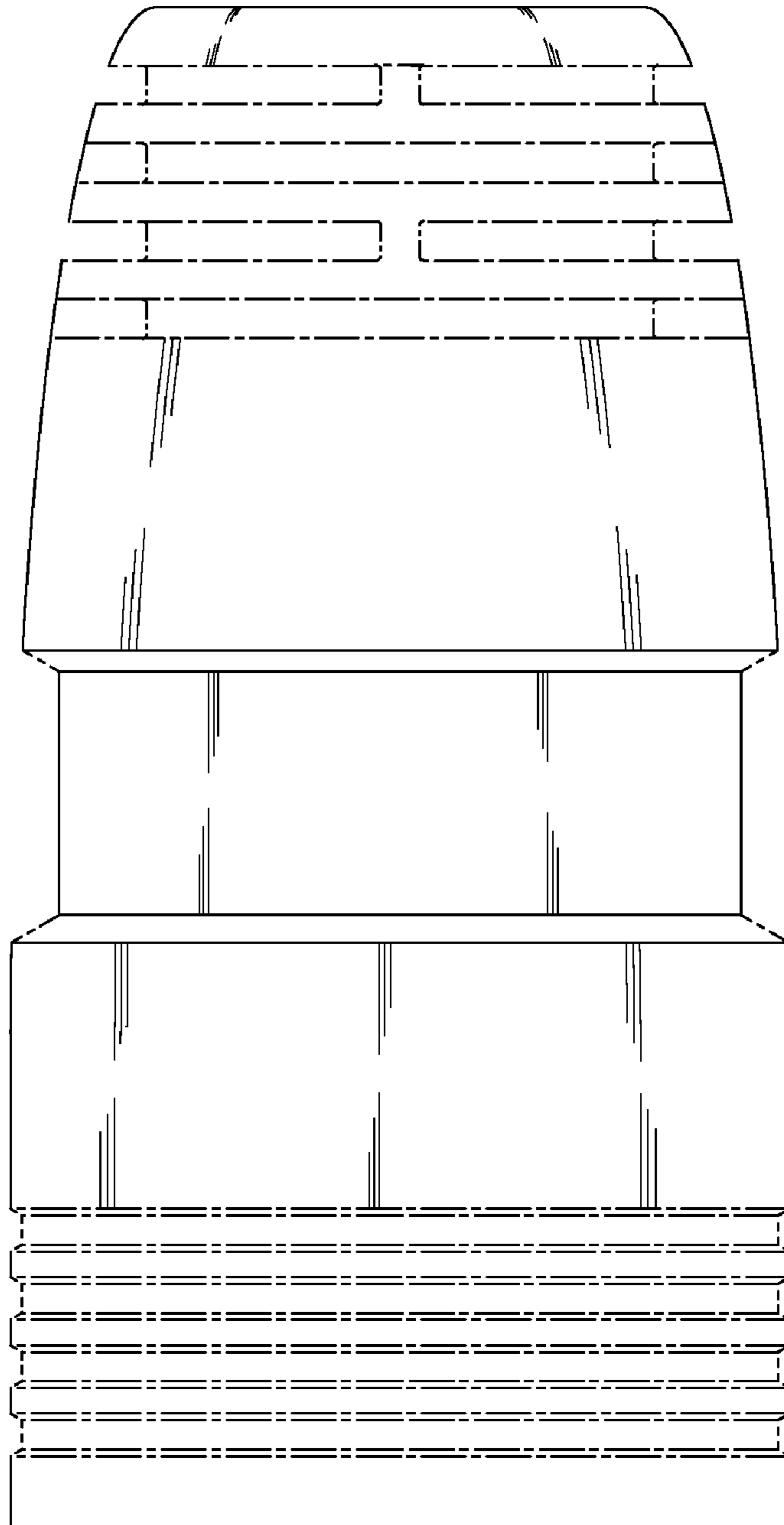


FIG. 4

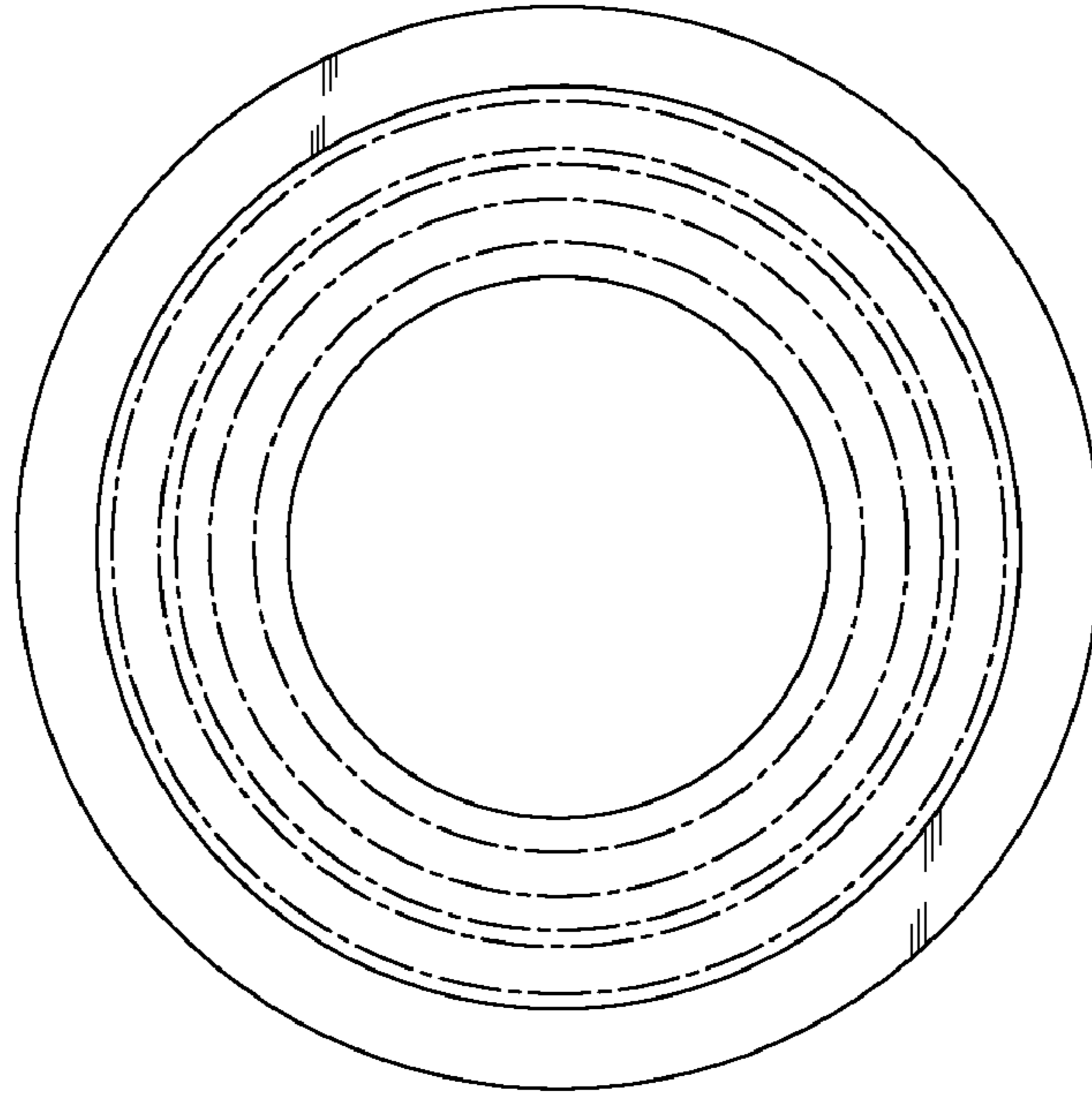


FIG. 5

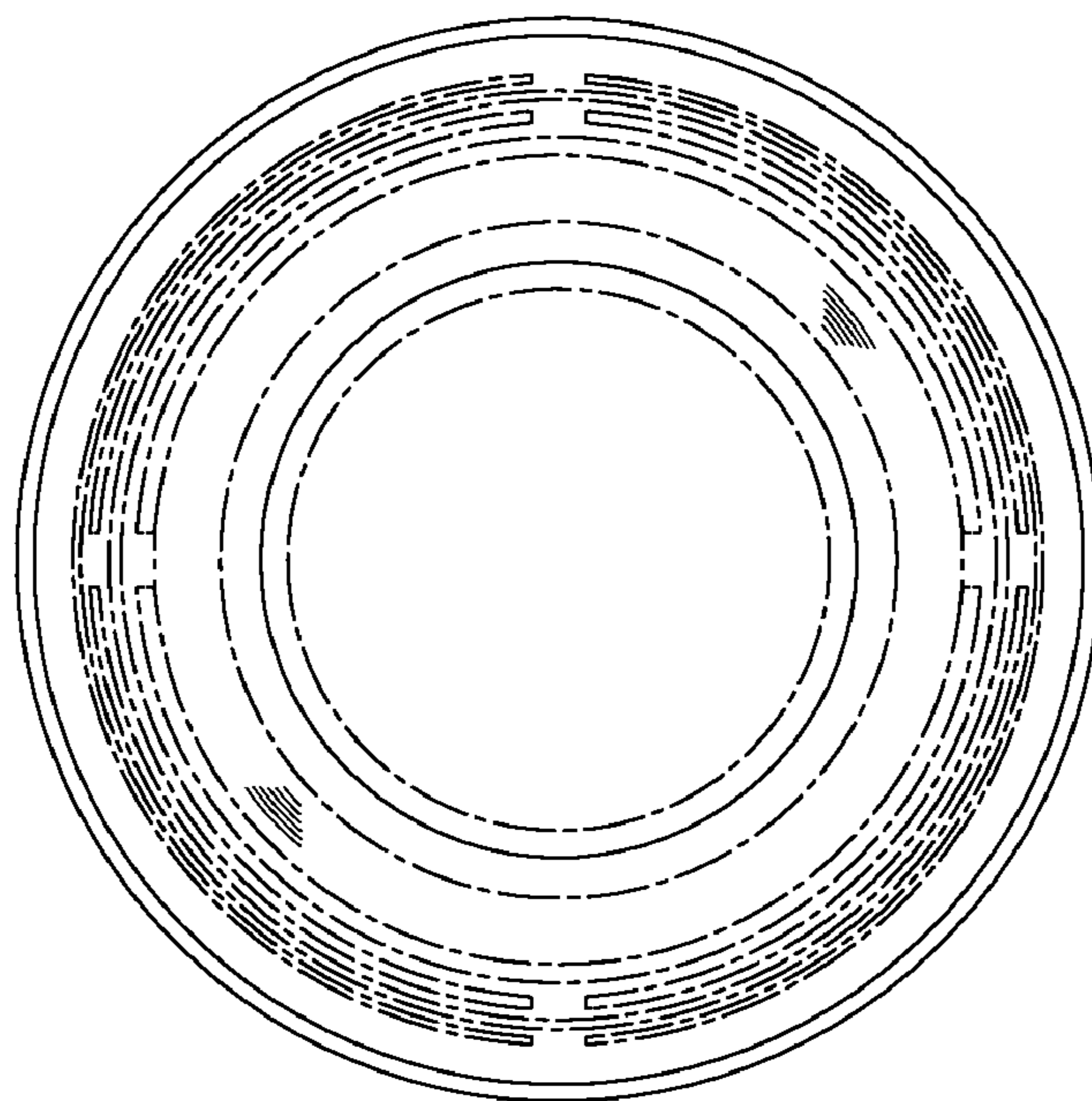


FIG. 6