



US00D643370S

(12) **United States Design Patent**
Eriksen et al.

(10) **Patent No.:** **US D643,370 S**

(45) **Date of Patent:** **** Aug. 16, 2011**

(54) **OPEN COMPRESSION-TYPE RIGHT ANGLE COAXIAL CABLE CONNECTOR**

(75) Inventors: **Kim Lundgren Eriksen**, Vordingborg (DK); **Jeremy Amidon**, Marcellus, NY (US)

(73) Assignee: **John Mezzalingua Associates**, East Syracuse, NY (US)

(**) Term: **14 Years**

(21) Appl. No.: **29/365,439**

(22) Filed: **Jul. 9, 2010**

(51) **LOC (9) Cl.** **13-03**

(52) **U.S. Cl.** **D13/154**

(58) **Field of Classification Search** D13/133, D13/151, 153, 154, 156, 184; 439/180, 253, 439/254, 255, 256, 257, 378, 380, 447, 527, 439/533, 543, 578, 583, 584, 585, 623, 944
See application file for complete search history.

(56) **References Cited**

U.S. PATENT DOCUMENTS

D578,073 S * 10/2008 Amidon D13/151
D596,579 S 7/2009 Chawgo et al.
D596,580 S 7/2009 Chawgo et al.
D596,581 S * 7/2009 Amidon D13/151

D603,802 S 11/2009 Amidon
D603,803 S 11/2009 Amidon
D605,136 S 12/2009 Amidon
D611,912 S * 3/2010 Montena D13/151
D617,286 S * 6/2010 Montena D13/154

* cited by examiner

Primary Examiner — Daniel Bui

(74) *Attorney, Agent, or Firm* — Stephen R. Yoder, Esq.

(57) **CLAIM**

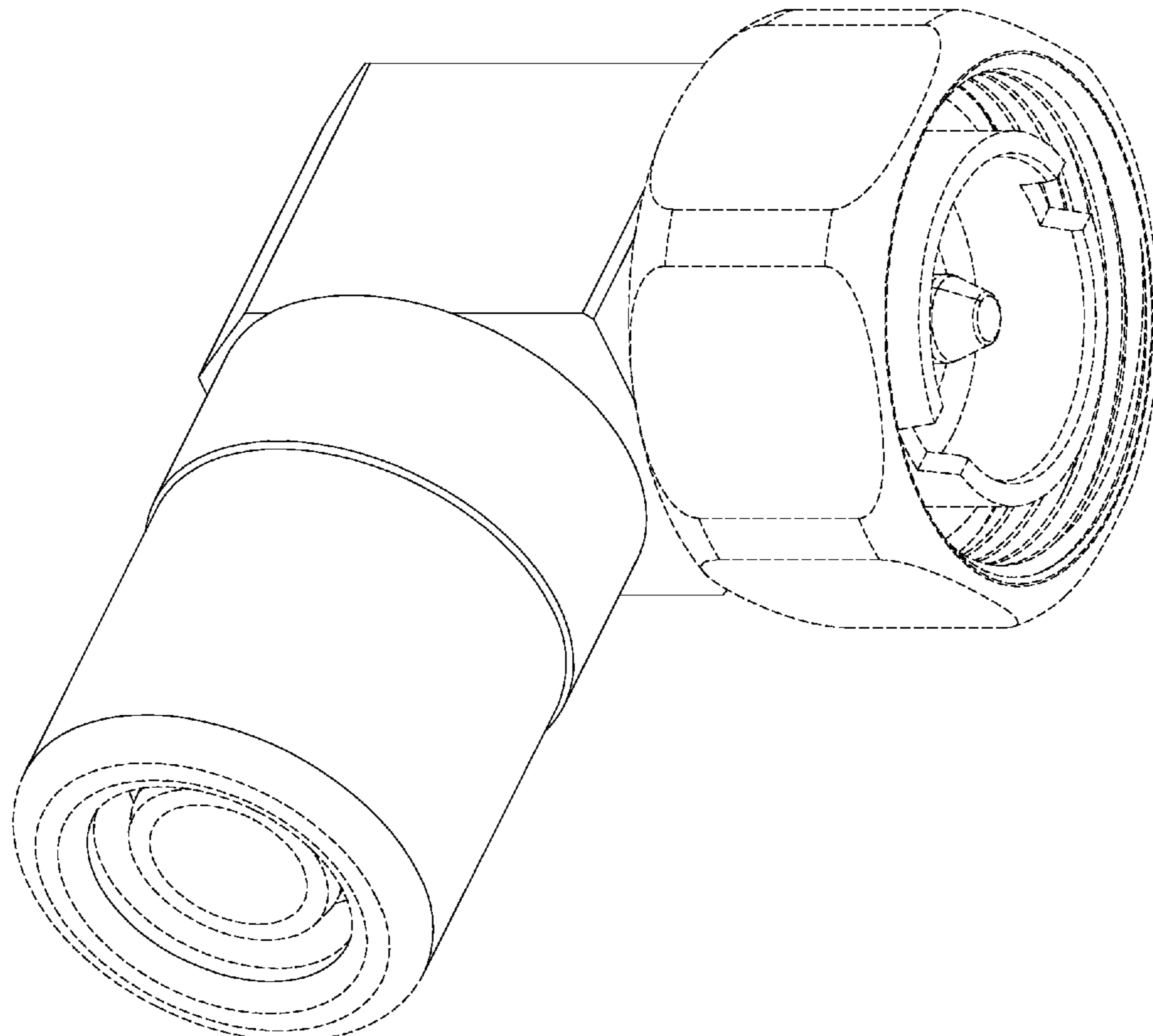
The ornamental design for an open compression-type right angle coaxial cable connector, as shown and described.

DESCRIPTION

FIG. 1 is a front perspective view showing our design for an open compression-type right angle coaxial cable connector; FIG. 2 is a back perspective view thereof; FIG. 3 is a top view thereof; FIG. 4 is a bottom view thereof; FIG. 5 is a left side view thereof, the claimed portion of which is a mirror image to a right side view; FIG. 6 is a front view thereof; and, FIG. 7 is a back view thereof.

The broken line portion of the figure drawings is included to show unclaimed subject matter only and forms no part of the claimed design.

1 Claim, 7 Drawing Sheets



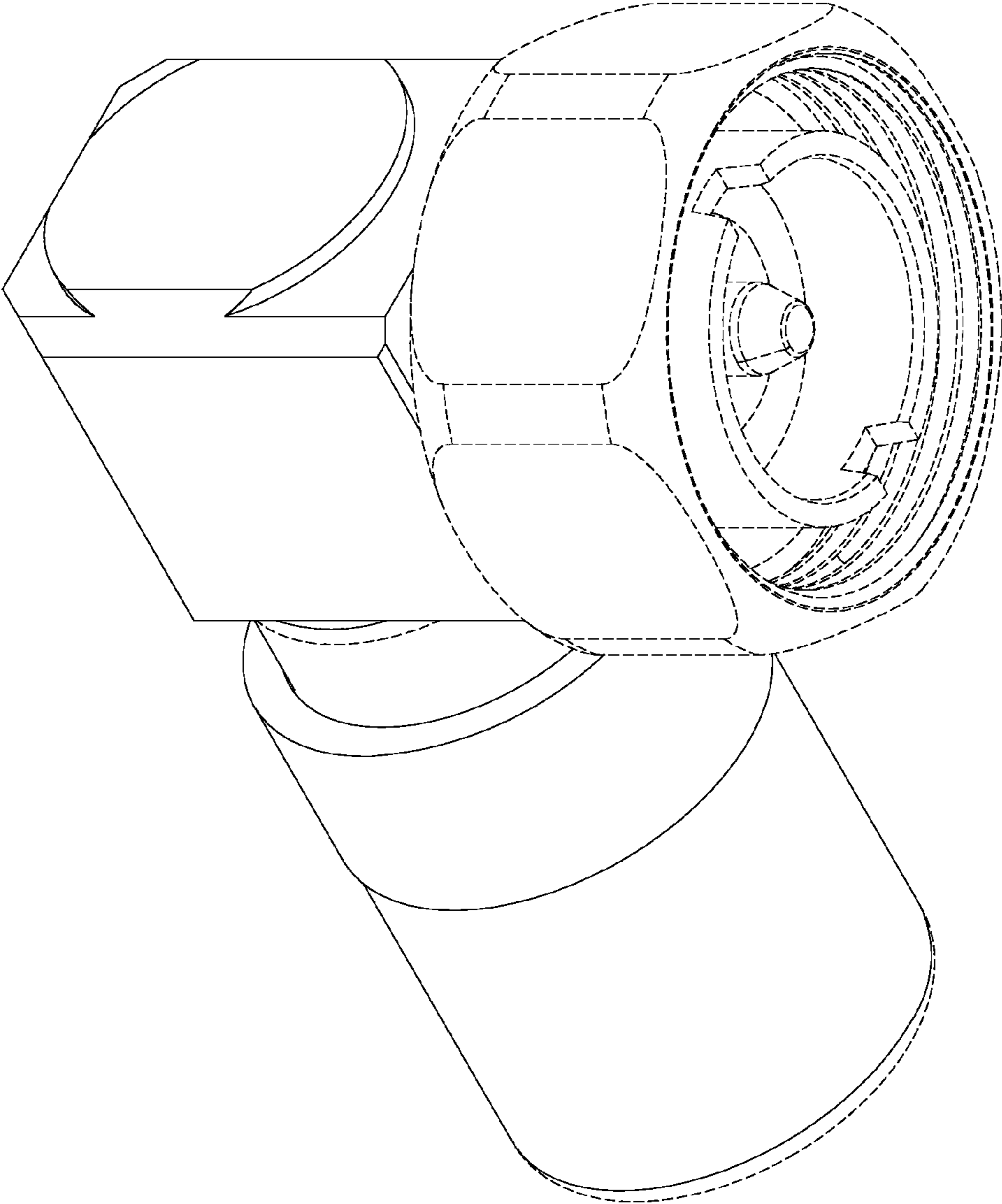


FIG. 1

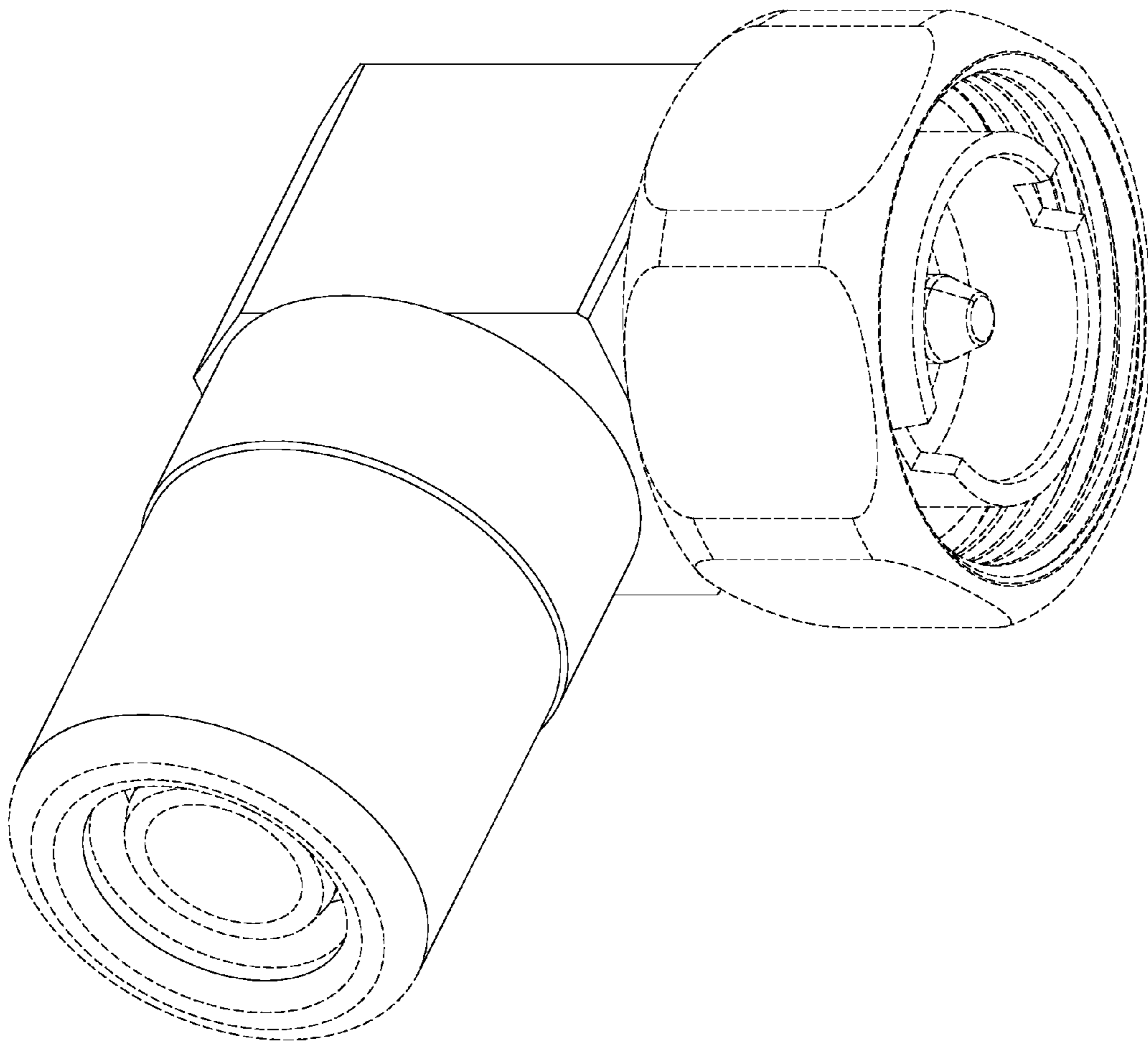


FIG. 2

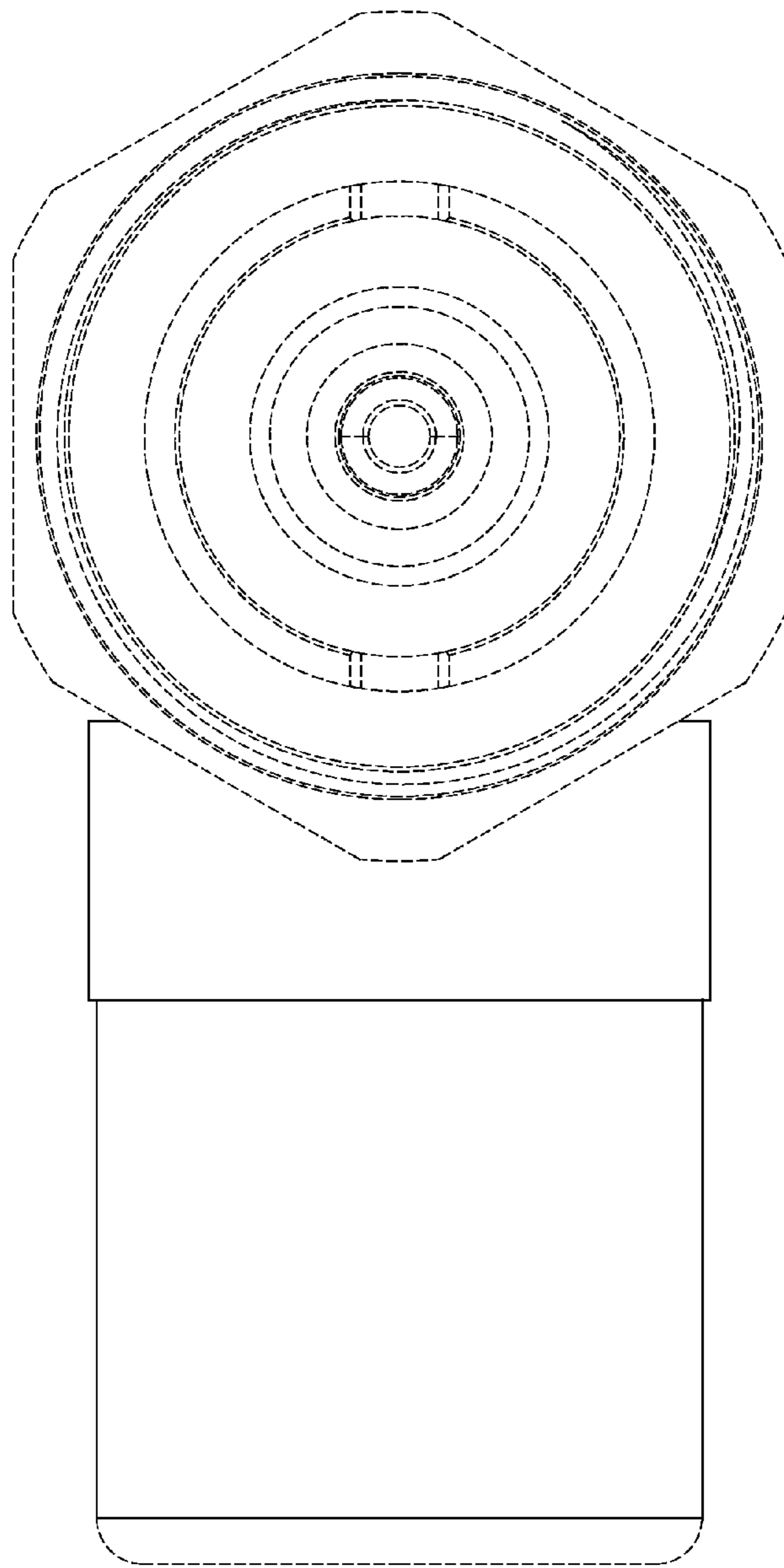


FIG. 3

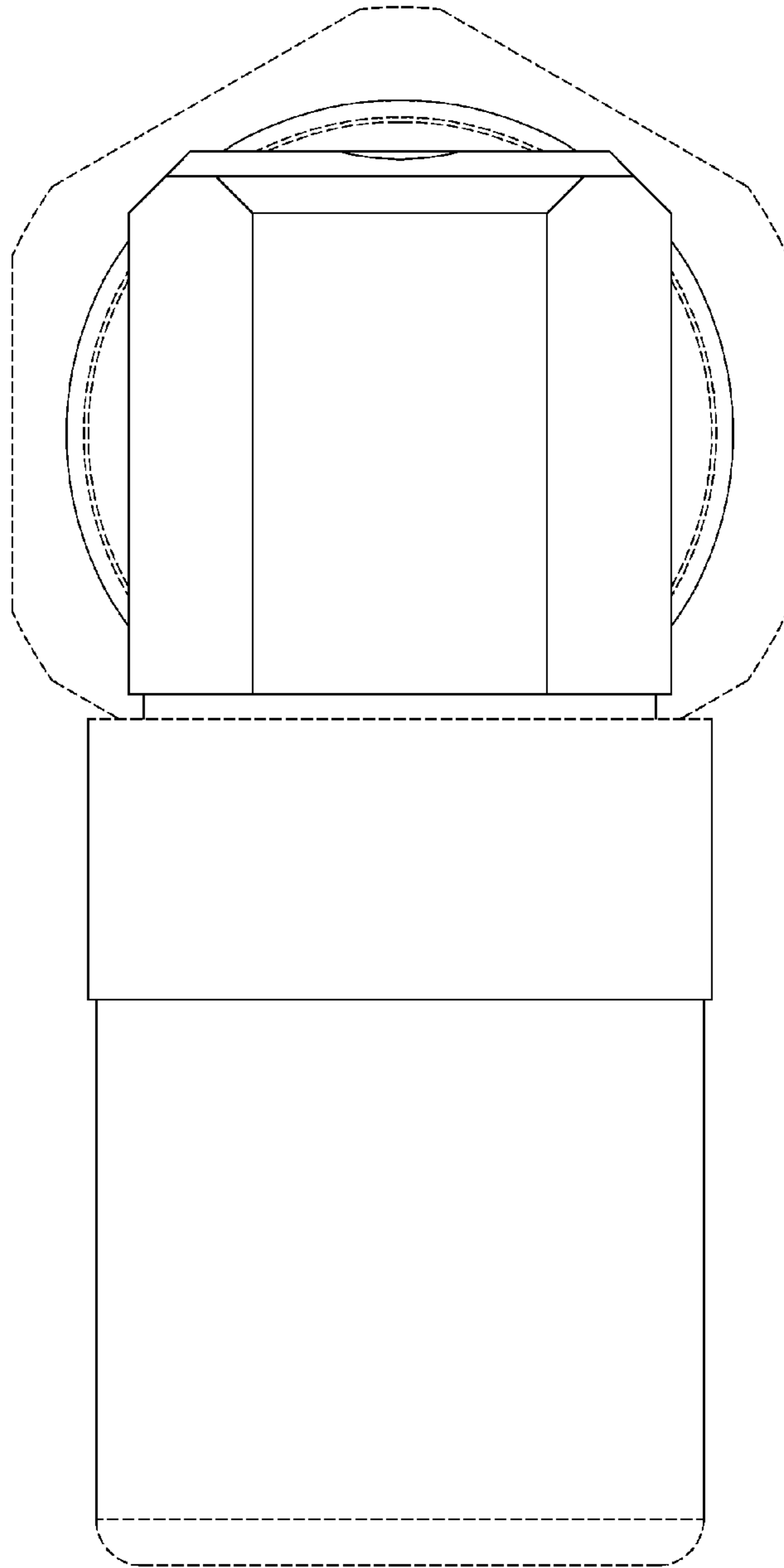


FIG. 4

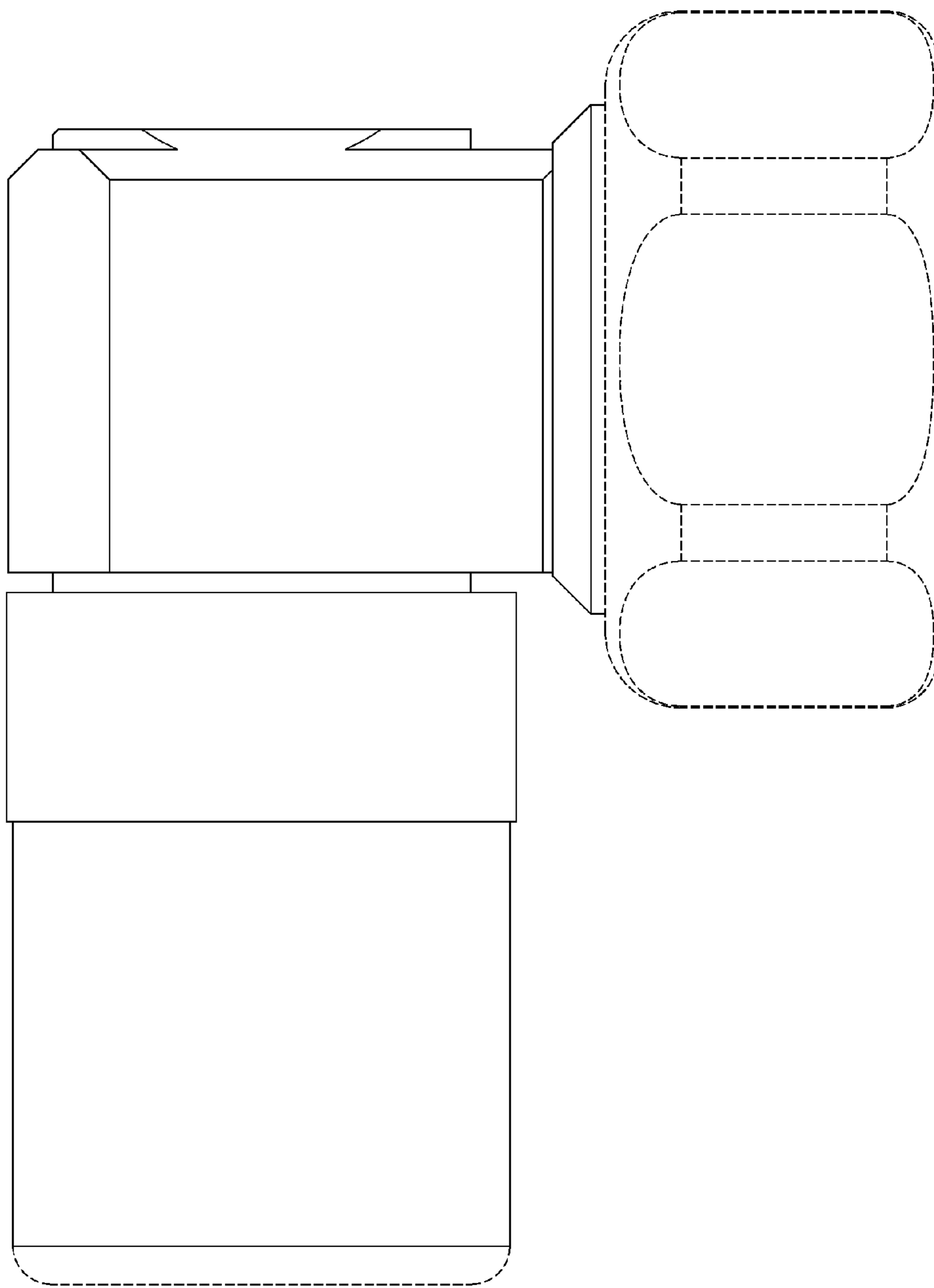


FIG. 5

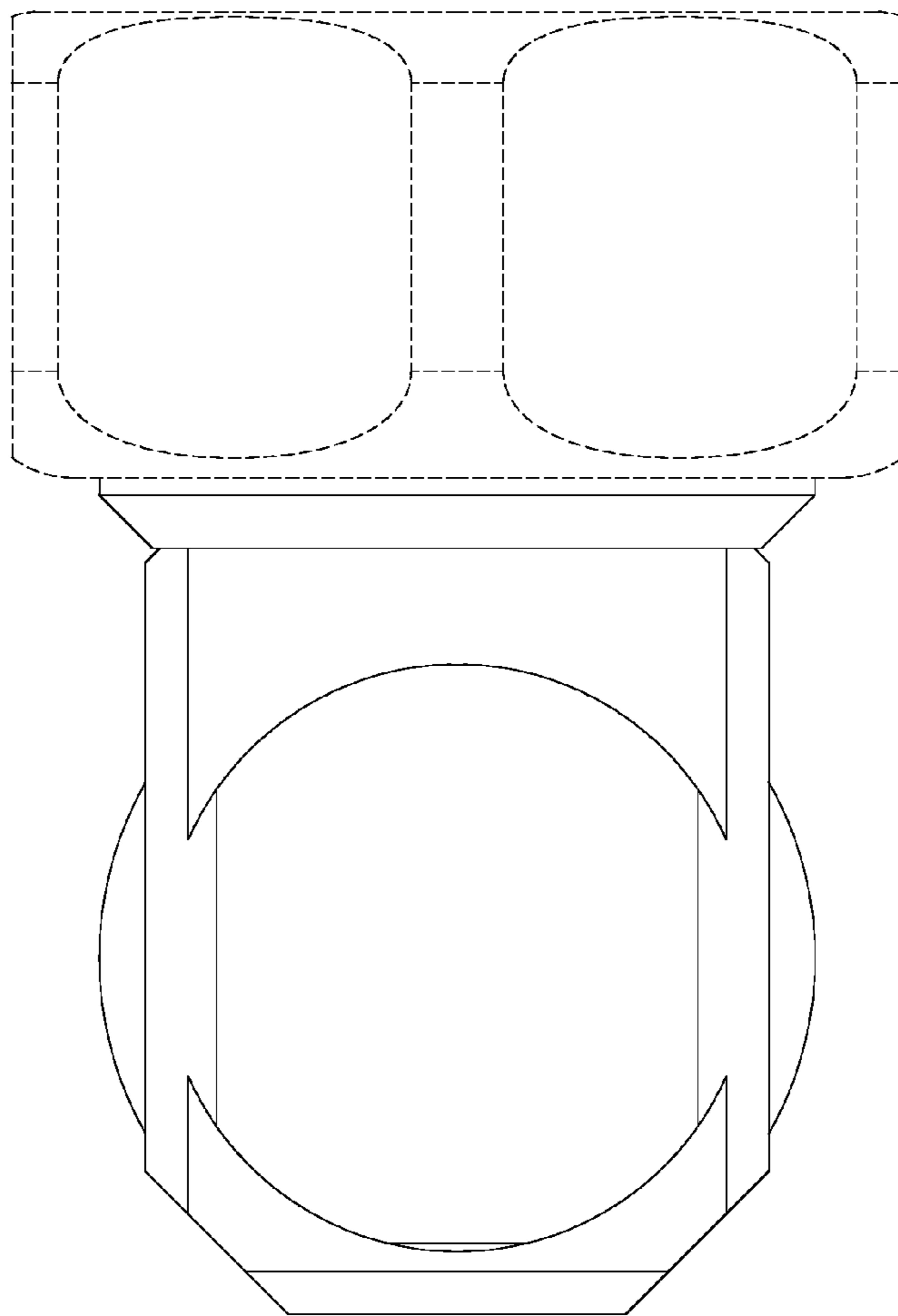


FIG. 6

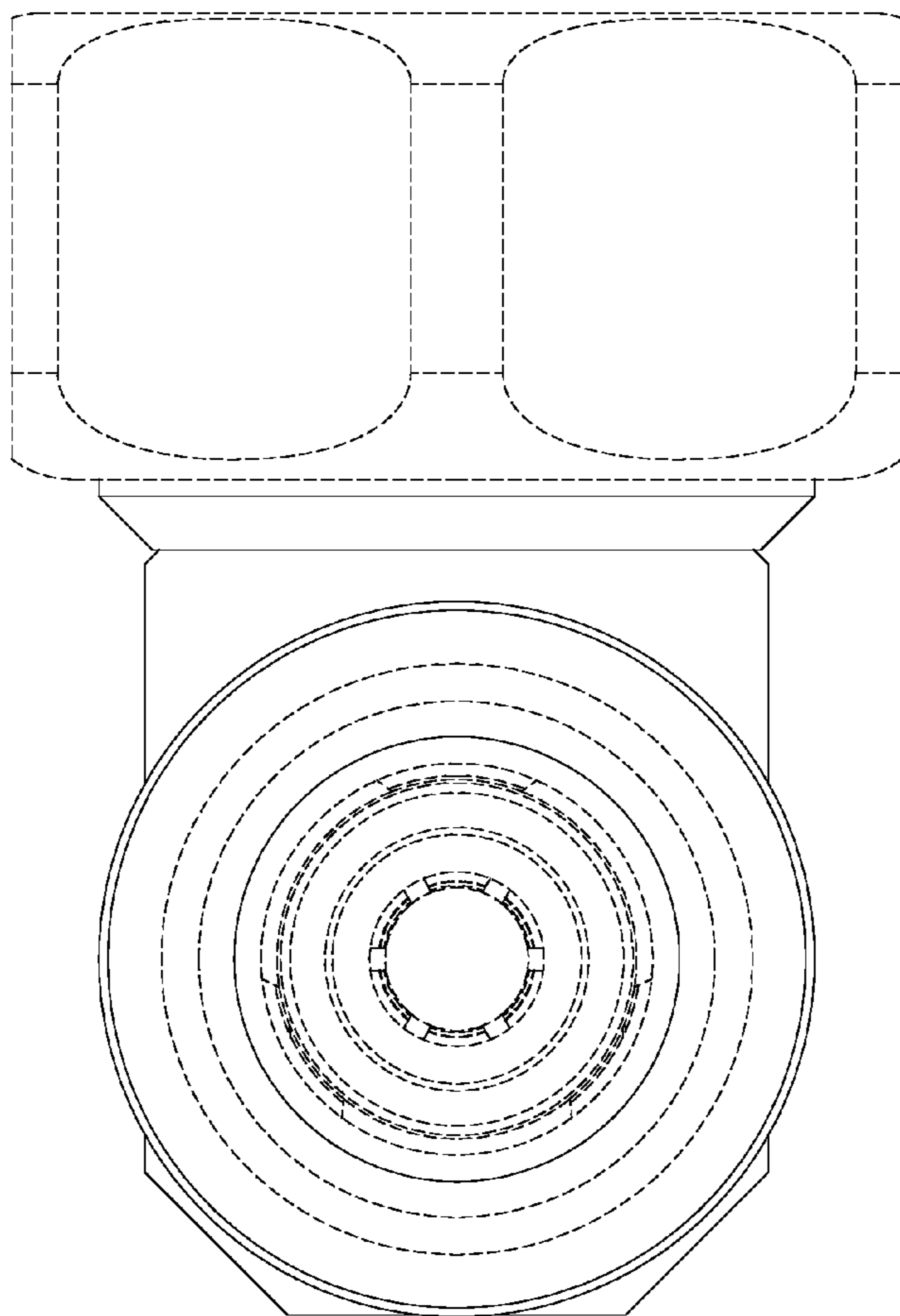


FIG. 7