



US00D643368S

(12) **United States Design Patent**
Zhang et al.

(10) **Patent No.:** **US D643,368 S**

(45) **Date of Patent:** **** Aug. 16, 2011**

(54) **BATTERY CONNECTOR**

(75) Inventors: **Hong-Tu Zhang**, Guang-Dong (CN);
Ping-Chih Chen, Tu-Cheng (TW);
Ming-Chiang Chen, Tu-Cheng (TW)

(73) Assignee: **Cheng Uei Precision Industry Co., Ltd.**, Tu-Cheng, Taipei Hsien (TW)

(**) Term: **14 Years**

(21) Appl. No.: **29/381,889**

(22) Filed: **Dec. 23, 2010**

(51) **LOC (9) Cl.** **13-03**

(52) **U.S. Cl.** **D13/120; D13/133**

(58) **Field of Classification Search** D13/103-106,
D13/118-121, 133, 147, 148, 154, 184, 199;
439/775-777, 816, 824, 845, 849, 867, 884,
439/902

See application file for complete search history.

(56) **References Cited**

U.S. PATENT DOCUMENTS

D419,133 S *	1/2000	Yoshida et al.	D13/120
D491,535 S *	6/2004	Chien	D13/154
D605,137 S *	12/2009	Yu et al.	D13/154
D614,582 S *	4/2010	Ye et al.	D13/154

D617,270 S *	6/2010	Mai	D13/120
D620,435 S *	7/2010	Yang et al.	D13/120
2005/0042938 A1 *	2/2005	Zheng et al.	439/824
2005/0070173 A1 *	3/2005	Zheng et al.	439/824

* cited by examiner

Primary Examiner — Rosemary K Tarcza

(74) *Attorney, Agent, or Firm* — Cheng-Ju Chiang

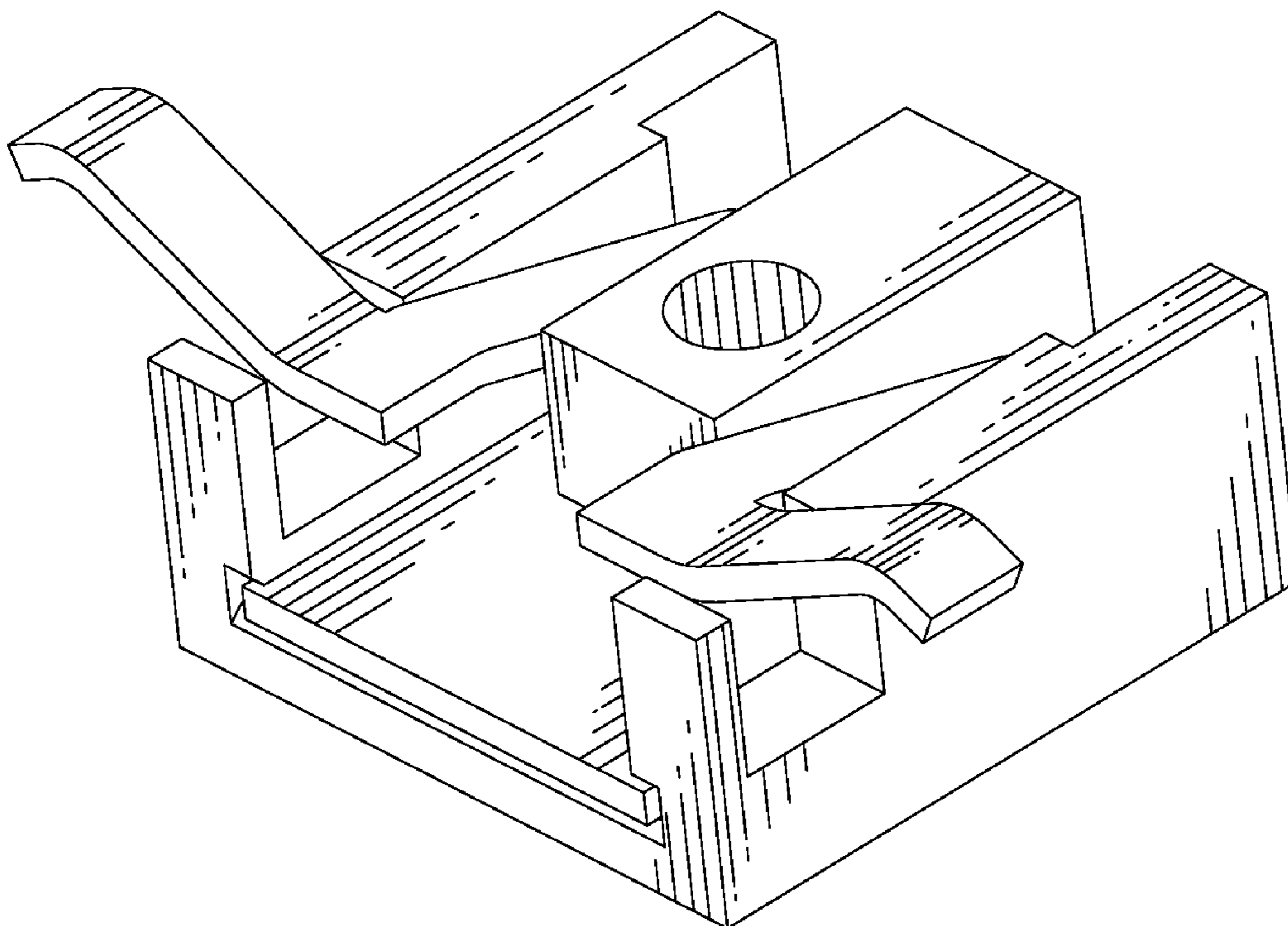
(57) **CLAIM**

The ornamental design for a battery connector, as shown and described.

DESCRIPTION

FIG. 1 is a perspective view of a battery connector showing our new design;
FIG. 2 is a front elevational view thereof;
FIG. 3 is a rear elevational view thereof;
FIG. 4 is a left side elevational view thereof;
FIG. 5 is a right side elevational view thereof;
FIG. 6 is a top plan view thereof;
FIG. 7 is a bottom plan view thereof;
FIG. 8 is another perspective view of the battery connector showing my new design; and,
FIG. 9 is a third perspective view of the battery connector showing my new design.

1 Claim, 9 Drawing Sheets



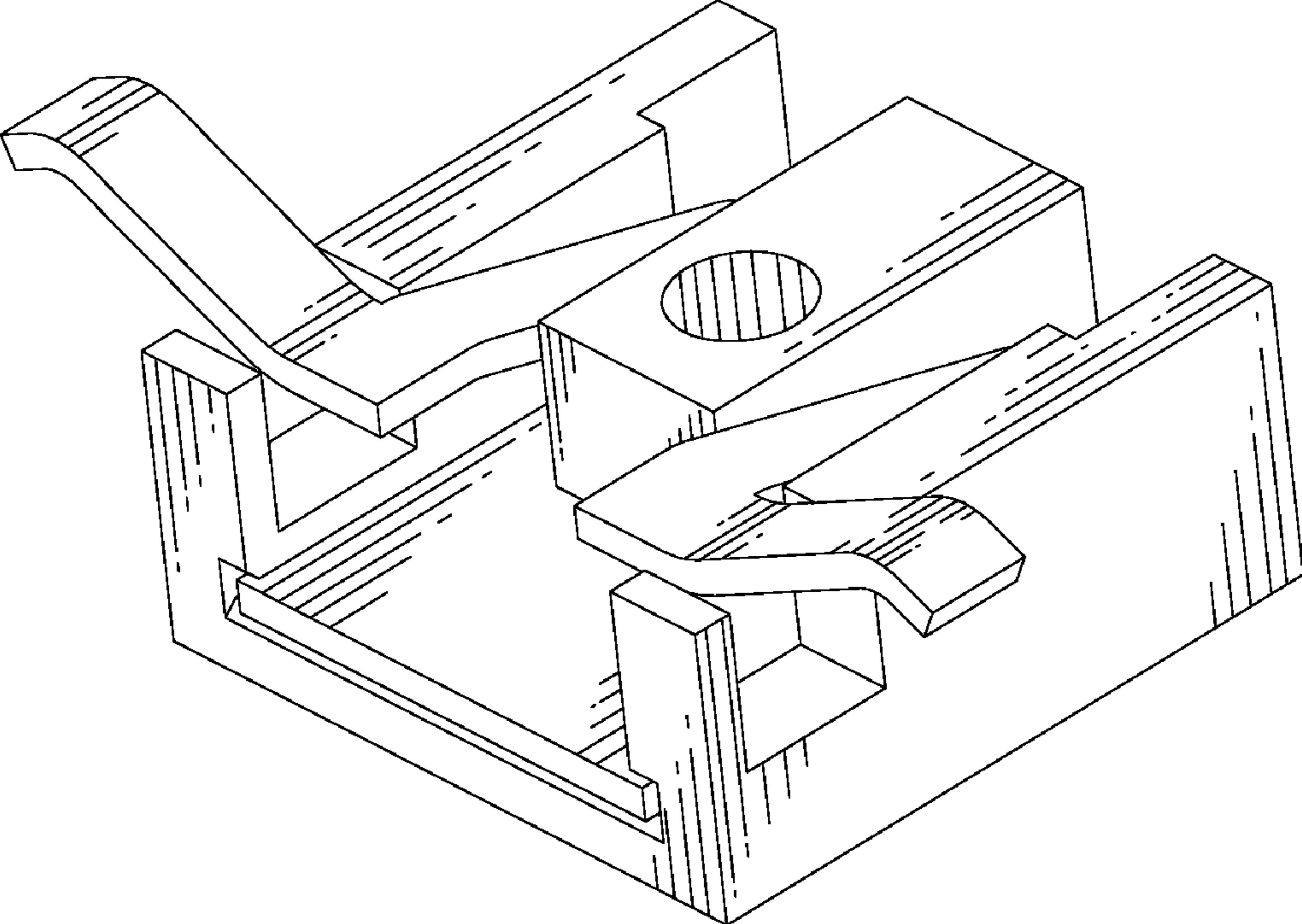


FIG. 1

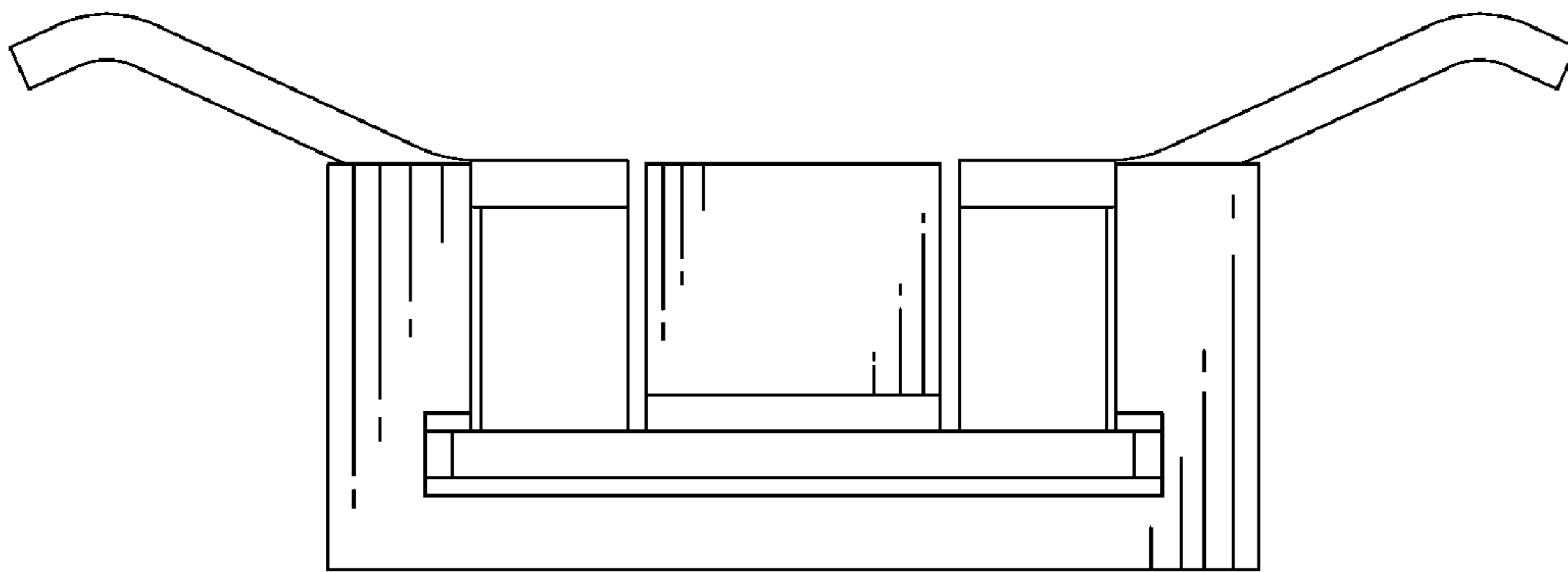


FIG. 2

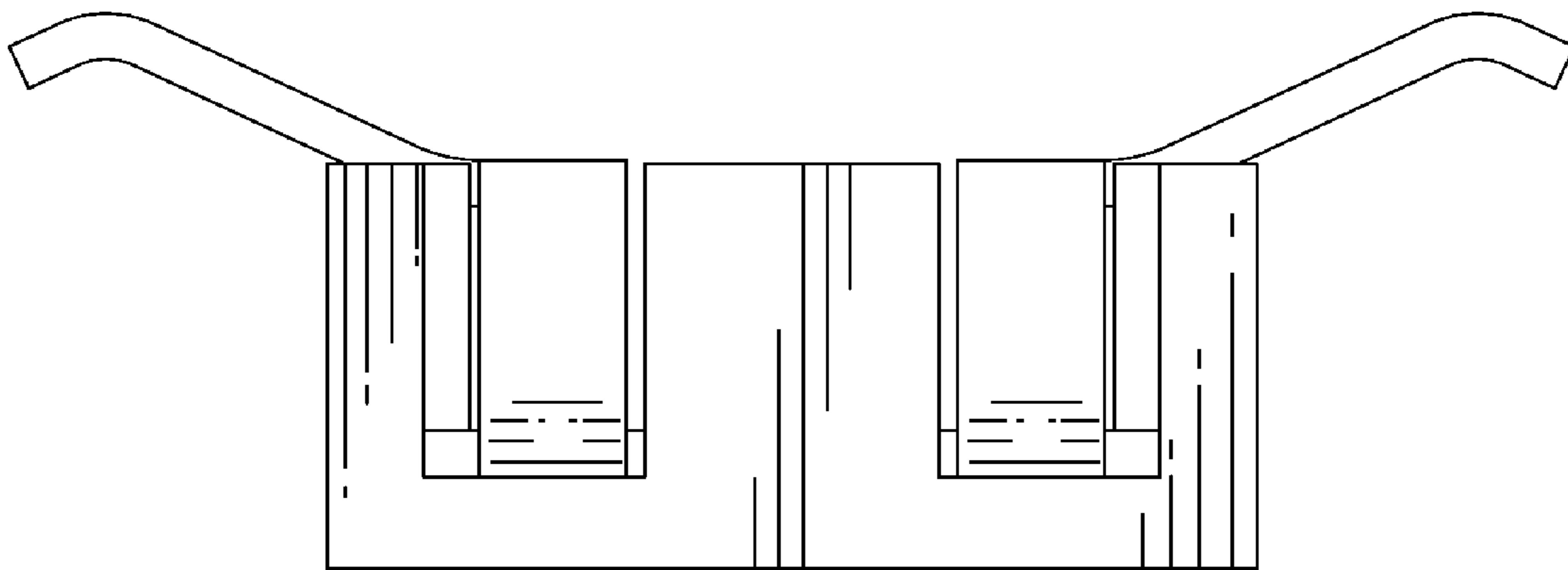


FIG. 3

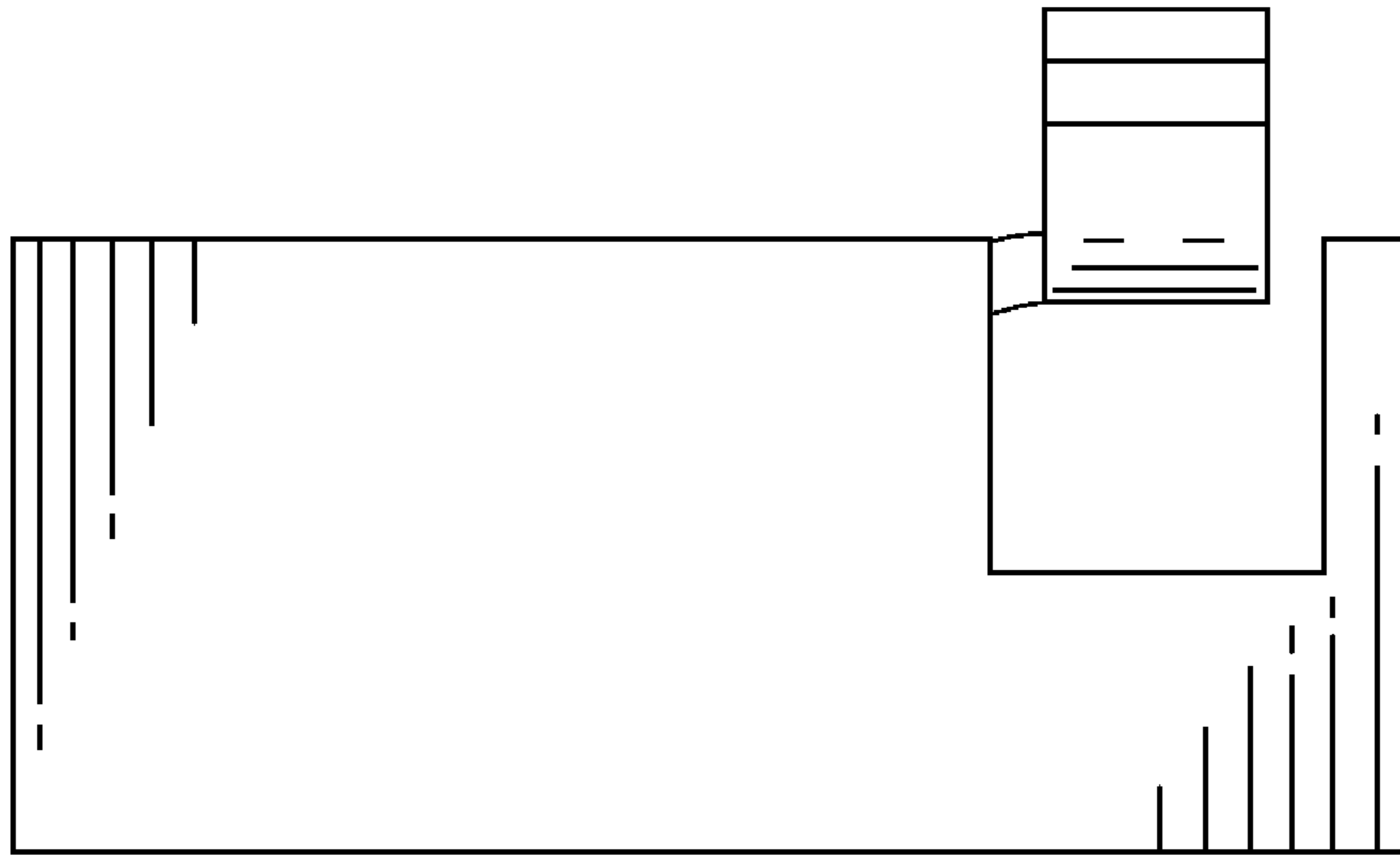


FIG. 4

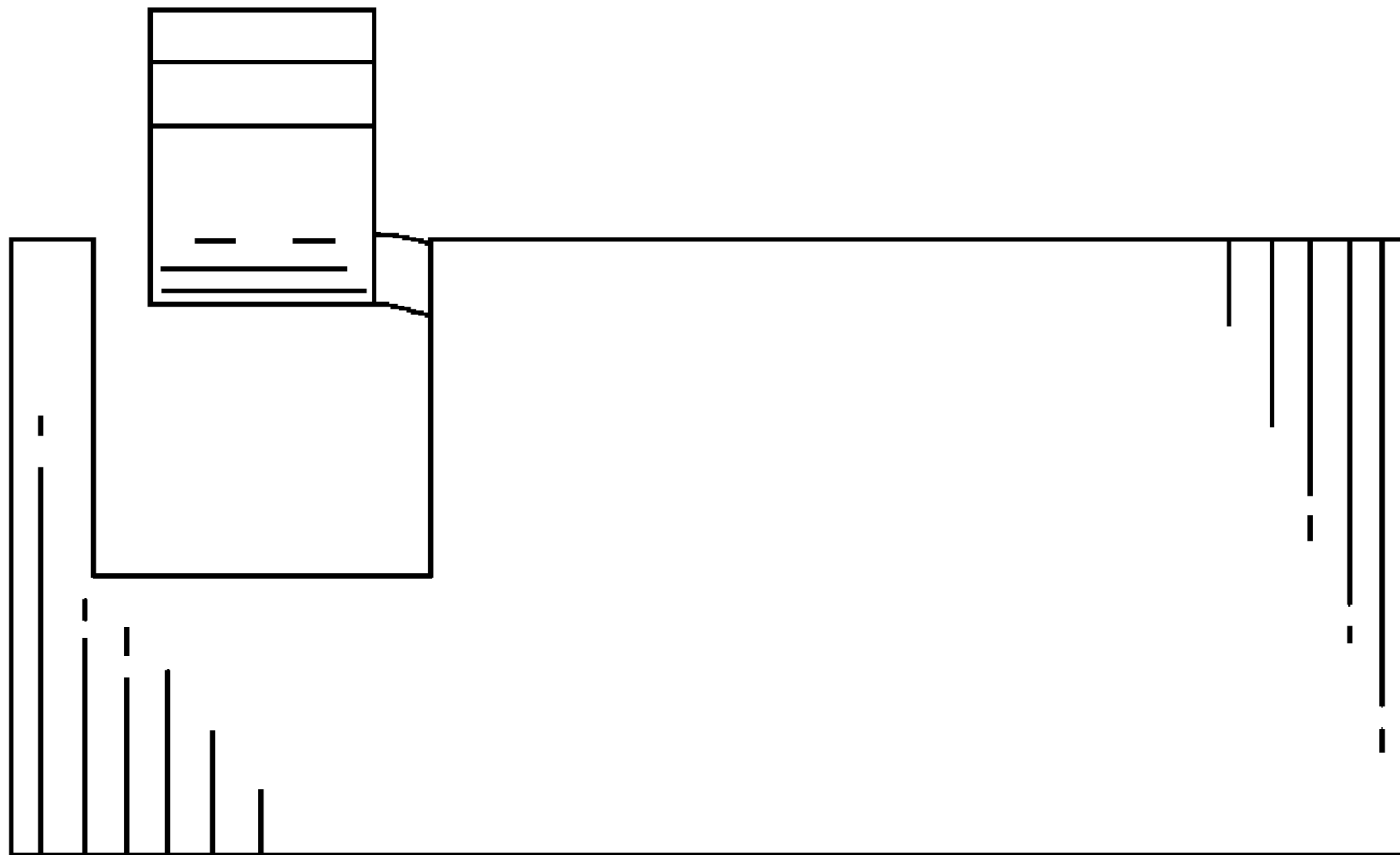


FIG. 5

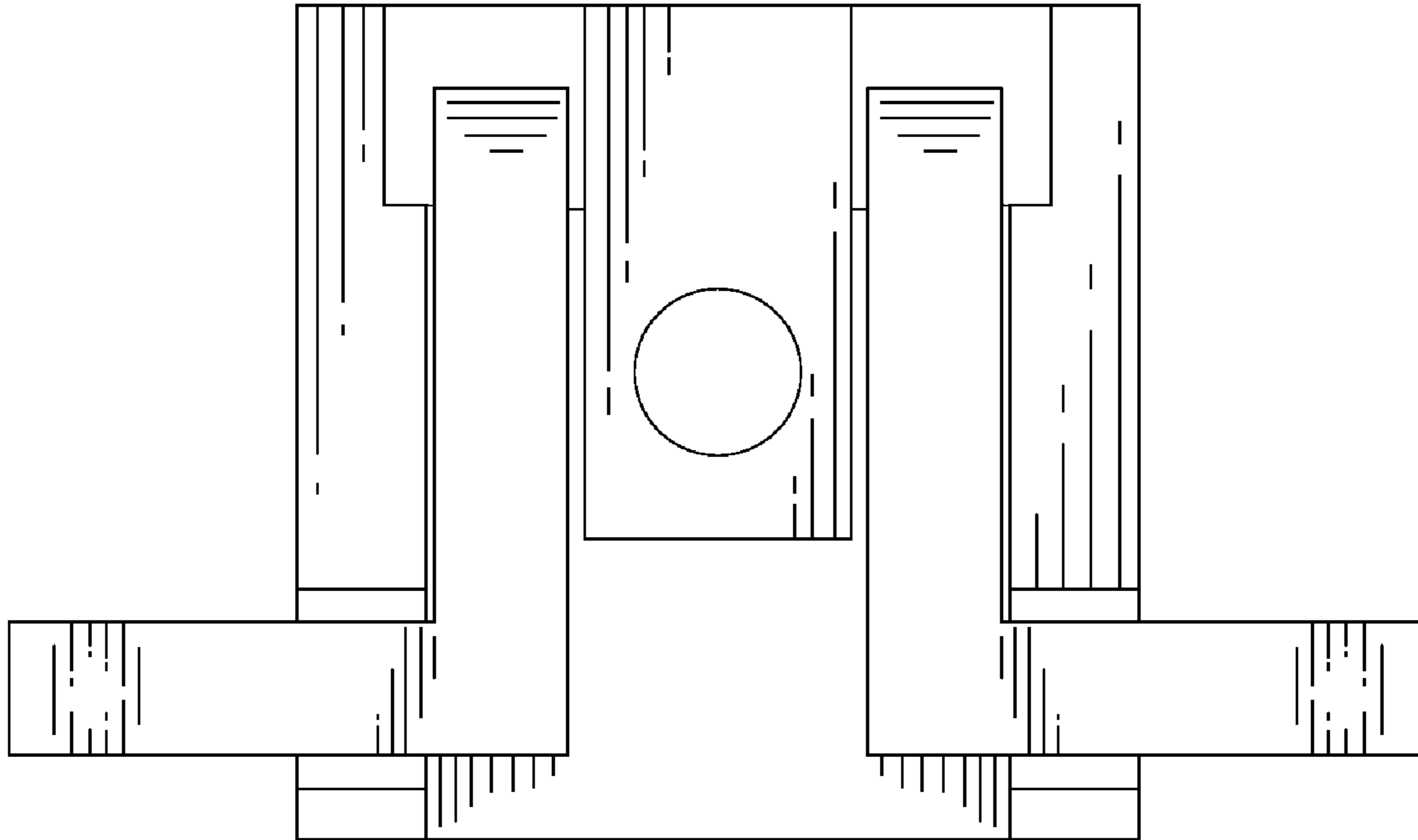


FIG. 6

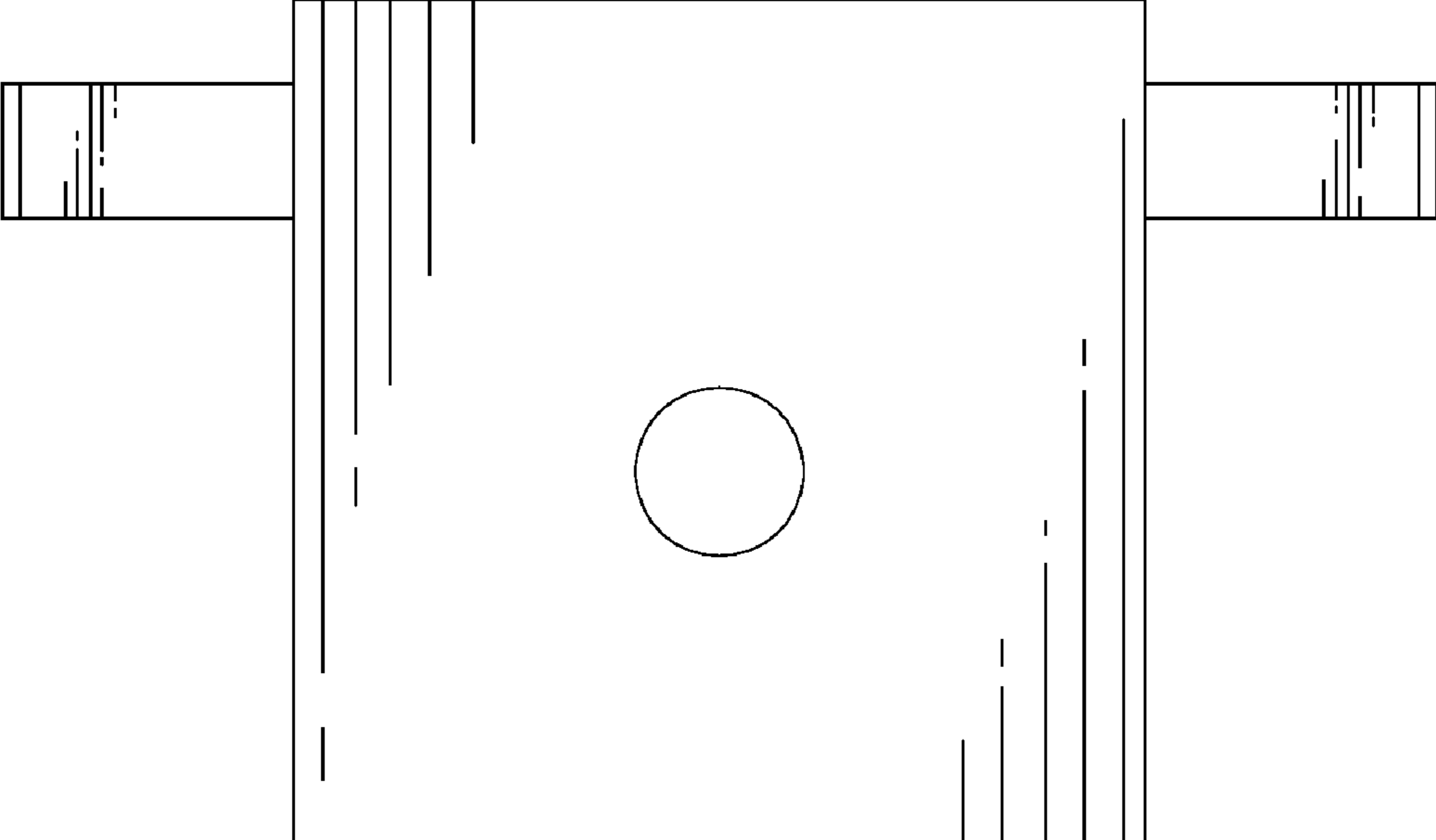


FIG. 7

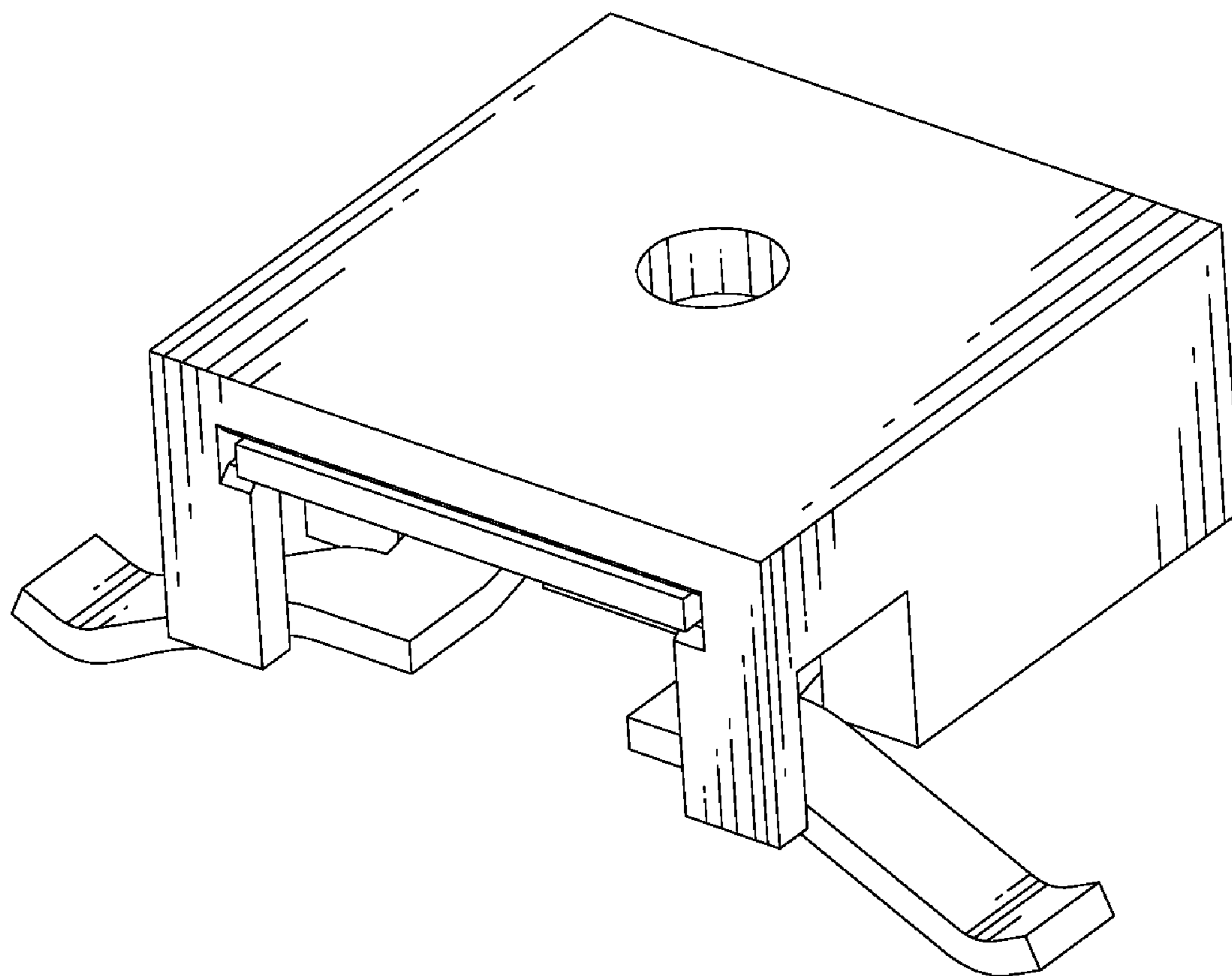


FIG. 8

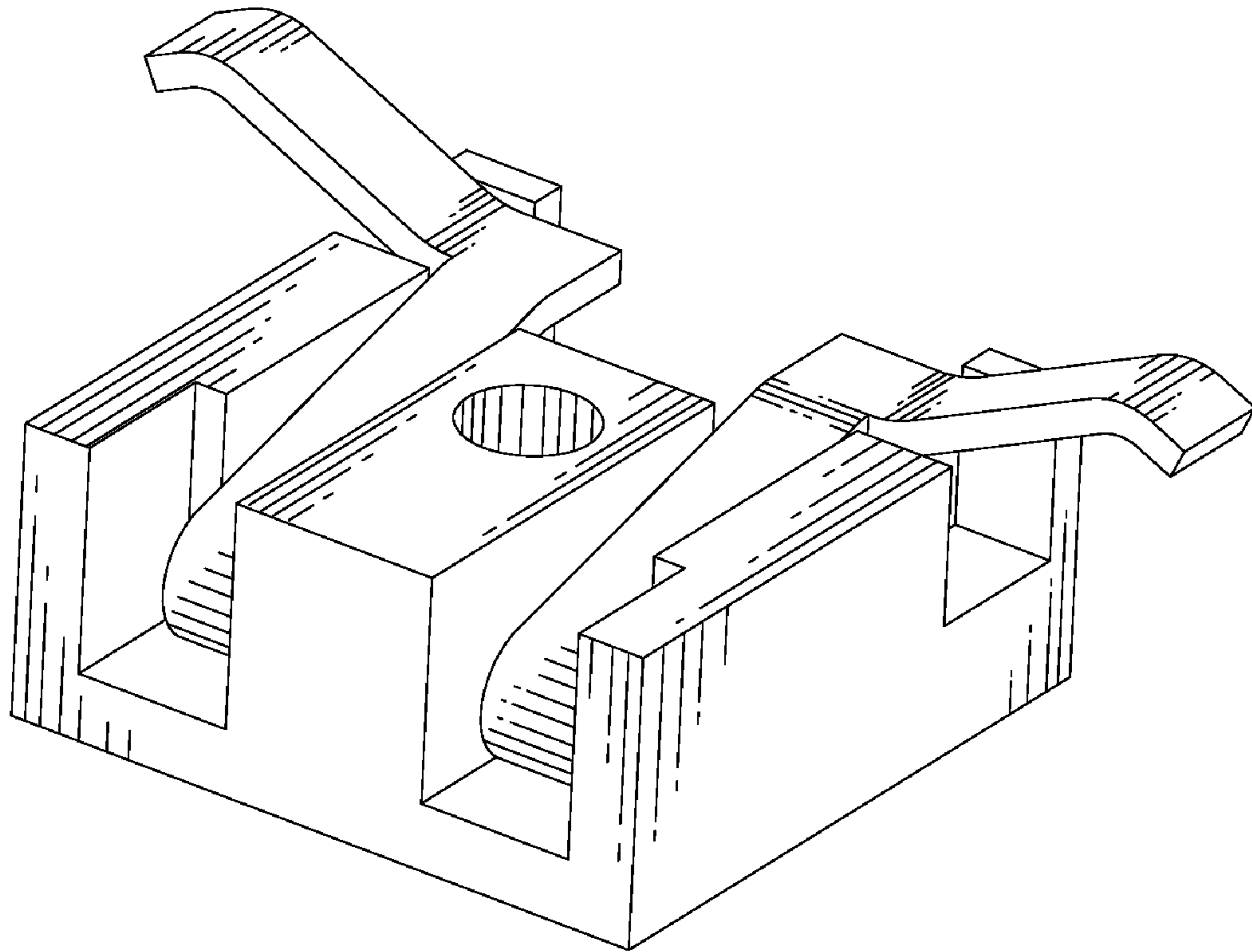


FIG. 9