



US00D643367S

(12) **United States Design Patent**  
**Castleberry**

(10) **Patent No.:** **US D643,367 S**

(45) **Date of Patent:** **\*\* Aug. 16, 2011**

(54) **WALL OUTLET ADAPTER**

(76) **Inventor:** **Dustin Troy Castleberry**, Polson, MT  
(US)

(\*\*) **Term:** **14 Years**

(21) **Appl. No.:** **29/386,117**

(22) **Filed:** **Feb. 24, 2011**

(51) **LOC (9) Cl.** ..... **13-02**

(52) **U.S. Cl.** ..... **D13/110**

(58) **Field of Classification Search** ..... D13/110,  
D13/101, 107, 108, 118, 133, 137.1-137.4,  
D13/138.1, 138.2, 139.1, 199; 174/54, 59,  
174/61, 66; 307/11, 17, 22, 150; 320/107,  
320/111, 112, 113, 114, 115; 362/640, 641,  
362/642; 363/142, 146; 439/105, 106, 131,  
439/146, 172, 626, 628, 638

See application file for complete search history.

(56) **References Cited**

**U.S. PATENT DOCUMENTS**

|           |     |         |                 |       |         |
|-----------|-----|---------|-----------------|-------|---------|
| 3,382,355 | A * | 5/1968  | Prifogle et al. | ..... | 362/641 |
| 4,293,172 | A * | 10/1981 | Lingaraju       | ..... | 439/105 |
| 5,007,857 | A * | 4/1991  | Wright          | ..... | 439/490 |
| D339,103  | S * | 9/1993  | Dickey          | ..... | D13/110 |
| D367,257  | S * | 2/1996  | Buelow et al.   | ..... | D13/110 |

|           |      |         |                  |       |           |
|-----------|------|---------|------------------|-------|-----------|
| D374,655  | S *  | 10/1996 | Carl et al.      | ..... | D13/110   |
| 5,684,689 | A *  | 11/1997 | Hahn             | ..... | 363/146   |
| D400,174  | S *  | 10/1998 | Shatkin          | ..... | D13/138.1 |
| D416,226  | S *  | 11/1999 | Lohrding et al.  | ..... | D13/110   |
| D430,107  | S *  | 8/2000  | Taylor           | ..... | D13/110   |
| D450,036  | S *  | 11/2001 | Okamoto          | ..... | D13/137.2 |
| D452,842  | S *  | 1/2002  | Kajiwara et al.  | ..... | D13/110   |
| D454,538  | S *  | 3/2002  | Glickman         | ..... | D13/110   |
| D462,056  | S *  | 8/2002  | Chung            | ..... | D13/137.1 |
| D474,739  | S *  | 5/2003  | Chang            | ..... | D13/110   |
| 6,764,321 | B2 * | 7/2004  | Machado          | ..... | 439/105   |
| 7,220,136 | B1 * | 5/2007  | Green            | ..... | 439/106   |
| D573,946  | S *  | 7/2008  | Ledbetter et al. | ..... | D13/110   |

\* cited by examiner

*Primary Examiner* — Stella Reid

*Assistant Examiner* — Derrick Holland

(57) **CLAIM**

The ornamental design for a wall outlet adapter, as shown and described.

**DESCRIPTION**

FIG. 1 is a right side view of a wall outlet adapter showing my new design;

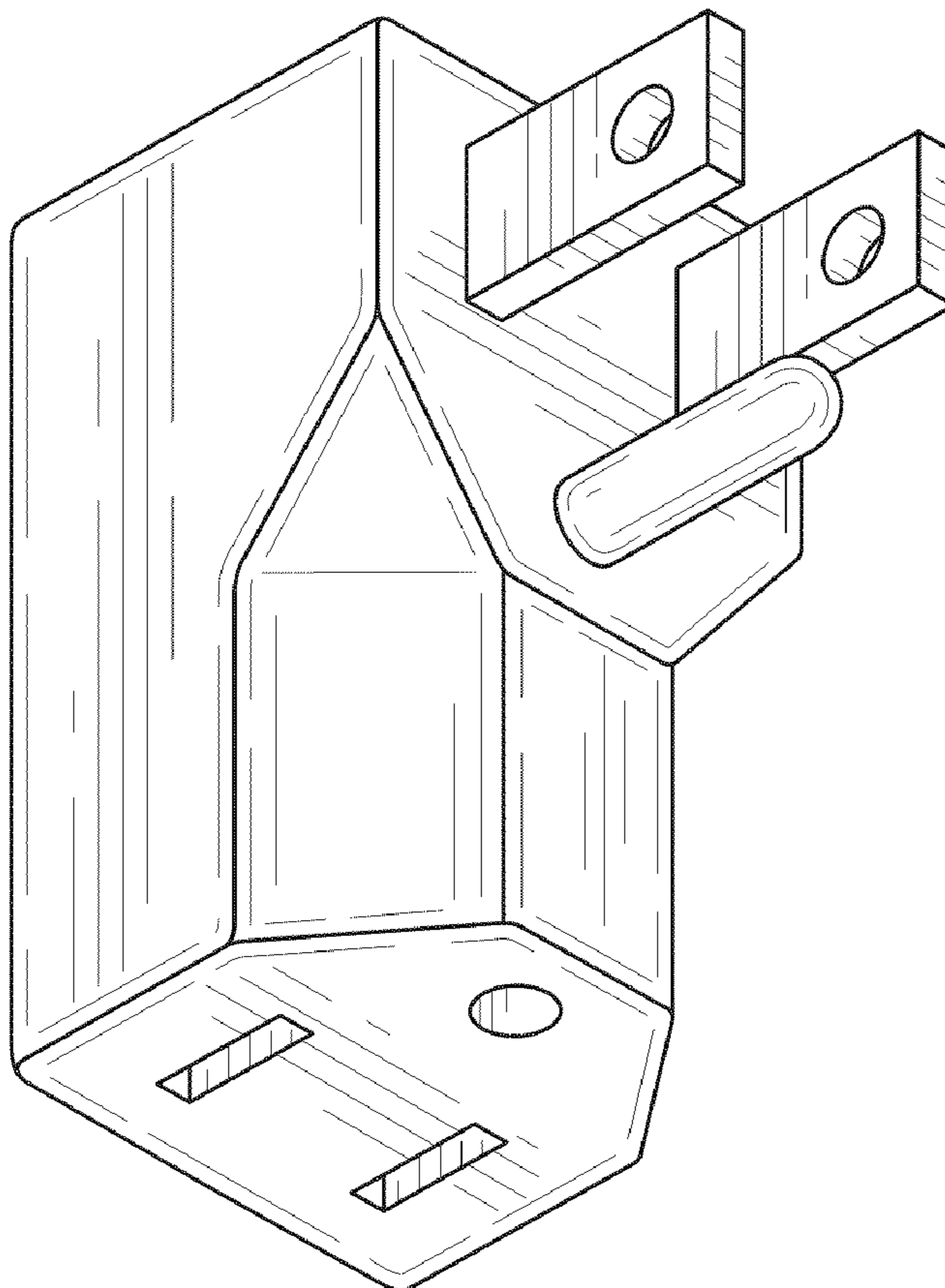
FIG. 2 is a left side view thereof;

FIG. 3 is a top view thereof;

FIG. 4 is a bottom view thereof; and,

FIG. 5 is a perspective view thereof.

**1 Claim, 2 Drawing Sheets**



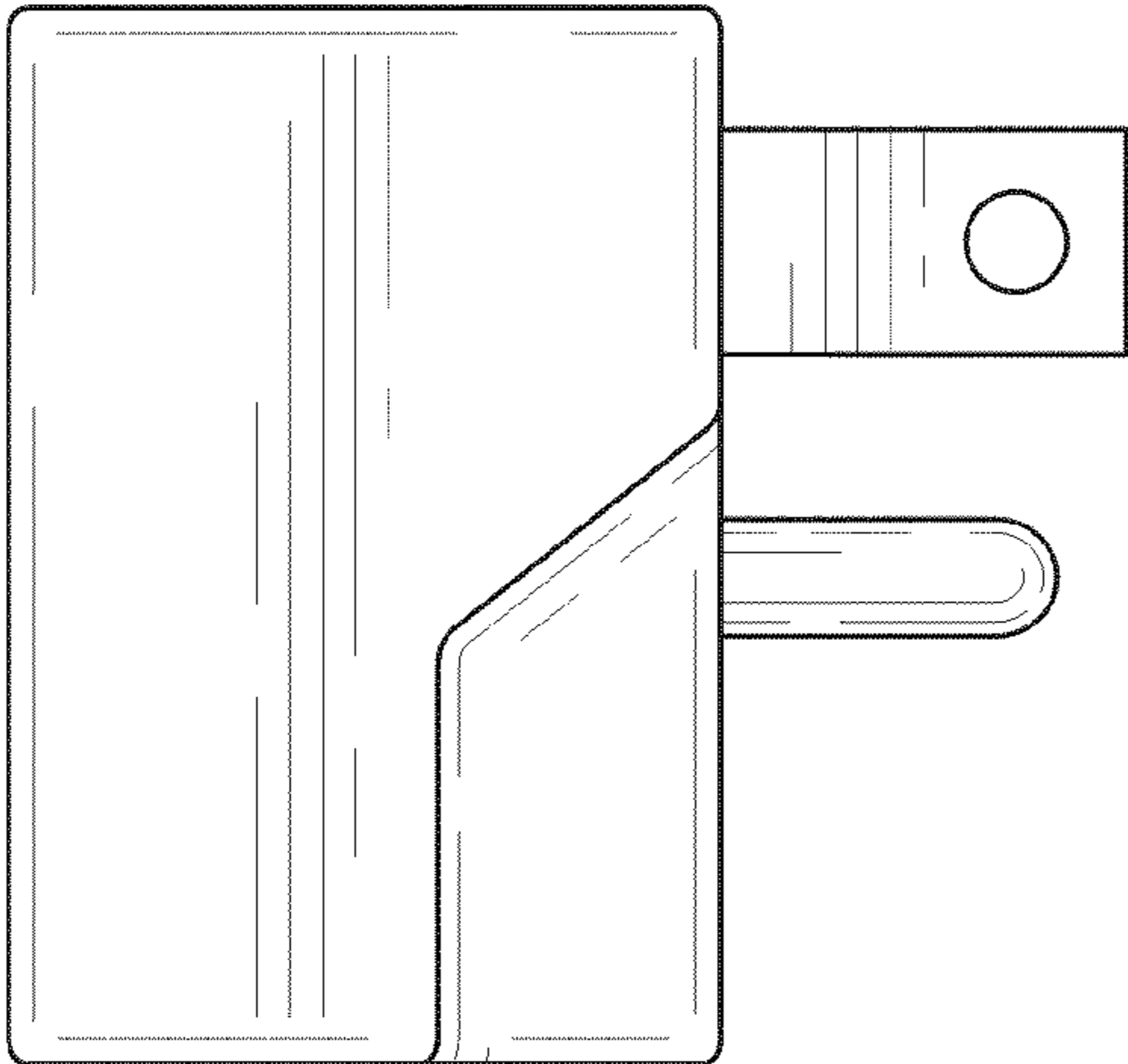


FIG. 1

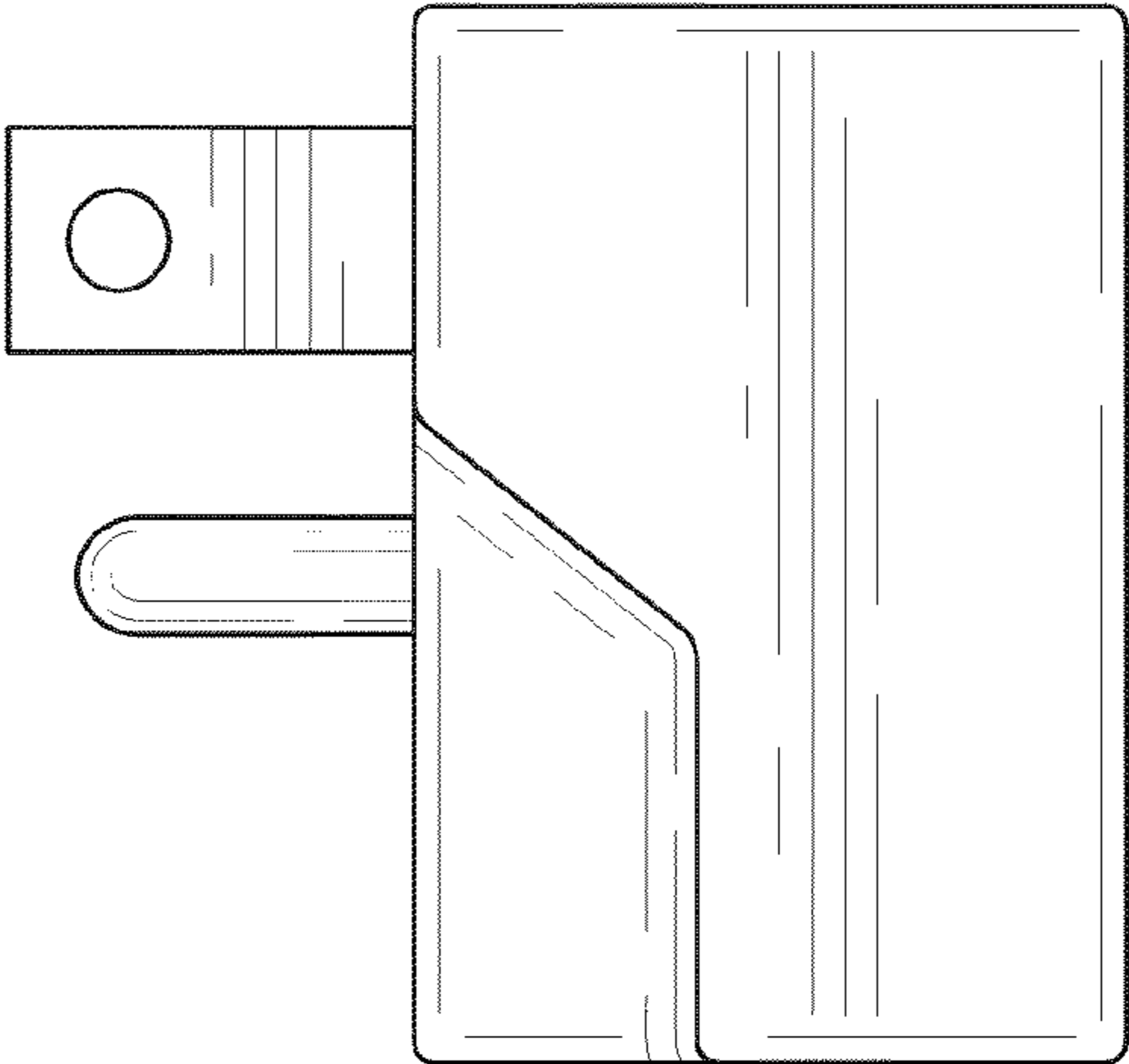


FIG. 2

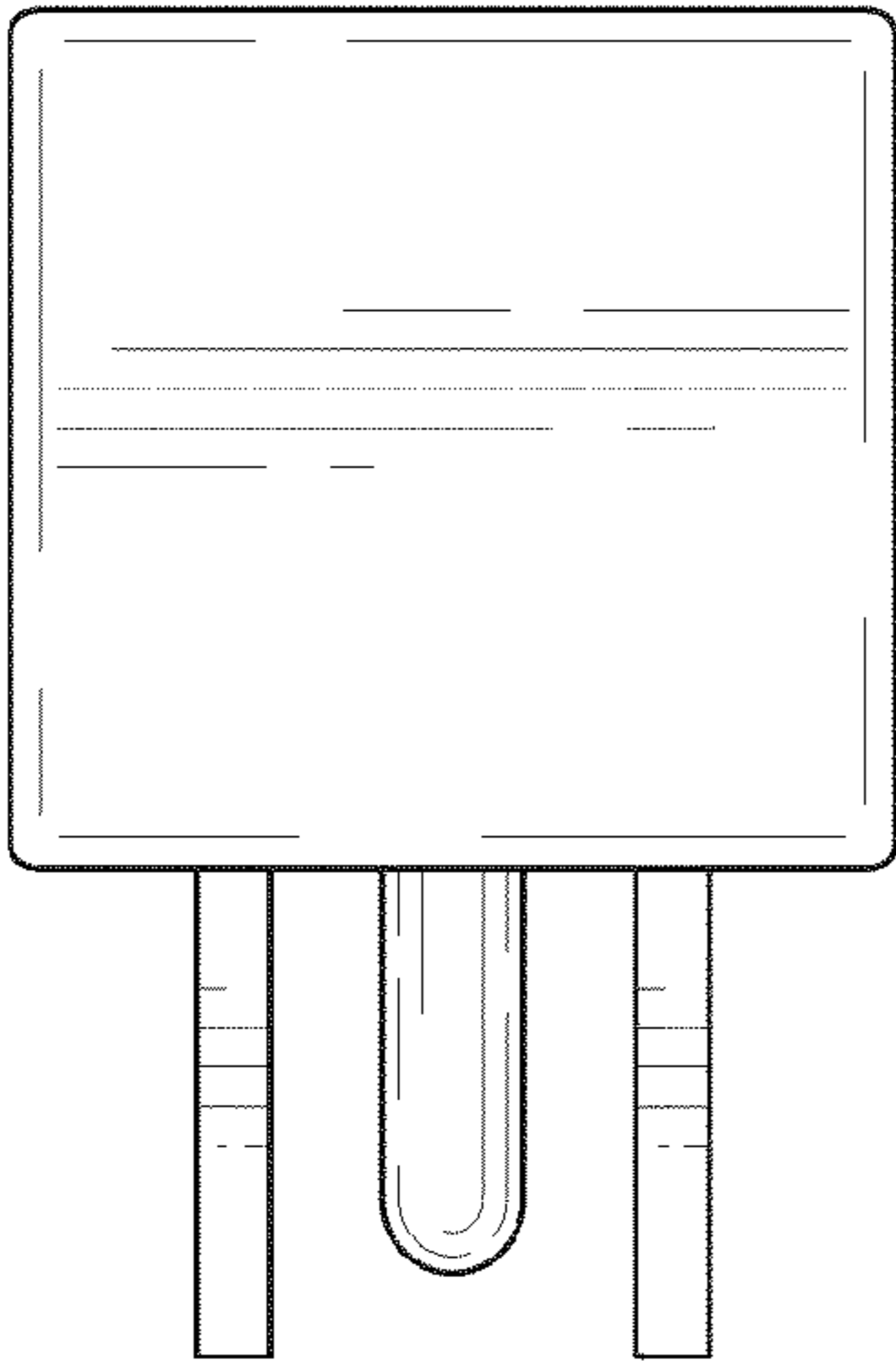
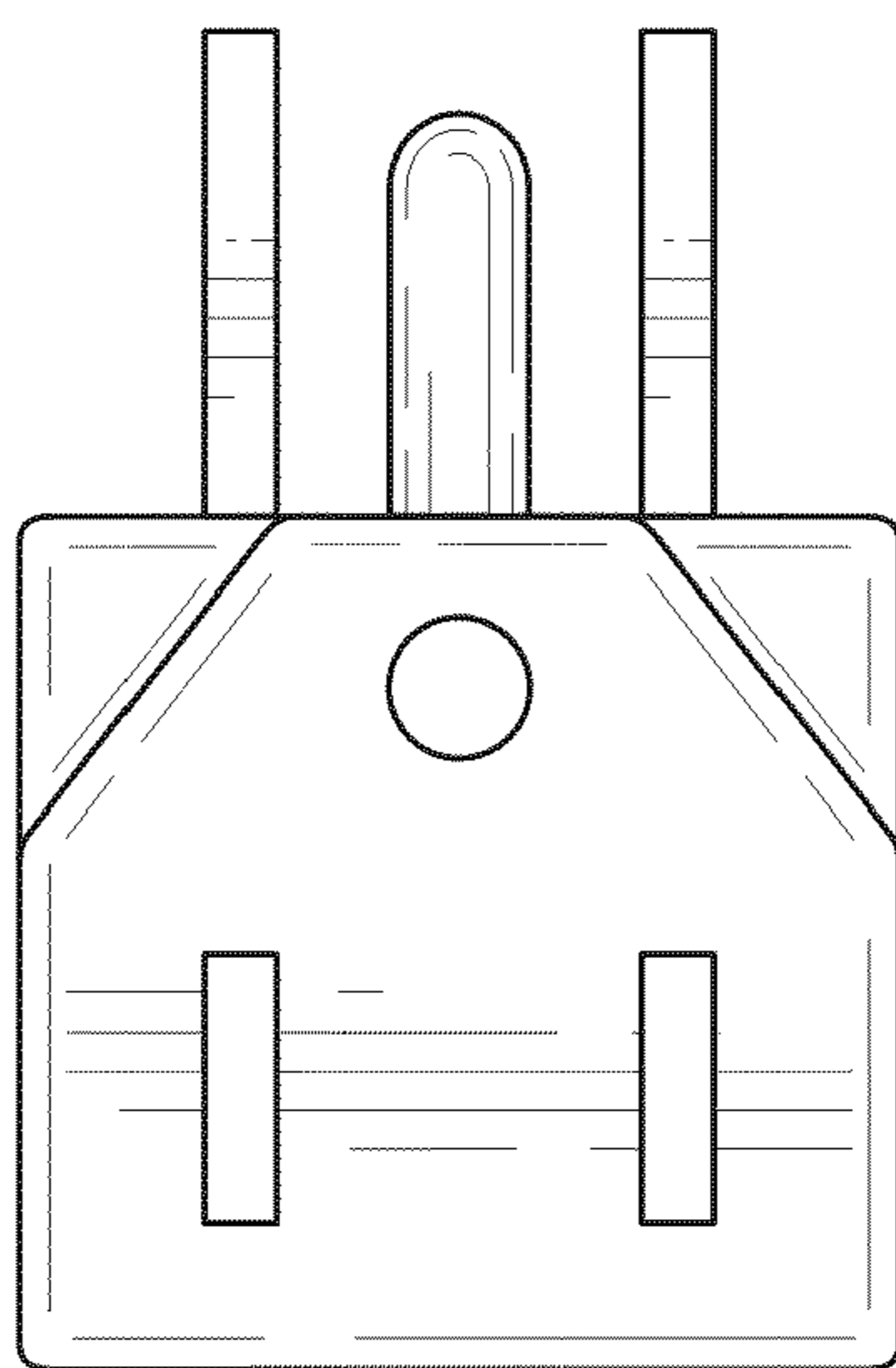
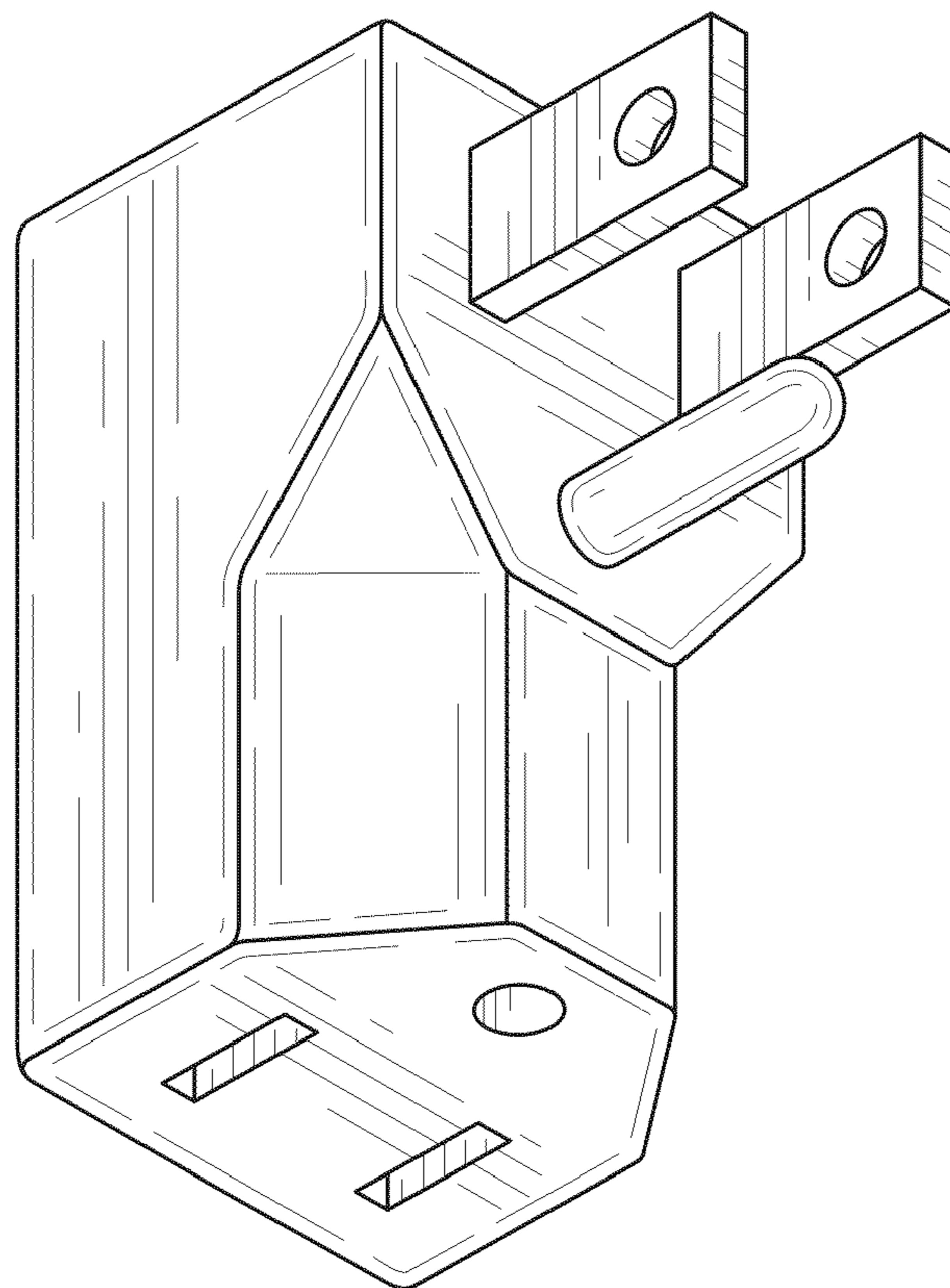


FIG. 3



**FIG. 4**



**FIG. 5**