



US00D643365S

(12) **United States Design Patent**
Shaper

(10) **Patent No.:** **US D643,365 S**

(45) **Date of Patent:** **** Aug. 16, 2011**

(54) **RECHARGEABLE BATTERY**

(75) Inventor: **Richard Shaper**, Hauppauge, NY (US)

(73) Assignee: **Rilin Group, Inc.**, Hauppauge, NY (US)

(**) Term: **14 Years**

(21) Appl. No.: **29/385,890**

(22) Filed: **Feb. 22, 2011**

(51) **LOC (9) Cl.** **13-02**

(52) **U.S. Cl.** **D13/103**

(58) **Field of Classification Search** D13/102–106,
D13/110, 118–119, 184, 199; 429/96–100,
429/163, 176

See application file for complete search history.

(56) **References Cited**

U.S. PATENT DOCUMENTS

D265,985	S	*	8/1982	House, II	D13/103
5,633,096	A	*	5/1997	Hattori	429/7
D440,200	S	*	4/2001	Tsuboi	D13/103
6,447,949	B2	*	9/2002	Iwata et al.	429/185
D465,198	S	*	11/2002	Vieno et al.	D13/110
D478,608	S	*	8/2003	Briks et al.	D16/237
D538,226	S	*	3/2007	Lyman et al.	D13/119
D548,693	S	*	8/2007	Krieger et al.	D13/110

D549,172	S	*	8/2007	Suzuki	D13/110
D583,756	S	*	12/2008	Walsh et al.	D13/103
D614,125	S	*	4/2010	Tinius	D13/103
D637,552	S	*	5/2011	Inman et al.	D13/103

* cited by examiner

Primary Examiner — Rosemary K Tarcza

(74) *Attorney, Agent, or Firm* — Siegmur Silber, Esq.

(57) **CLAIM**

The ornamental design for a rechargeable battery, as shown and described.

DESCRIPTION

FIG. 1. is a perspective view of a rechargeable battery of the present design;

FIG. 2 is a front elevational view of FIG. 1;

FIG. 3 is a rear elevational view of FIG. 1;

FIG. 4 is a left side elevational view of FIG. 2,

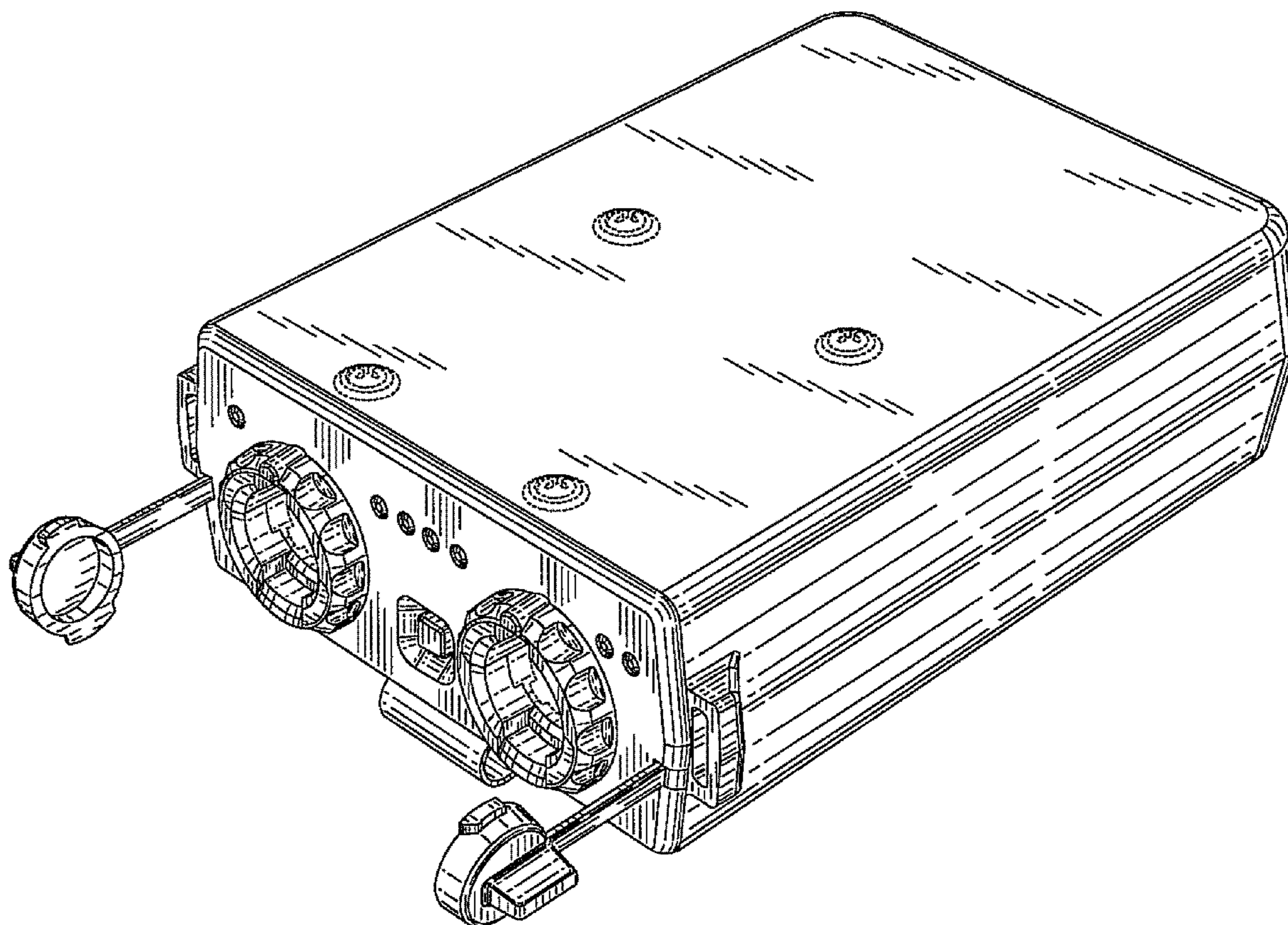
FIG. 5 is a right side elevational of FIG. 2;

FIG. 6 is a top plan view of FIG. 2; and,

FIG. 7 is a bottom plan view of FIG. 2.

The broken lines shown in the drawings are included for the purpose of illustrating unclaimed portions of the rechargeable battery and form no part of the claimed design.

1 Claim, 6 Drawing Sheets



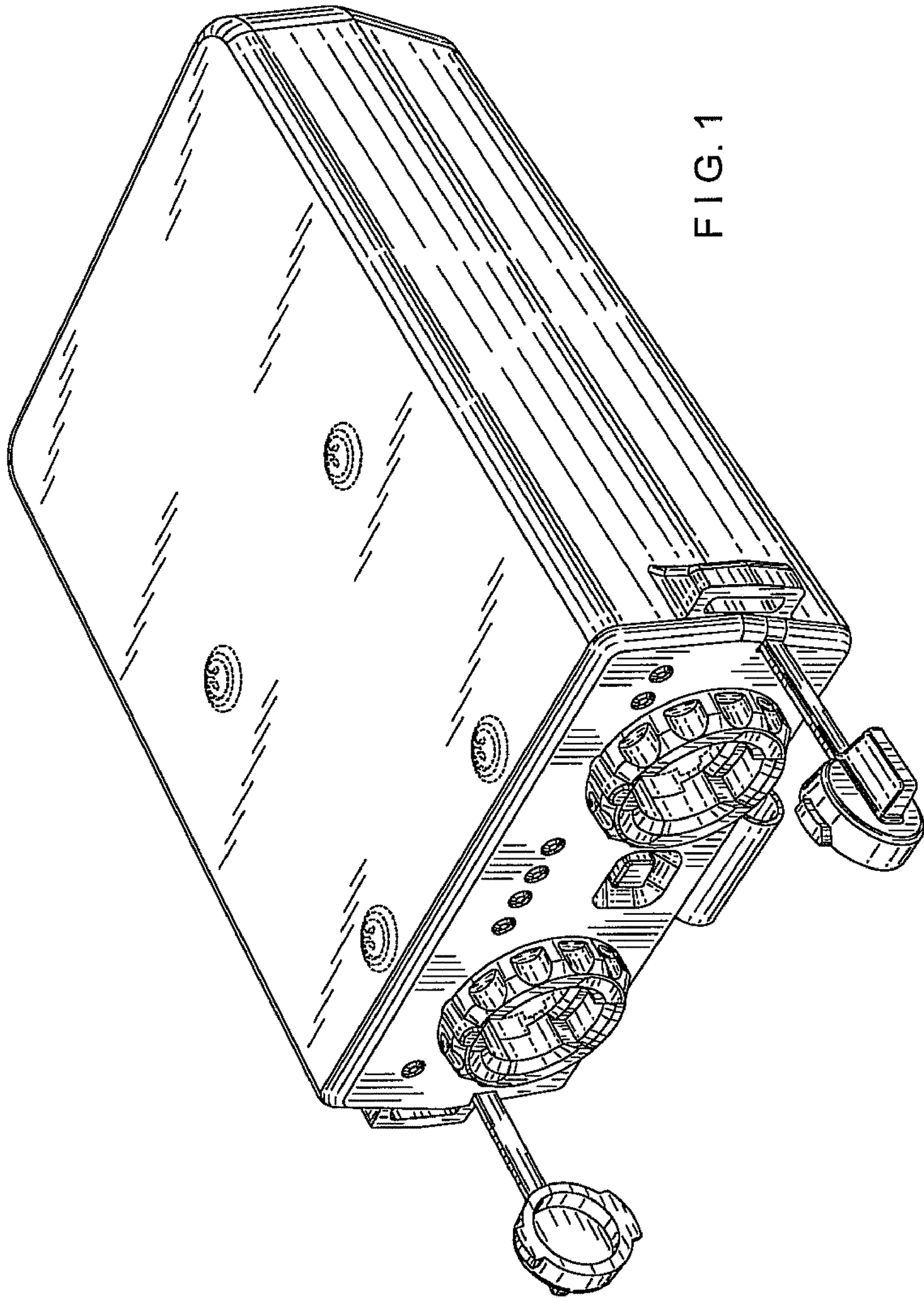


FIG. 1

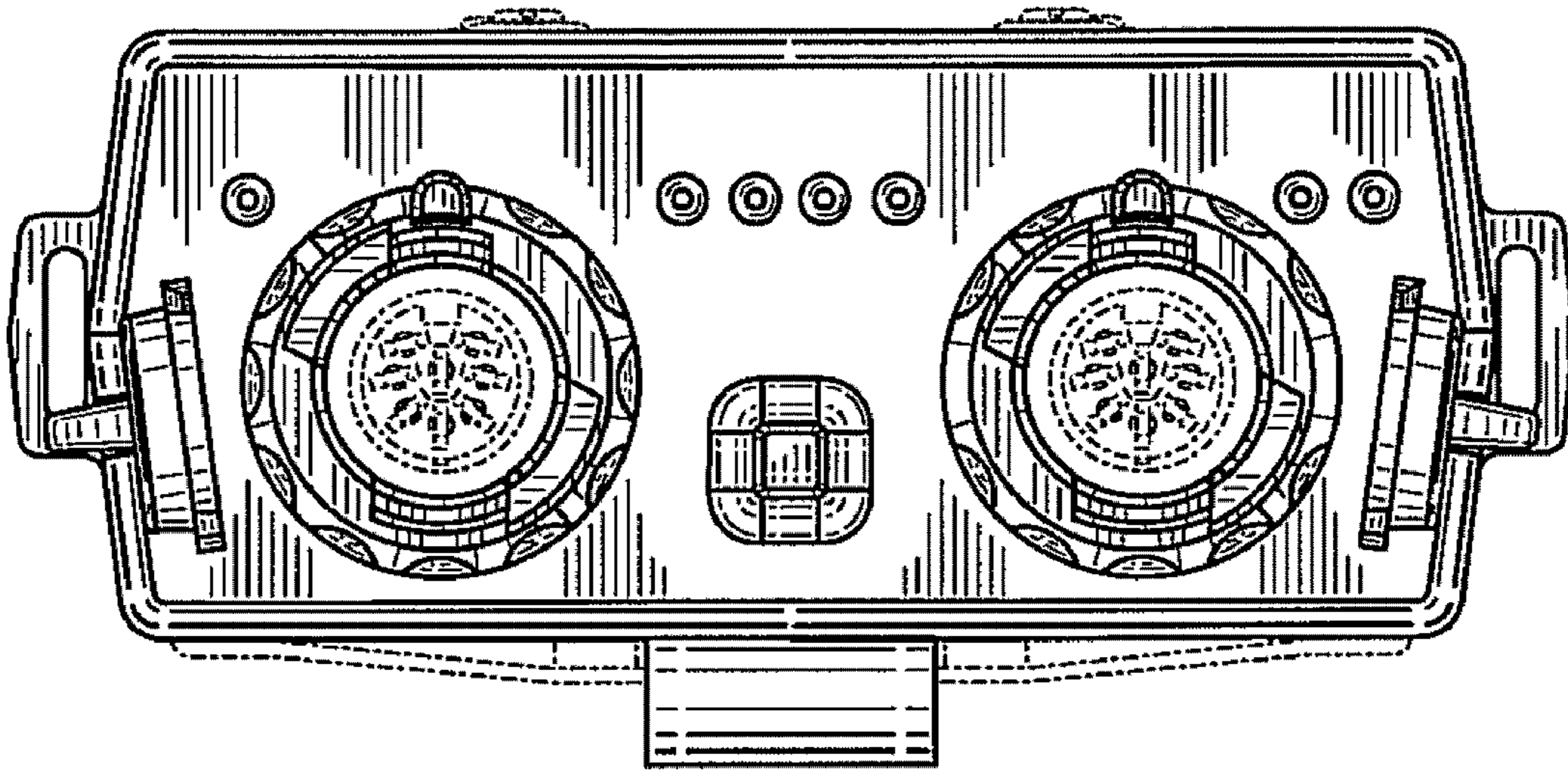


FIG. 2

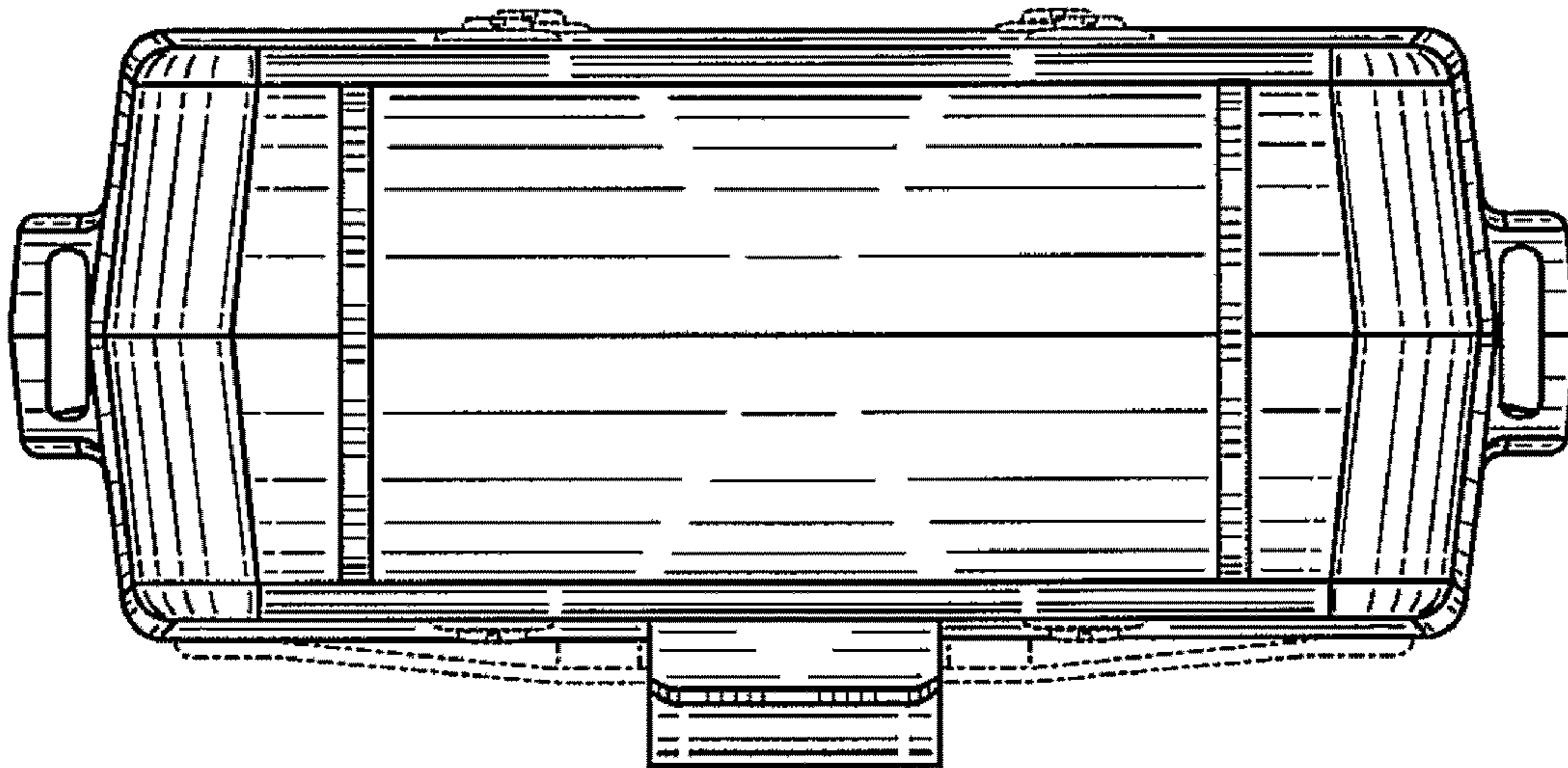


FIG. 3

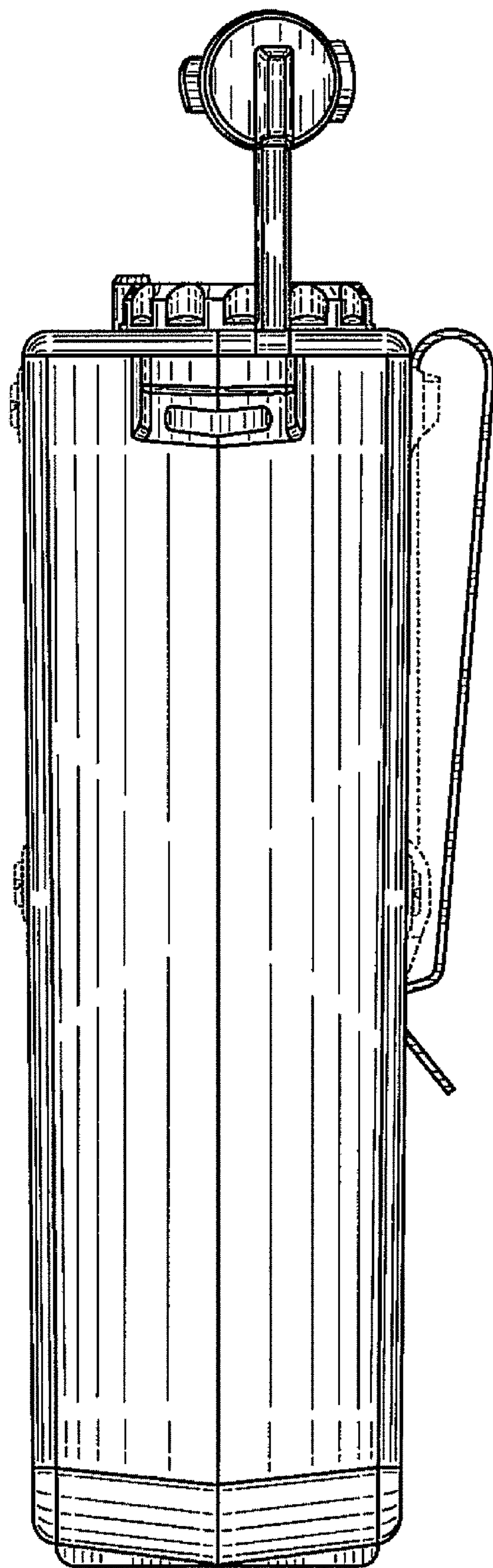


FIG. 4

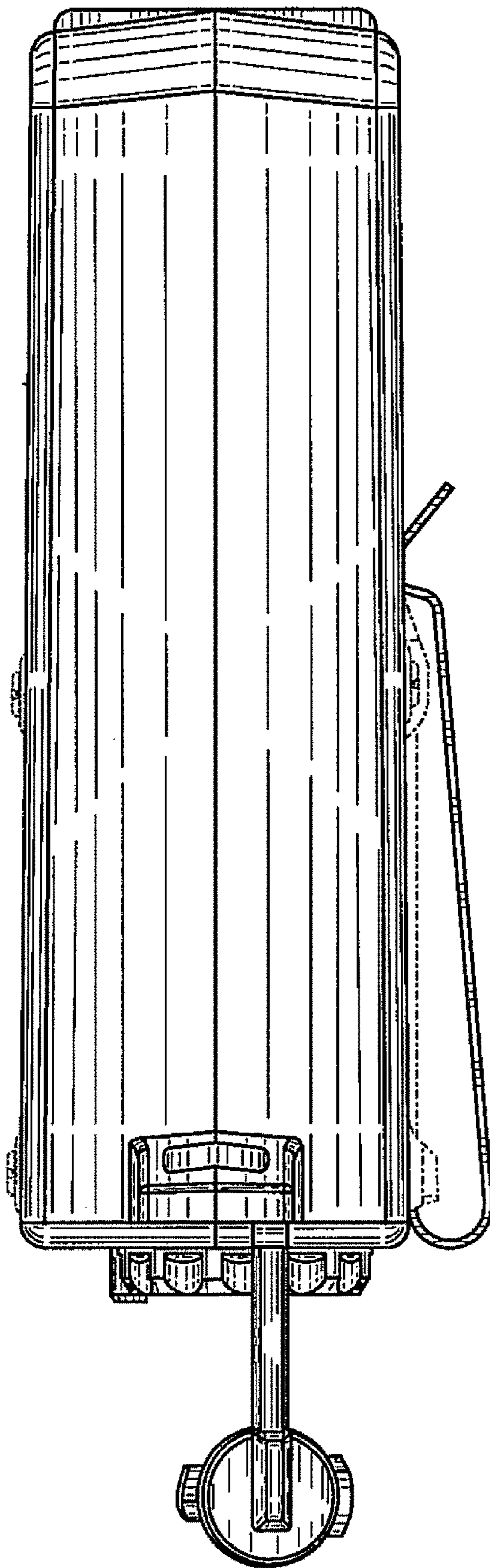


FIG. 5

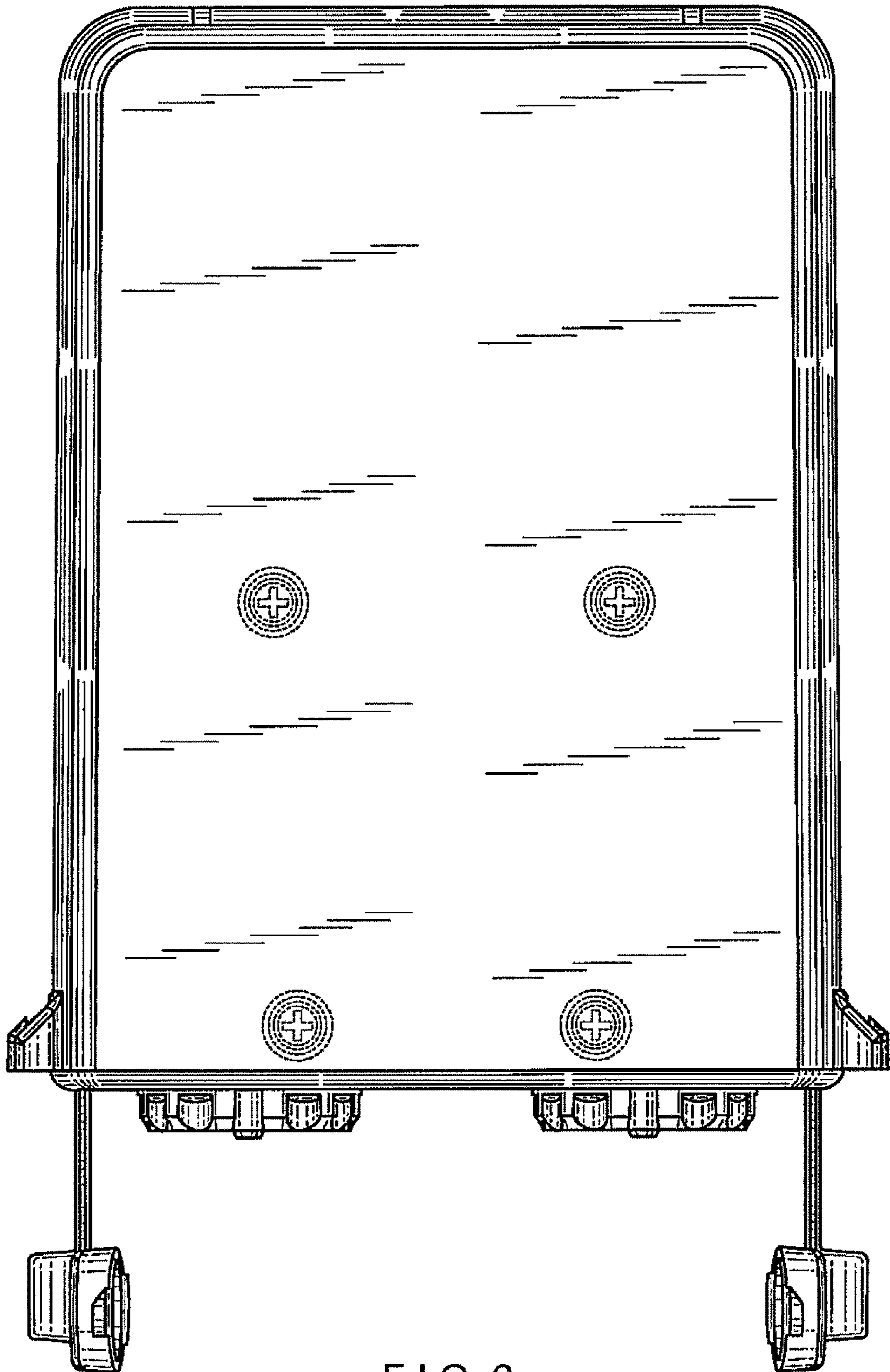


FIG. 6

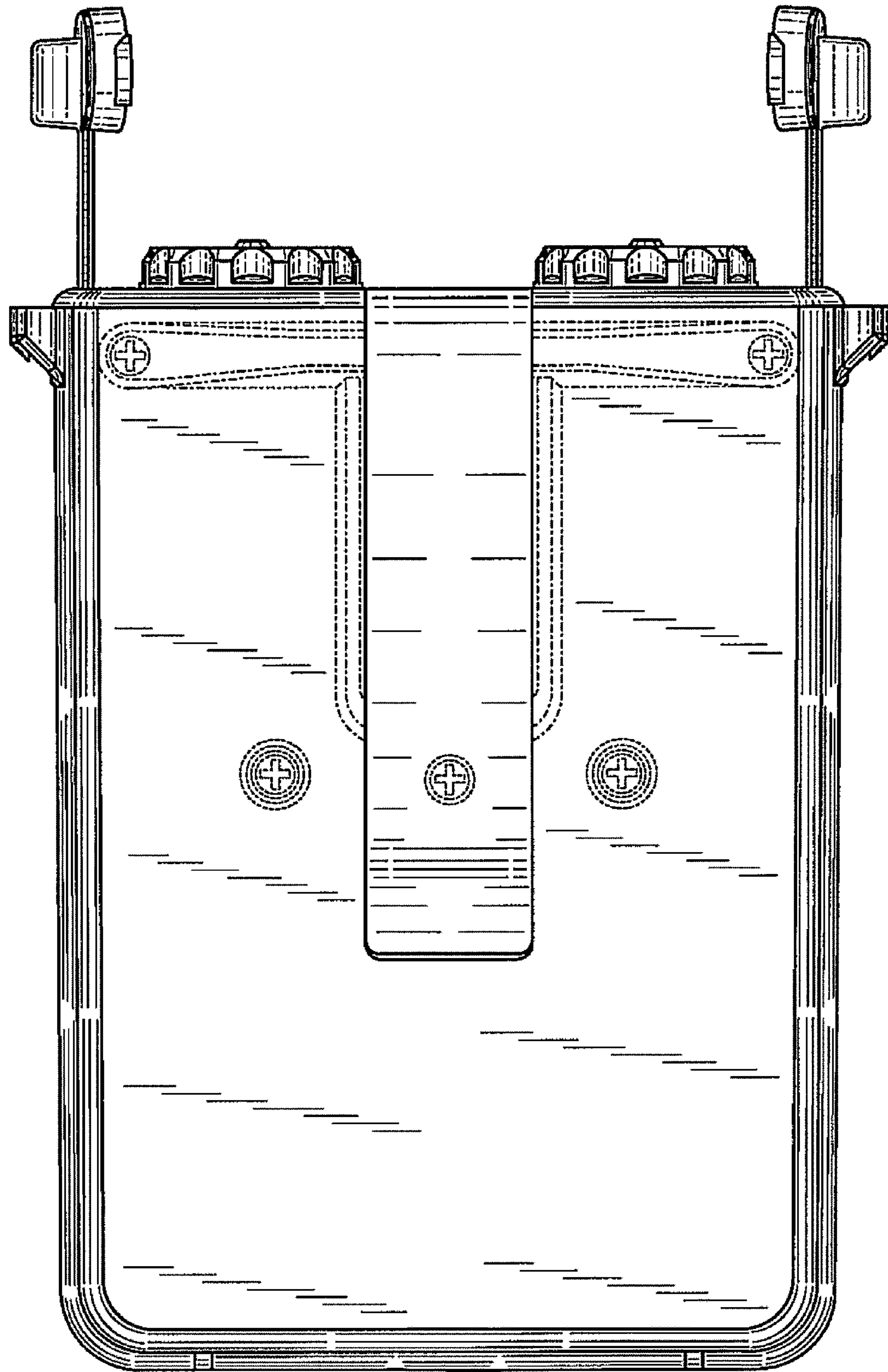


FIG. 7