



US00D643363S

(12) **United States Design Patent**
Wigmore

(10) **Patent No.:** **US D643,363 S**

(45) **Date of Patent:** **** Aug. 16, 2011**

(54) **SOLAR POWERED CELLULAR PHONE CHARGER**

(76) Inventor: **Shaun Wigmore**, Fort McMurray (CA)

(**) Term: **14 Years**

(21) Appl. No.: **29/369,911**

(22) Filed: **Sep. 15, 2010**

(51) **LOC (9) Cl.** **13-02**

(52) **U.S. Cl.** **D13/102**

(58) **Field of Classification Search** D13/102,
D13/101, 103, 107, 108, 110, 199; 126/569;
136/206, 243, 245, 251, 252; 320/101; 323/906
See application file for complete search history.

(56) **References Cited**

U.S. PATENT DOCUMENTS

4,786,851	A *	11/1988	Fuji et al.	320/101
D382,535	S	8/1997	Chiang		
5,701,067	A *	12/1997	Kaji et al.	320/101
D391,921	S *	3/1998	Zimmer et al.	D13/102
D395,279	S *	6/1998	Peress et al.	D13/107
6,043,626	A	3/2000	Snyder et al.		
6,084,379	A *	7/2000	Buniatyan	320/101
D465,451	S *	11/2002	Hirano et al.	D13/107
6,586,906	B1	7/2003	Bessa et al.		
6,650,085	B2 *	11/2003	Lau et al.	320/101
D483,725	S *	12/2003	Thompson et al.	D13/184
D489,680	S *	5/2004	Stobart	D13/107
D490,051	S *	5/2004	Kikumoto	D13/102
D503,679	S *	4/2005	Andre et al.	D13/110
6,977,479	B2	12/2005	Hsu		

D535,613	S *	1/2007	Varalo et al.	D13/108
D570,772	S *	6/2008	Mahaffey et al.	D13/110
2005/0116684	A1	6/2005	Kim		
2005/0225281	A1	10/2005	Redl		
2006/0058073	A1	3/2006	Kim		
2008/0125188	A1	5/2008	Huang		

OTHER PUBLICATIONS

WWW.NORTHERNTOOL.COM; Sunforce 13 Watt Folding Solar Panel; internet; as of Sep. 14, 2010.

* cited by examiner

Primary Examiner — Stella Reid

Assistant Examiner — Derrick Holland

(57) **CLAIM**

The ornamental design for a solar powered cellular phone charger, as shown and described.

DESCRIPTION

FIG. 1 is a perspective view of a solar powered cellular phone charger showing my new design;

FIG. 2 is a top view thereof;

FIG. 3 is a bottom view thereof;

FIG. 4 is a side view thereof;

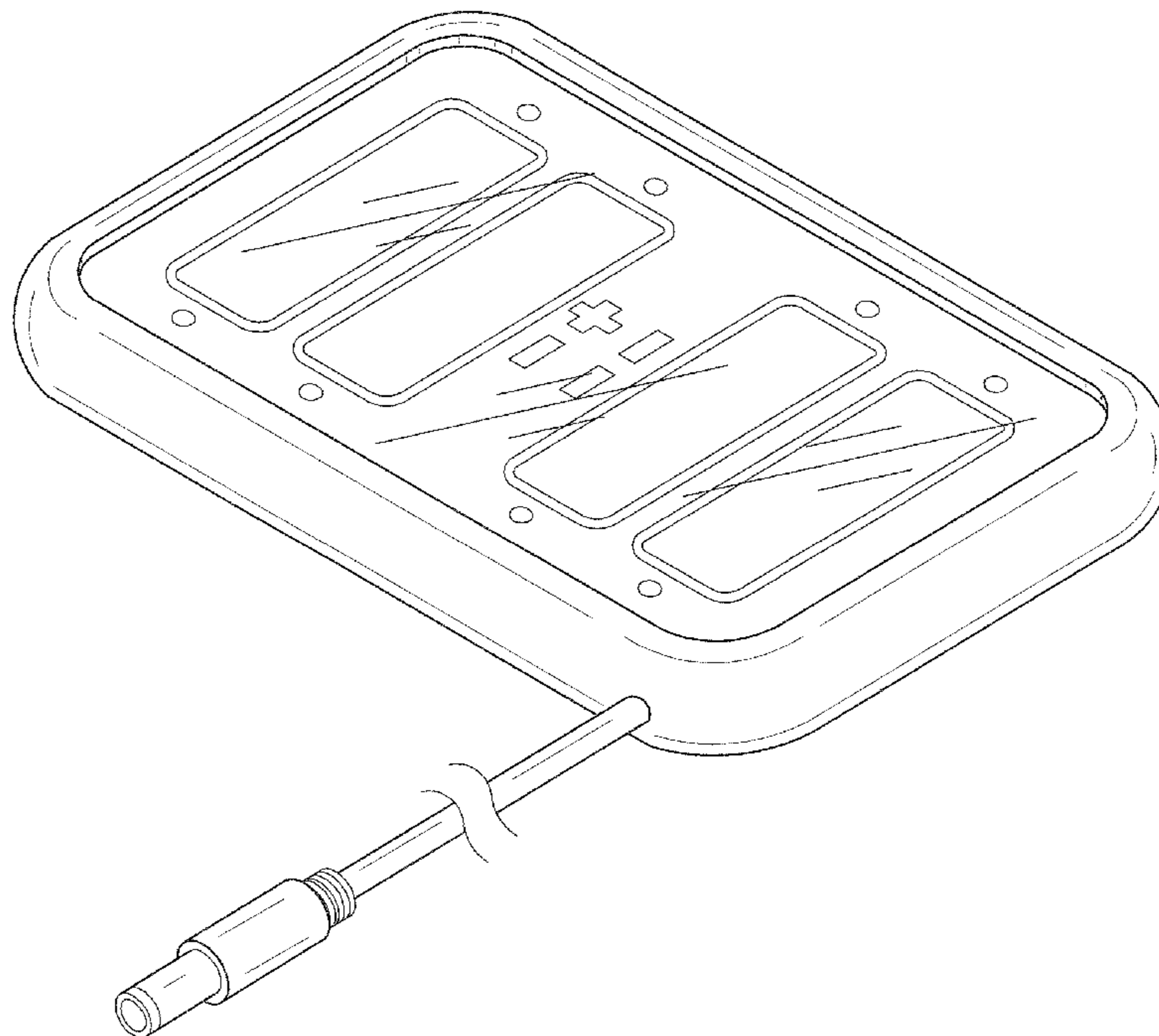
FIG. 5 is an opposite side view thereof;

FIG. 6 is a front view thereof; and,

FIG. 7 is a hack view thereof.

In FIG. 7, the broken lines showing of environmental structure for purposes of illustrating the solar powered cellular phone charger in a condition of use. The broken lines and the structure they depict form no part of the claimed design.

1 Claim, 4 Drawing Sheets



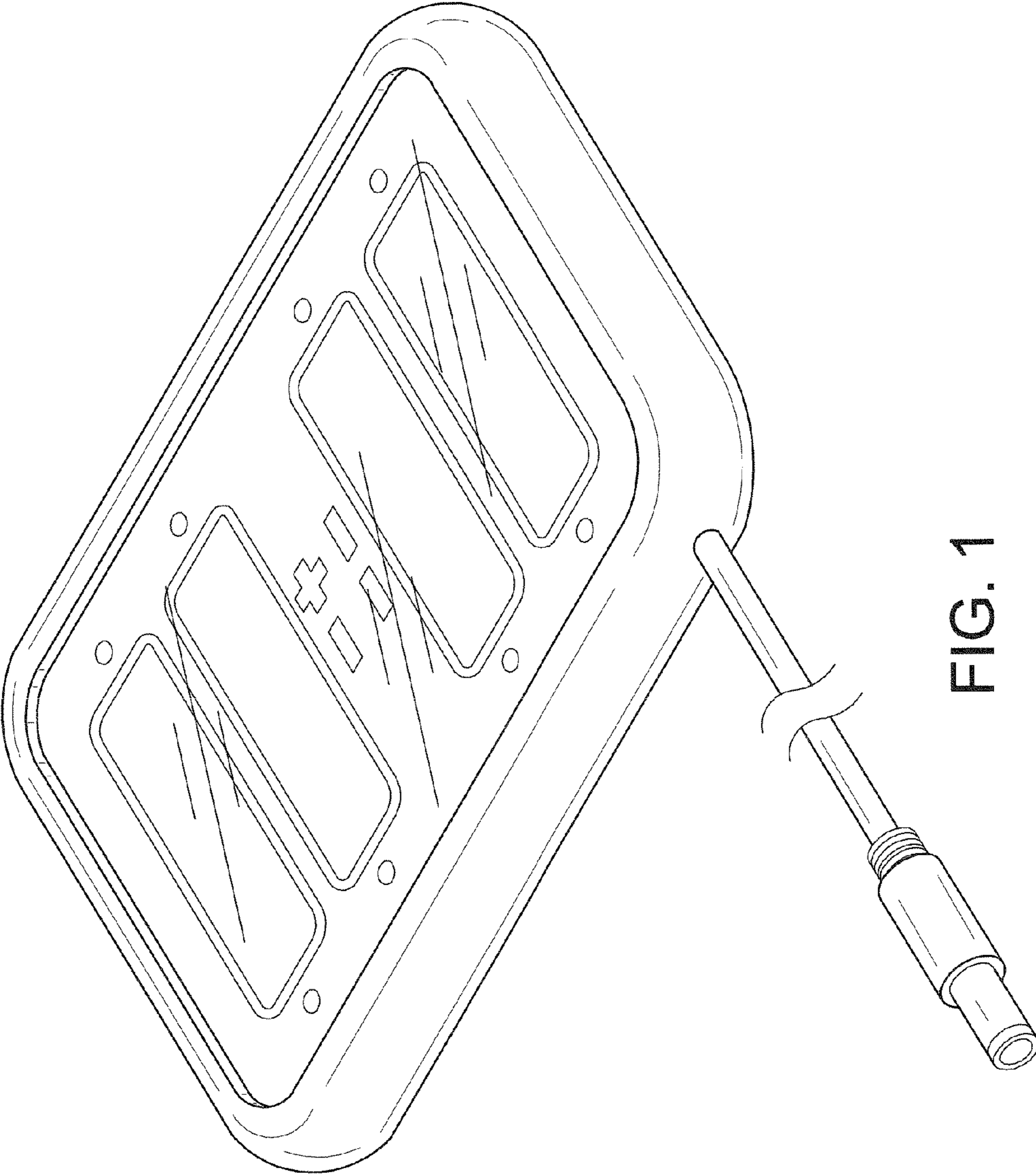


FIG. 1

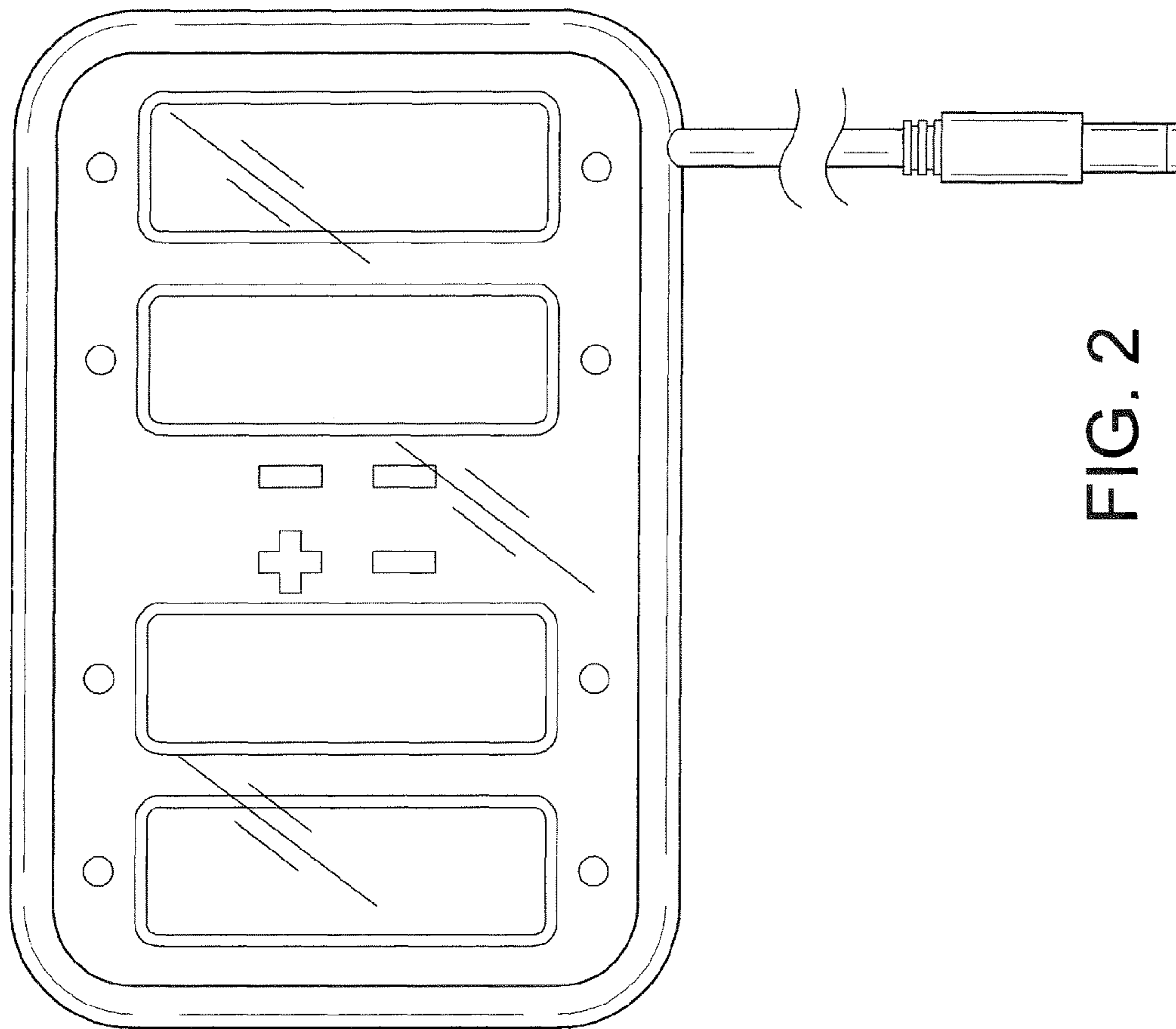


FIG. 2

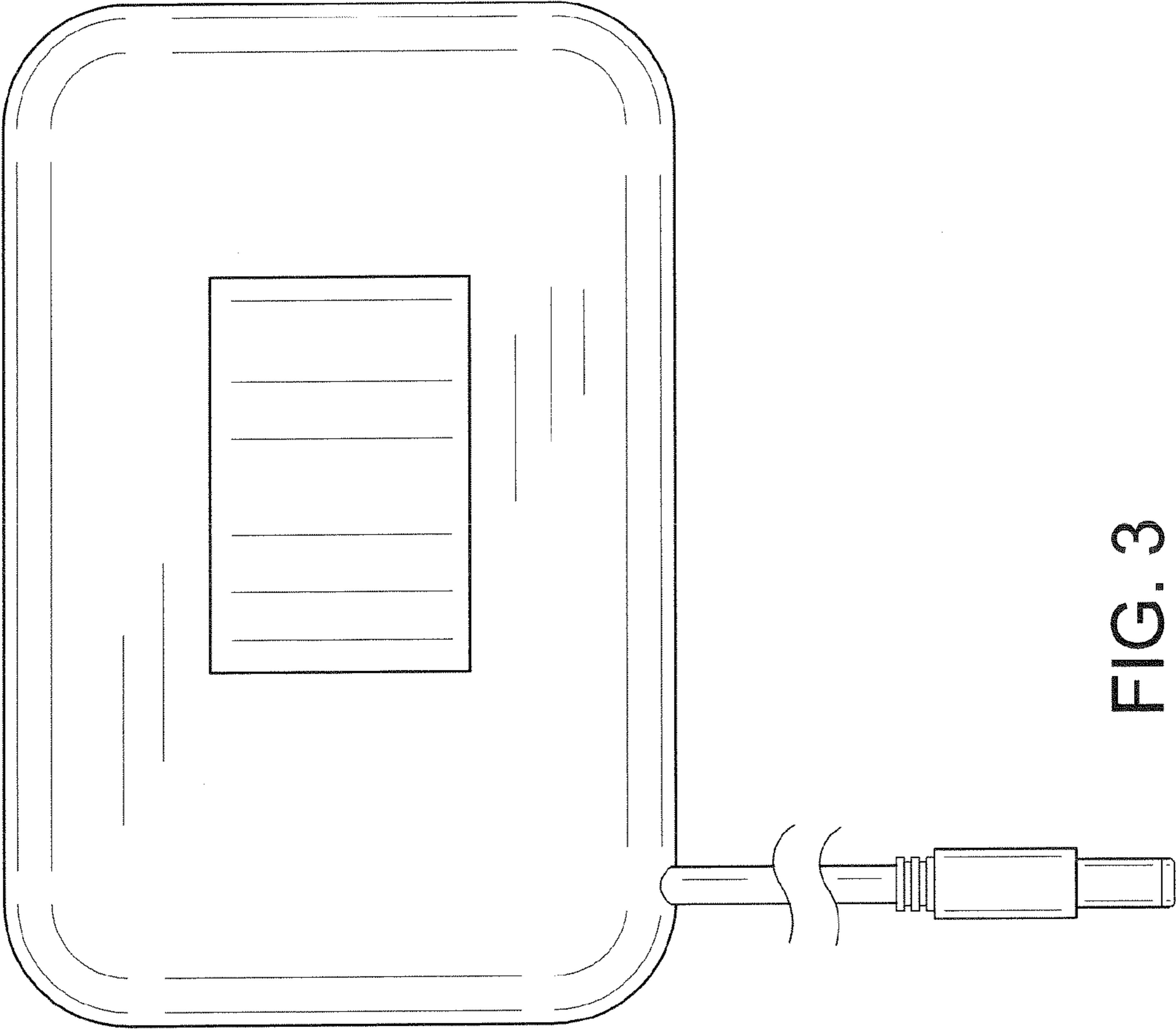


FIG. 3

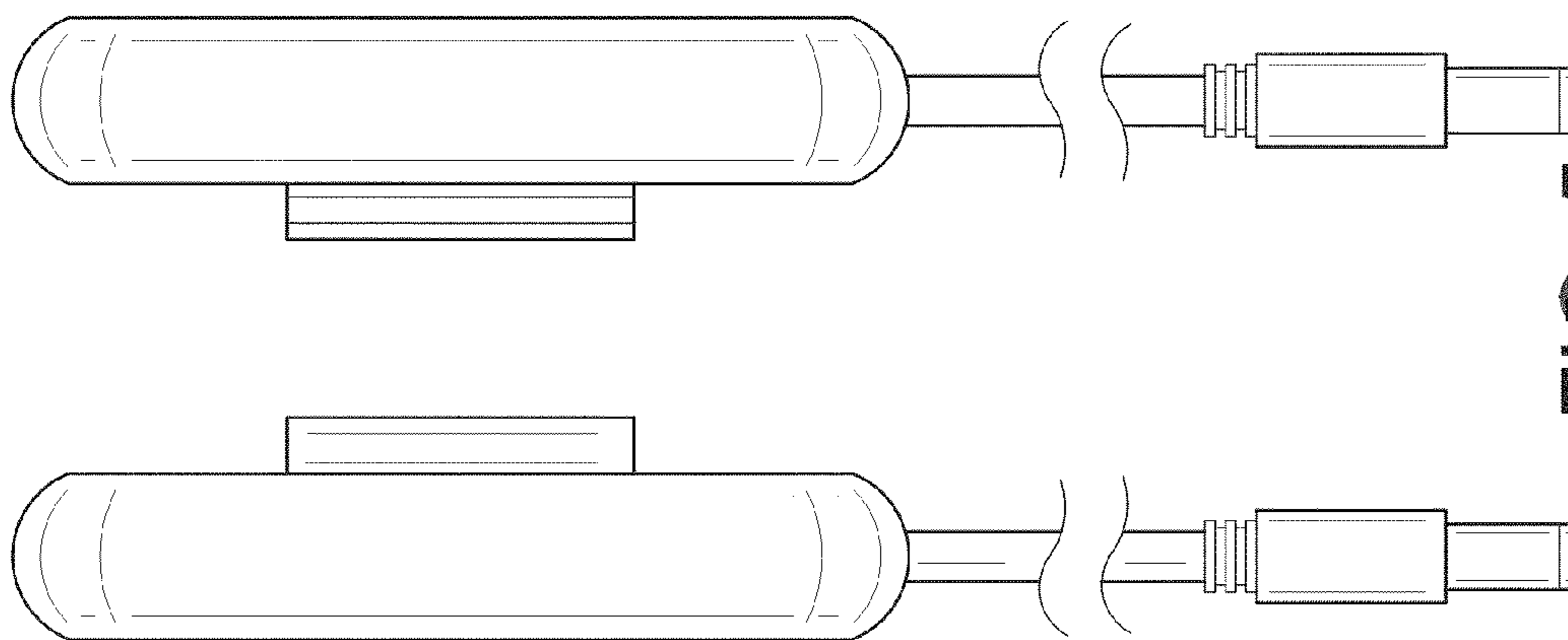


FIG. 4 FIG. 5

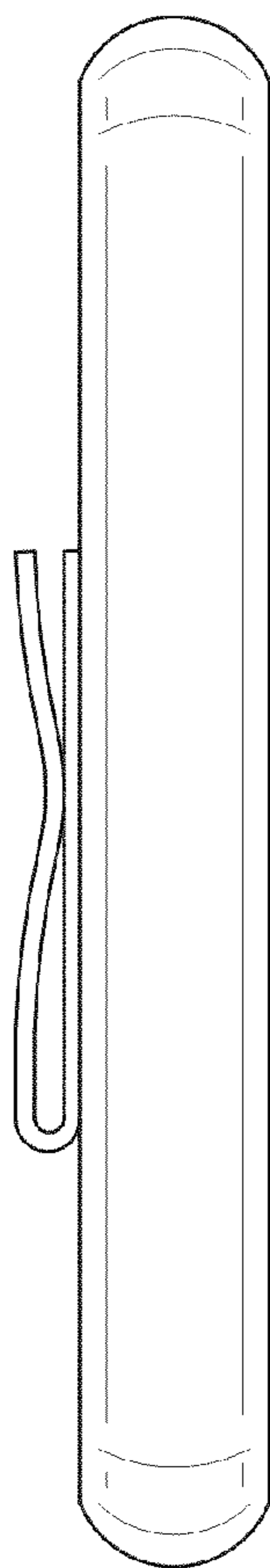


FIG. 6

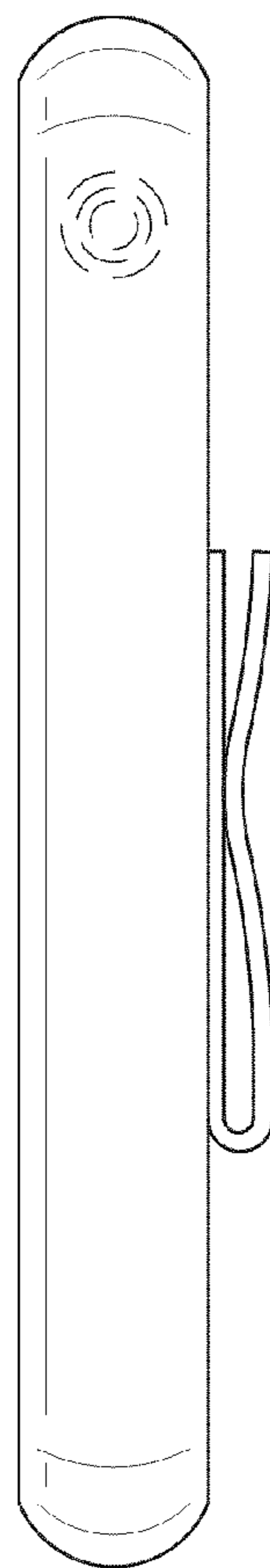


FIG. 7