



US00D643356S

(12) **United States Design Patent**
Gotschke

(10) **Patent No.:** **US D643,356 S**

(45) **Date of Patent:** **** Aug. 16, 2011**

(54) **VEHICLE WHEEL**

(75) Inventor: **Wolfgang Gotschke, Köln (DE)**

(73) Assignee: **Ford Global Technologies, LLC,**
Dearborn, MI (US)

(**) Term: **14 Years**

(21) Appl. No.: **29/386,997**

(22) Filed: **Mar. 8, 2011**

(51) **LOC (9) Cl.** **12-16**

(52) **U.S. Cl.** **D12/209**

(58) **Field of Classification Search** D12/204-213;
301/37.101, 64.101, 65, 64.201

See application file for complete search history.

(56) **References Cited**

U.S. PATENT DOCUMENTS

D475,336 S	*	6/2003	Larson	D12/209
D491,873 S	*	6/2004	Markefka	D12/211
D494,119 S	*	8/2004	Sands	D12/209
D530,259 S	*	10/2006	Sands	D12/211
D531,102 S	*	10/2006	Looho	D12/209

D570,762 S	*	6/2008	Scheu	D12/211
D572,651 S	*	7/2008	Schweizer	D12/211
D586,280 S	*	2/2009	Blasi	D12/209
D614,106 S	*	4/2010	Junker	D12/209
D627,700 S	*	11/2010	Ectors et al.	D12/209
D629,732 S	*	12/2010	Tirado	D12/209
D630,147 S	*	1/2011	Sands	D12/211
D633,845 S	*	3/2011	Scolari et al.	D12/209

OTHER PUBLICATIONS

Ford Kuga, Frankfurt Motot Show, Sep. 11, 2007.

Ford Kuga, Geneva Auto Show, Mar. 2, 2010.

* cited by examiner

Primary Examiner — Stacia Cadmus

(74) *Attorney, Agent, or Firm* — Damian Porcari

(57) **CLAIM**

The ornamental design for a vehicle wheel, as shown and described.

DESCRIPTION

FIG. 1 is a front view of a vehicle wheel; and,
FIG. 2 is a perspective view of the vehicle wheel.

1 Claim, 2 Drawing Sheets

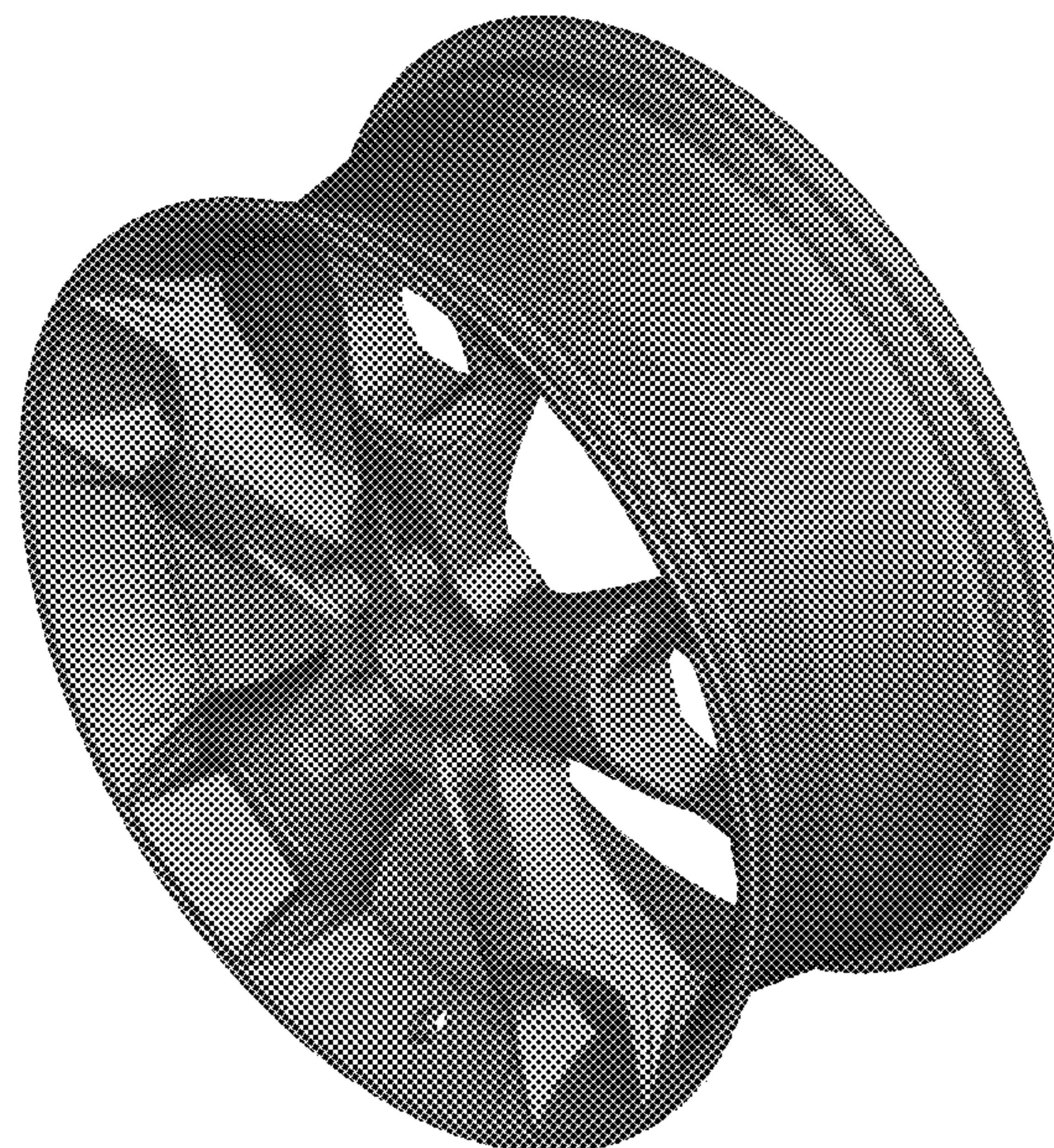
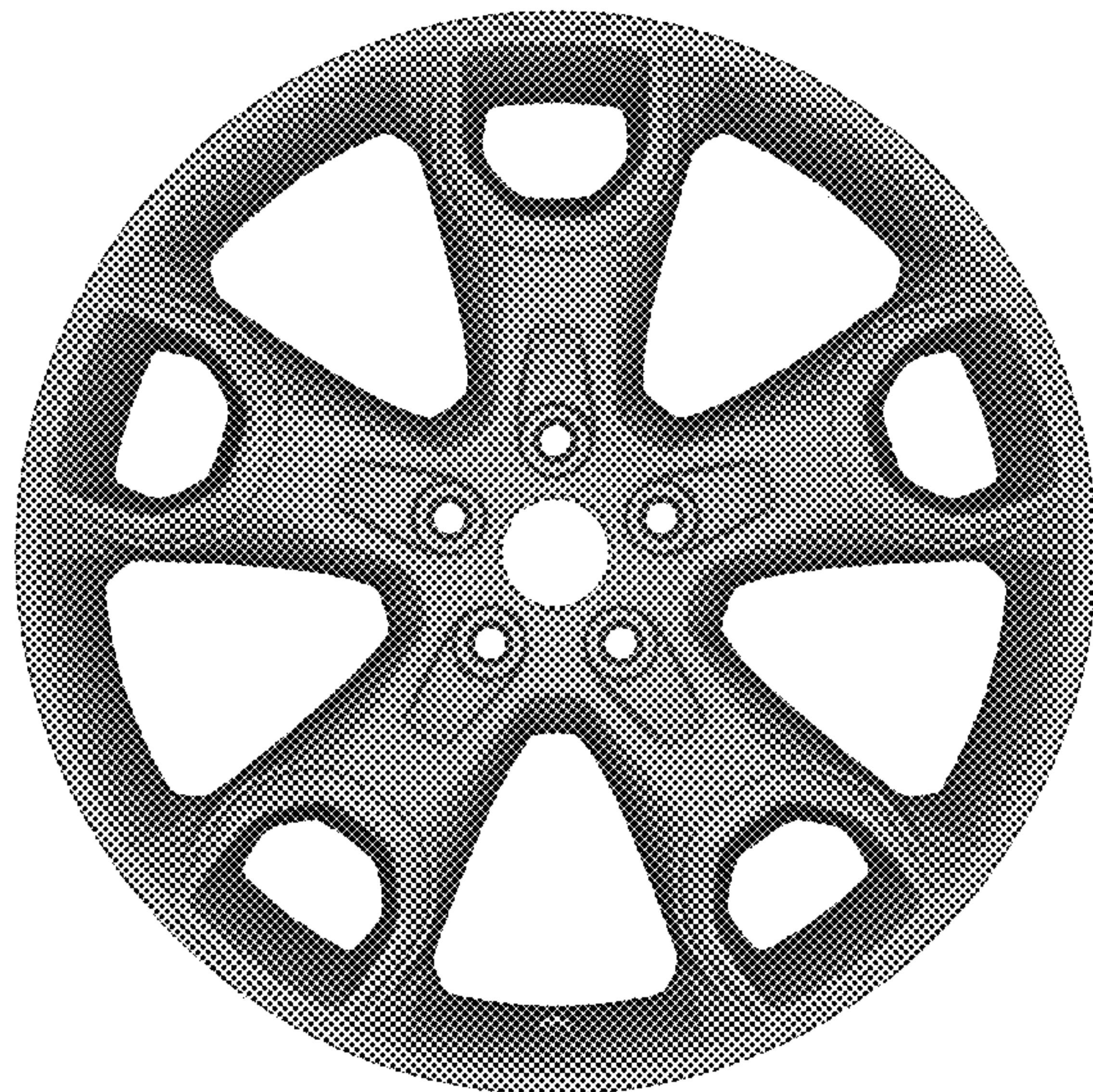




Figure 1



Figure 2