



US00D643351S

(12) **United States Design Patent**
Arbesman et al.

(10) **Patent No.:** **US D643,351 S**

(45) **Date of Patent:** **** Aug. 16, 2011**

(54) **COMBINED LOCKING CLIP AND WEAR
SENSOR FOR A MODULAR BRAKE PAD**

(76) Inventors: **Ray Arbesman**, Toronto (CA); **Nghi
Pham**, Concord (CA)

(**) Term: **14 Years**

(21) Appl. No.: **29/365,828**

(22) Filed: **Jul. 15, 2010**

(30) **Foreign Application Priority Data**

Jan. 19, 2010 (CA) 133771

(51) **LOC (9) Cl.** **12-16**

(52) **U.S. Cl.** **D12/180**

(58) **Field of Classification Search** D12/180;
188/71.1, 73.3, 73.31-73.39, 72.2, 72.4,
188/73.41-73.46, 218 XL, 370, 1.11 W, 264 A,
188/264 AA; 192/169.2, 169.3, 107 R
See application file for complete search history.

(56) **References Cited**

U.S. PATENT DOCUMENTS

5,620,064 A * 4/1997 Sano 188/73.44
D468,243 S * 1/2003 Iida D12/180
D481,659 S * 11/2003 Reimann D12/180
D483,709 S * 12/2003 Byrd et al. D12/180
D489,655 S * 5/2004 Byrd et al. D12/180

6,971,486 B2 * 12/2005 Stickney et al. 188/73.35
7,219,773 B2 * 5/2007 Ono 188/73.38
7,267,208 B2 * 9/2007 Jedele et al. 188/73.38
7,308,974 B2 * 12/2007 Barbosa et al. 188/72.3
7,644,809 B2 * 1/2010 Cortinovic et al. 188/73.38

* cited by examiner

Primary Examiner — Melody N Brown

(74) *Attorney, Agent, or Firm* — Patterson & Sheridan, LLP

(57) **CLAIM**

The ornamental design for a combined locking clip and wear sensor for a modular brake pad, as shown and described.

DESCRIPTION

FIG. 1 is a front perspective view of a combined locking clip and wear sensor for a modular brake pad showing our new design;

FIG. 2 is a rear perspective view thereof;

FIG. 3 is a front view thereof;

FIG. 4 is a rear view thereof;

FIG. 5 is a left side view thereof;

FIG. 6 is a right side view thereof;

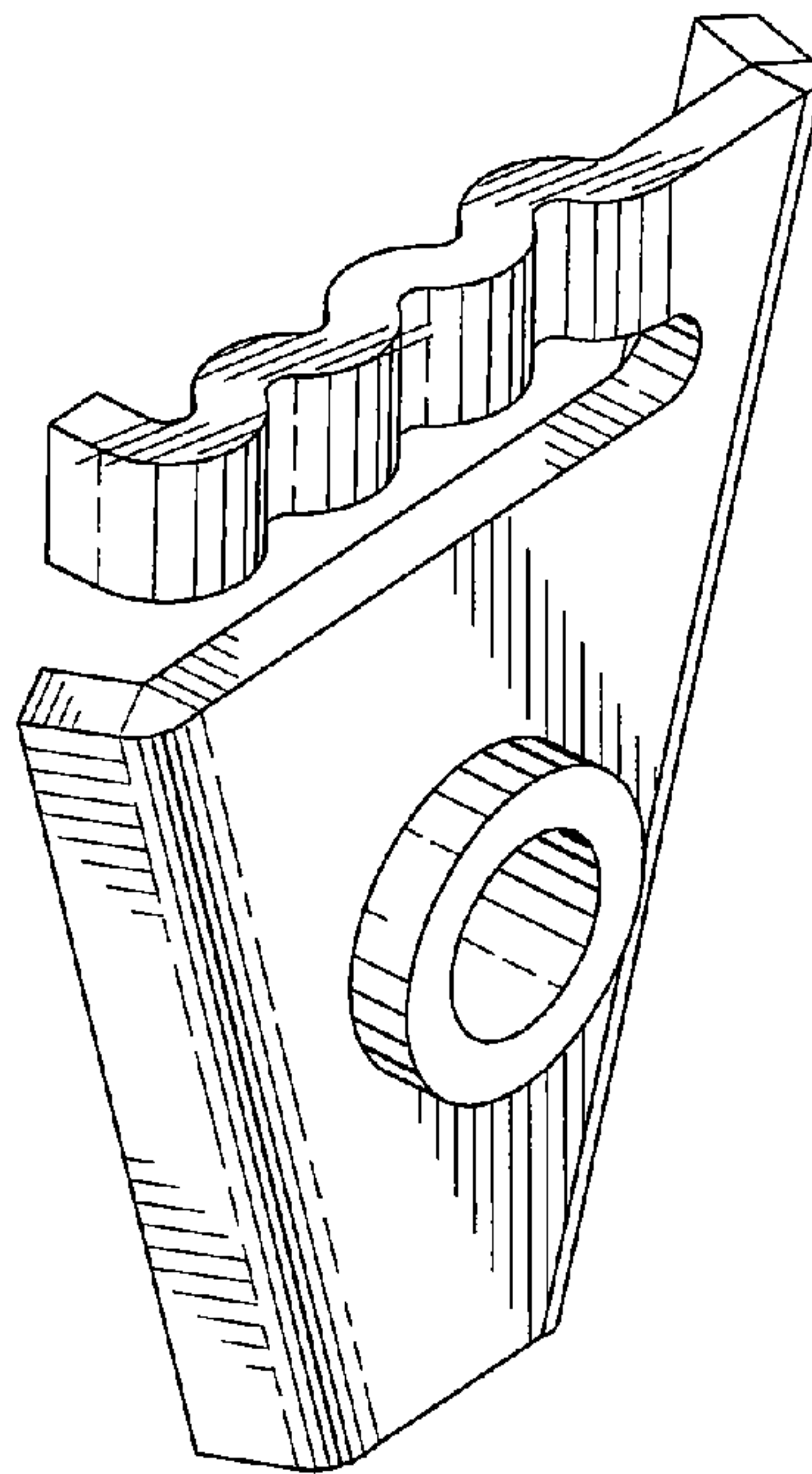
FIG. 7 is a top view thereof;

FIG. 8 is a bottom view thereof; and,

FIG. 9 is another front perspective view thereof.

The broken line portions shown in FIG. 9 illustrate environmental structure and form no part of the claimed design.

1 Claim, 5 Drawing Sheets



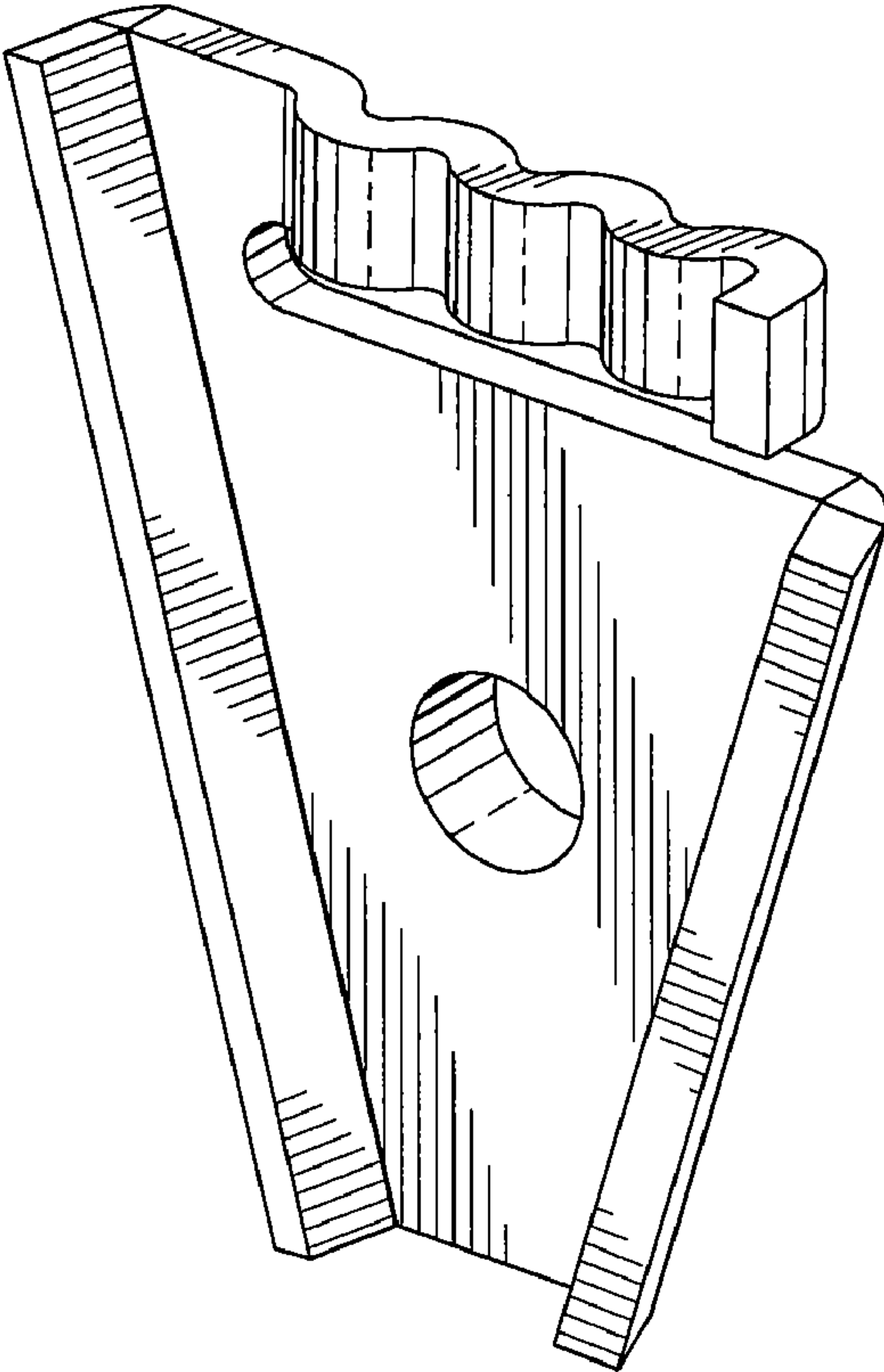


FIG. 1

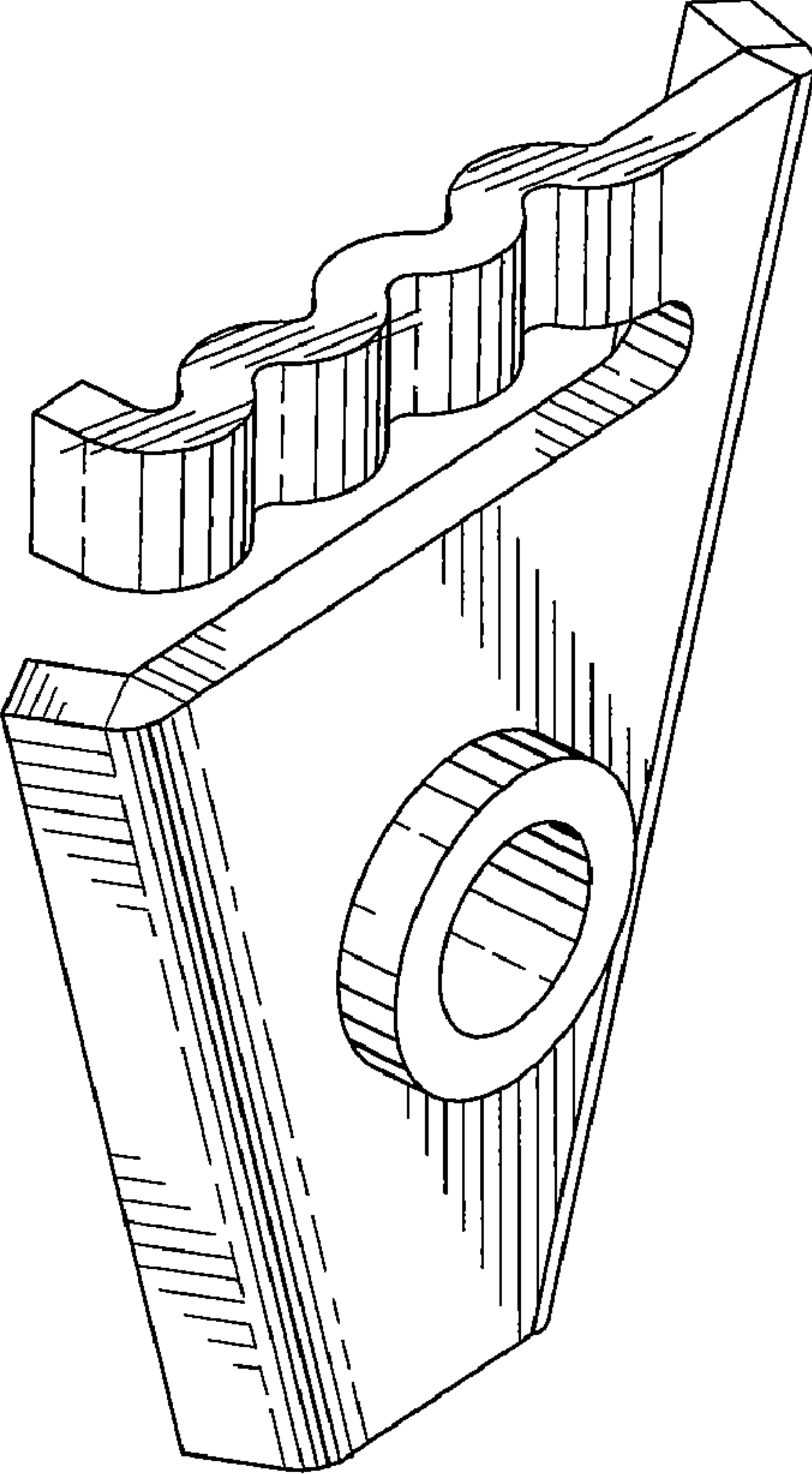


FIG. 2

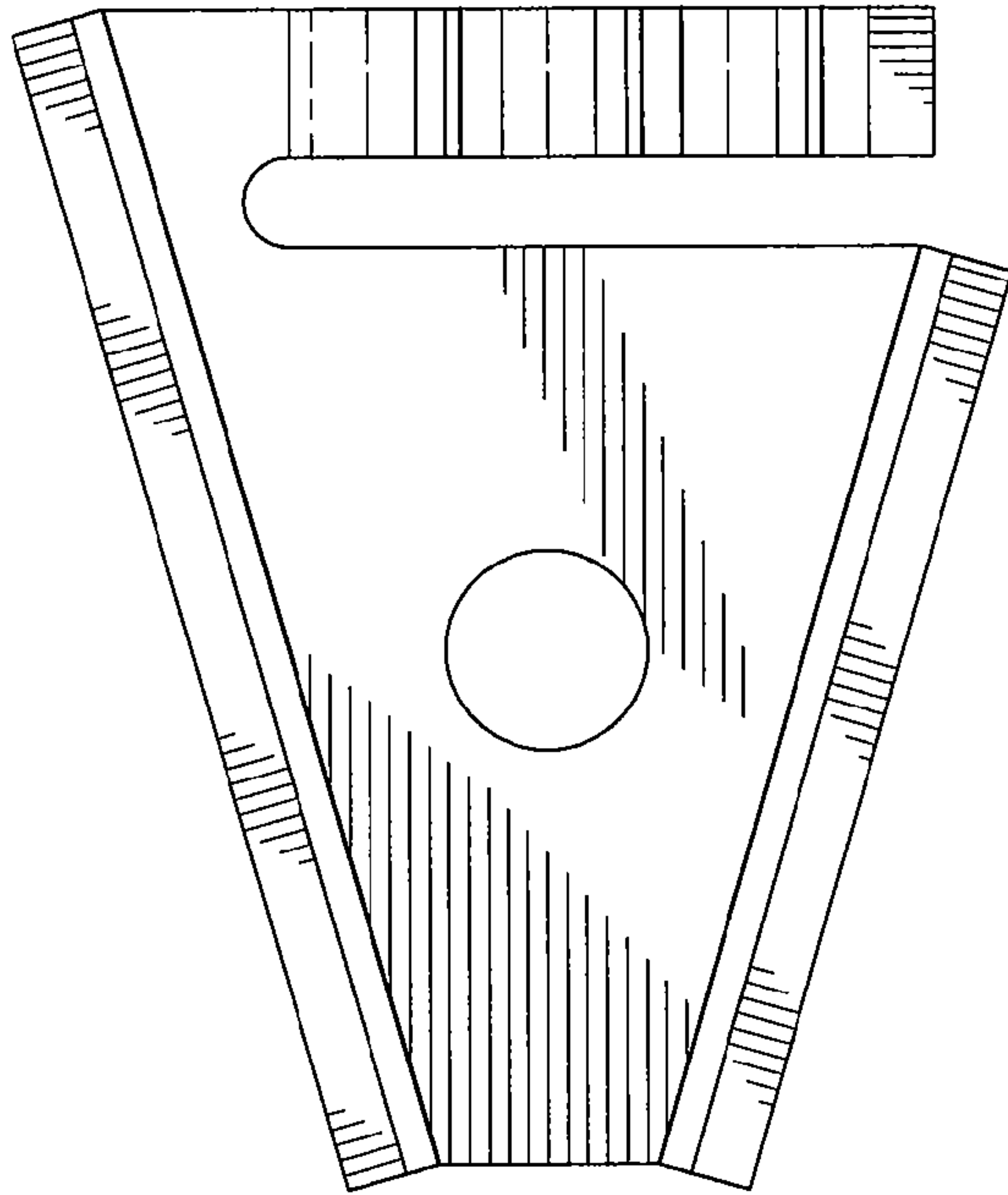


FIG.3

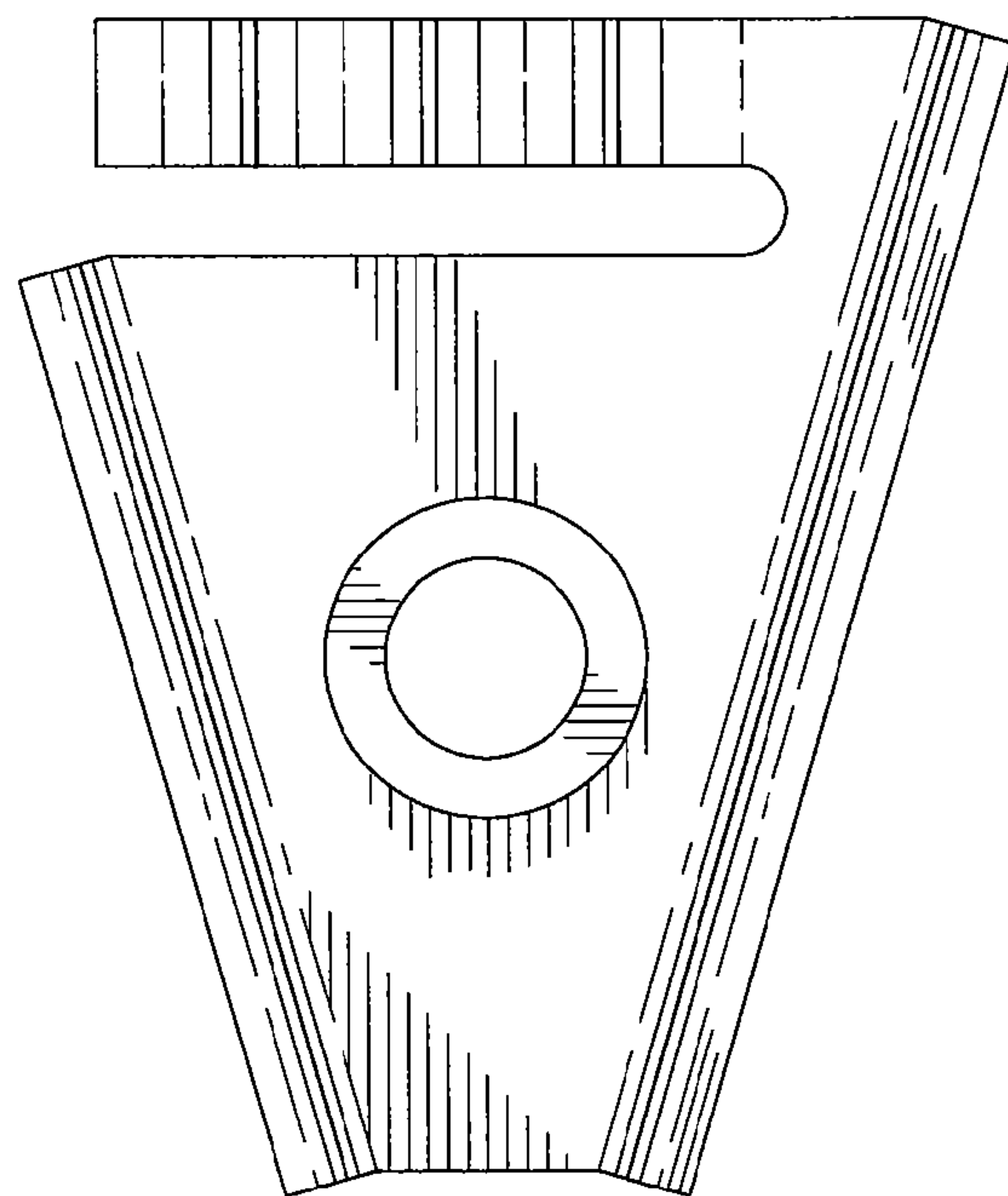


FIG.4

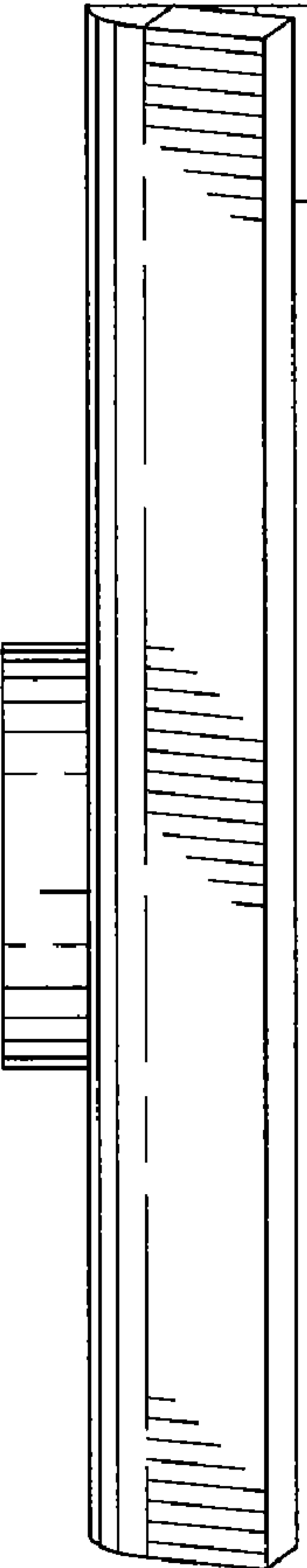


FIG. 5

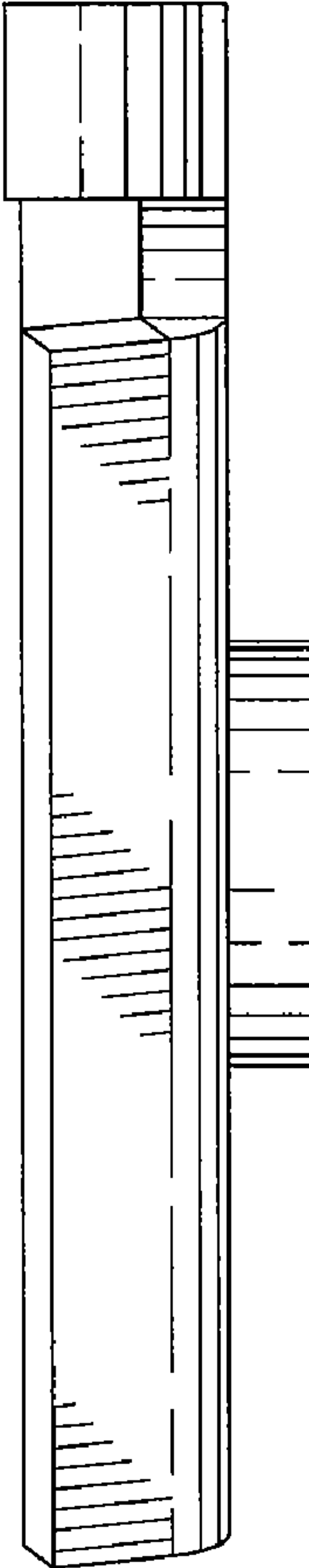


FIG. 6

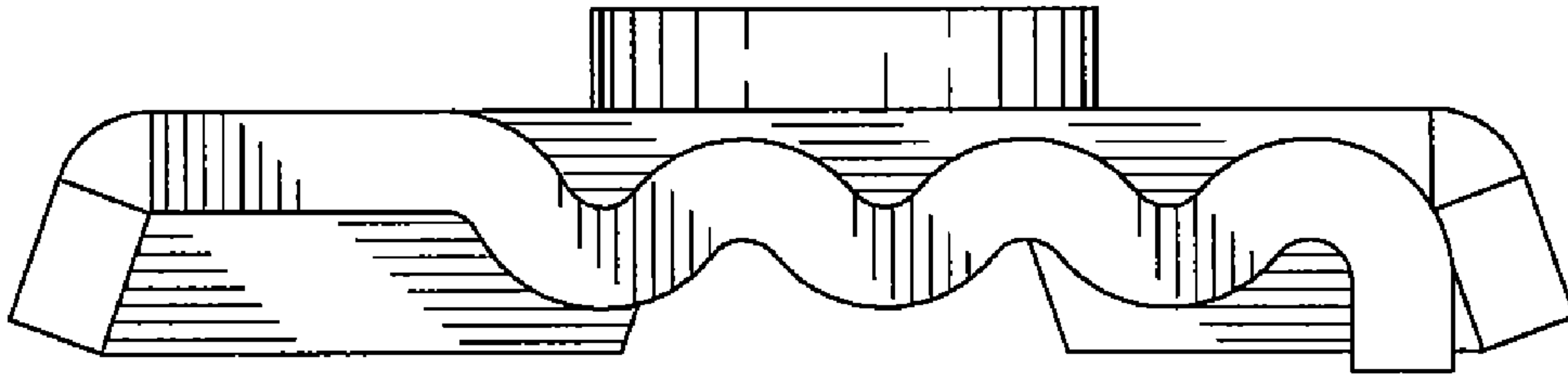


FIG. 7

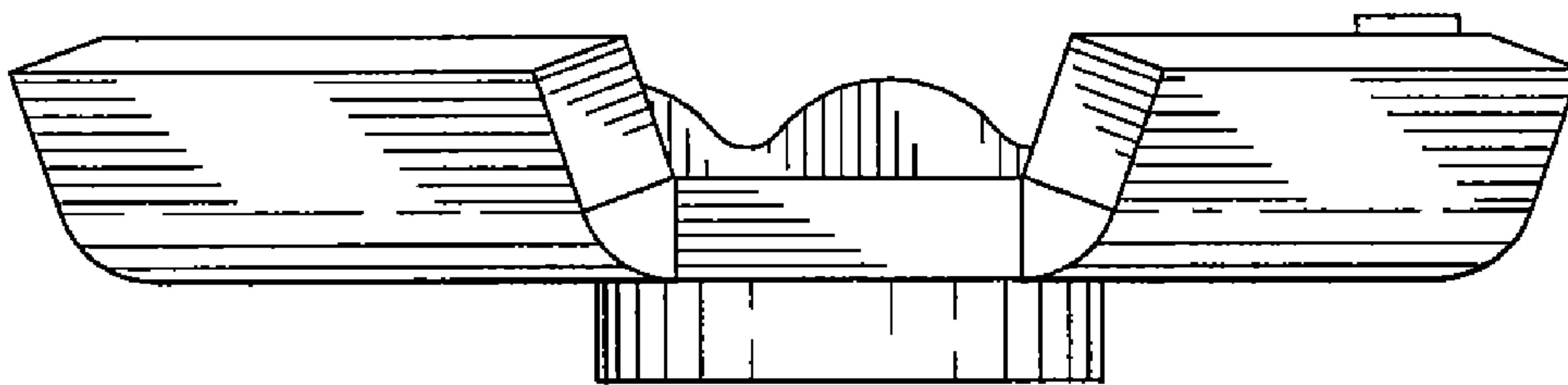


FIG. 8

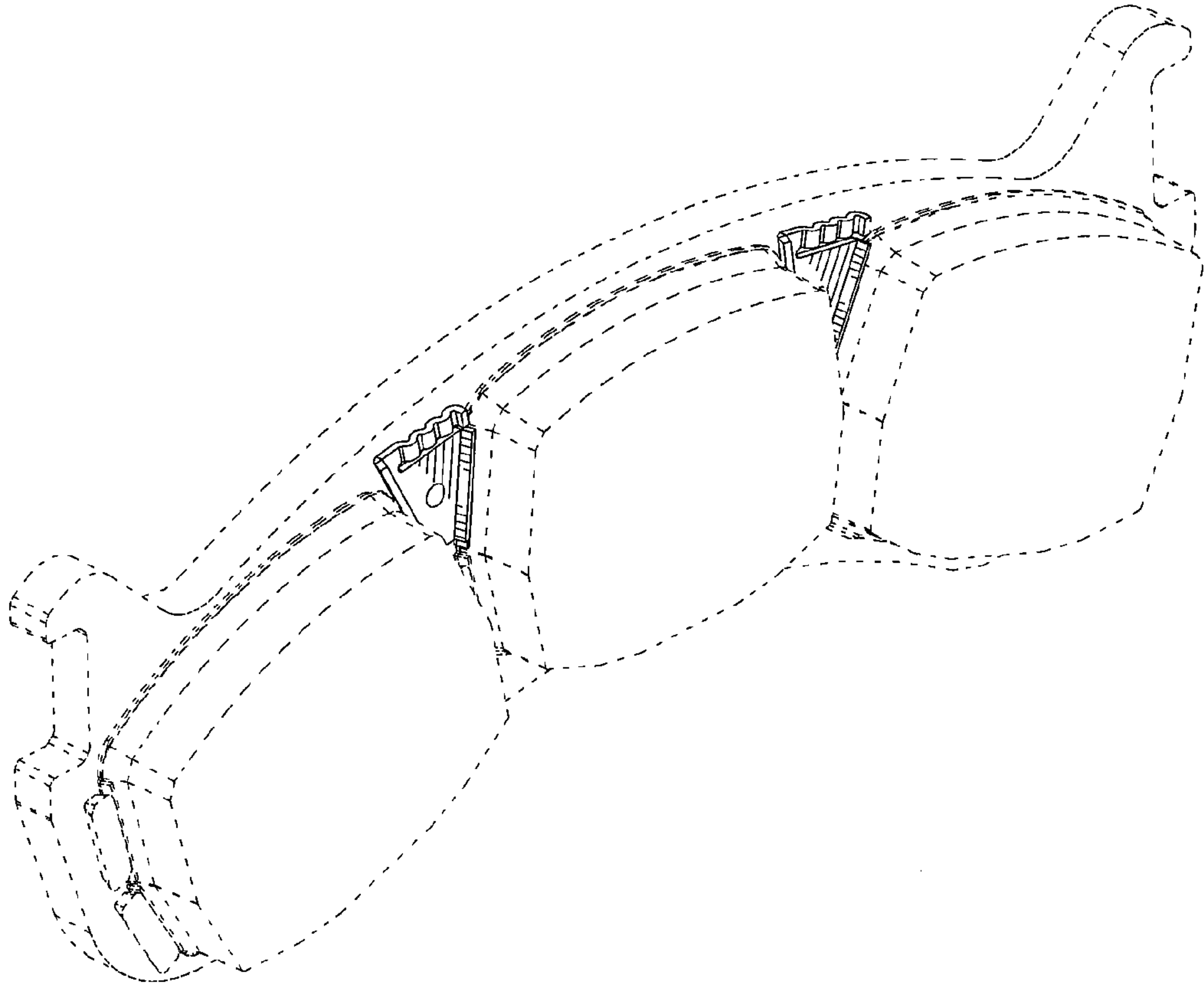


FIG.9