



US00D643347S

(12) **United States Design Patent**  
**Chandler**

(10) **Patent No.:** **US D643,347 S**

(45) **Date of Patent:** **\*\* Aug. 16, 2011**

(54) **INFANT STROLLER**

(76) Inventor: **Darryl L. Chandler**, Halifax, VA (US)

(\*\*) Term: **14 Years**

(21) Appl. No.: **29/378,098**

(22) Filed: **Oct. 29, 2010**

(51) **LOC (9) Cl.** ..... **12-12**

(52) **U.S. Cl.** ..... **D12/129**

(58) **Field of Classification Search** ..... D12/128-133;  
280/62, 647-650, 29, 200, 47.38, 250.1,  
280/259, 642, 658; 297/DIG. 4; 296/65.03,  
296/65.04; 224/209; 414/921; 135/65-67,  
135/74; D6/360, 368

See application file for complete search history.

(56) **References Cited**

U.S. PATENT DOCUMENTS

D305,316 S *	1/1990	Lin	.....	D12/129
D328,047 S *	7/1992	Huang	.....	D12/129
D335,642 S *	5/1993	Huang	.....	D12/129
5,261,690 A	11/1993	Kluber		
5,460,395 A *	10/1995	Chen	.....	280/204
D381,297 S *	7/1997	Eyman et al.	.....	D12/129
D382,837 S *	8/1997	Haut et al.	.....	D12/129
D411,490 S	6/1999	Pierce		
D421,940 S	3/2000	Gibson et al.		
6,139,046 A	10/2000	Aalund et al.		
6,244,557 B1	6/2001	Maze		
6,267,405 B1 *	7/2001	Chen	.....	280/647

6,402,166 B1 *	6/2002	Chiu	.....	280/47.38
6,557,885 B1 *	5/2003	Kakuda	.....	280/647
6,764,133 B2	7/2004	Osato		
6,880,850 B2 *	4/2005	Hsia	.....	280/642
7,077,405 B2	7/2006	Akpom		
2002/0140246 A1	10/2002	Worrell et al.		
2007/0085286 A1	4/2007	Gibree		

\* cited by examiner

*Primary Examiner* — Ian Simmons

*Assistant Examiner* — Charles Hanson

(74) *Attorney, Agent, or Firm* — Montgomery Patent and Design; Robert C. Montgomery; Joseph T. Yaksich

(57) **CLAIM**

The ornamental design for an infant stroller, as shown and described.

**DESCRIPTION**

FIG. 1 is a front perspective of an infant stroller, showing my new design;

FIG. 2 is a rear perspective view thereof;

FIG. 3 is a front view thereof;

FIG. 4 is a rear view thereof;

FIG. 5 is a left side view thereof;

FIG. 6 is a right side view thereof;

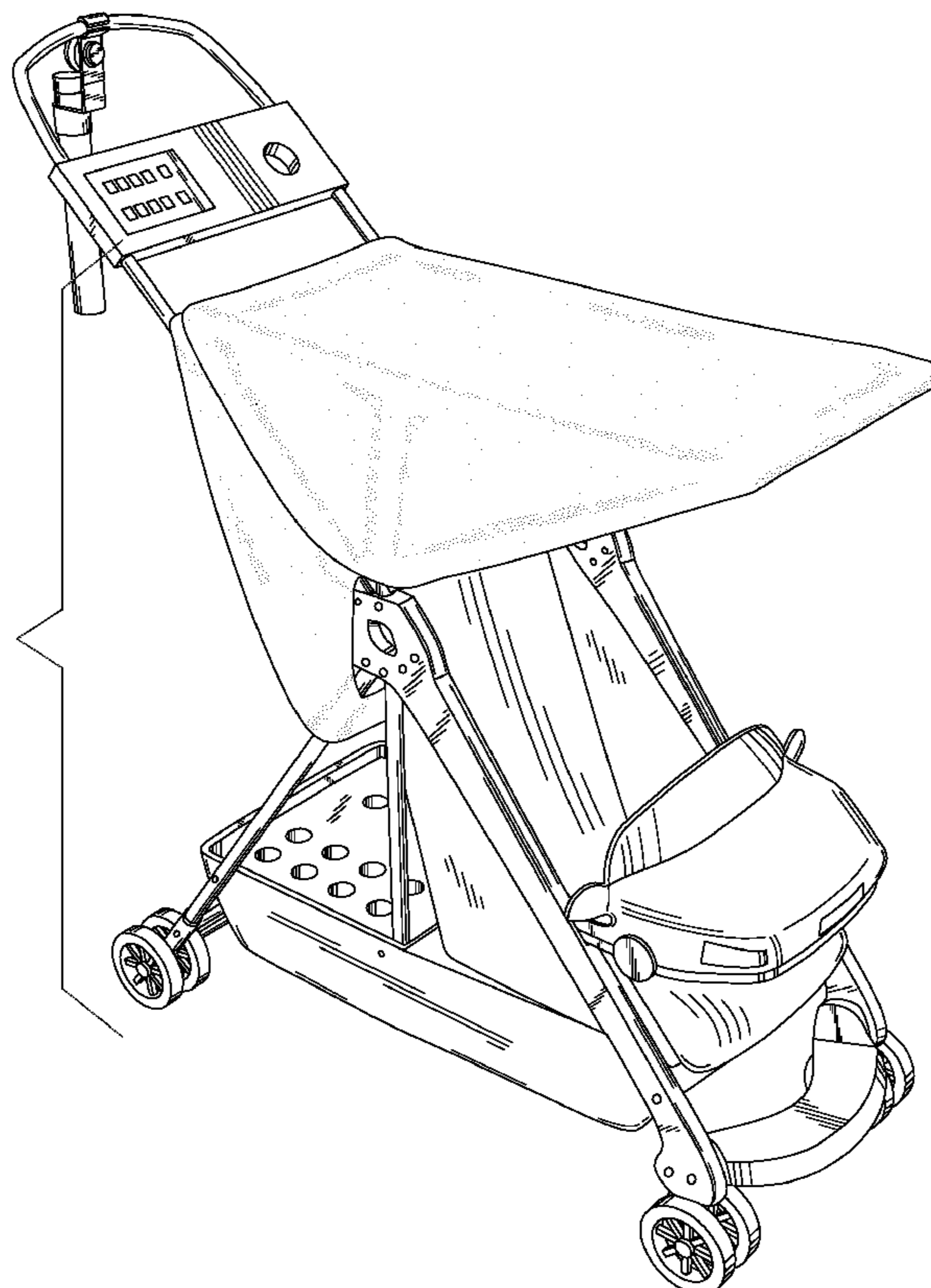
FIG. 7 is a top view thereof; and,

FIG. 8 is a bottom view thereof; and,

FIG. 9 is a rear view of the infant stroller shown with a deployed umbrella.

The broken line showing of an umbrella in FIG. 9 is for the purpose of illustrating environment and forms no part of the claimed design.

**1 Claim, 9 Drawing Sheets**



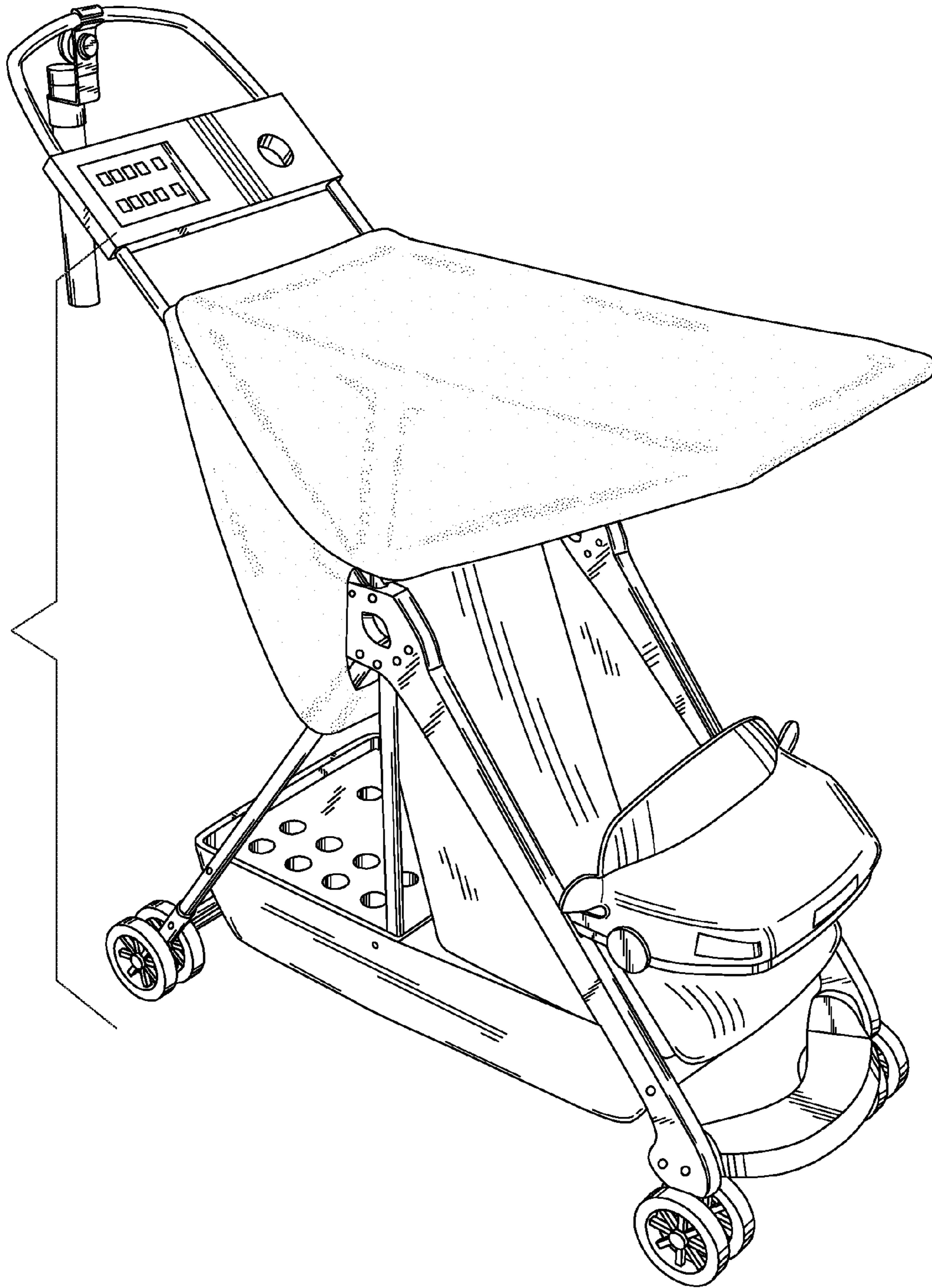


Fig. 1

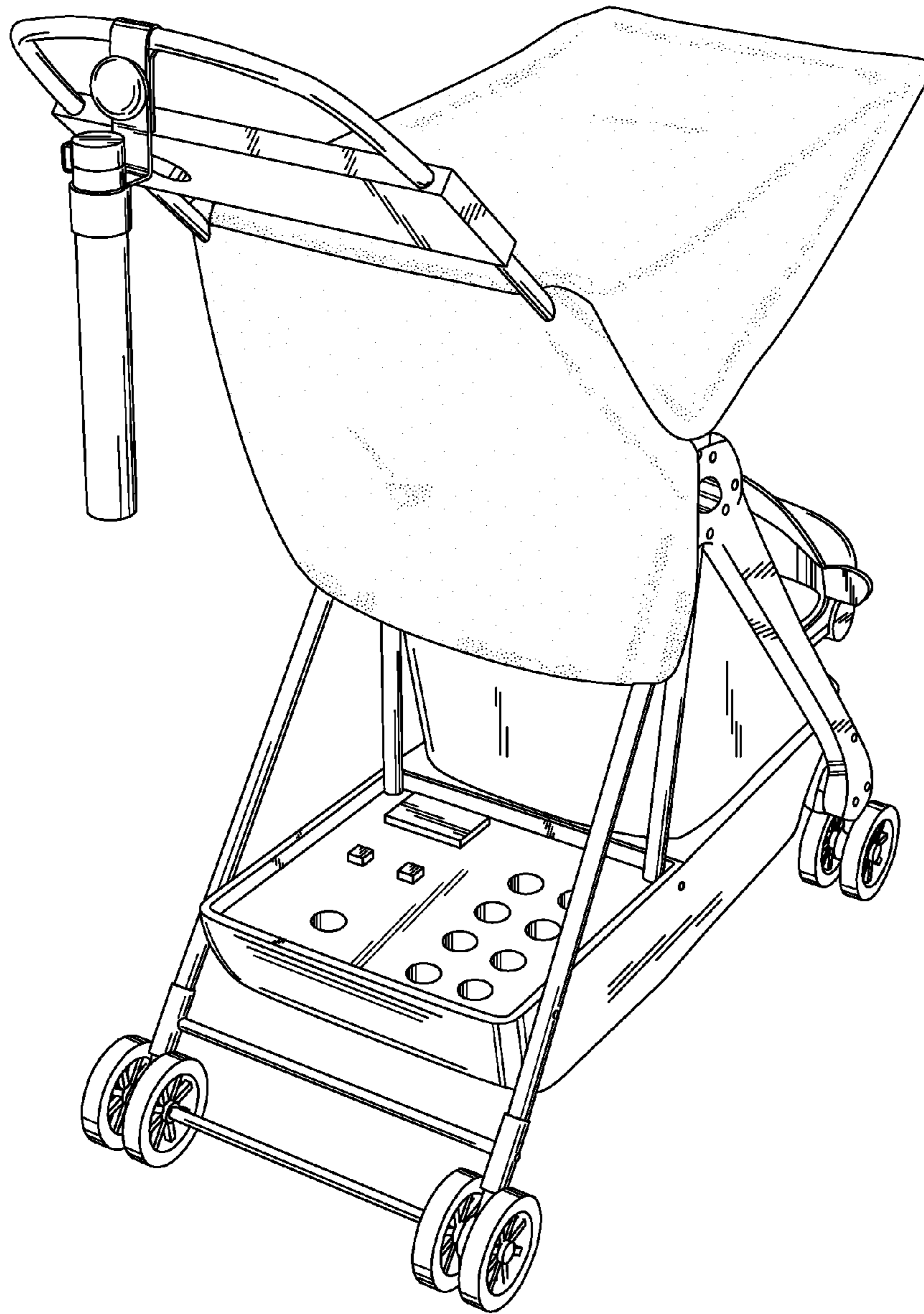


Fig. 2

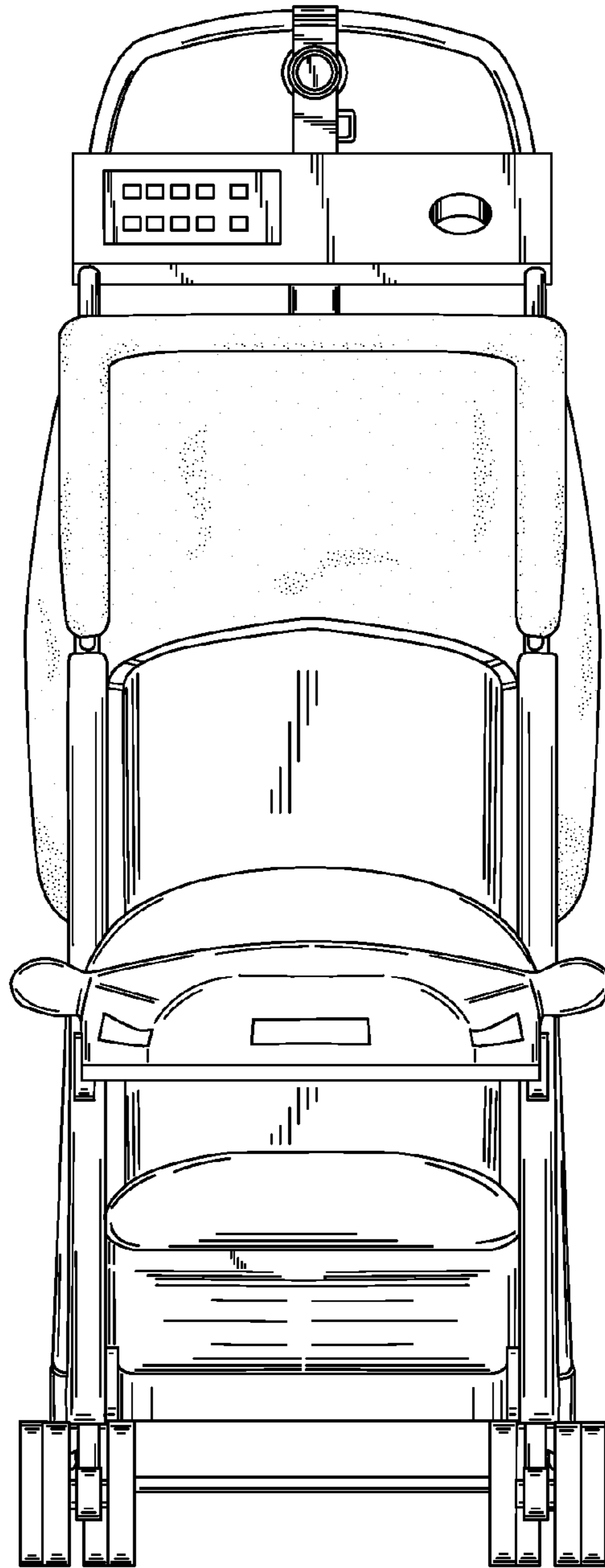


Fig. 3

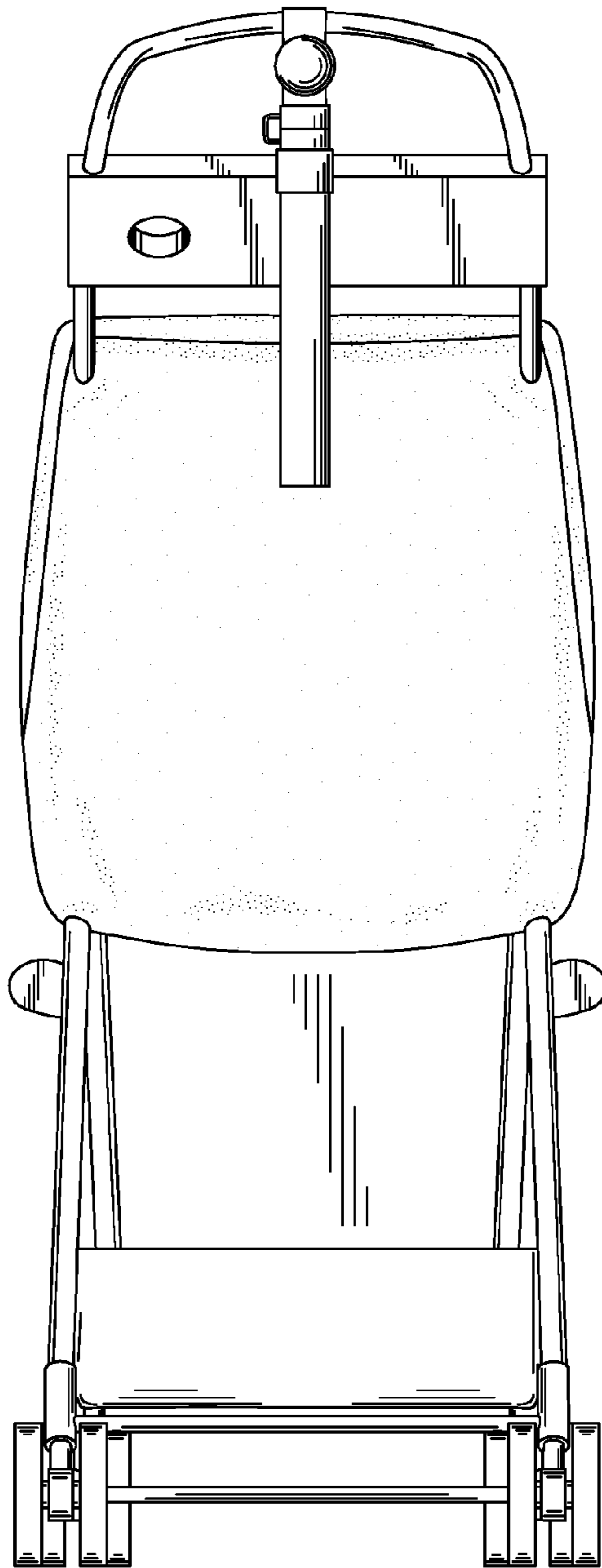


Fig. 4

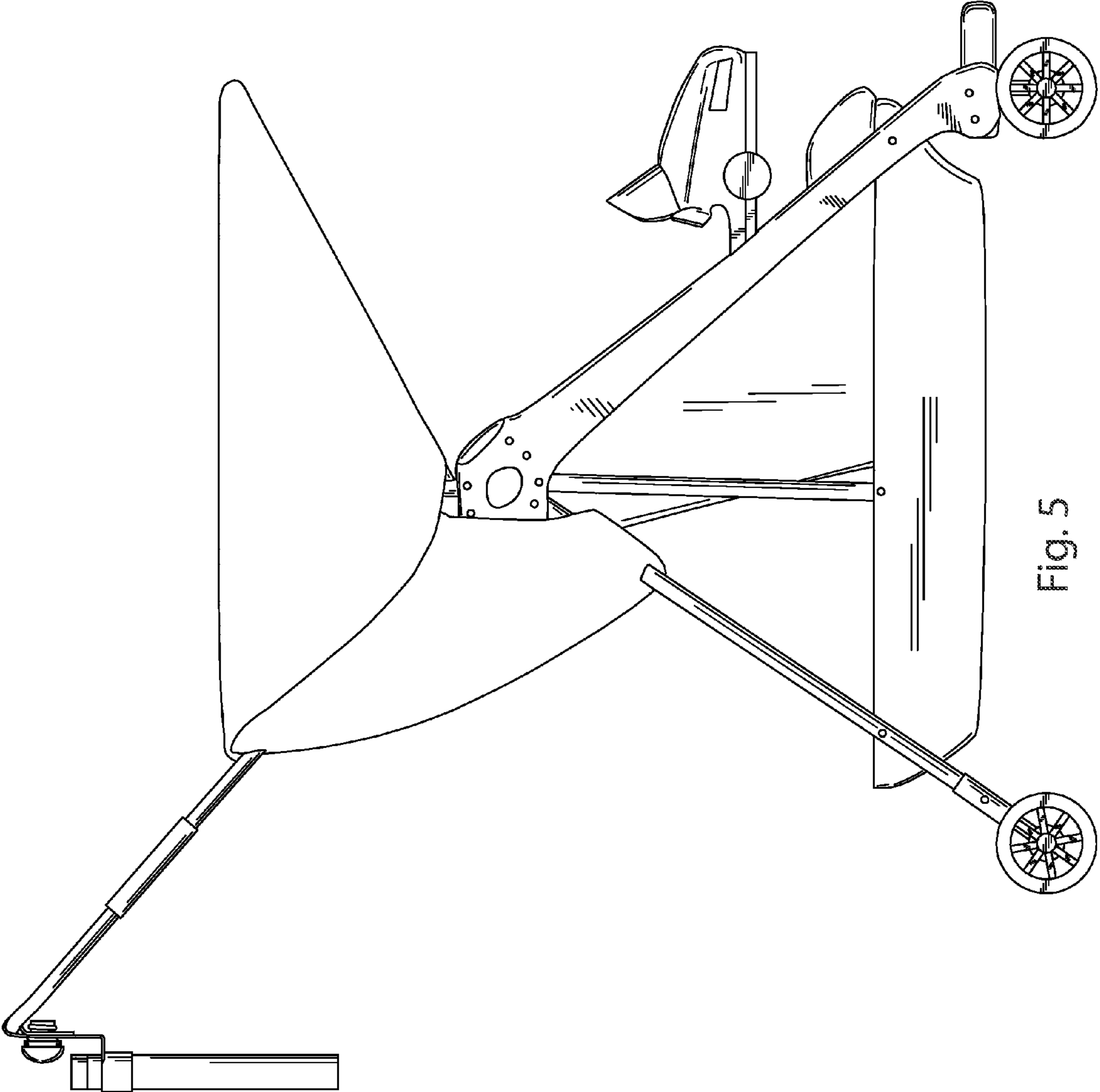


Fig. 5

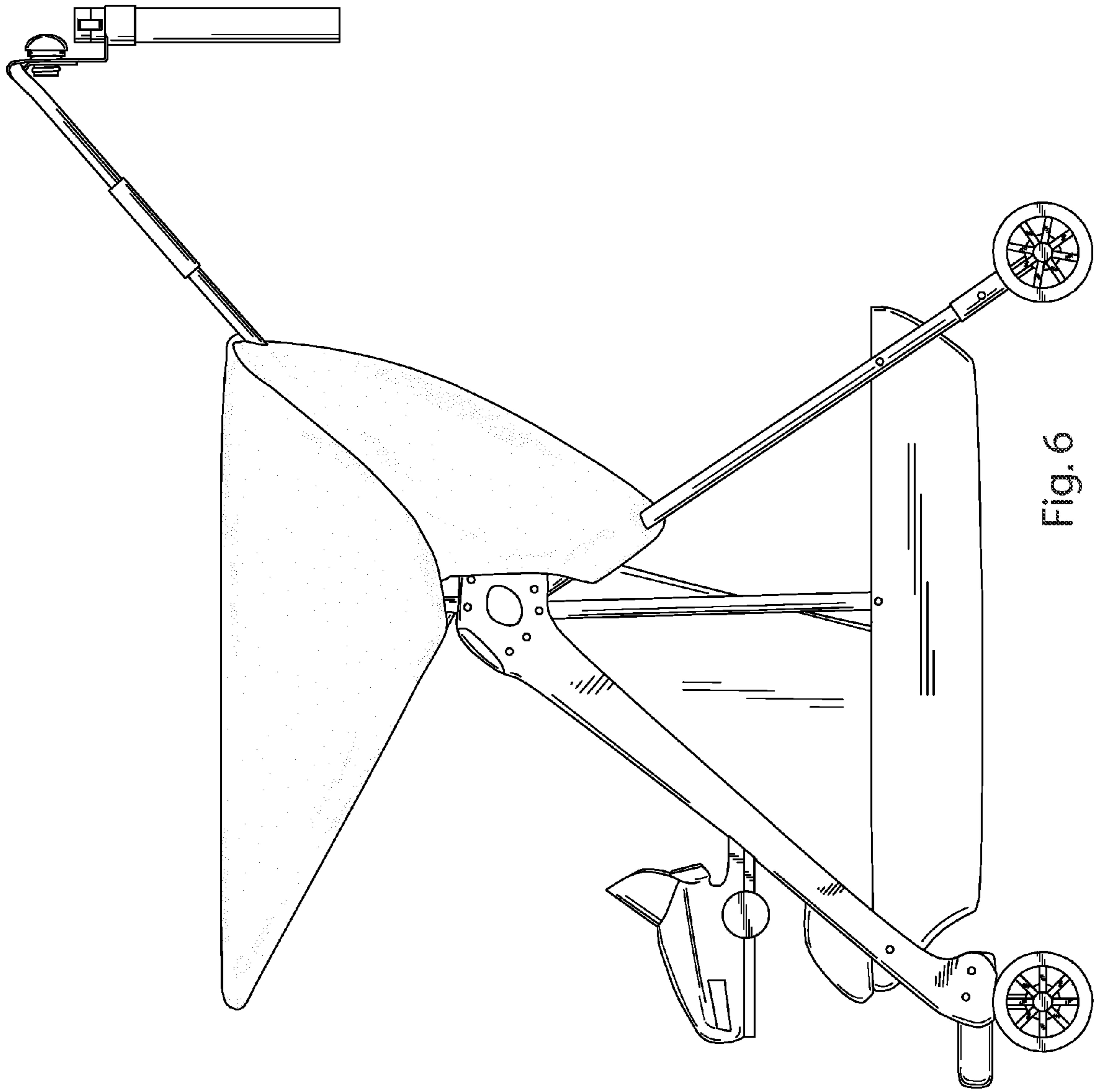


Fig. 6

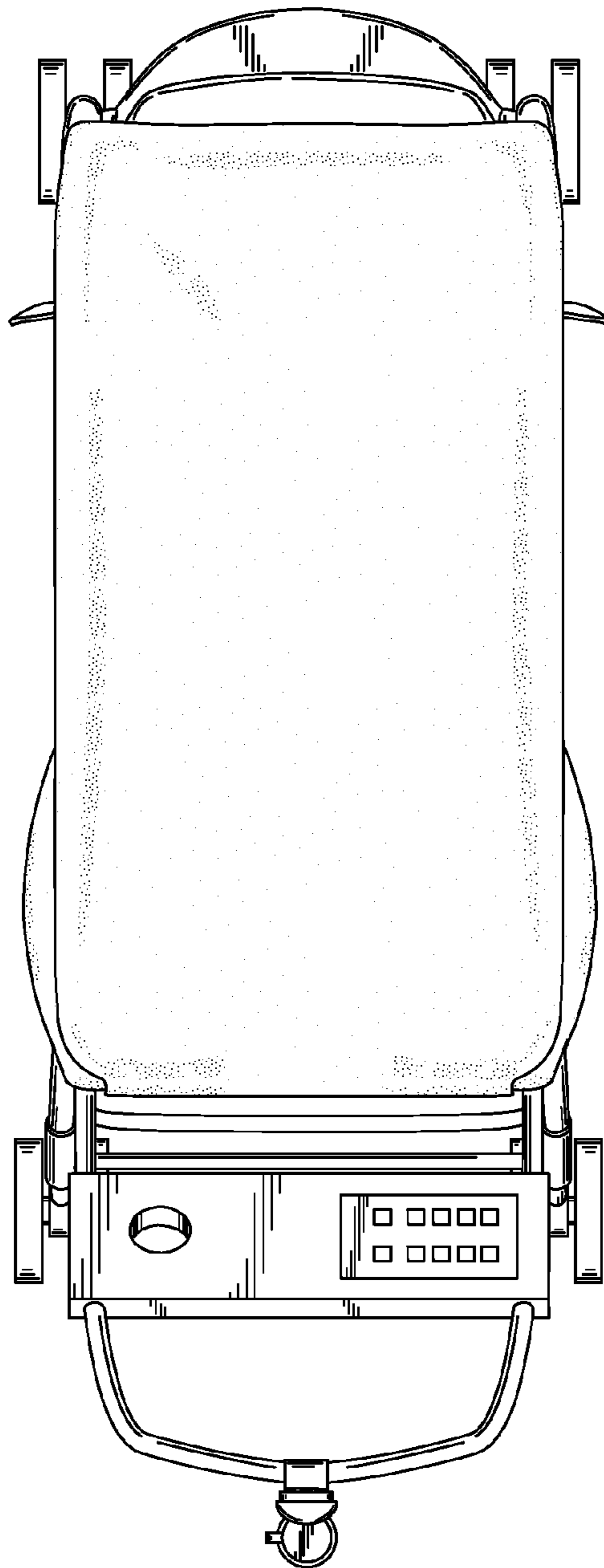


Fig. 7



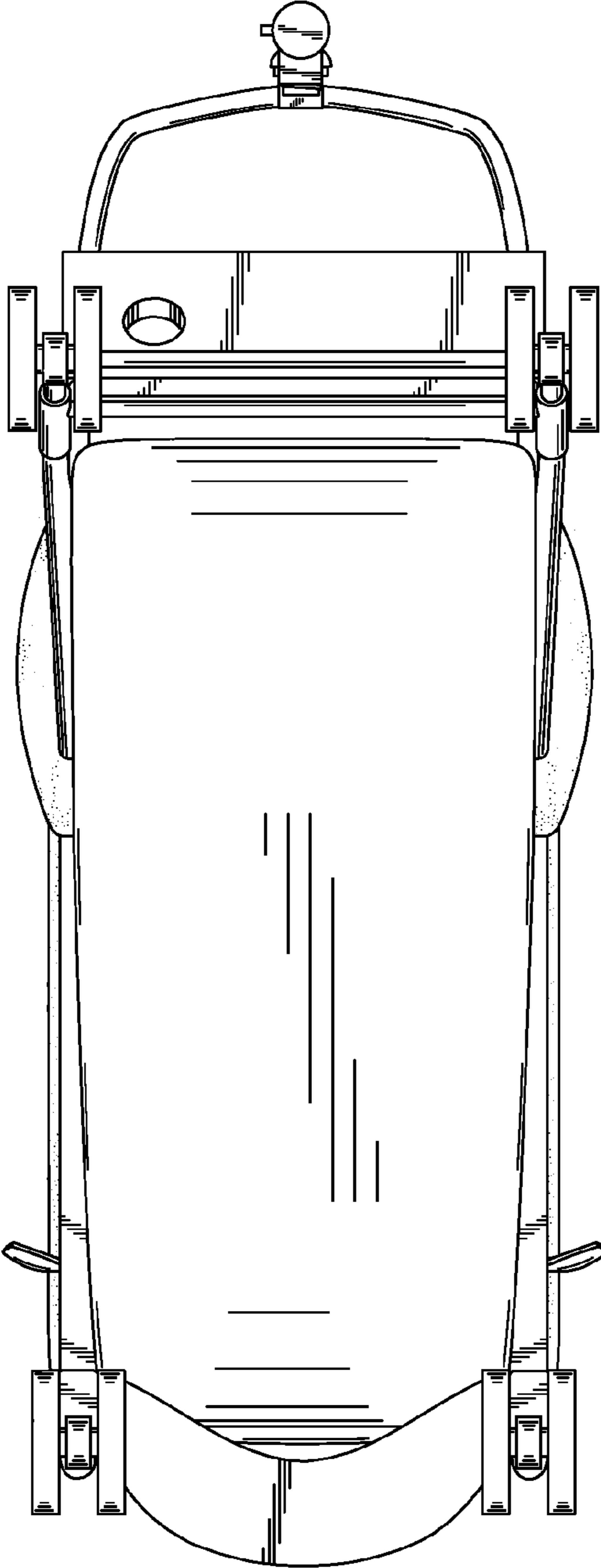


Fig. 8

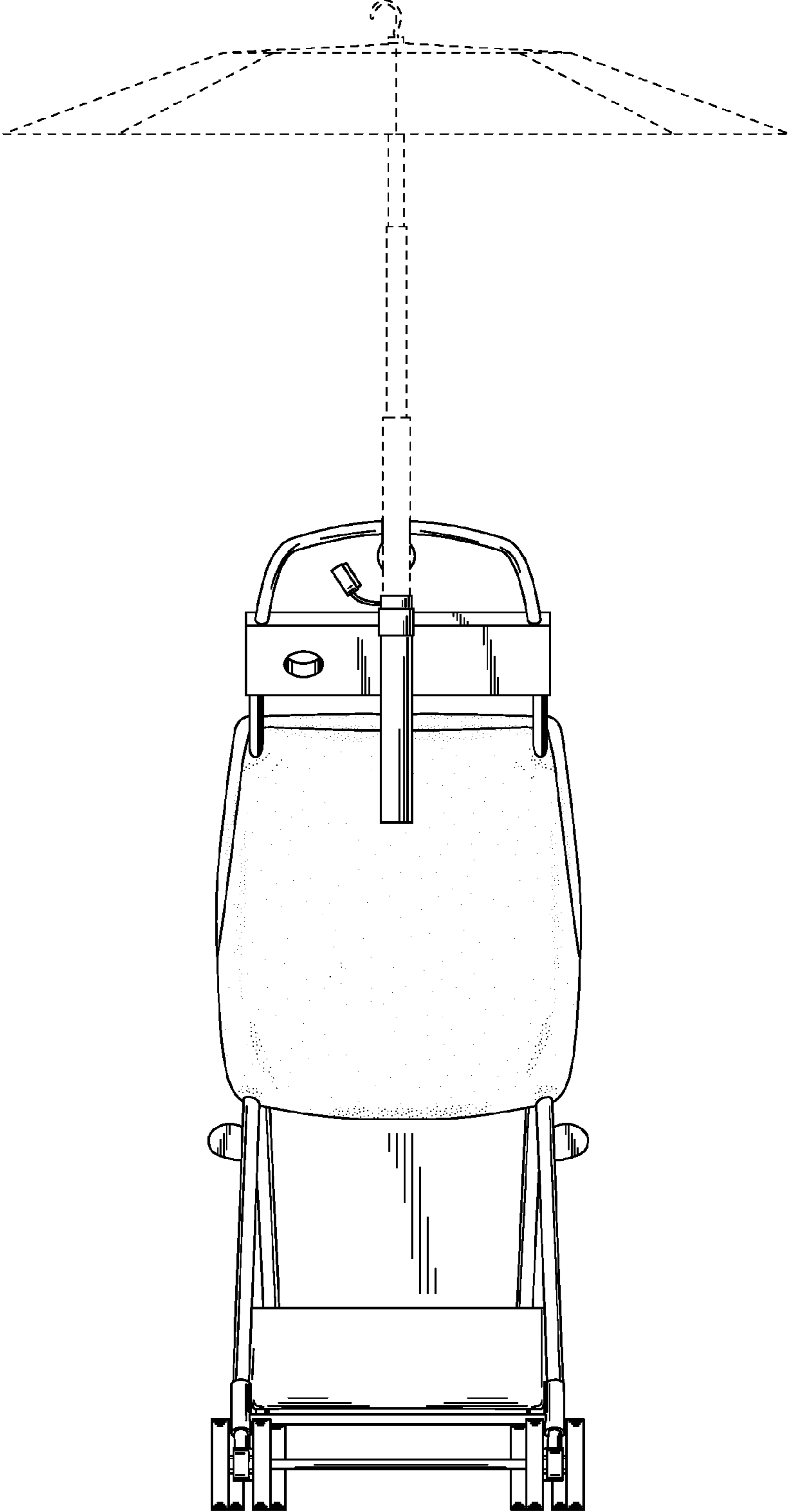


Fig. 9