



US00D643346S

(12) **United States Design Patent**
Barenbrug

(10) **Patent No.:** **US D643,346 S**

(45) **Date of Patent:** **** Aug. 16, 2011**

(54) **STROLLER**

(75) Inventor: **Max Barenbrug**, Amsterdam Zuidoost (NL)

(73) Assignee: **Royalty Bugaboo GmbH**, Zug (CH)

(**) Term: **14 Years**

(21) Appl. No.: **29/372,628**

(22) Filed: **Dec. 15, 2010**

(30) **Foreign Application Priority Data**

Aug. 13, 2010 (EM) 001229868-002

(51) **LOC (9) Cl.** **12-12**

(52) **U.S. Cl.** **D12/129**

(58) **Field of Classification Search** D12/128-133;
280/62, 647-650, 29, 200, 47.38, 250.1,
280/259, 642, 658; 297/DIG. 4; 296/65.03,
296/65.04; 224/209; 414/921; 135/65-67,
135/74; D6/360, 368

See application file for complete search history.

(56) **References Cited**

U.S. PATENT DOCUMENTS

D246,518	S	*	11/1977	Maclaren	D12/128
4,697,823	A	*	10/1987	Kassai	280/644
D305,013	S	*	12/1989	Bigo et al.	D12/129
D307,879	S	*	5/1990	Giambrone	D12/129
D325,550	S	*	4/1992	Kato et al.	D12/129
5,580,072	A	*	12/1996	Monneret	280/47.38
5,741,021	A	*	4/1998	Saint et al.	280/47.38
D452,191	S	*	12/2001	Carpenter	D12/129
6,715,783	B1	*	4/2004	Hanson et al.	280/642

D566,013	S	*	4/2008	Wang	D12/129
D579,827	S	*	11/2008	Lake	D12/129
D593,459	S	*	6/2009	Liao	D12/129
D595,621	S	*	7/2009	Ci Xiao	D12/129

OTHER PUBLICATIONS

U.S. Appl. No. 29/372,625, filed Dec. 15, 2010; First named inventor: Max Barenbrug.

U.S. Appl. No. 29/372,627, filed Dec. 15, 2010; First named inventor: Max Barenbrug.

U.S. Appl. No. 29/372,626, filed Dec. 15, 2010; First named inventor: Max Barenbrug.

* cited by examiner

Primary Examiner — Ian Simmons

Assistant Examiner — Charles Hanson

(74) *Attorney, Agent, or Firm* — Fross Zelnick Lehrman & Zissu, P.C.; Charles T. J. Weigell, Esq.

(57) **CLAIM**

The ornamental design for a stroller, as shown and described.

DESCRIPTION

FIG. 1 is a front perspective view of a stroller showing my new design;

FIG. 2 is a rear perspective view of the stroller shown in FIG. 1;

FIG. 3 is a left side view of the stroller shown in FIG. 1;

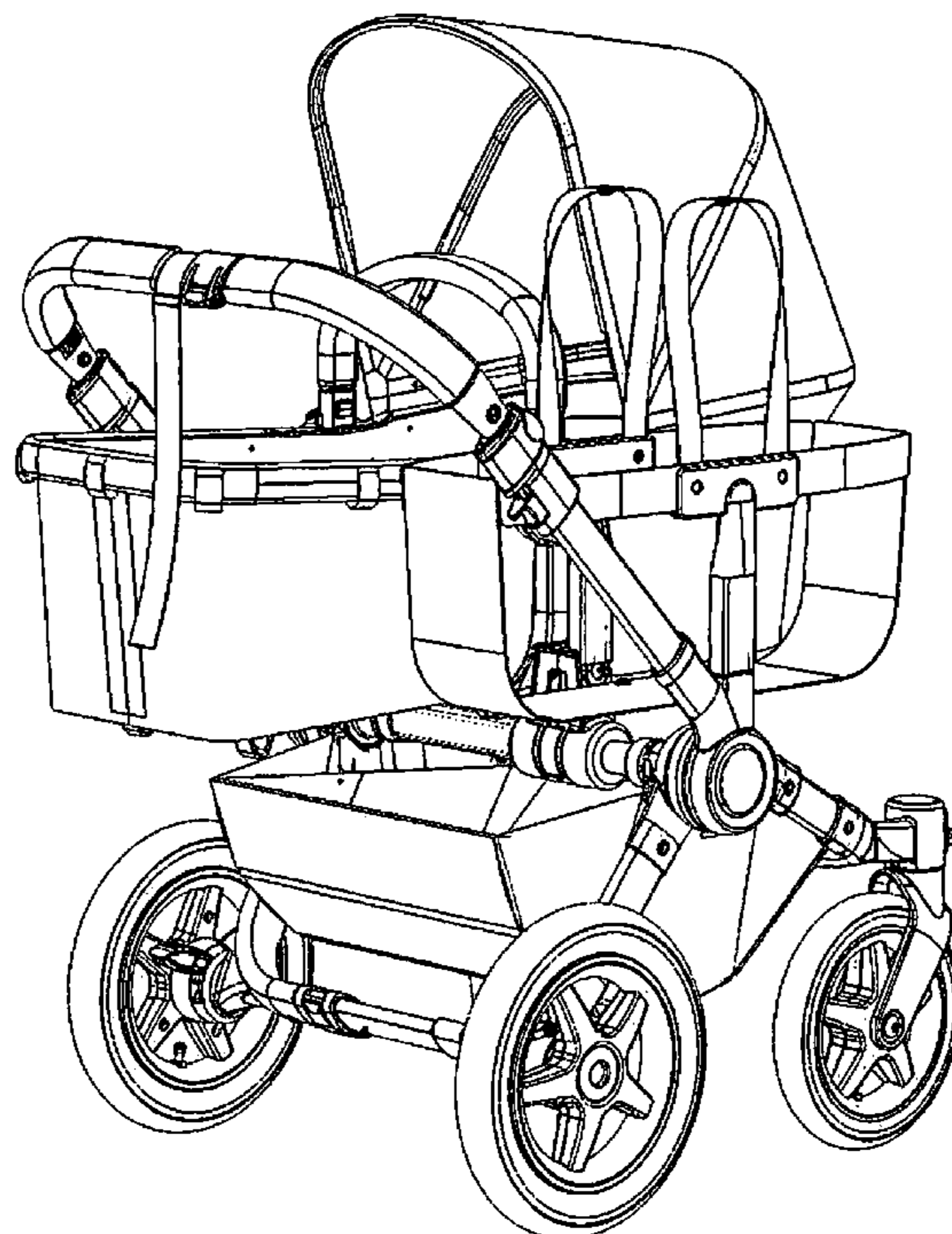
FIG. 4 is a right side view of the stroller shown in FIG. 1;

FIG. 5 is a front view of the stroller shown in FIG. 1;

FIG. 6 is a rear view of the stroller shown in FIG. 1; and,

FIG. 7 is a left side view of the stroller shown in FIG. 1, shown in a collapsed position.

1 Claim, 7 Drawing Sheets



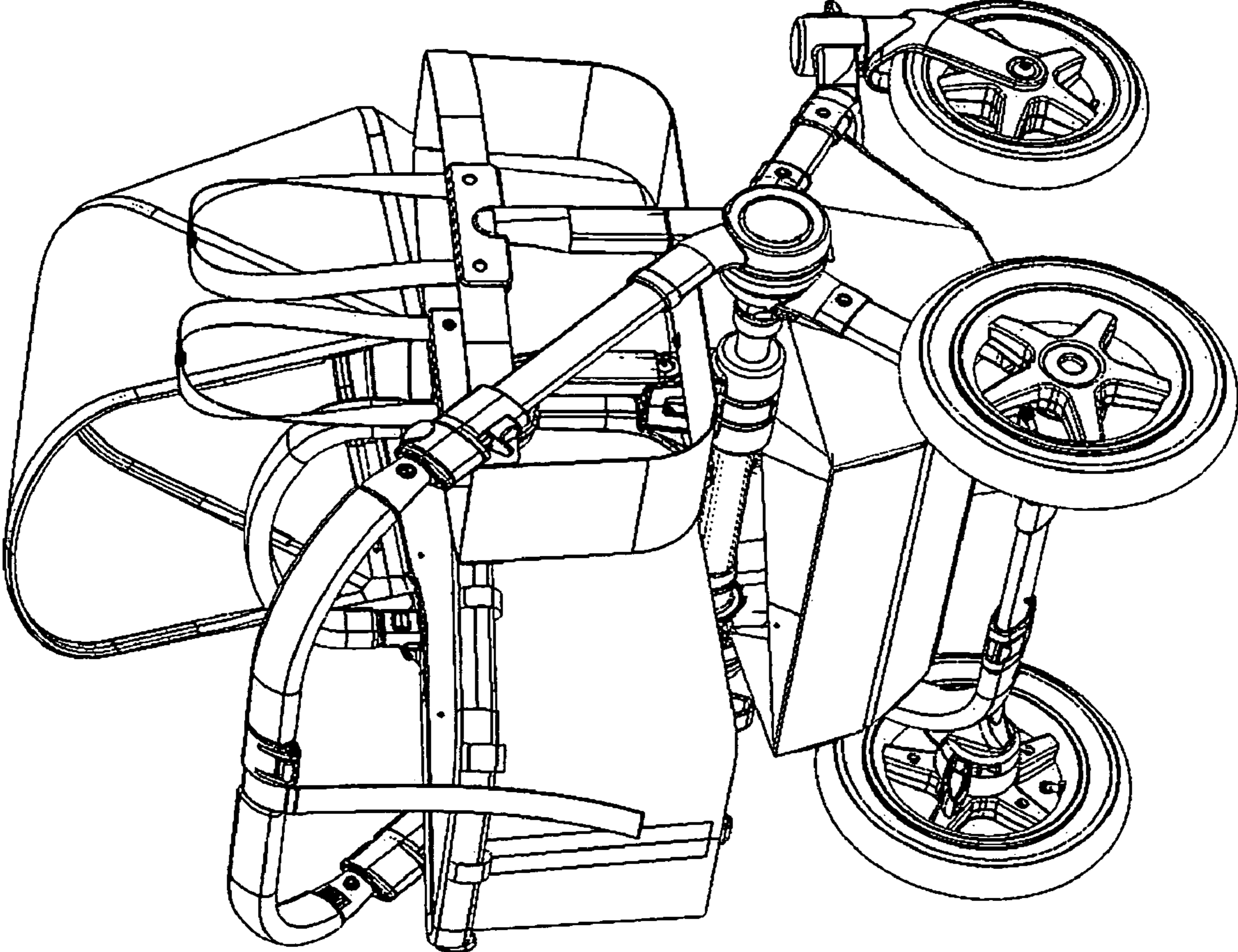


Fig. 1

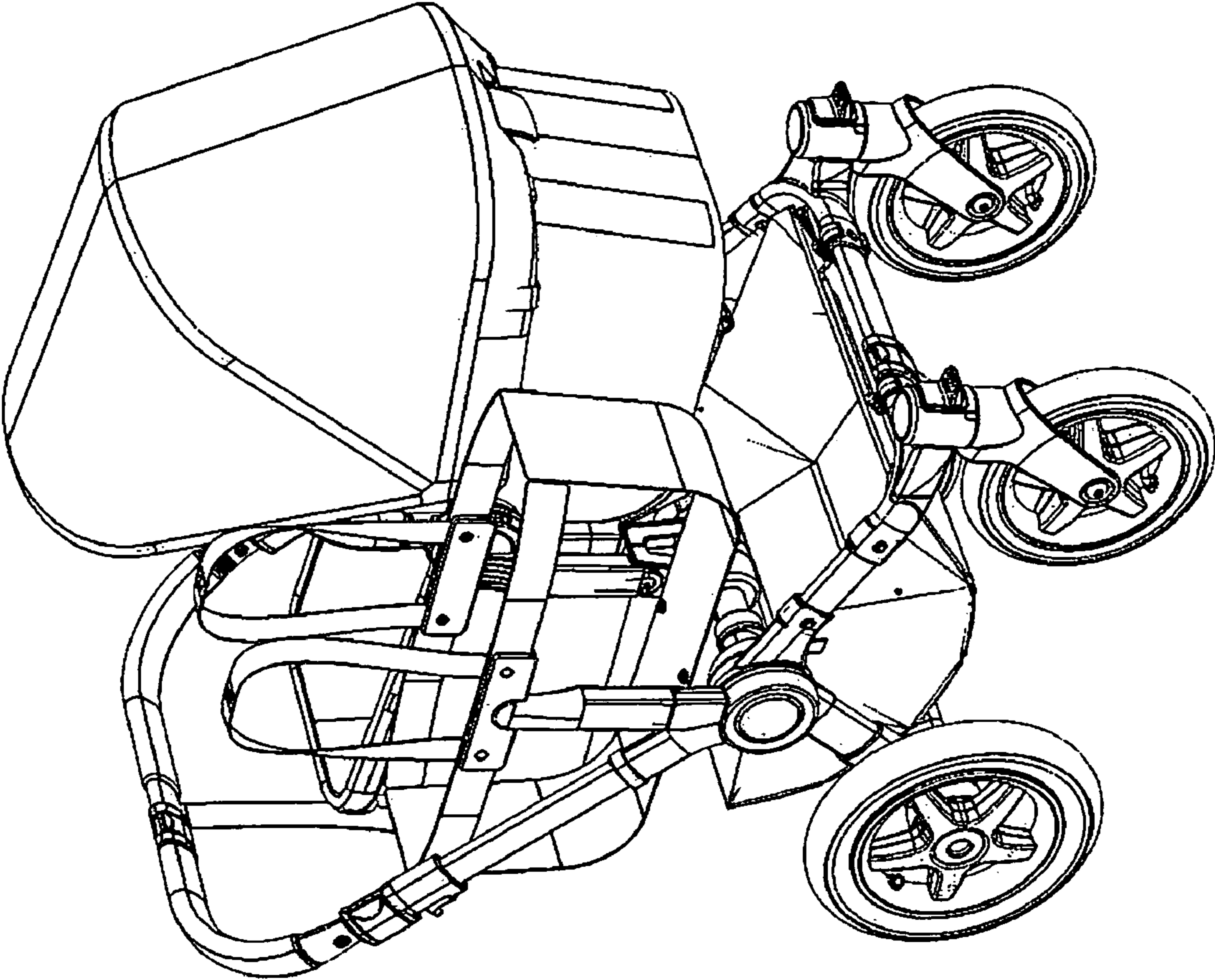


Fig. 2

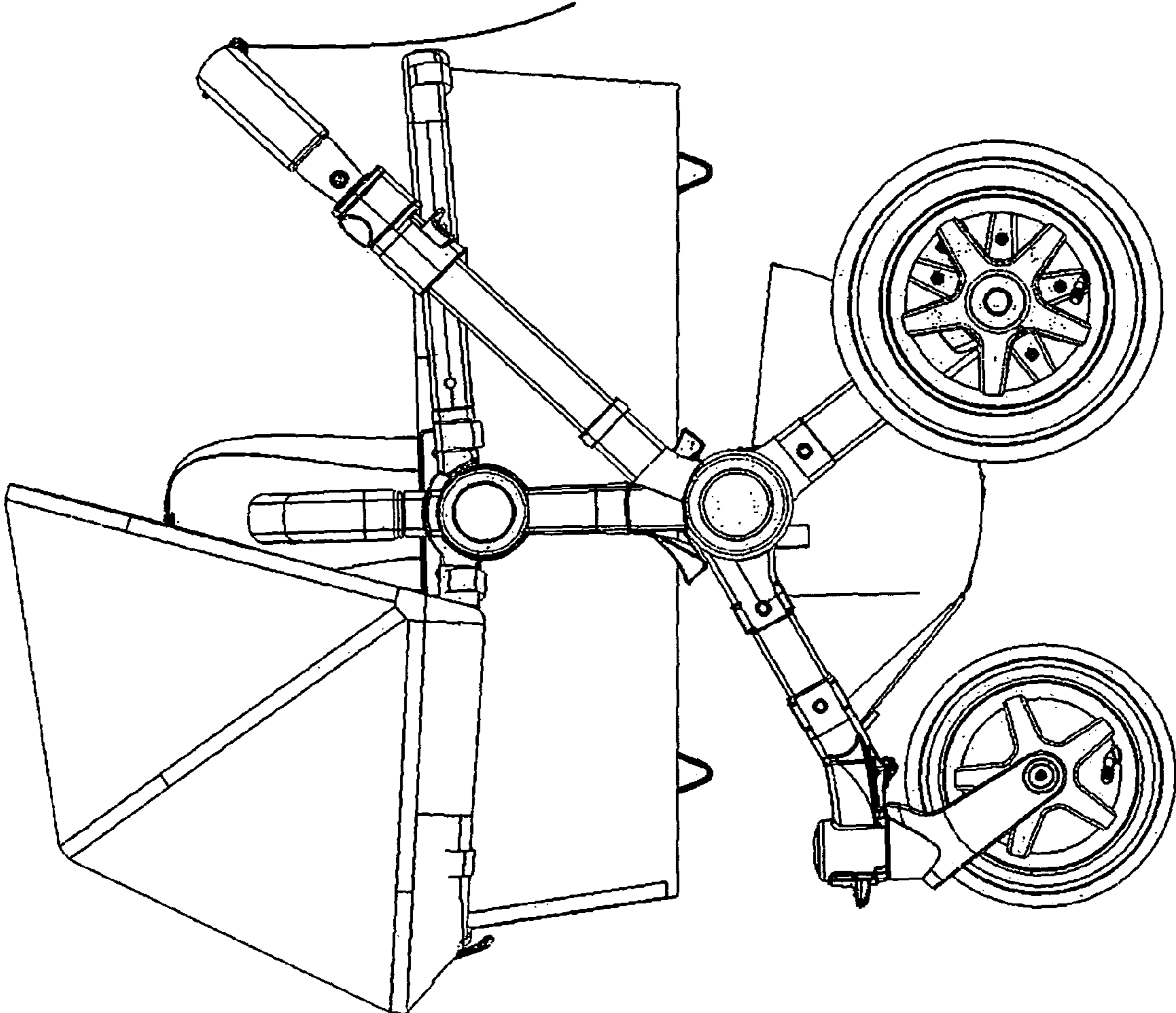


Fig. 3

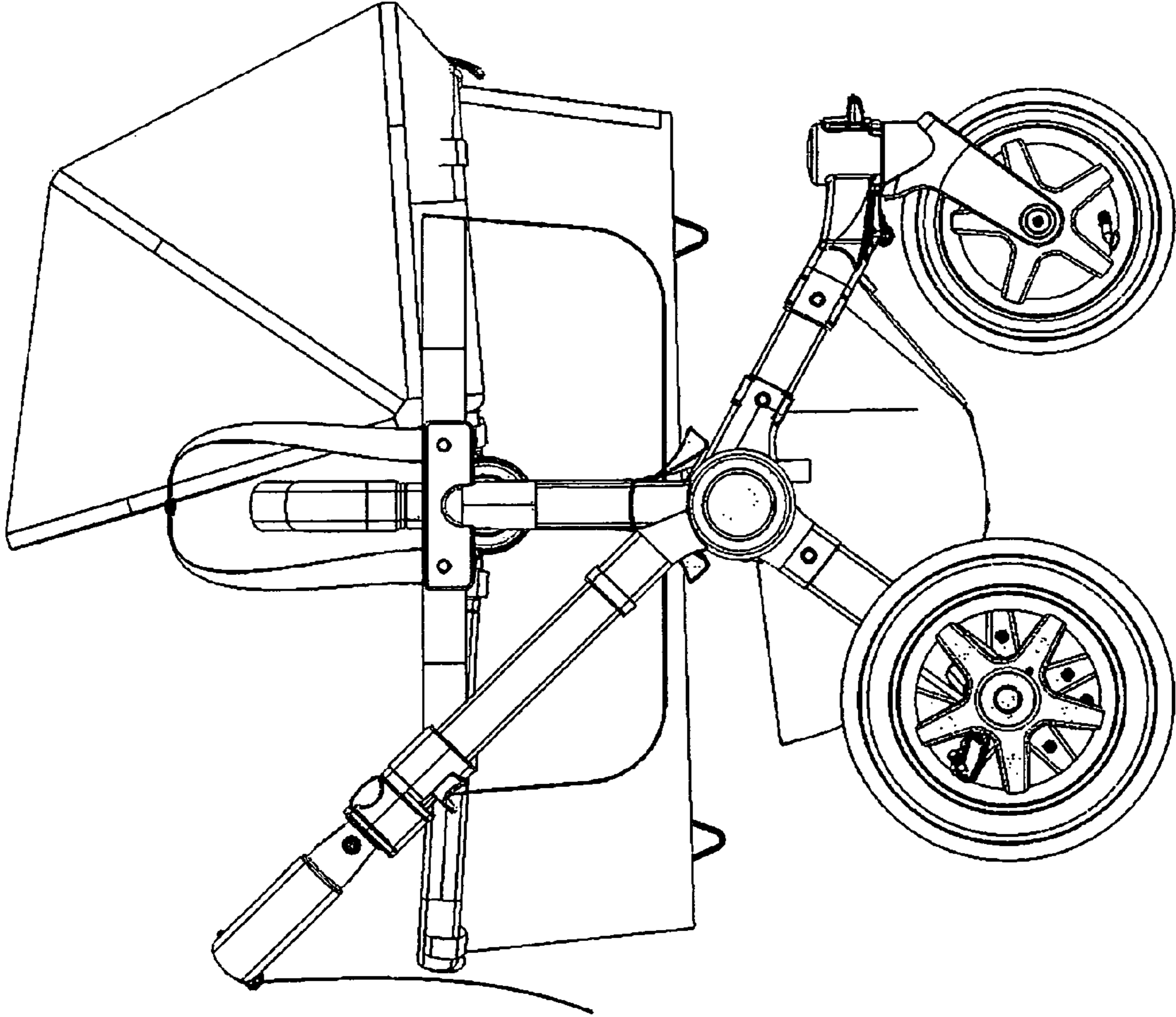


Fig. 4

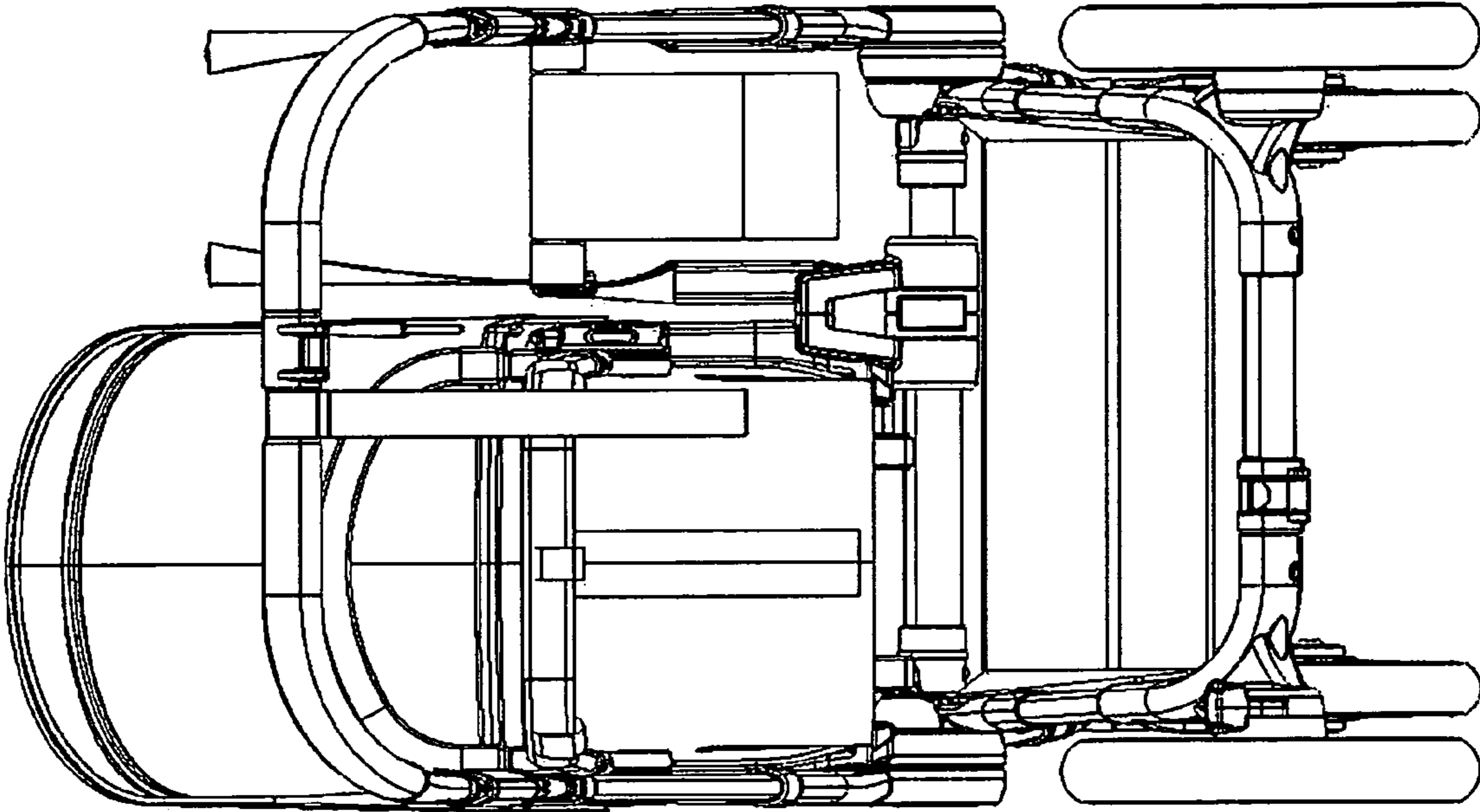


Fig. 5

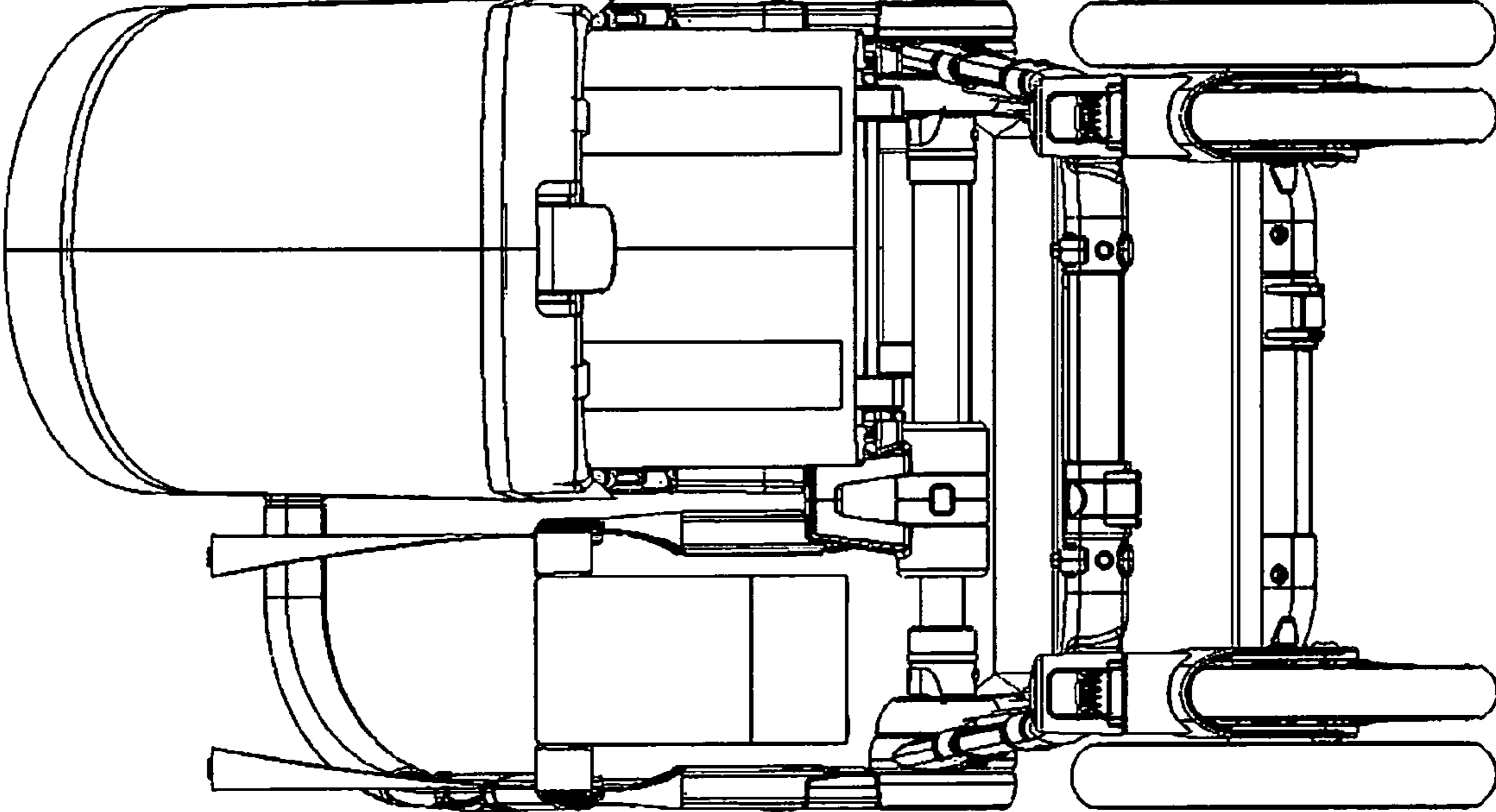


Fig. 6

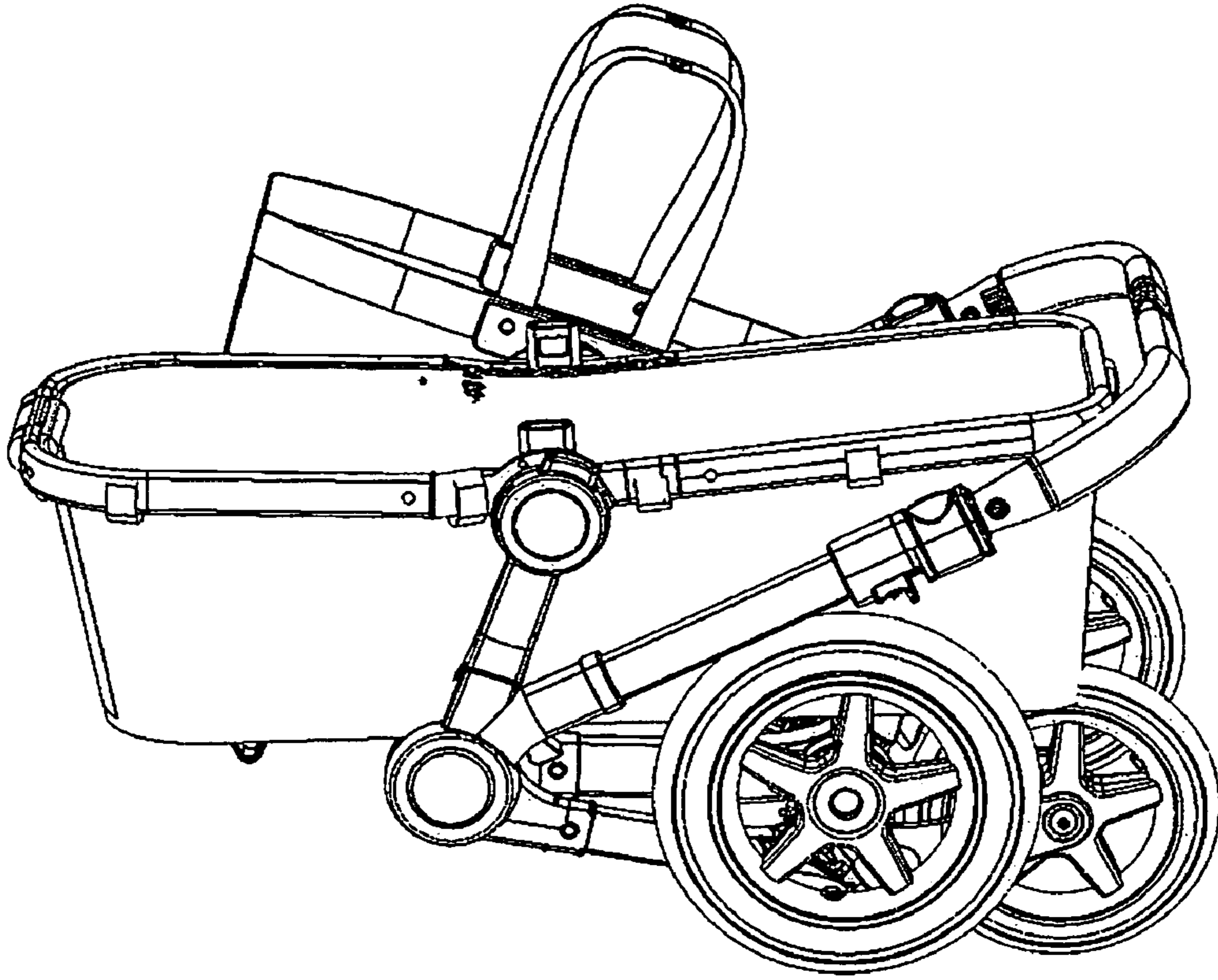


Fig. 7