



US00D643344S

(12) **United States Design Patent**
Barenbrug

(10) **Patent No.:** **US D643,344 S**

(45) **Date of Patent:** **** Aug. 16, 2011**

(54) **STROLLER**

(75) Inventor: **Max Barenbrug**, Amsterdam Zuidoost (NL)

(73) Assignee: **Royalty Bugaboo GmbH**, Zug (CH)

(**) Term: **14 Years**

(21) Appl. No.: **29/372,626**

(22) Filed: **Dec. 15, 2010**

(30) **Foreign Application Priority Data**

Aug. 13, 2010 (EM) 001229868-004

(51) **LOC (9) Cl.** **12-12**

(52) **U.S. Cl.** **D12/129**

(58) **Field of Classification Search** D12/128-133;
280/62, 647-650, 29, 200, 47.38, 250.1,
280/259, 642, 658; 297/DIG. 4; 296/65.03,
296/65.04; 224/209; 414/921; 135/65-67,
135/74; D6/360, 368

See application file for complete search history.

(56) **References Cited**

U.S. PATENT DOCUMENTS

D246,518 S * 11/1977 Maclaren D12/128
4,697,823 A * 10/1987 Kassai 280/644
D305,013 S * 12/1989 Bigo et al. D12/129
D307,879 S * 5/1990 Giambrone D12/129
D325,550 S * 4/1992 Kato et al. D12/129
5,580,072 A * 12/1996 Monneret 280/47.38
5,741,021 A * 4/1998 Saint et al. 280/47.38
D452,191 S * 12/2001 Carpenter D12/129
6,715,783 B1 * 4/2004 Hanson et al. 280/642

D566,013 S * 4/2008 Wang D12/129
D579,827 S * 11/2008 Lake D12/129
D593,459 S * 6/2009 Liao D12/129
D595,621 S * 7/2009 Ci Xiao D12/129

OTHER PUBLICATIONS

U.S. Appl. No. 29/372,625, filed Dec. 15, 2010; First named inventor: Max Barenbrug.

U.S. Appl. No. 29/372,628, filed Dec. 15, 2010; First named inventor: Max Barenbrug.

U.S. Appl. No. 29/372,627, filed Dec. 15, 2010; First named inventor: Max Barenbrug.

* cited by examiner

Primary Examiner — Ian Simmons

Assistant Examiner — Charles Hanson

(74) *Attorney, Agent, or Firm* — Fross Zelnick Lehrman & Zissu, P.C.; Charles T. J. Weigell, Esq

(57) **CLAIM**

The ornamental design for a stroller, as shown and described.

DESCRIPTION

FIG. 1 is a front perspective view of a stroller showing my new design;

FIG. 2 is a rear perspective view of the stroller shown in FIG. 1;

FIG. 3 is a left side view of the stroller shown in FIG. 1;

FIG. 4 is a right side view of the stroller shown in FIG. 1;

FIG. 5 is a right side view of the stroller shown in FIG. 1, with the chair shown in a tilted position;

FIG. 6 is a front view of the stroller shown in FIG. 1; and,

FIG. 7 is a rear side view of the stroller shown in FIG. 1.

1 Claim, 7 Drawing Sheets



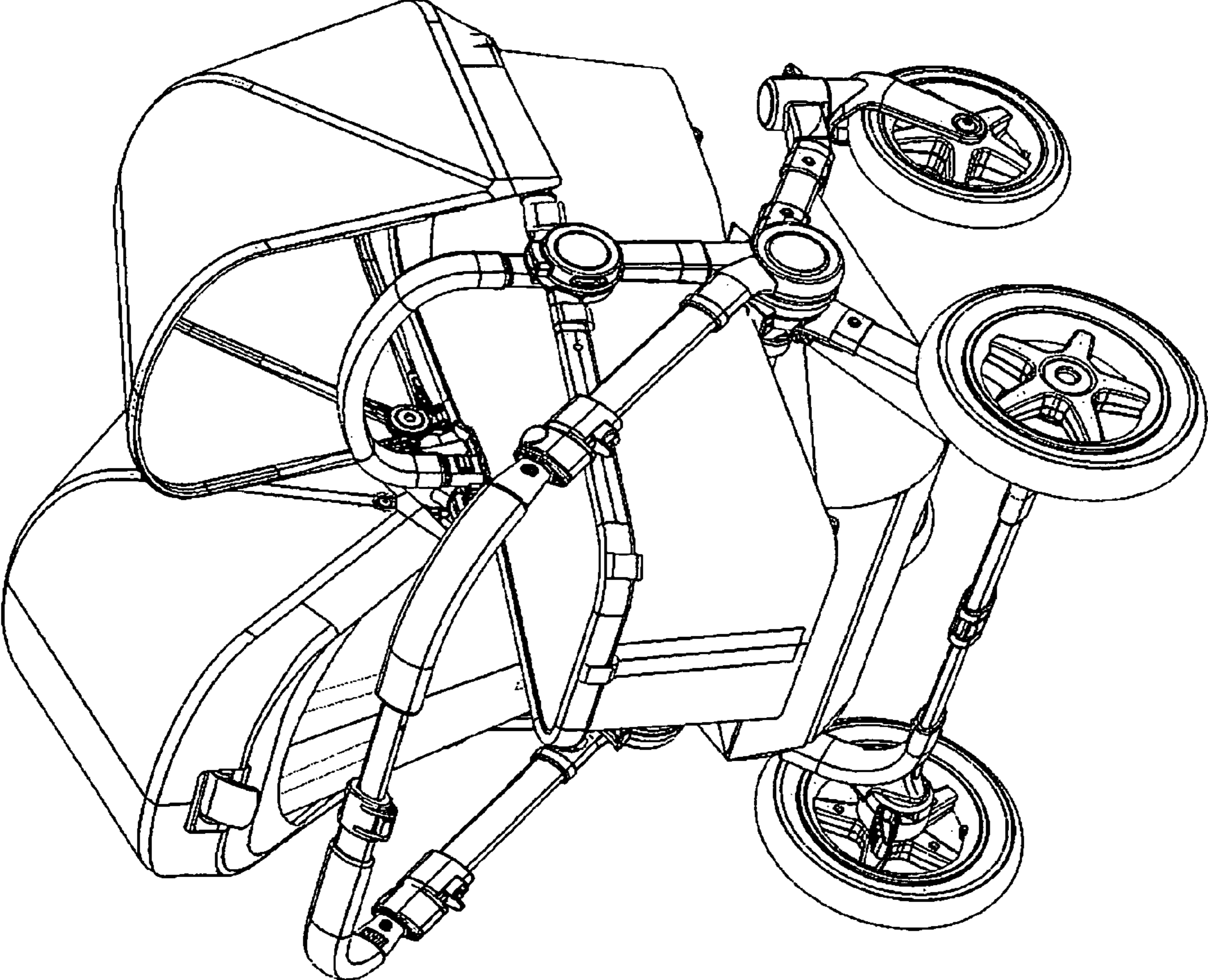


Fig. 1

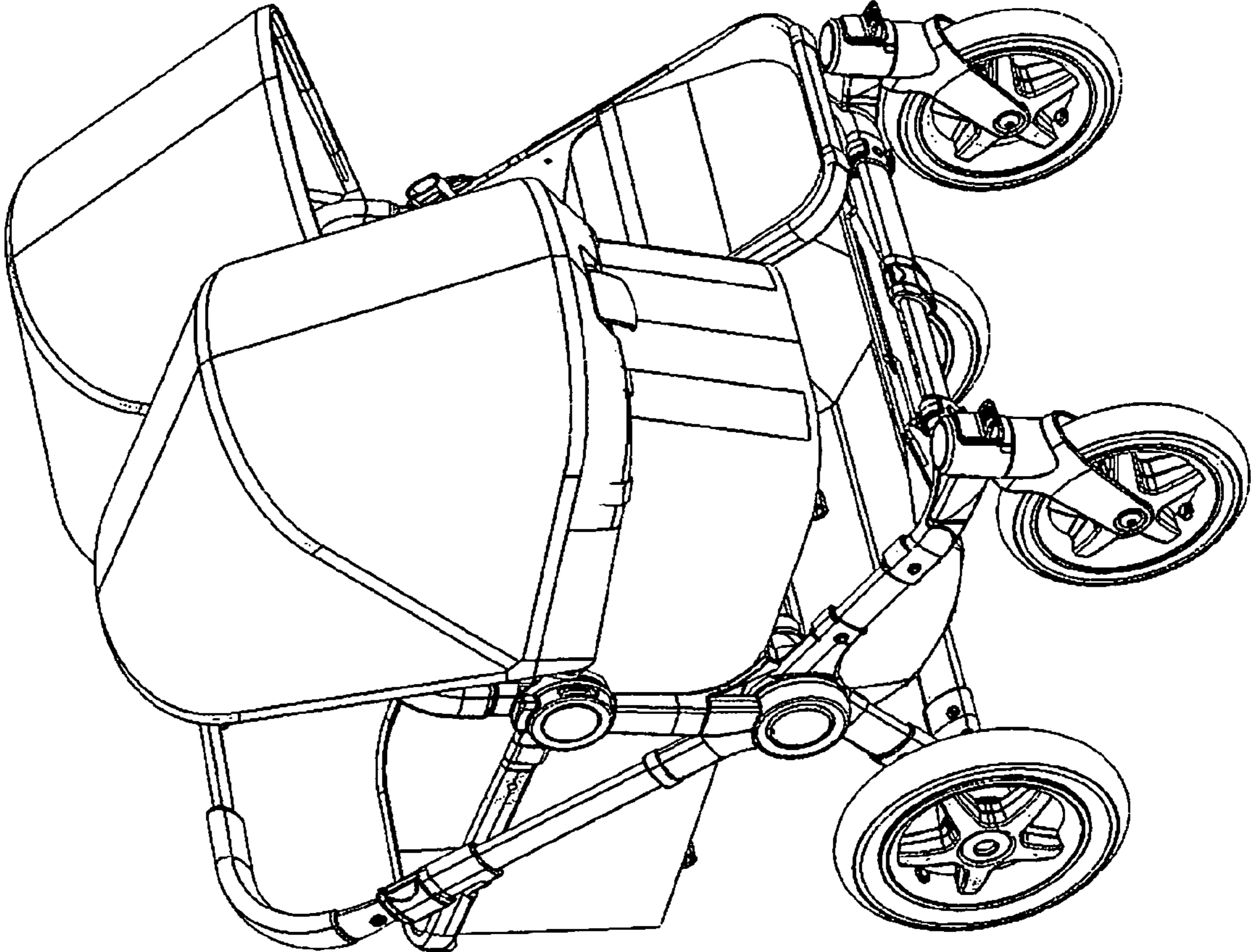


Fig. 2

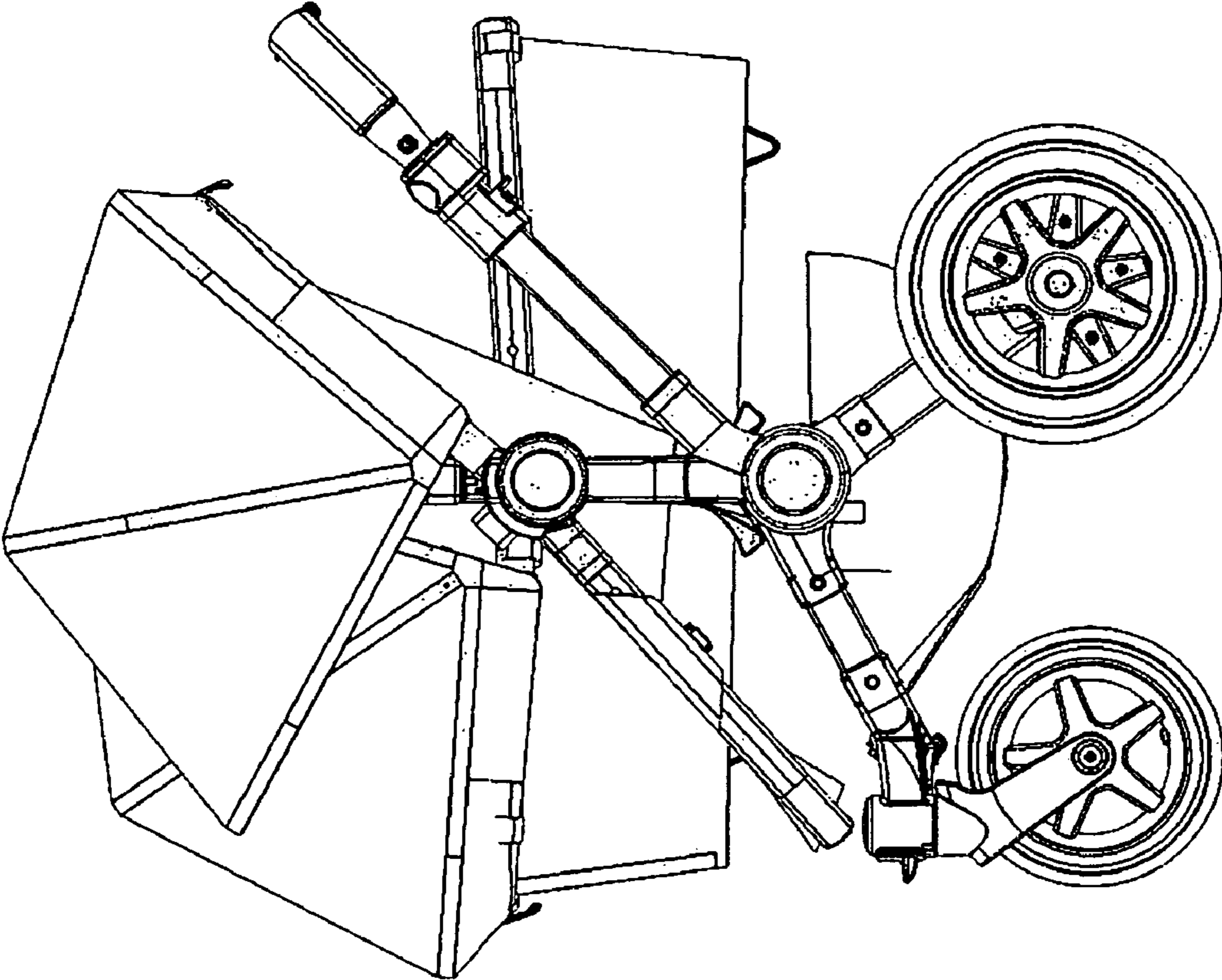


Fig. 3

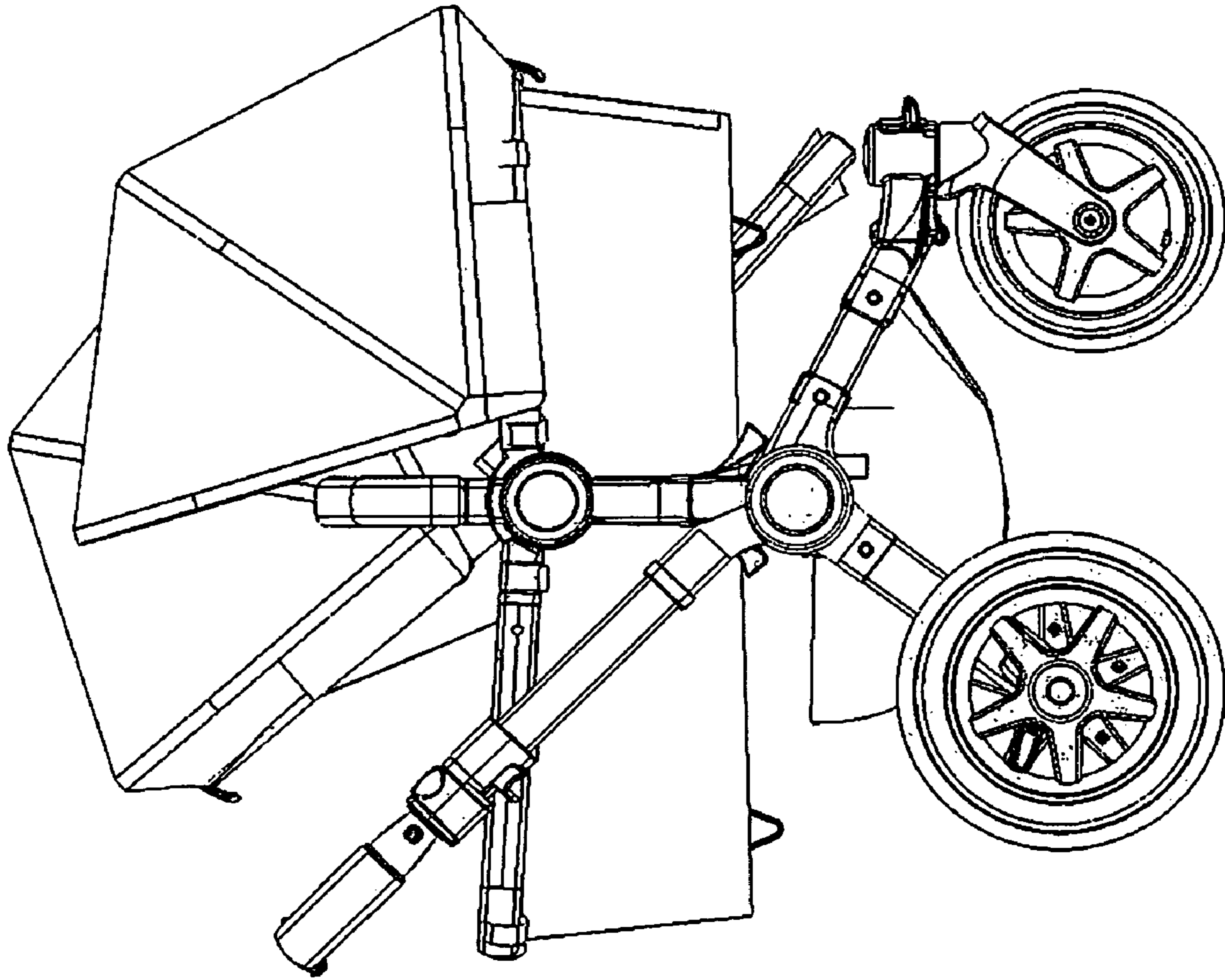


Fig. 4

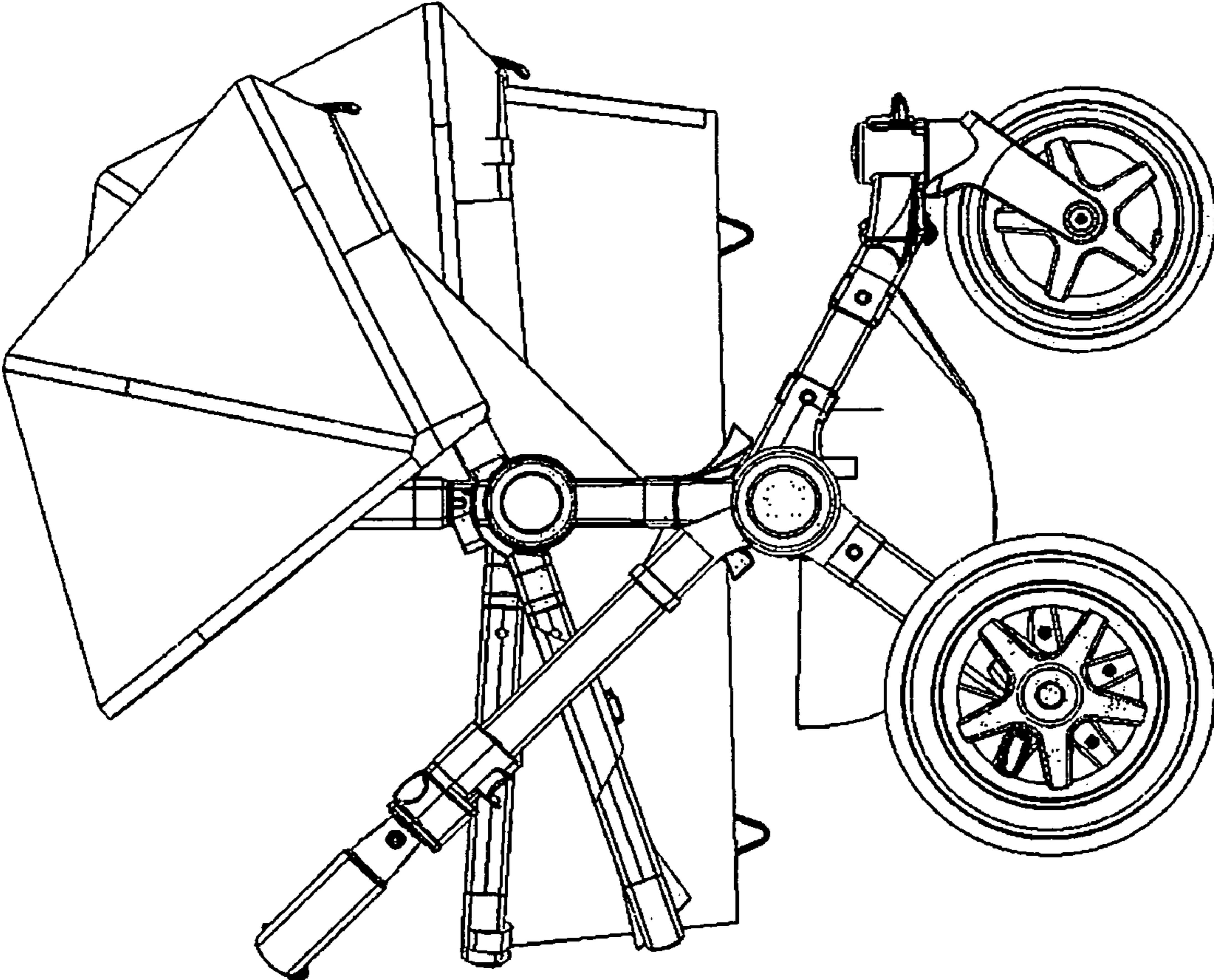


Fig. 5

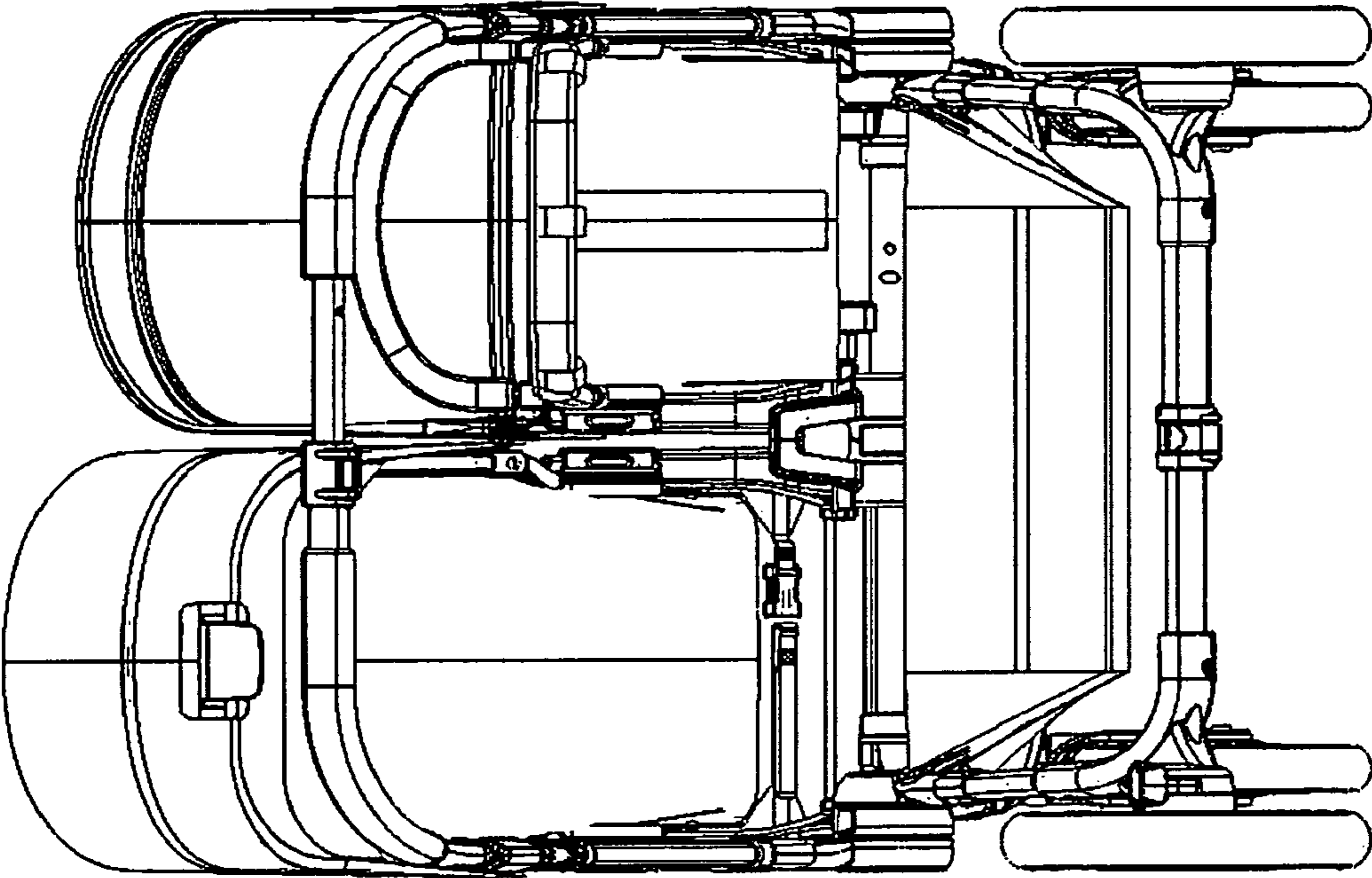


Fig. 6

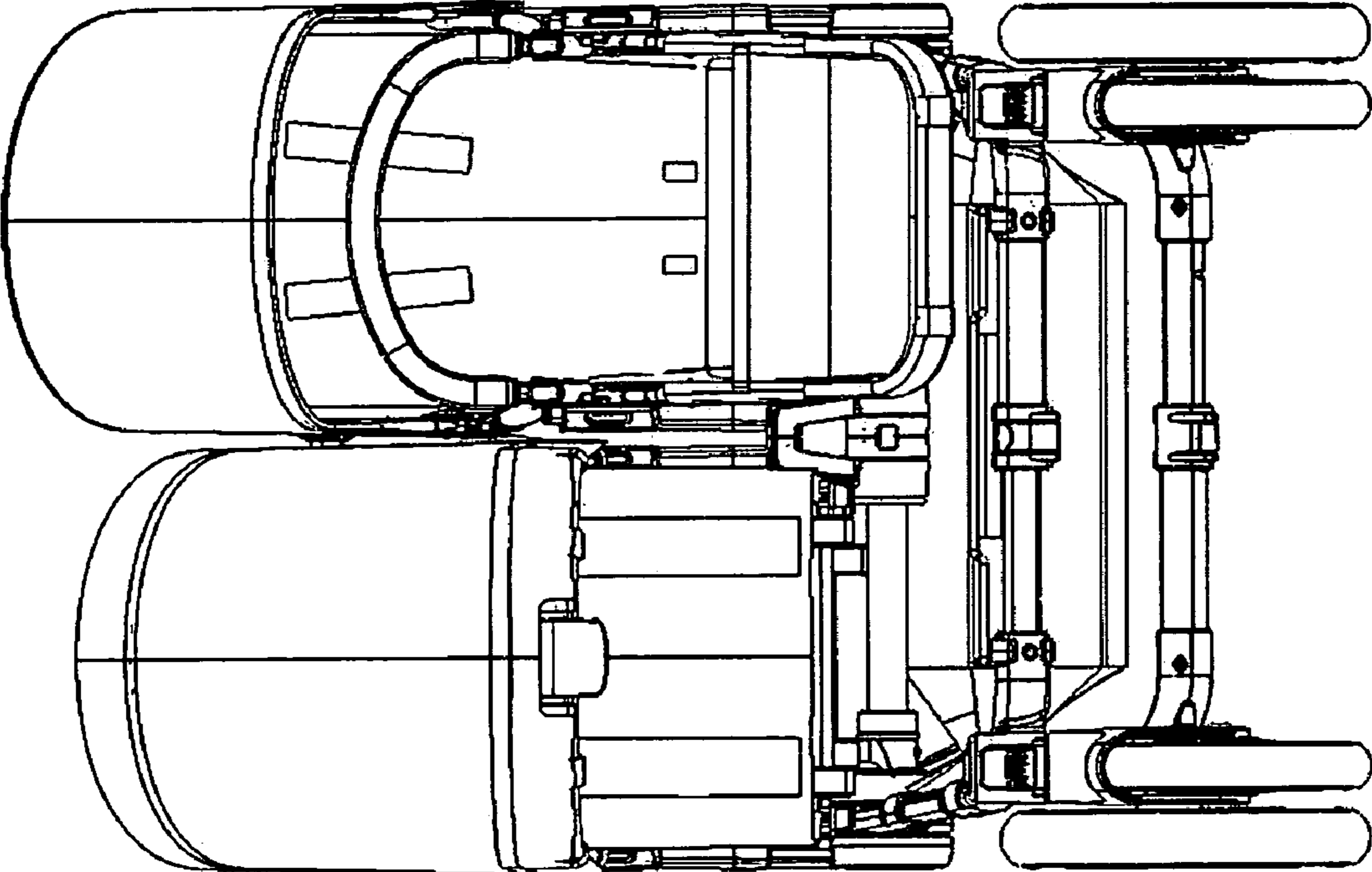


Fig. 7