



US00D643343S

(12) **United States Design Patent**  
**Song**

(10) **Patent No.:** **US D643,343 S**

(45) **Date of Patent:** **\*\* Aug. 16, 2011**

(54) **STROLLER**

(75) Inventor: **Zhenghuan Song**, Jiangsu (CN)

(73) Assignee: **Goodbaby Child Products Co., Ltd.**,  
Jiangsu (CN)

(\*\*) Term: **14 Years**

(21) Appl. No.: **29/369,345**

(22) Filed: **Sep. 7, 2010**

(30) **Foreign Application Priority Data**

Jun. 17, 2010 (CN) ..... 2010 3 0205233

(51) **LOC (9) Cl.** ..... **12-12**

(52) **U.S. Cl.** ..... **D12/129**

(58) **Field of Classification Search** ..... D12/128-133;  
280/62, 647-650, 29, 200, 47.38, 250.1,  
280/259, 642, 658; 297/DIG. 4; 296/65.03,  
296/65.04; 224/209; 414/921; 135/65-67,  
135/74; D6/360, 368

See application file for complete search history.

(56) **References Cited**

**U.S. PATENT DOCUMENTS**

7,267,359 B1 \* 9/2007 Yang et al. .... 280/642  
D566,013 S \* 4/2008 Wang ..... D12/129  
7,364,171 B2 \* 4/2008 Hu ..... 280/47.38  
7,377,537 B2 \* 5/2008 Li ..... 280/650

D572,175 S \* 7/2008 Lai ..... D12/129  
D578,044 S \* 10/2008 Chen et al. .... D12/129  
D616,339 S \* 5/2010 Kho et al. .... D12/129  
D621,306 S \* 8/2010 Liao ..... D12/129  
D623,096 S \* 9/2010 Gower et al. .... D12/129  
D631,401 S \* 1/2011 Bagwell et al. .... D12/129

\* cited by examiner

*Primary Examiner* — Ian Simmons

*Assistant Examiner* — Charles Hanson

(74) *Attorney, Agent, or Firm* — Venable LLP; Robert  
Kinberg; Leigh D. Thelen

(57) **CLAIM**

The ornamental design for stroller, as shown and described.

**DESCRIPTION**

FIG. 1 is a right side view of a stroller according to the present invention;

FIG. 2 is a left side view of the stroller of FIG. 1 according to the present invention;

FIG. 3 is a front view of the stroller of FIG. 1 according to the present invention;

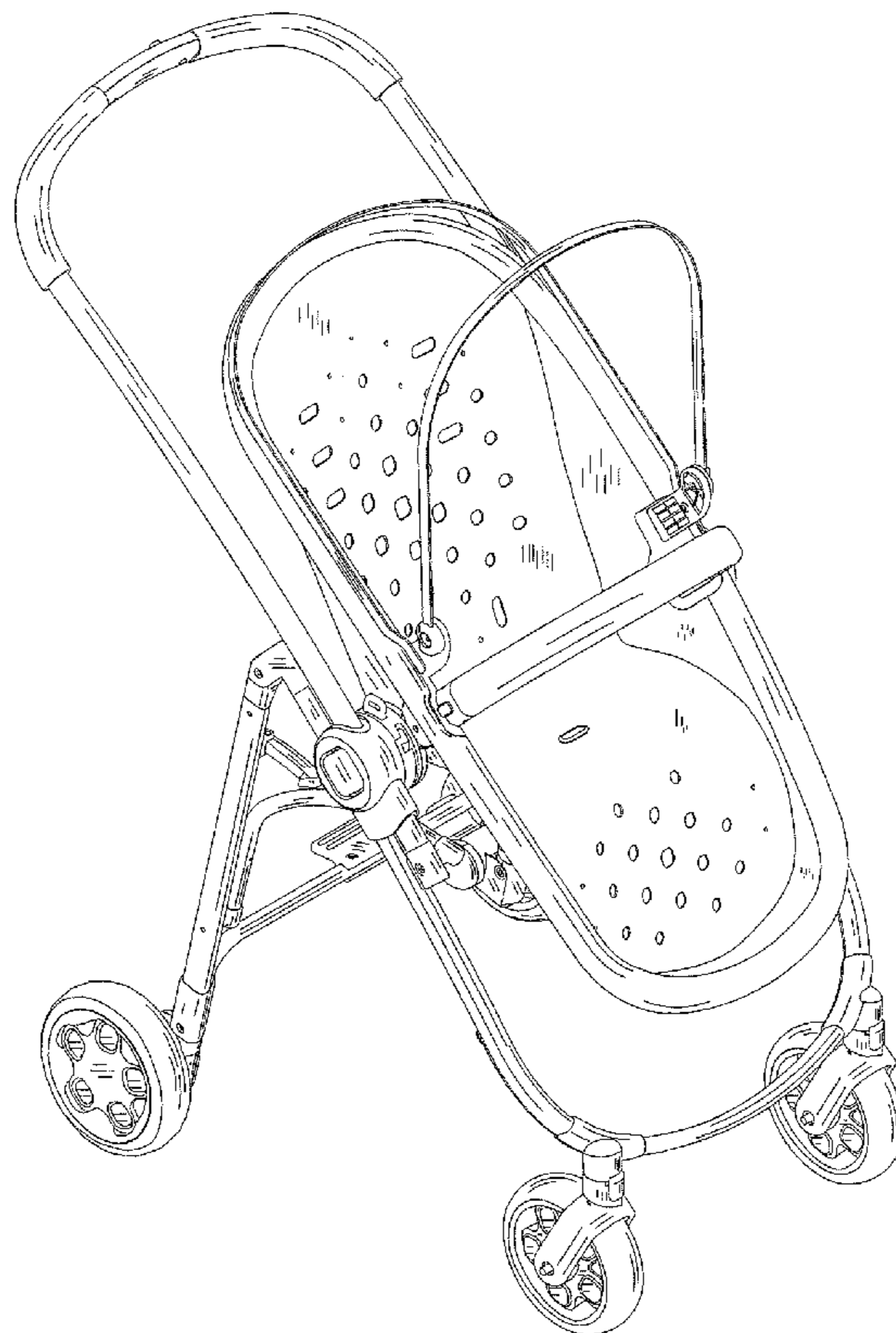
FIG. 4 is a rear view of the stroller of FIG. 1 according to the present invention;

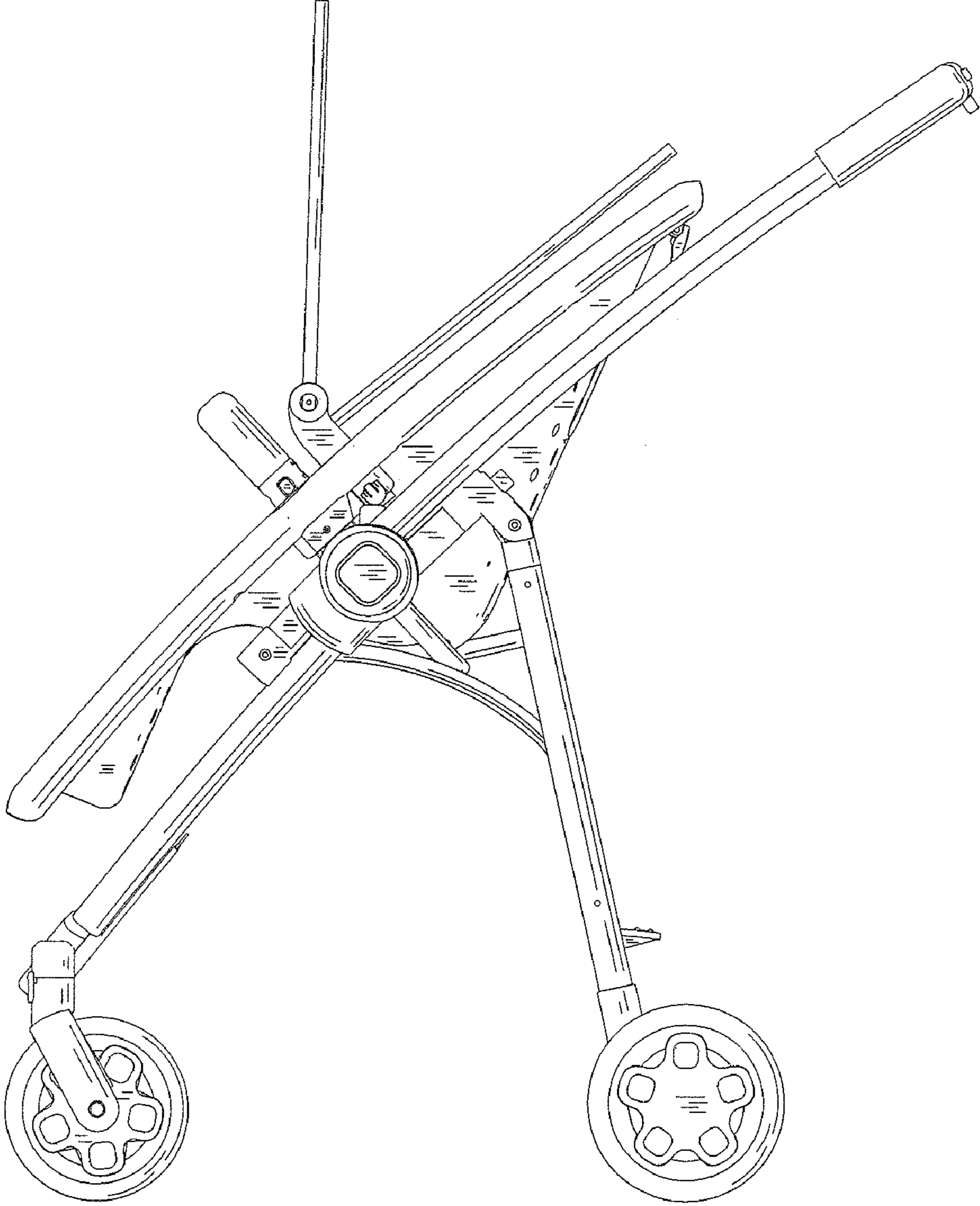
FIG. 5 is a top plan view of the stroller of FIG. 1 according to the present invention;

FIG. 6 is bottom plan view of the stroller of FIG. 1 according to the present invention; and,

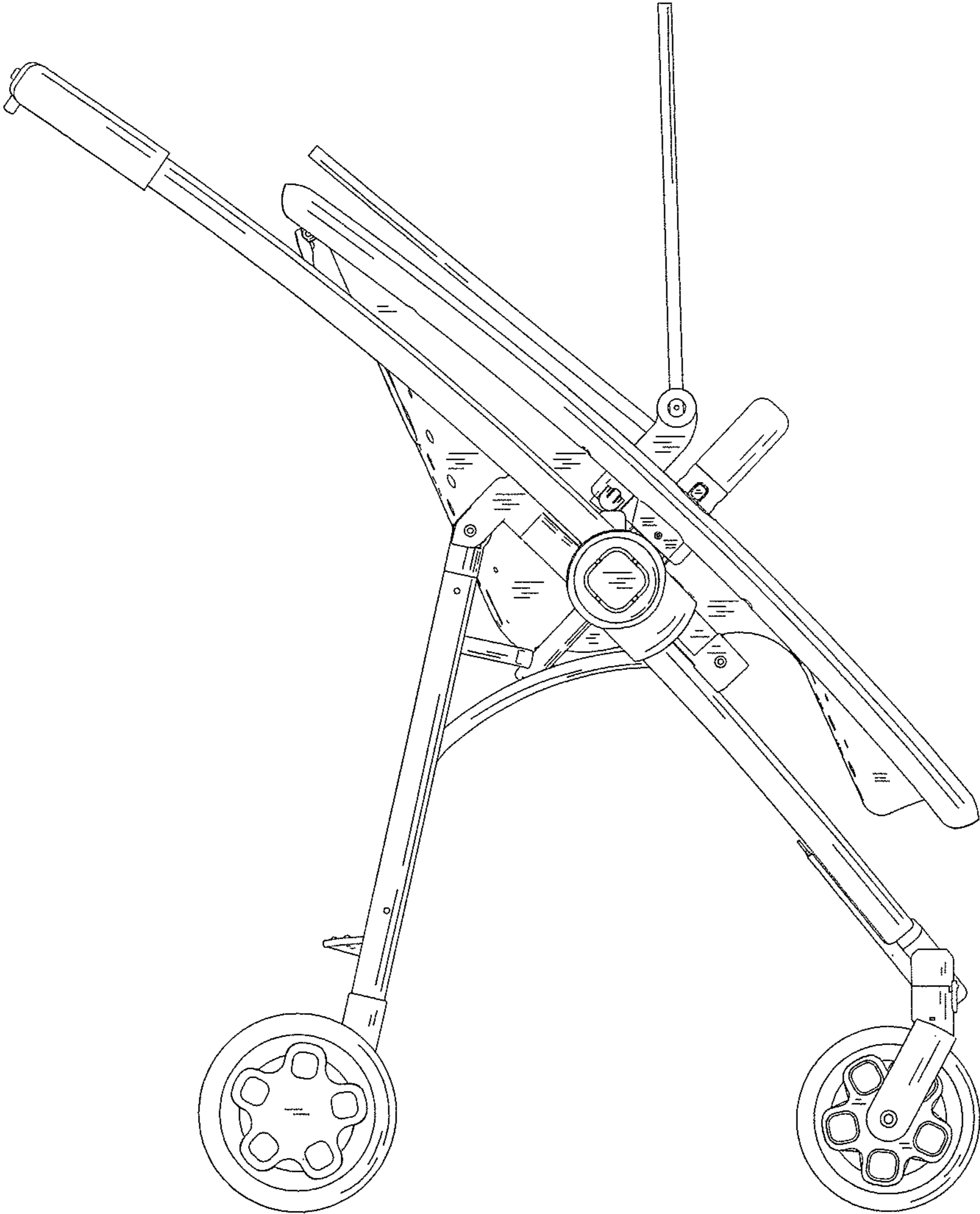
FIG. 7 is a left side perspective view of the stroller of FIG. 1 according to the present invention.

**1 Claim, 7 Drawing Sheets**

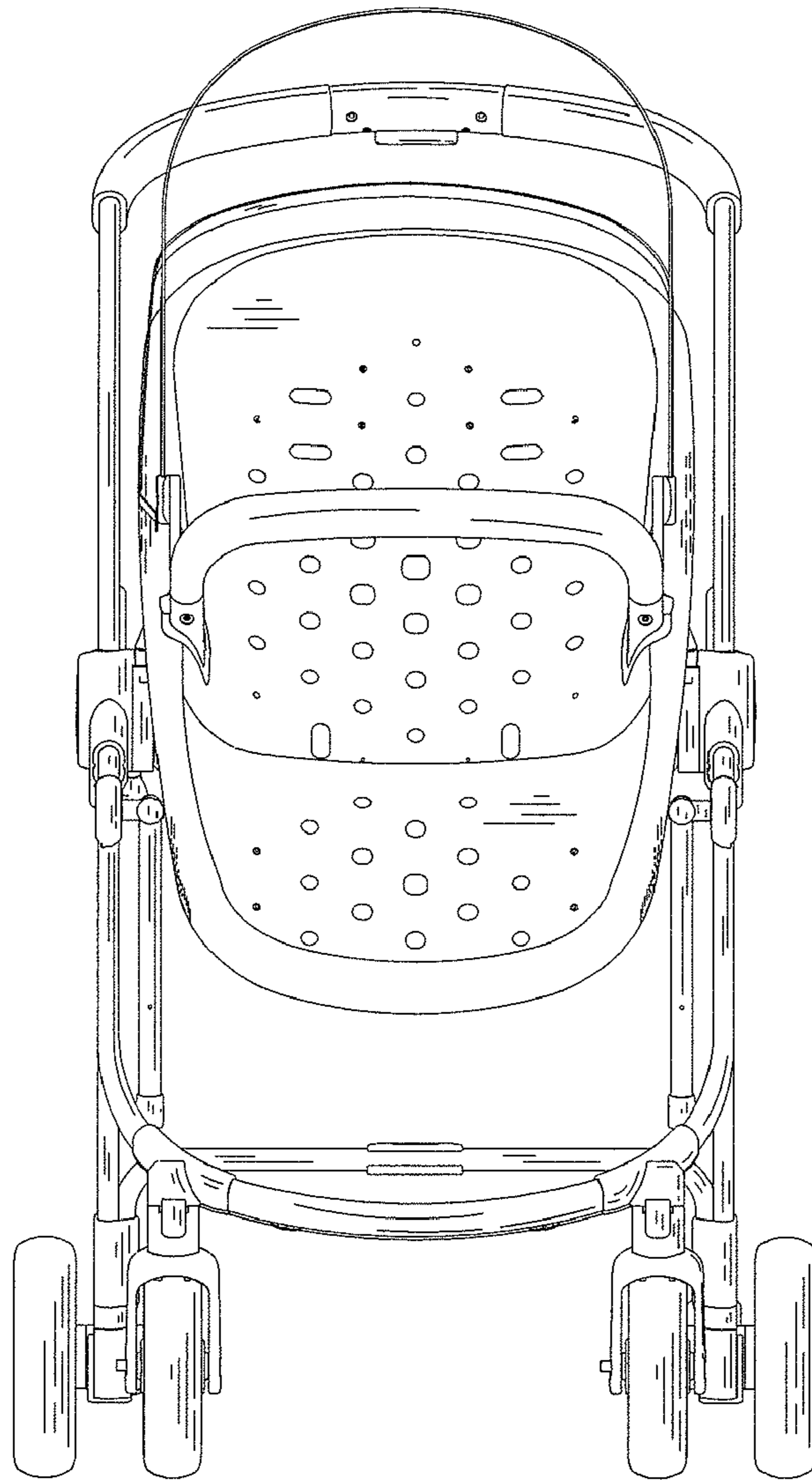




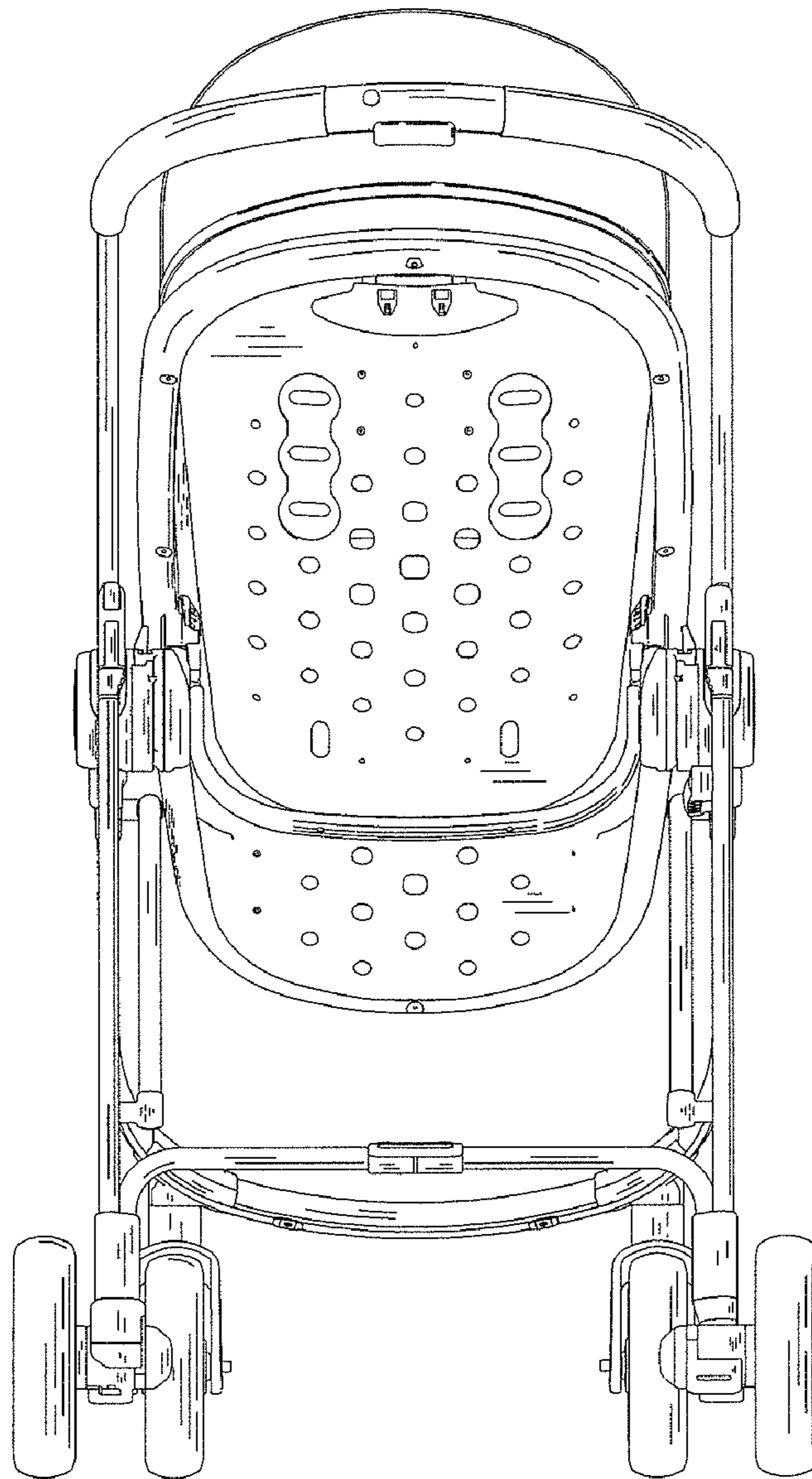
*Fig. 1*



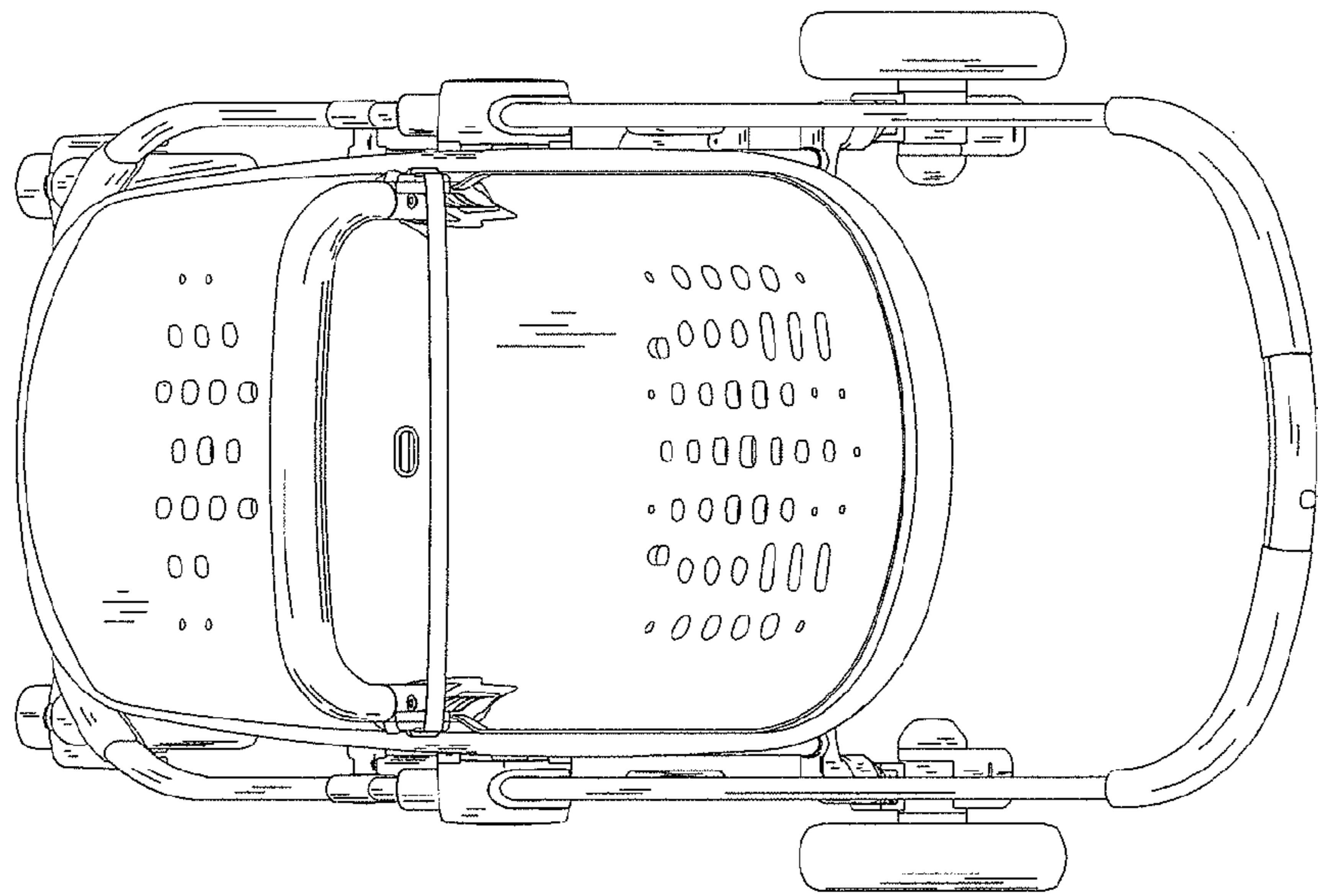
**Fig. 2**



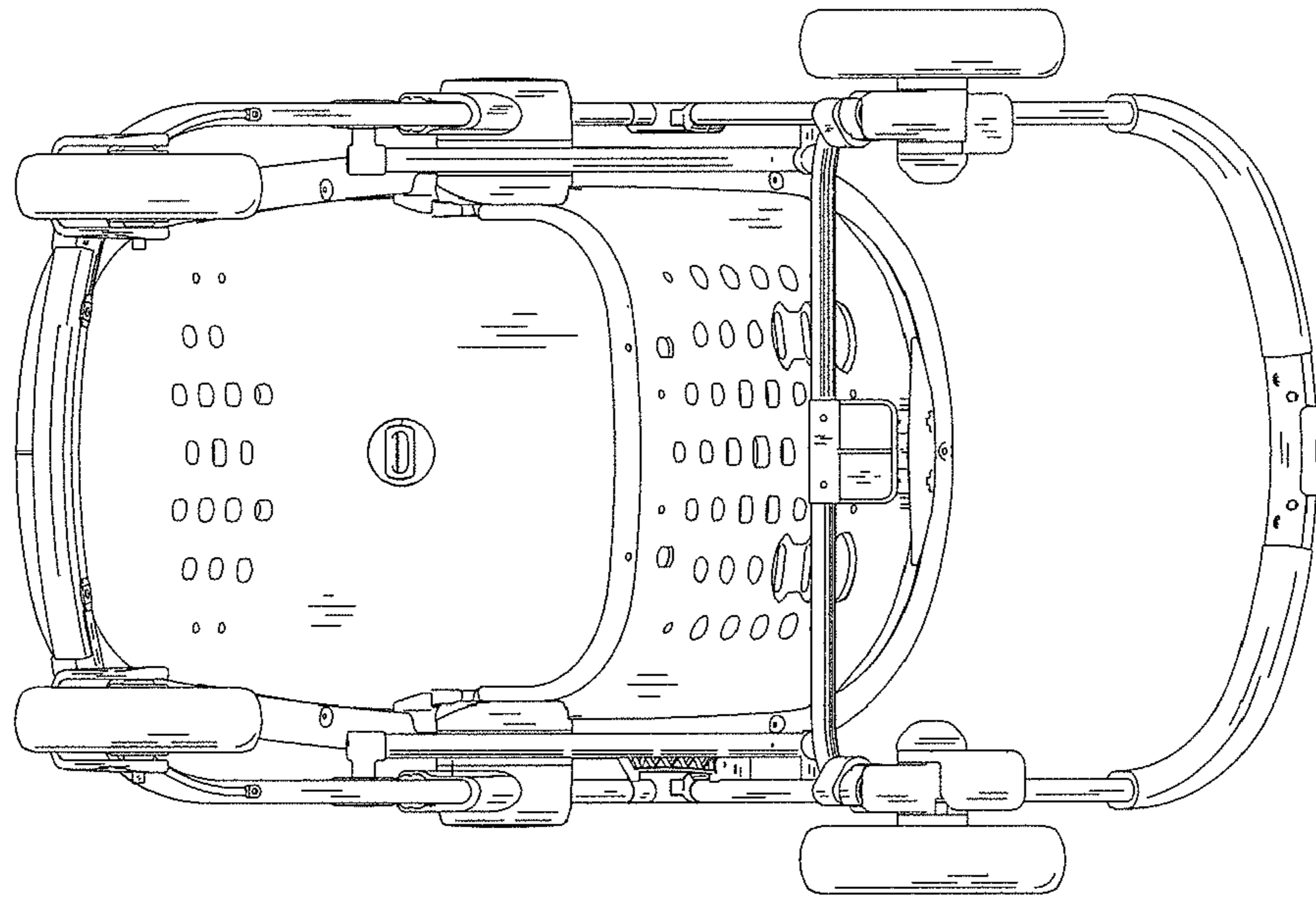
***Fig. 3***



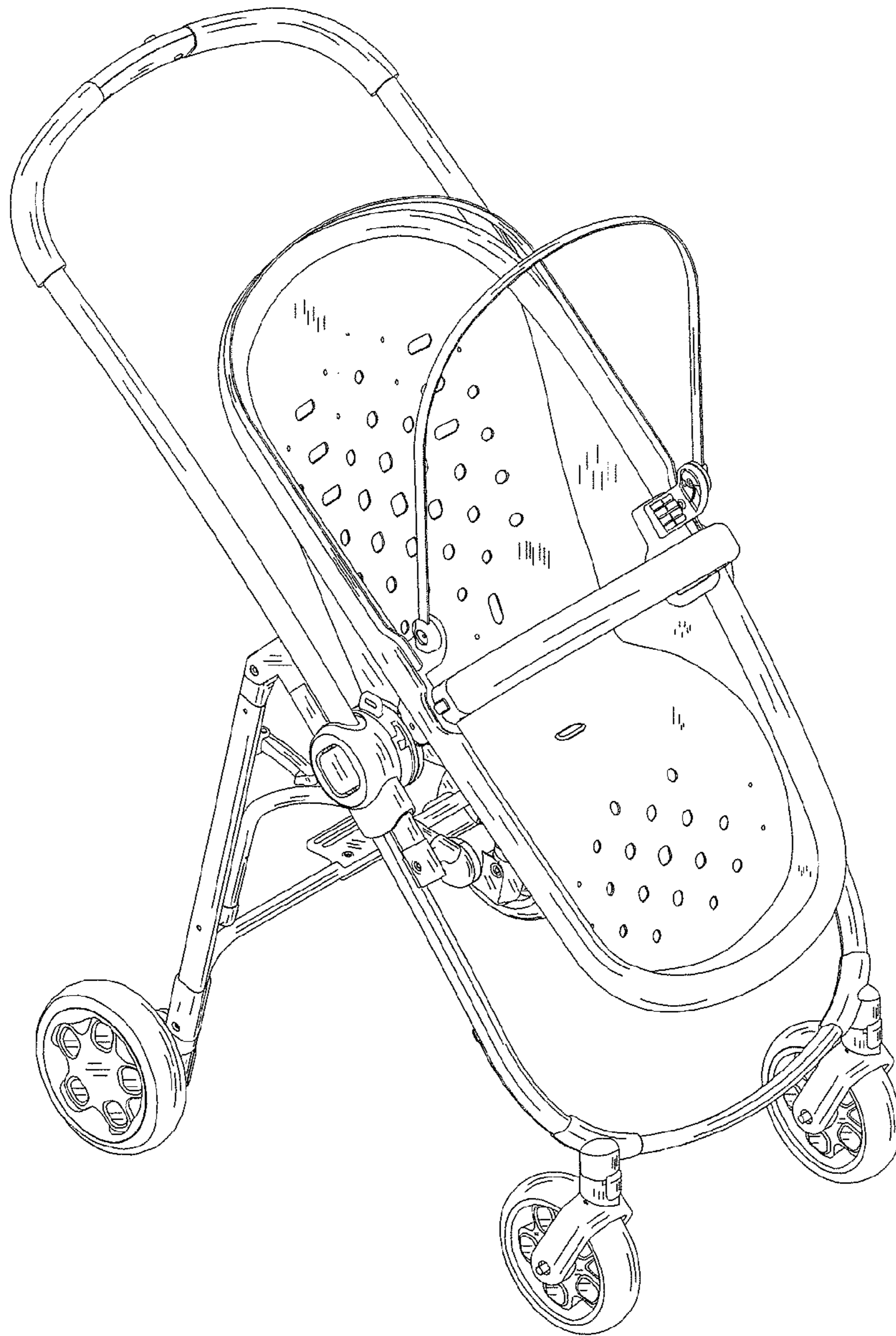
**Fig. 4**



*Fig. 5*



**Fig. 6**



**Fig. 7**