



US00D643340S

(12) **United States Design Patent**  
**Pottieri**

(10) **Patent No.:** **US D643,340 S**

(45) **Date of Patent:** **\*\* Aug. 16, 2011**

(54) **VEHICLE**

(75) Inventor: **Bruno Pottieri**, Cologne (IT)

(73) Assignee: **Blu Car—S.R.L.**, Orzinuovi (IT)

(\*\*) Term: **14 Years**

(21) Appl. No.: **29/347,596**

(22) Filed: **Mar. 11, 2010**

(30) **Foreign Application Priority Data**

Sep. 18, 2009 (EM) ..... 001165484

(51) **LOC (9) Cl.** ..... **12-08**

(52) **U.S. Cl.** ..... **D12/98**

(58) **Field of Classification Search** ..... D12/86,  
D12/90-93, 98; 296/181.1, 181.5, 183.1,  
296/37.6

See application file for complete search history.

(56) **References Cited**

**U.S. PATENT DOCUMENTS**

D396,666 S \* 8/1998 Allen ..... D12/98  
D456,311 S \* 4/2002 Yamamoto et al. .... D12/86

D461,433 S \* 8/2002 James et al. .... D12/98  
D508,441 S \* 8/2005 Moushegian et al. .... D12/98  
D511,999 S \* 11/2005 Gunby ..... D12/86  
D555,043 S \* 11/2007 Starr ..... D12/98  
D605,980 S \* 12/2009 Imbert ..... D12/91  
D614,999 S \* 5/2010 Schneider ..... D12/93  
D620,393 S \* 7/2010 Arnell ..... D12/86

\* cited by examiner

*Primary Examiner* — Melody N Brown

(74) *Attorney, Agent, or Firm* — Modiano & Associati;  
Albert Josif; Daniel J. O'Byrne

(57) **CLAIM**

The ornamental design for a vehicle, as shown and described.

**DESCRIPTION**

FIG. 1 is a perspective view of a vehicle showing my new design;

FIG. 2 is a front view thereof;

FIG. 3 is a rear view thereof;

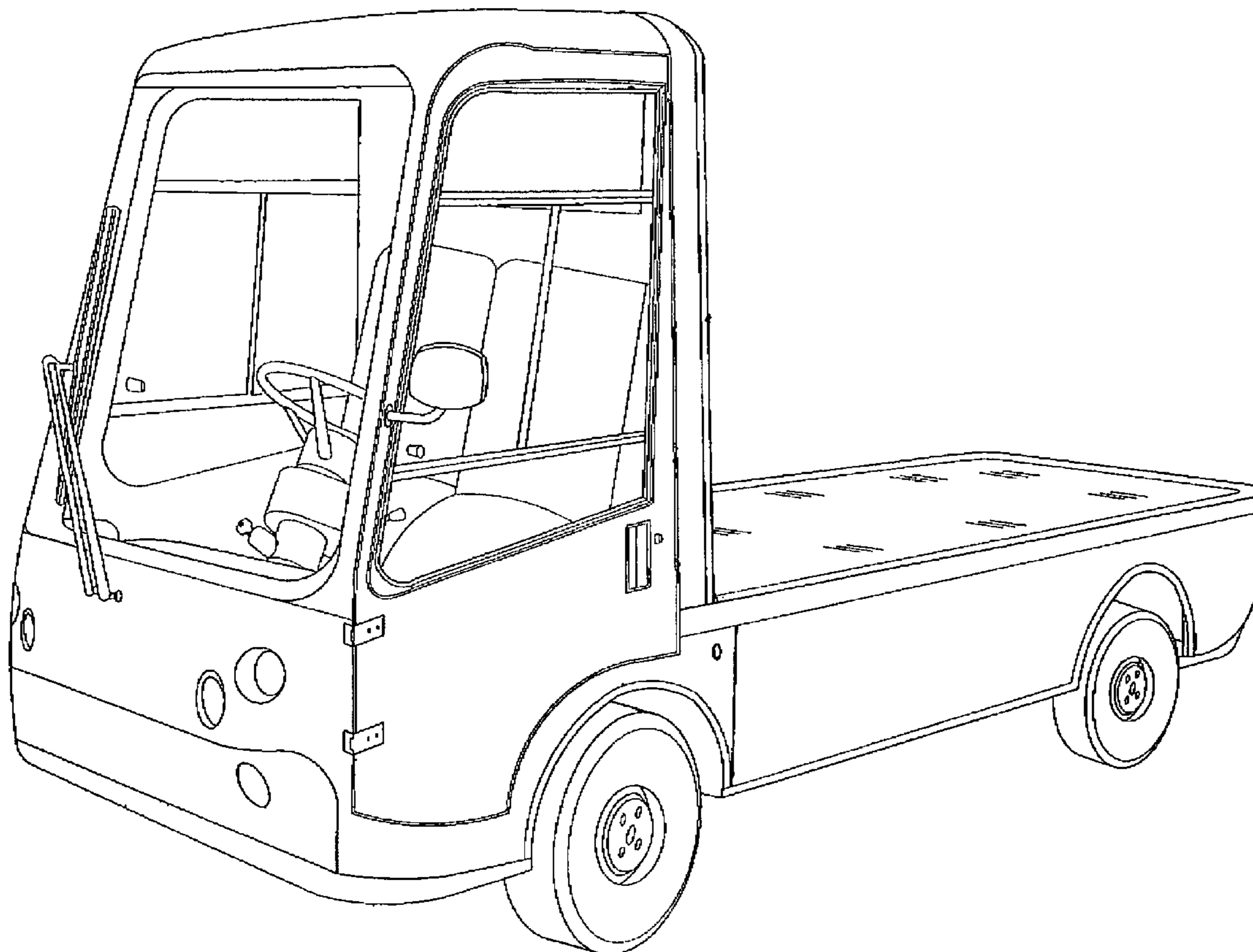
FIG. 4 is a left side view thereof;

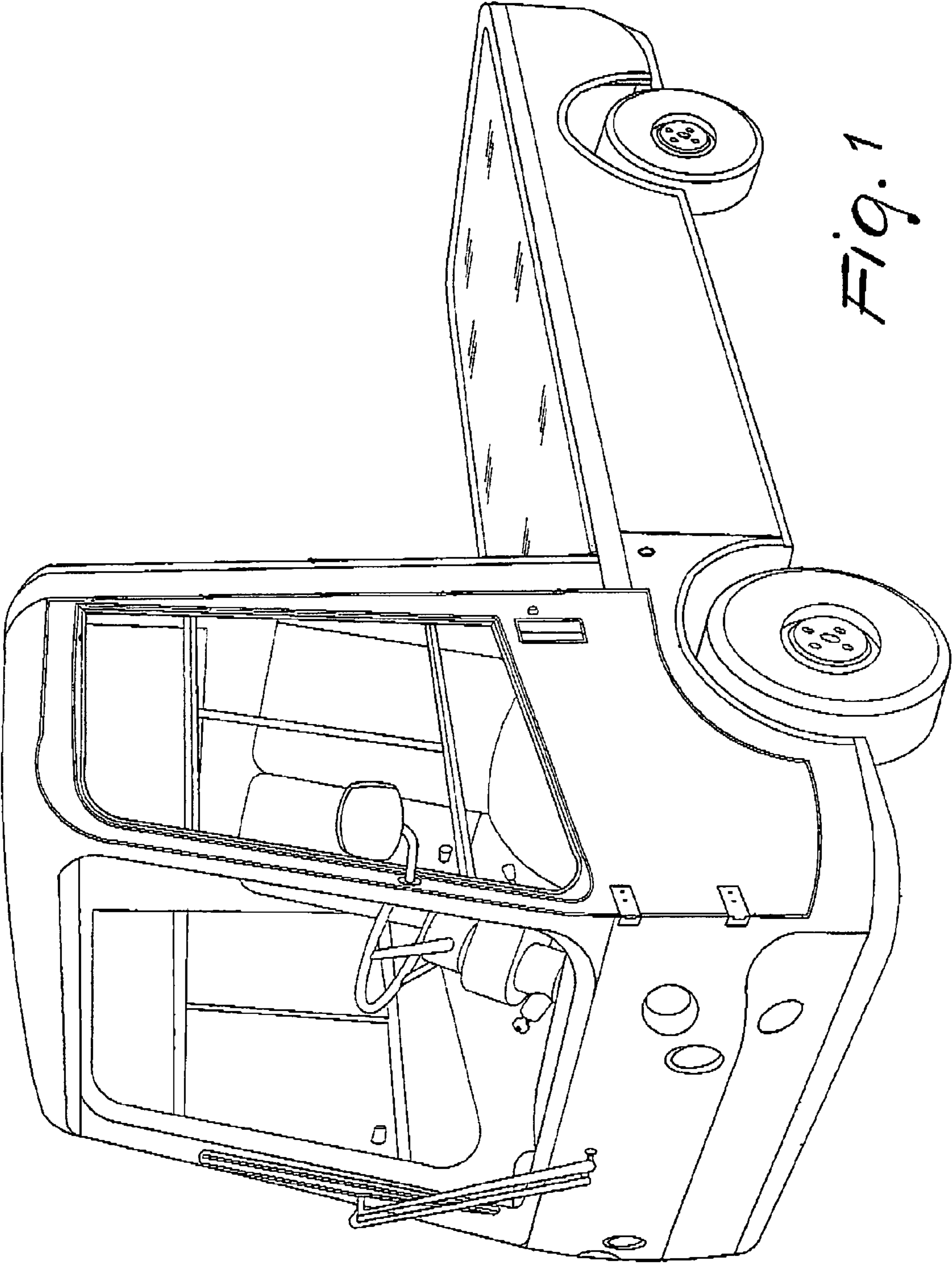
FIG. 5 is a right side view thereof;

FIG. 6 is a top view thereof; and,

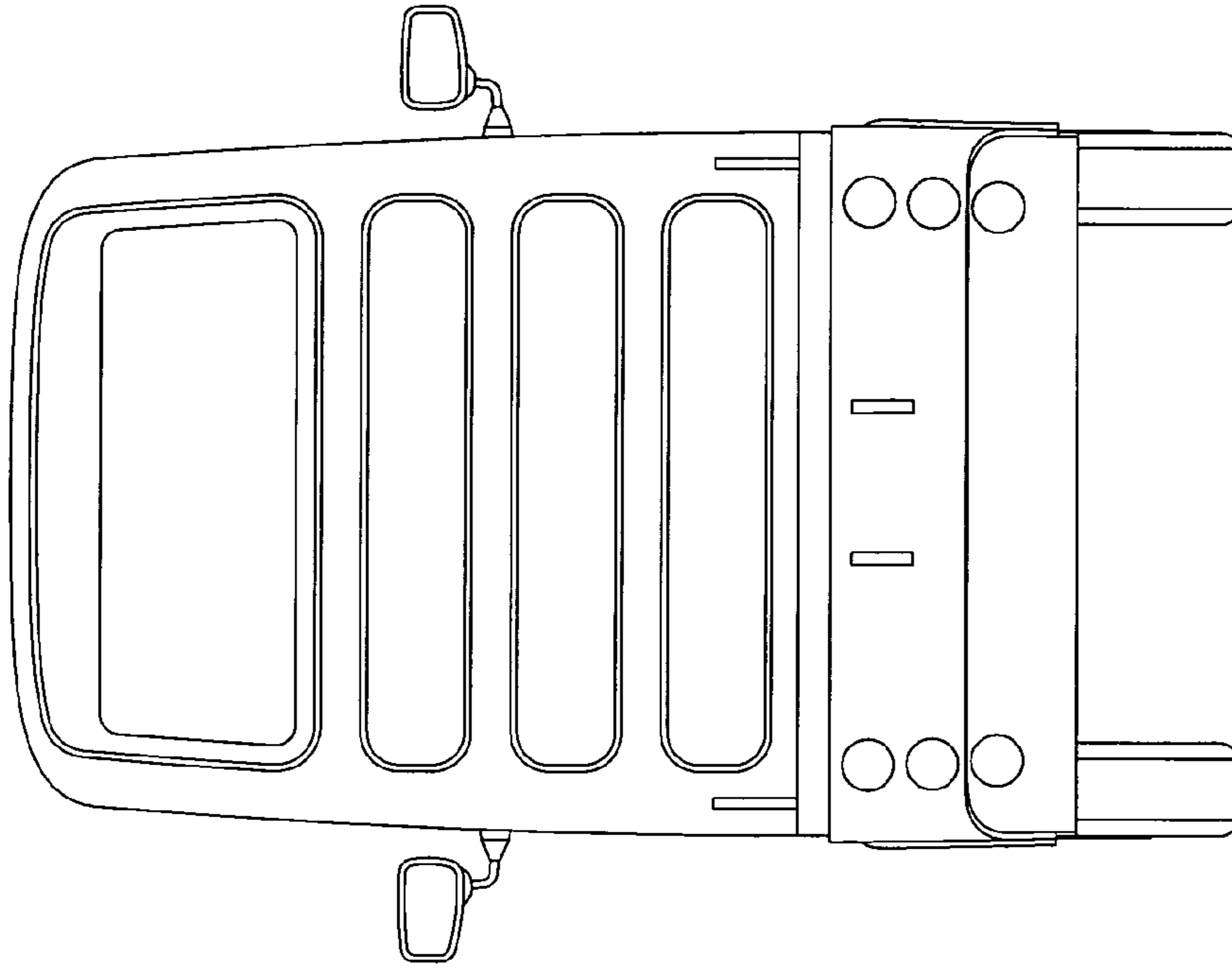
FIG. 7 is a bottom view thereof.

**1 Claim, 6 Drawing Sheets**

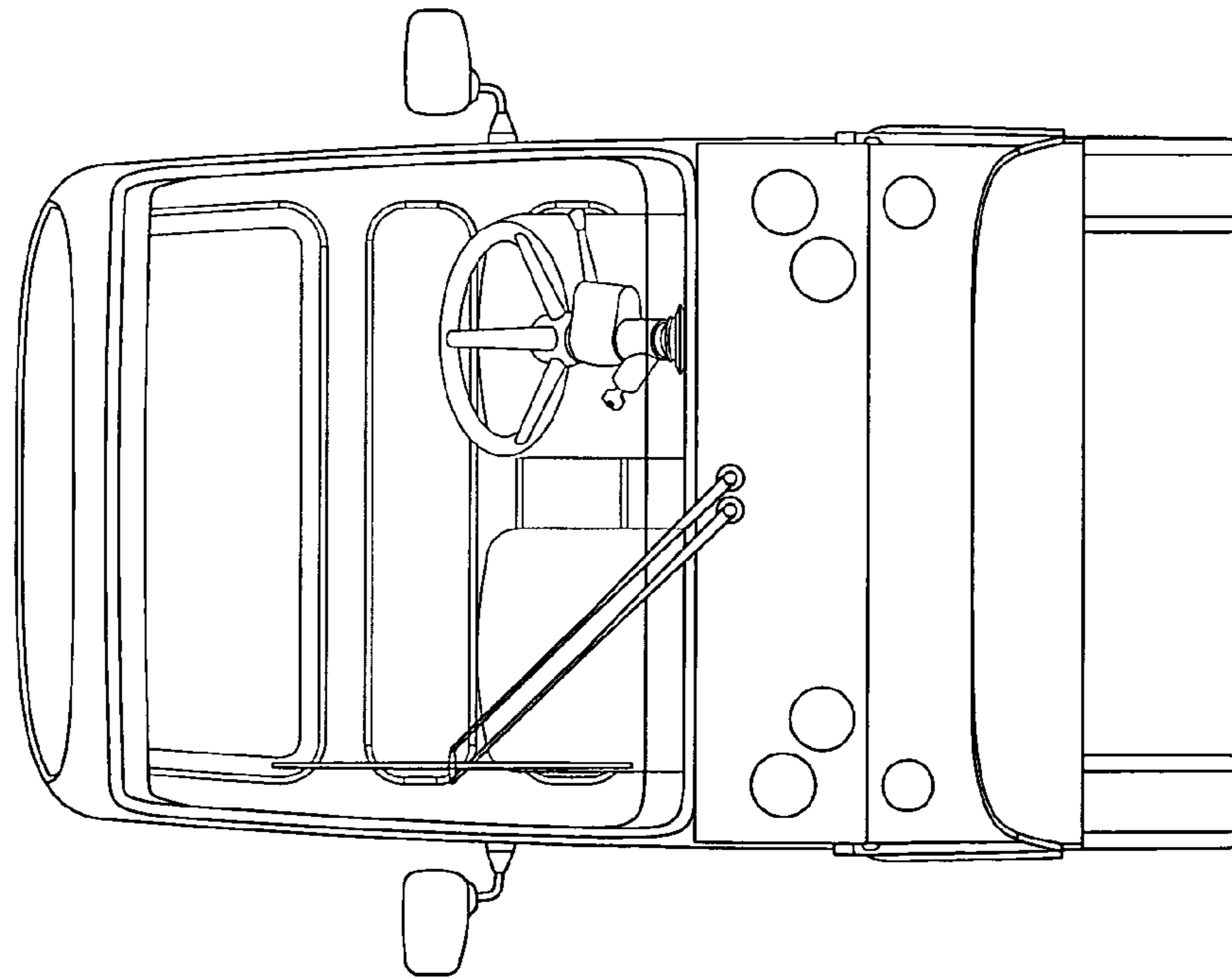




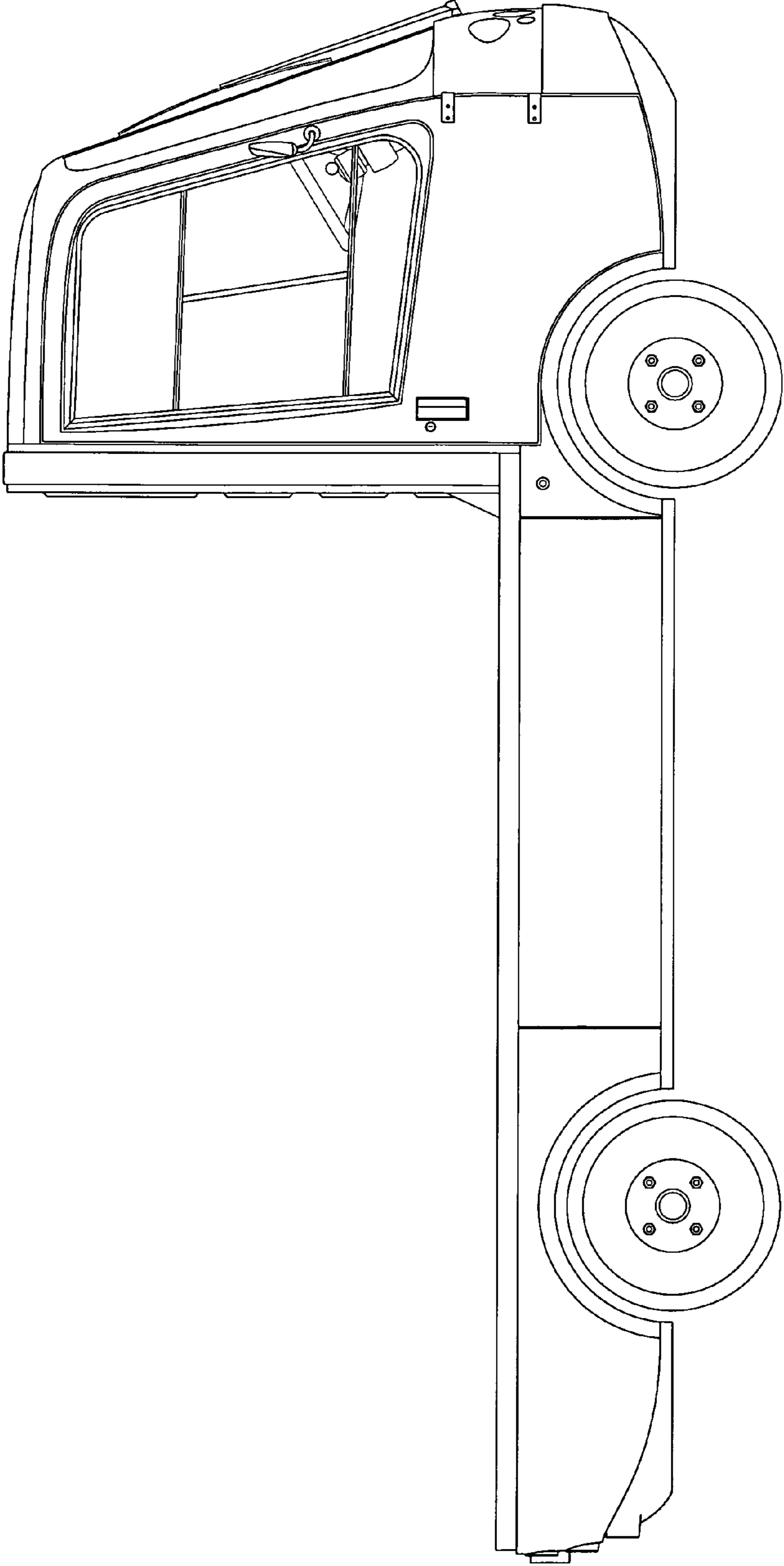
*Fig. 1*



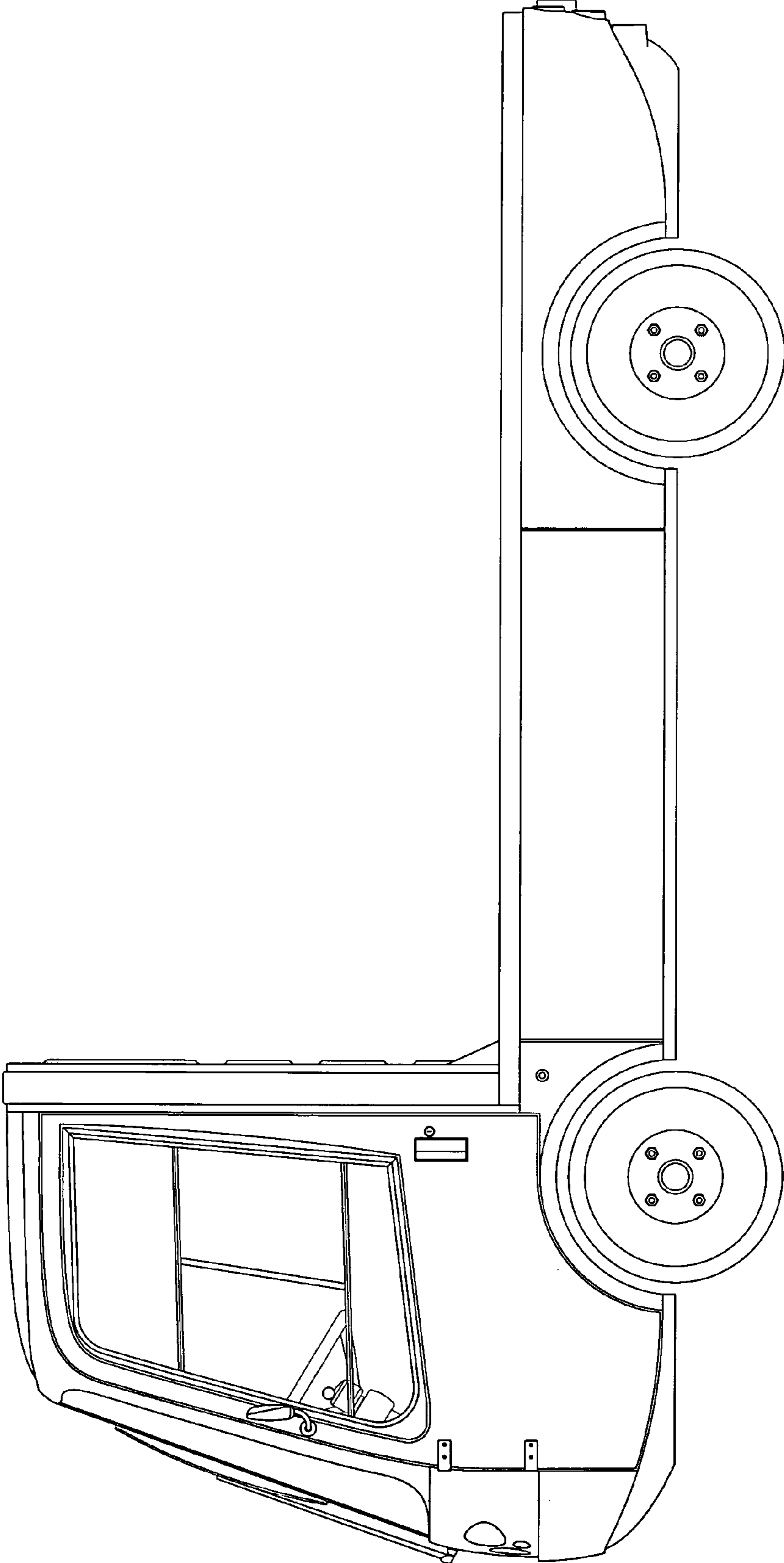
*Fig. 3*



*Fig. 2*

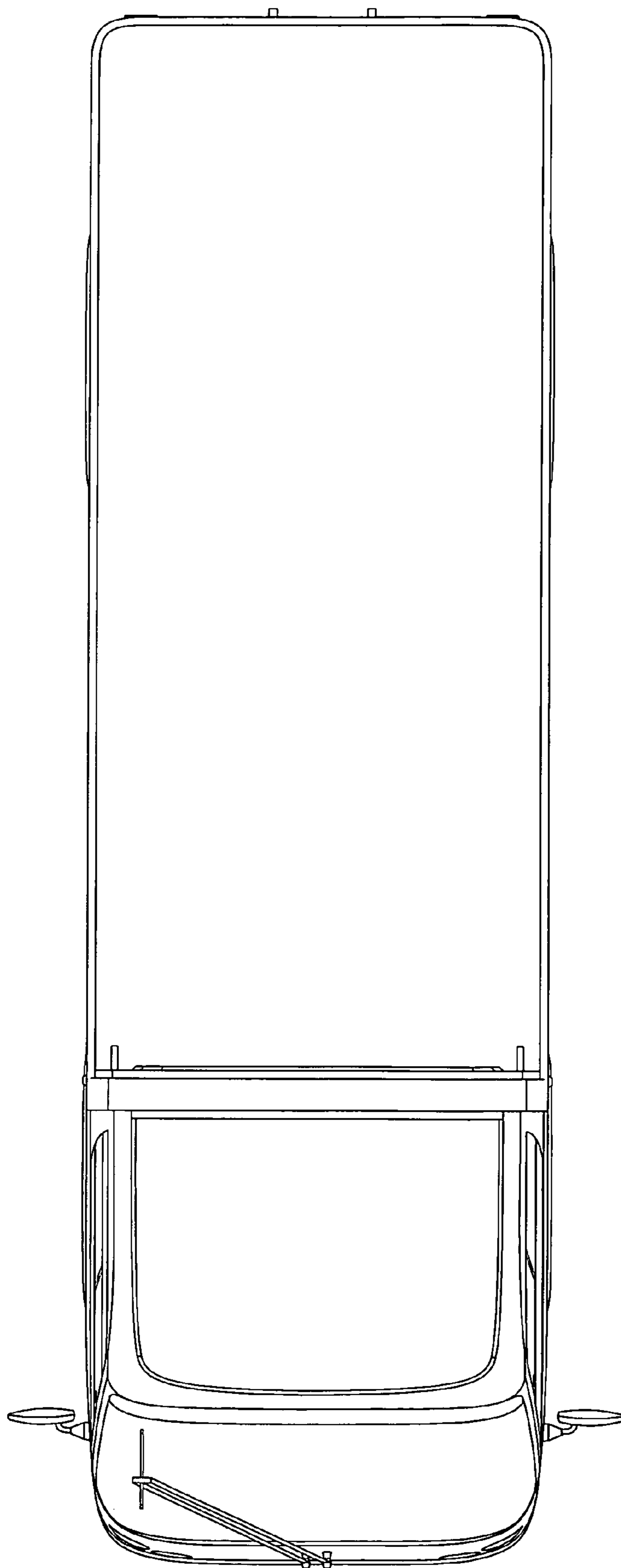


*Fig. 4*

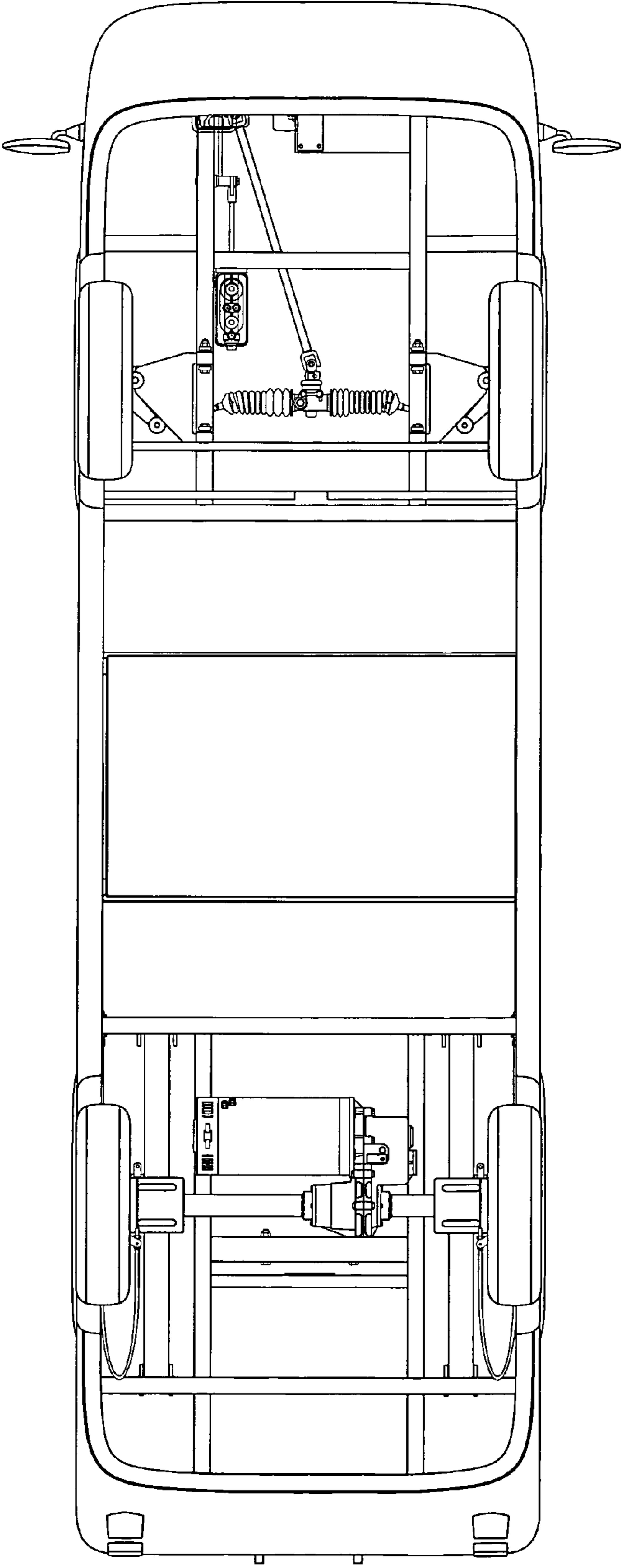


*Fig. 5*





*Fig. 6*



*Fig. 7*