



US00D643332S

(12) **United States Design Patent**
Iwase

(10) **Patent No.:** **US D643,332 S**

(45) **Date of Patent:** **** Aug. 16, 2011**

(54) **SLIDER FOR SLIDE FASTENER**

(75) Inventor: **Yuichi Iwase**, Toyama-Ken (JP)

(73) Assignee: **YKK Corporation** (JP)

(**) Term: **14 Years**

(21) Appl. No.: **29/377,785**

(22) Filed: **Oct. 26, 2010**

(30) **Foreign Application Priority Data**

Apr. 26, 2010 (JP) 2010-010382

(51) **LOC (9) Cl.** **02-07**

(52) **U.S. Cl.** **D11/221**

(58) **Field of Classification Search** D11/200,
D11/201, 221; 24/381-383, 385-387, 414-417,
24/421-422, 427-431, 433; 2/265
See application file for complete search history.

(56) **References Cited**

U.S. PATENT DOCUMENTS

3,225,405 A * 12/1965 Moser 24/423

D366,012 S * 1/1996 Aoki D11/221

D404,343 S * 1/1999 Moor D11/221

D509,770 S * 9/2005 Hamada et al. D11/221

* cited by examiner

Primary Examiner — Ralf Seifert

(74) *Attorney, Agent, or Firm* — Kilpatrick Townsend & Stockton LLP

(57) **CLAIM**

The ornamental design for a slider for slide fastener, as shown and described.

DESCRIPTION

FIG. 1 is a perspective view of the top, front and right of a slider for slide fastener showing my (our) new design;

FIG. 2 is a front view thereof;

FIG. 3 is a rear view thereof;

FIG. 4 is a top plan view thereof;

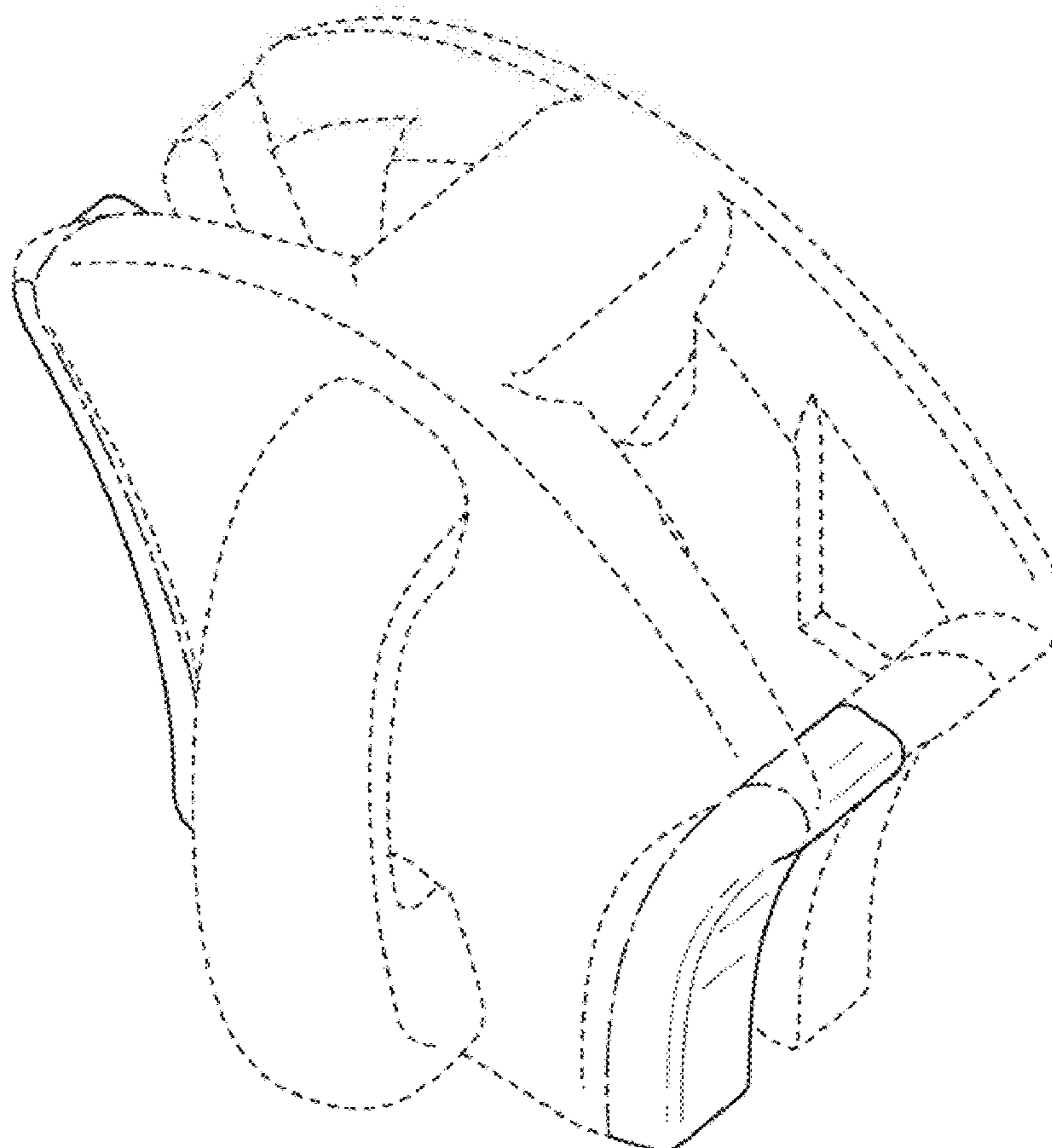
FIG. 5 is a bottom view thereof;

FIG. 6 is a right side view thereof, the left side view being mirror image thereof; and,

FIG. 7 is a reference view of usage thereof.

The portions of the article in broken lines are shown for illustrative purposes only and form no part of the claimed design. Chain dashed lines denotes boundaries between the claimed design and the portions of the article, that forms no part of the claimed design.

1 Claim, 4 Drawing Sheets



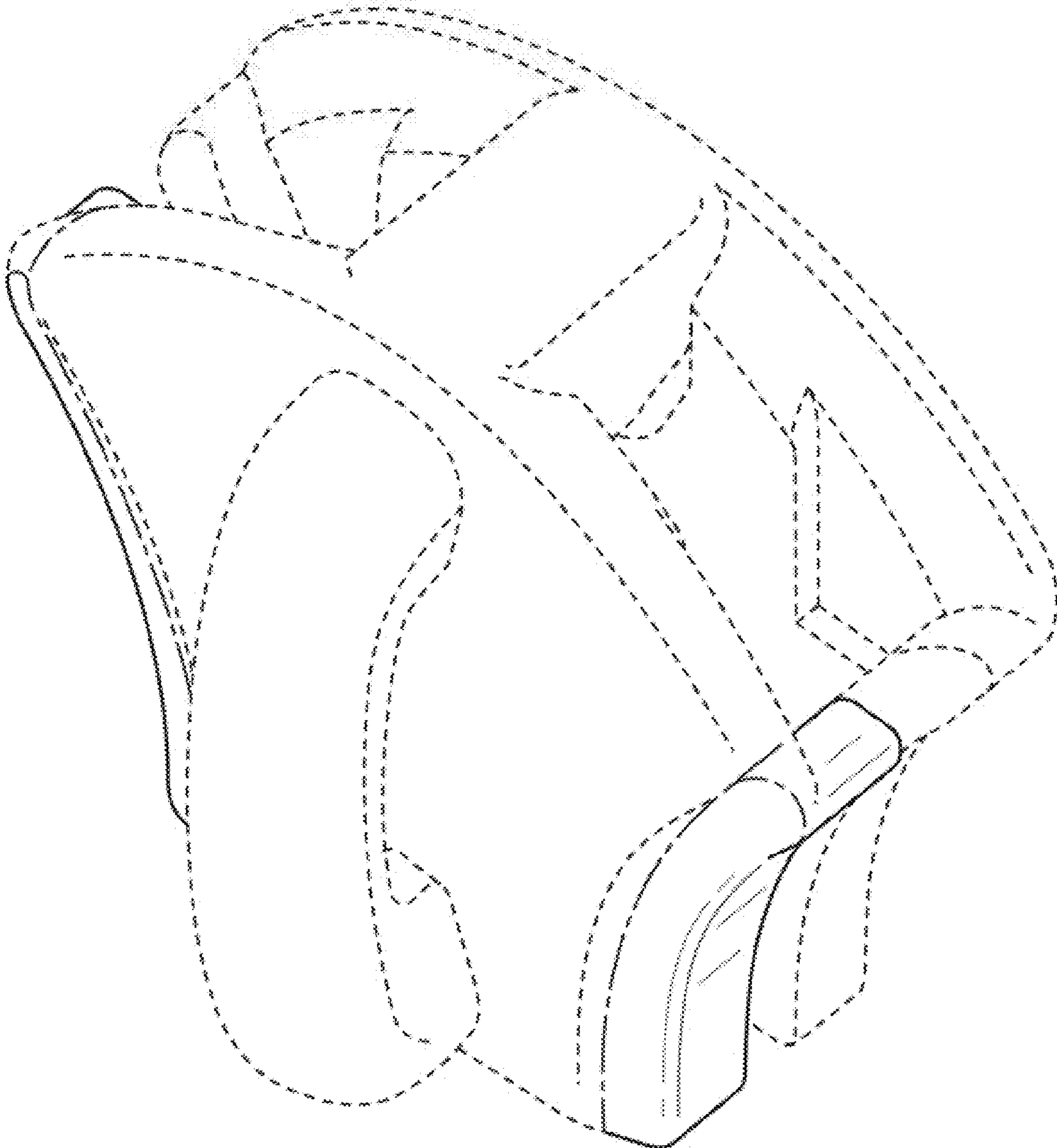


FIG. 1

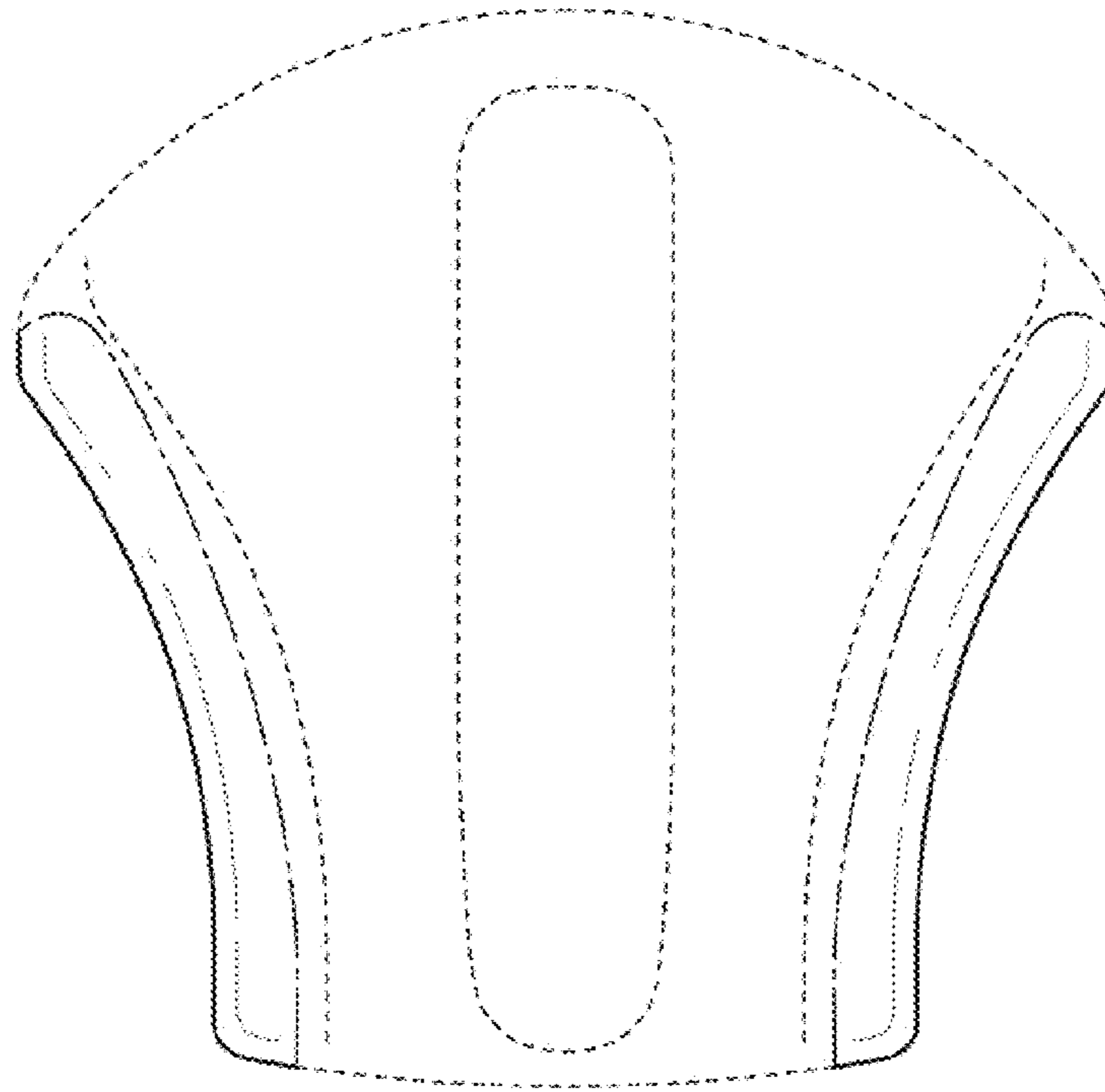


FIG. 2

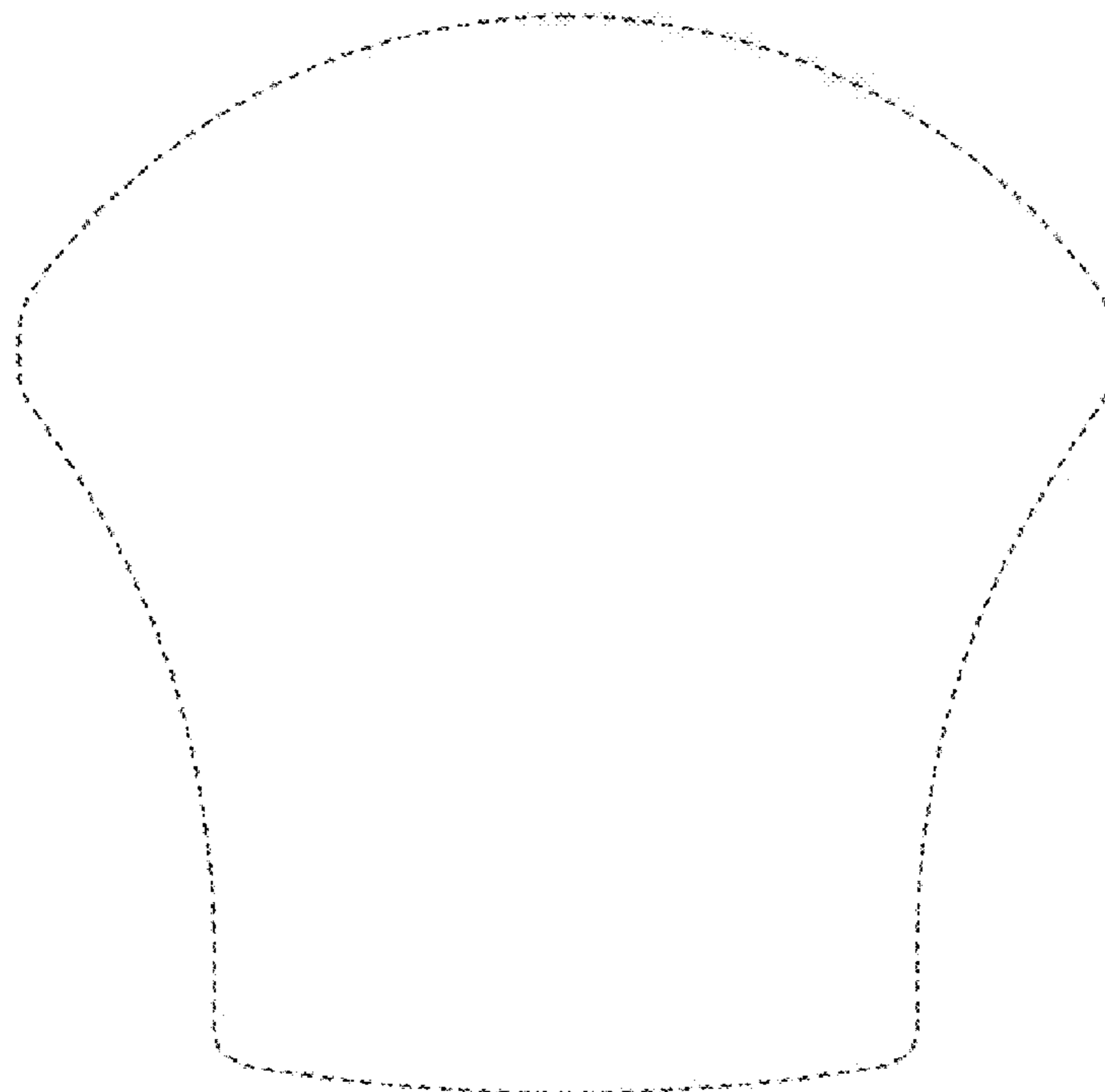


FIG. 3

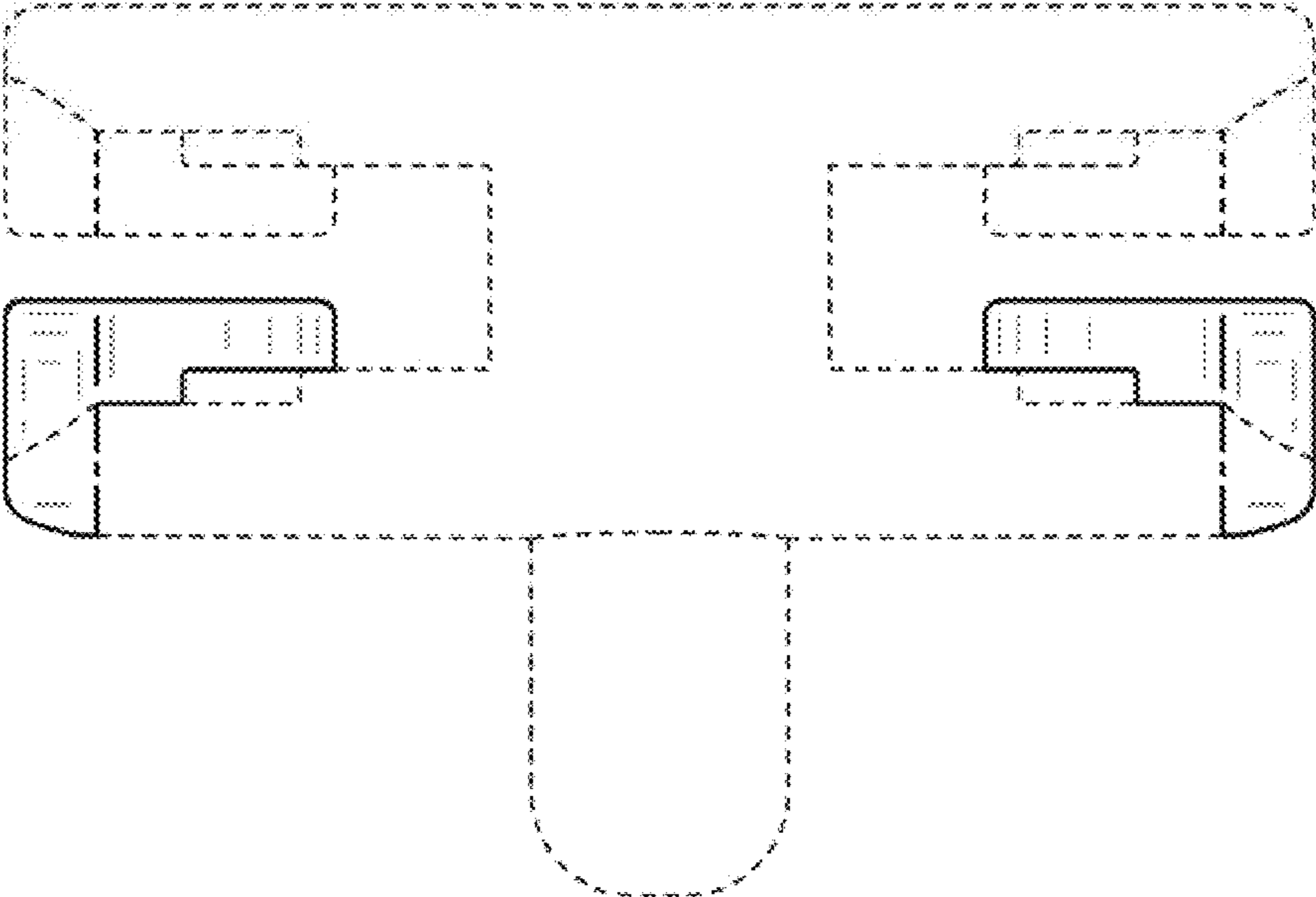


FIG. 4

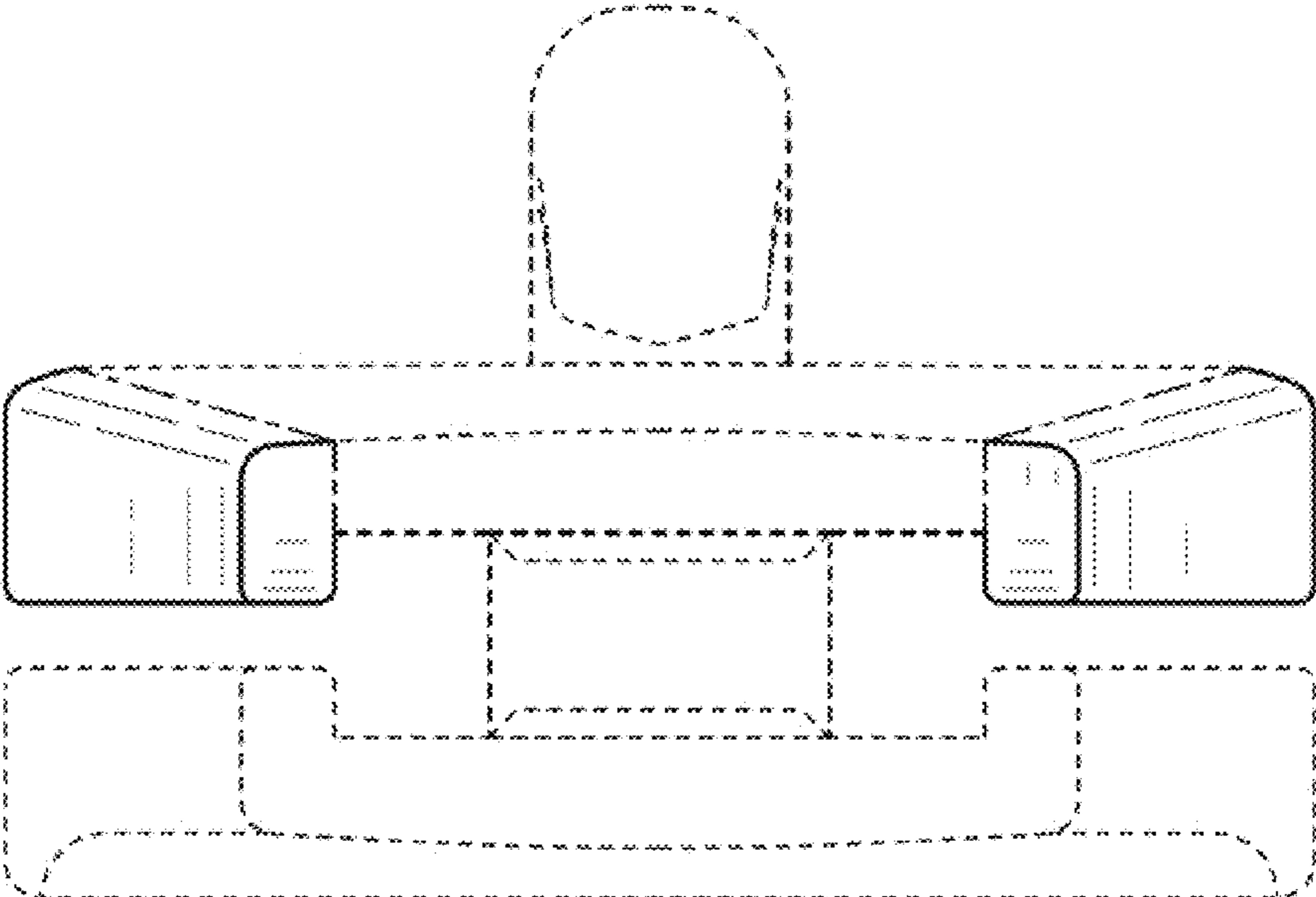


FIG. 5

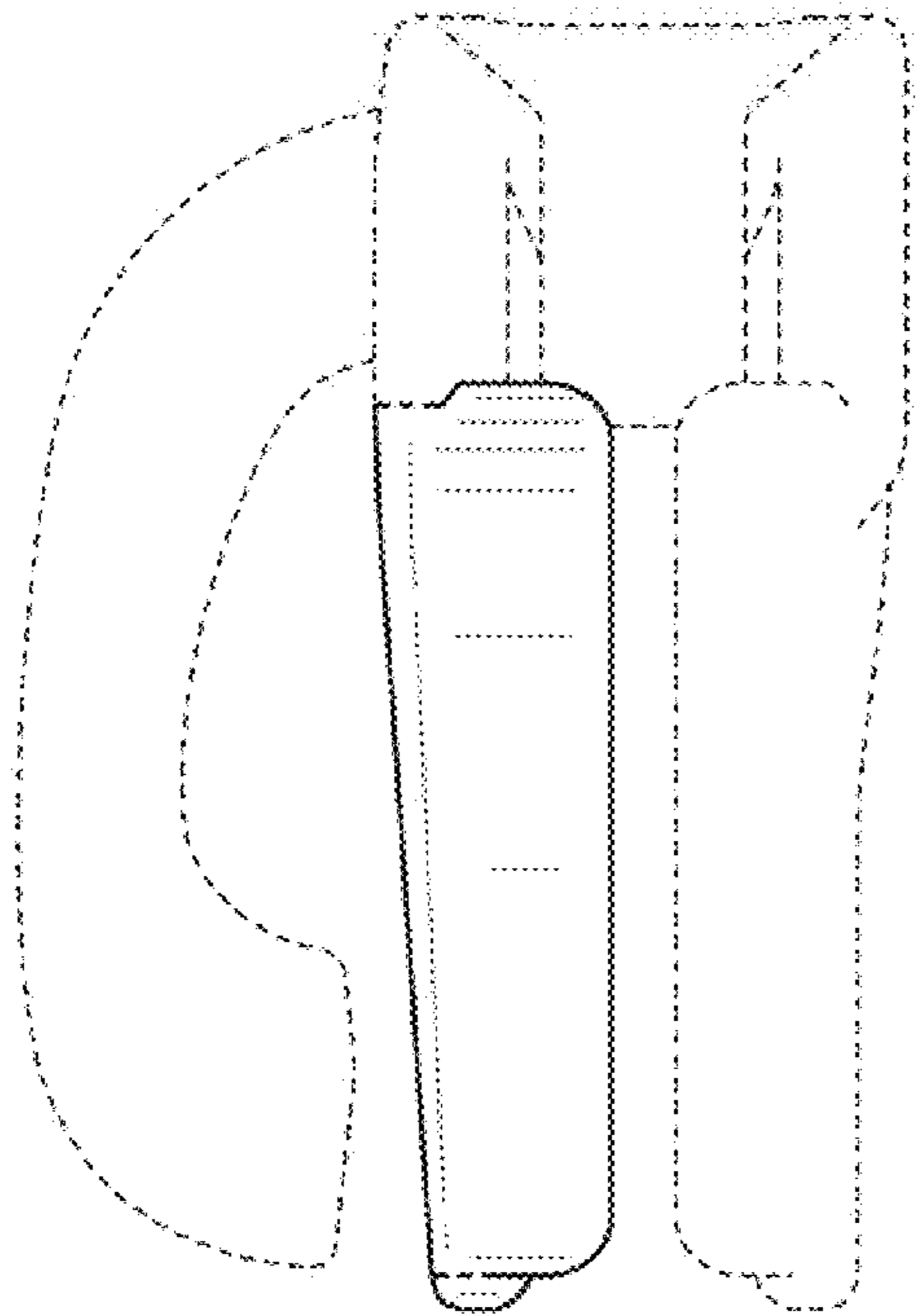


FIG. 6

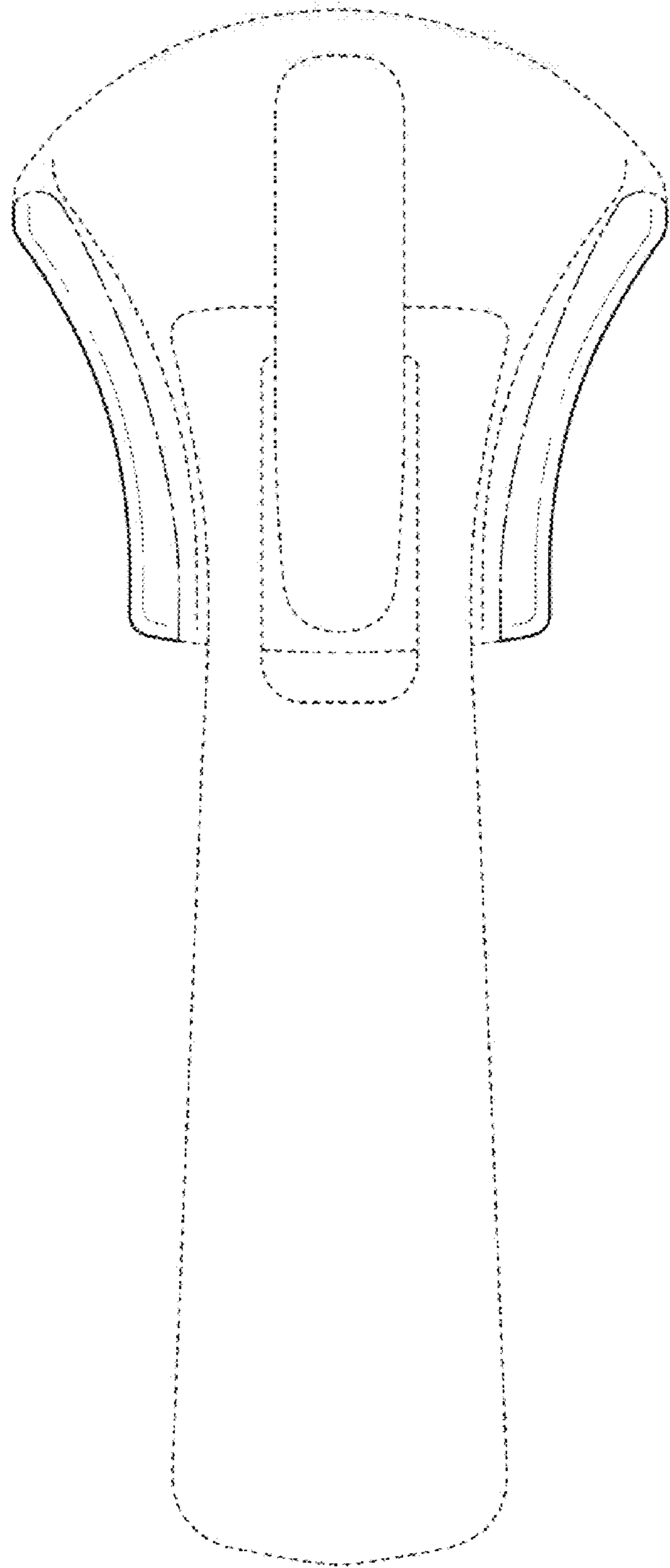


FIG. 7