



US00D643316S

(12) **United States Design Patent**
Nies et al.

(10) **Patent No.:** **US D643,316 S**
(45) **Date of Patent:** **** Aug. 16, 2011**

(54) **COMBINED WATER TIMER AND MANIFOLD ASSEMBLY**

(75) Inventors: **Juergen Nies**, Winchester, VA (US); **Ha Van Duong**, Winchester, VA (US); **Vicky Ann Michael**, Winchester, VA (US); **Richard King Boyle**, Winchester, VA (US); **James Daniel Carter**, Gerrardstown, WV (US); **Christopher R. Boggs**, Gahanna, OH (US); **Nathan Durflinger**, Youngstown, OH (US); **Don Meves**, Columbus, OH (US); **Dana Koppes**, Worthington, OH (US); **Eric Fickas**, Powell, OH (US)

(73) Assignee: **Melnor, Inc.**, Winchester, VA (US)

(**) Term: **14 Years**

(21) Appl. No.: **29/379,749**

(22) Filed: **Nov. 23, 2010**

(51) **LOC (9) Cl.** **10-03**

(52) **U.S. Cl.** **D10/40**

(58) **Field of Classification Search** D10/40;
239/68, 69, 70; 137/624.11, 624.12, 624.21,
137/624.22, 624.18; D23/245

See application file for complete search history.

(56) **References Cited**

U.S. PATENT DOCUMENTS

3,097,762	A	7/1963	Charnota et al.	
D281,808	S	* 12/1985	Lemkin et al.	D23/245
4,592,505	A	6/1986	Bruninga et al.	
4,633,905	A	1/1987	Wang	
4,708,264	A	11/1987	Bruninga	
4,722,478	A	2/1988	Fletcher et al.	
D298,962	S	12/1988	Bruninga	
4,791,948	A	* 12/1988	Bayat	137/1
4,807,664	A	2/1989	Wilson et al.	
4,858,827	A	* 8/1989	Fletcher et al.	239/69
D304,224	S	10/1989	Wilson et al.	
4,921,002	A	* 5/1990	Christon et al.	137/119.03
5,082,022	A	* 1/1992	Boundy	137/624.12
5,101,859	A	4/1992	Roman	

5,143,290	A	9/1992	Wang	
D365,771	S	1/1996	Clivio	
D377,316	S	1/1997	Roman et al.	
5,826,619	A	10/1998	Roman	
D422,680	S	* 4/2000	Guo	D23/213
D430,044	S	8/2000	Clivio	
D431,195	S	9/2000	Clivio	
6,240,336	B1	* 5/2001	Brundisini	700/284
6,283,139	B1	9/2001	Symonds et al.	
D451,037	S	11/2001	Jacobs et al.	
D451,411	S	* 12/2001	Jacobs et al.	D10/40
D451,412	S	12/2001	Jacobs et al.	
6,337,635	B1	1/2002	Ericksen et al.	
6,397,888	B1	6/2002	Wang	
D467,187	S	12/2002	Clivio	
D477,287	S	7/2003	Roman	
D485,502	S	1/2004	Clivio	

(Continued)

Primary Examiner — Lucy Lieberman

(74) *Attorney, Agent, or Firm* — Westerman, Hattori, Daniels & Adrian, LLP

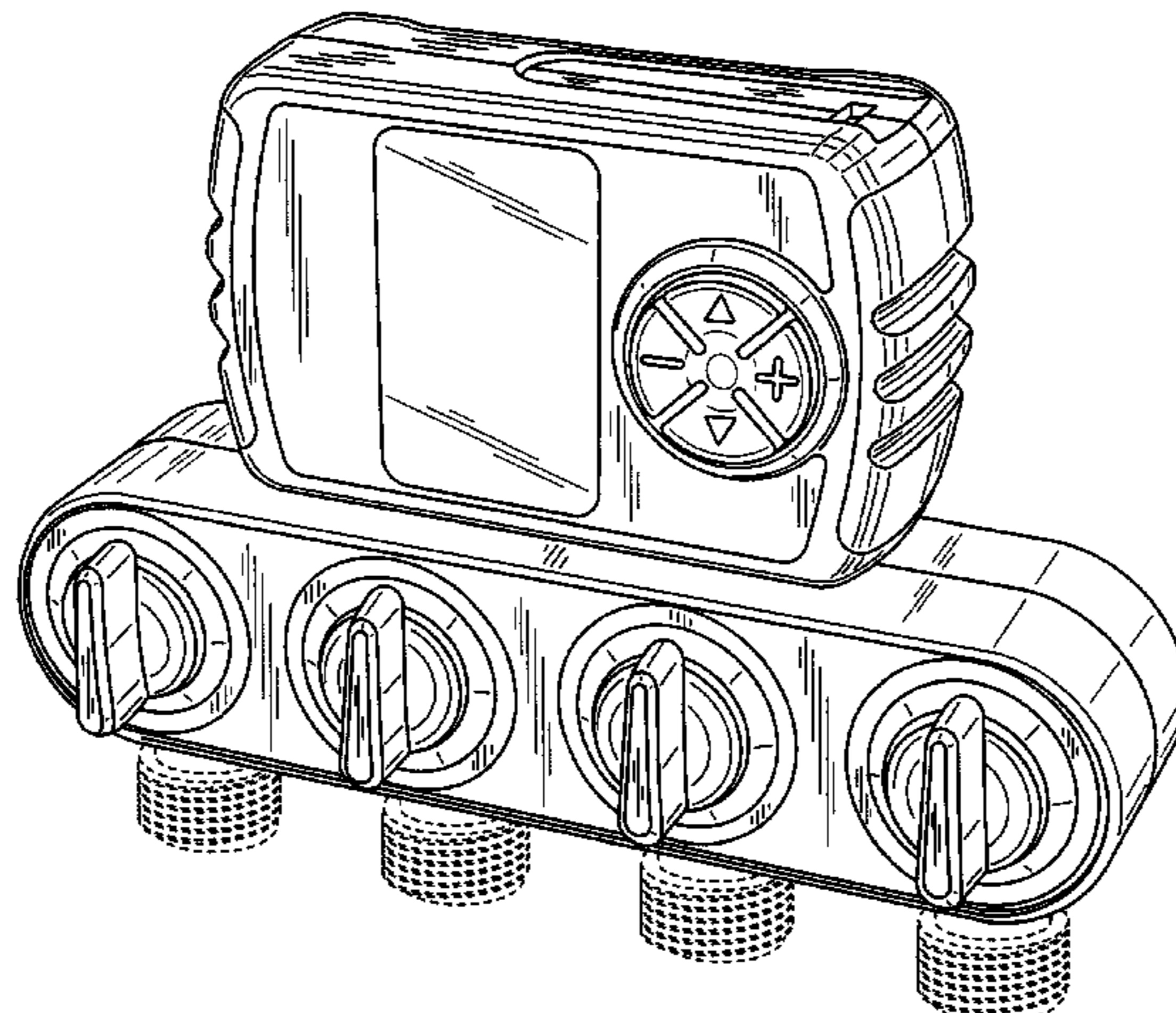
(57) **CLAIM**

The ornamental design for a combined water timer and manifold assembly, as shown and described.

DESCRIPTION

FIG. 1 is a perspective view of a combined water timer and manifold assembly;
FIG. 2 is a front elevation view of the combined water timer and manifold assembly;
FIG. 3 is a back elevation view of the combined water timer and manifold assembly;
FIG. 4 is a top plan view of the combined water timer and manifold assembly;
FIG. 5 is a bottom plan view of the combined water timer and manifold assembly;
FIG. 6 is a left side elevation view of the combined water timer and manifold assembly; and,
FIG. 7 is a right side elevation view of the combined water timer and manifold assembly.
The elements in broken lines show environmental structure and form no part of the claimed design.

1 Claim, 6 Drawing Sheets



US D643,316 S

Page 2

U.S. PATENT DOCUMENTS

6,719,010	B1	4/2004	Yi-Chang				
D499,174	S *	11/2004	Goetz et al.	D23/245			
6,932,277	B1 *	8/2005	Ericksen et al.	239/1			
D511,979	S	11/2005	Echito et al.				
6,986,364	B1	1/2006	Wang				
7,252,113	B2	8/2007	Jacobs et al.				
D559,708	S	1/2008	Michael et al.				
D567,680	S	4/2008	Michael et al.				
D567,681	S	4/2008	Michael et al.				
7,404,415	B2 *	7/2008	Jacobs et al.	137/624.11			
D582,794	S	12/2008	Stekelenburg				
D605,962	S	12/2009	Tsou et al.				
D630,952	S *	1/2011	Nies et al.	D10/40			

* cited by examiner

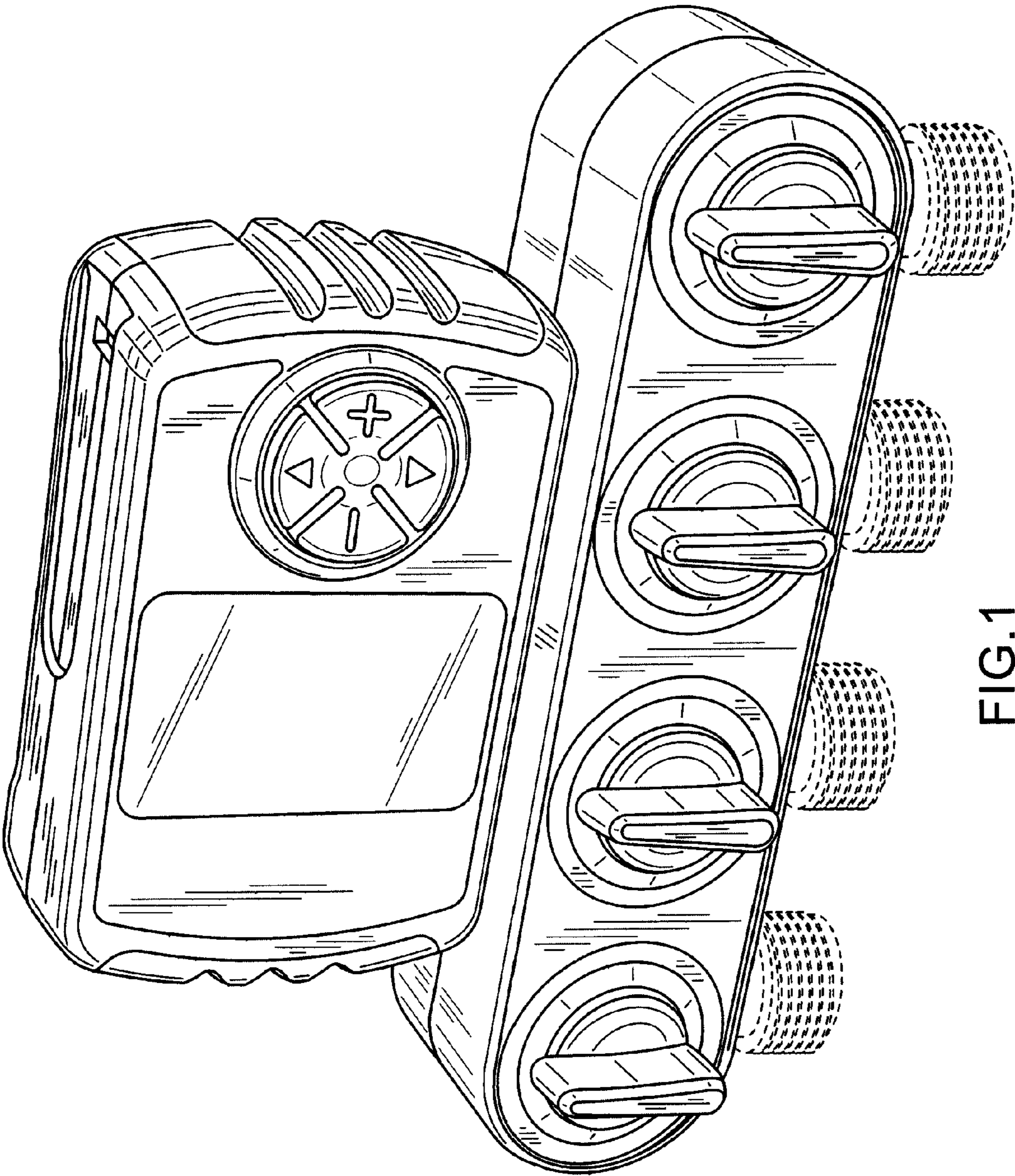


FIG.1

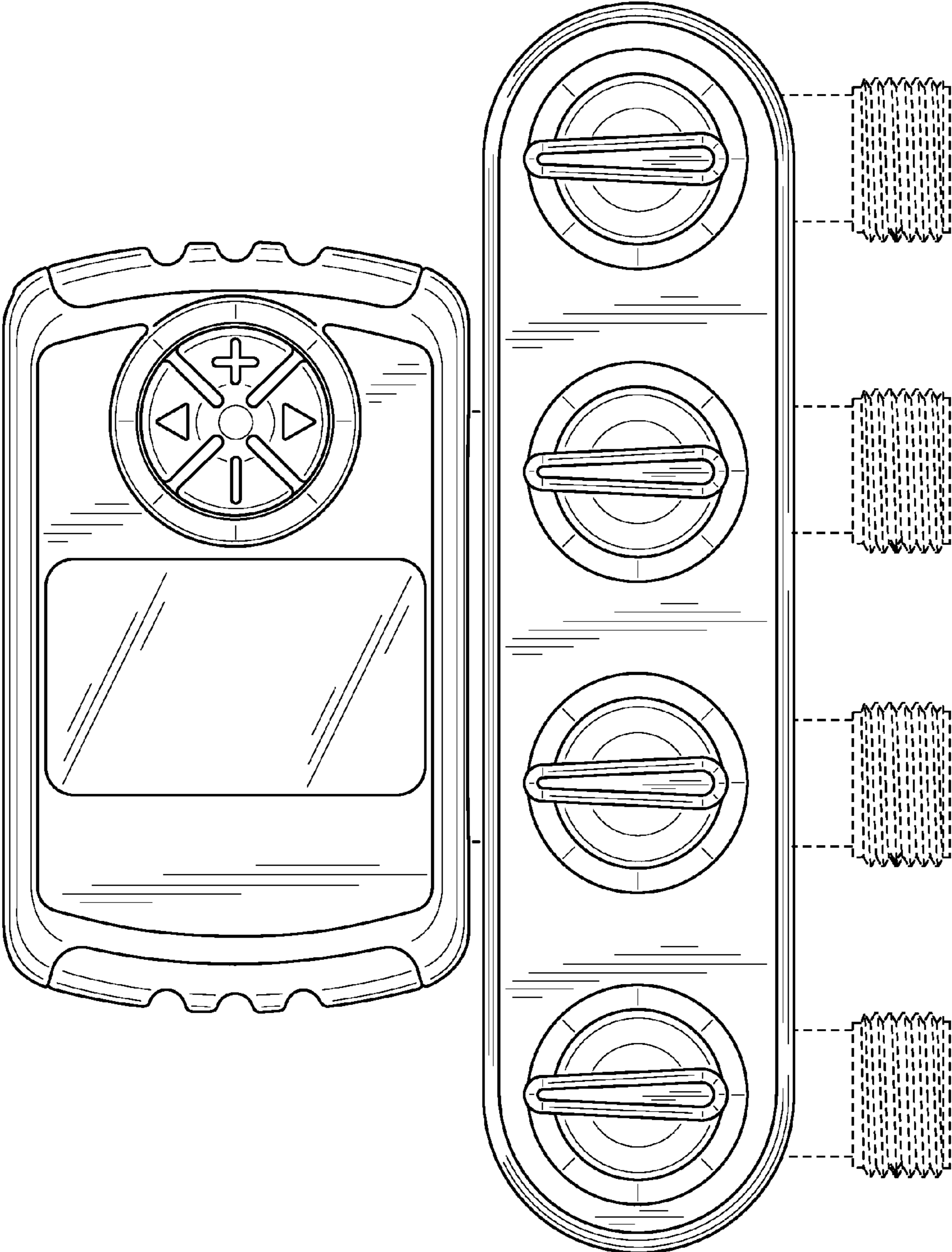


FIG.2

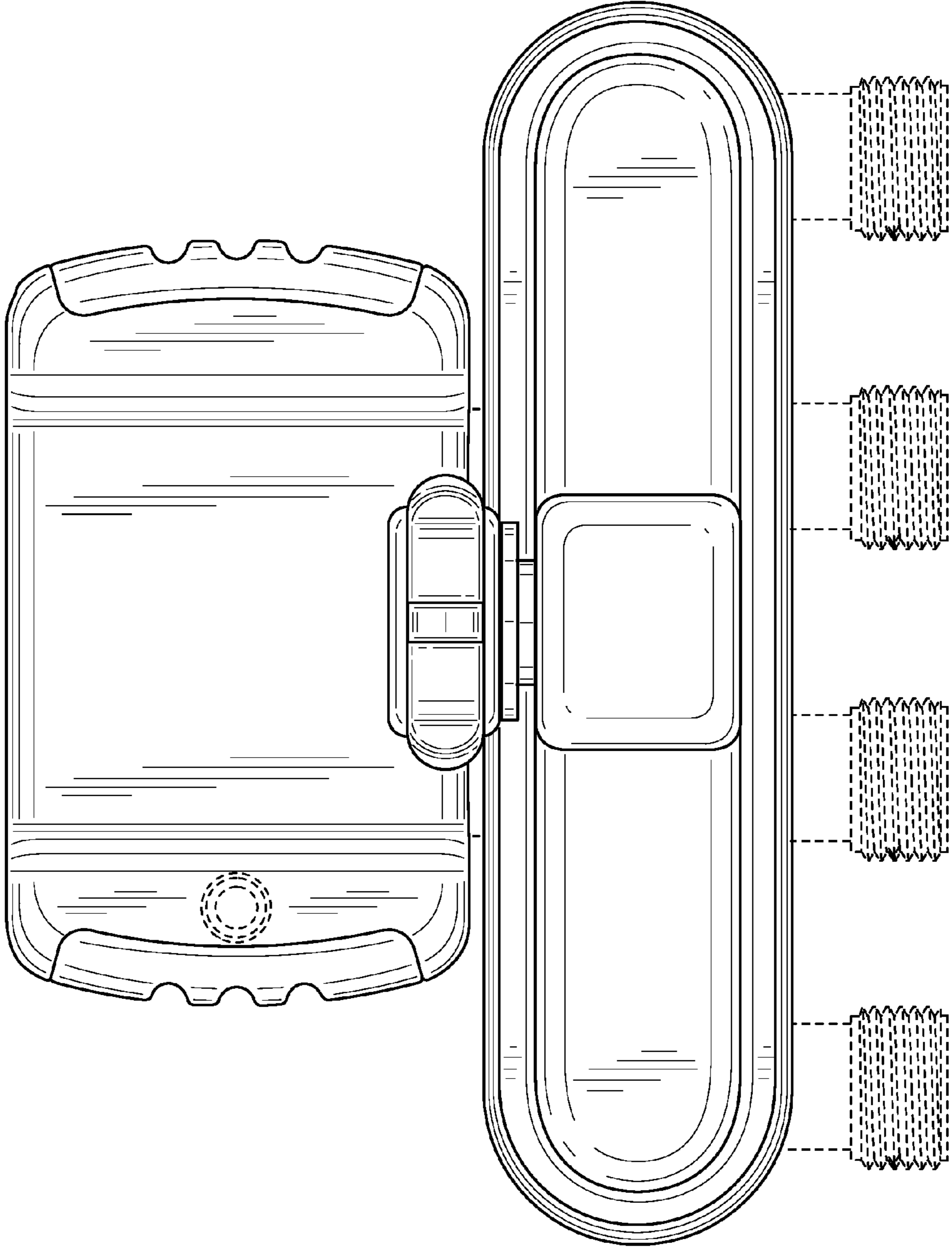


FIG.3

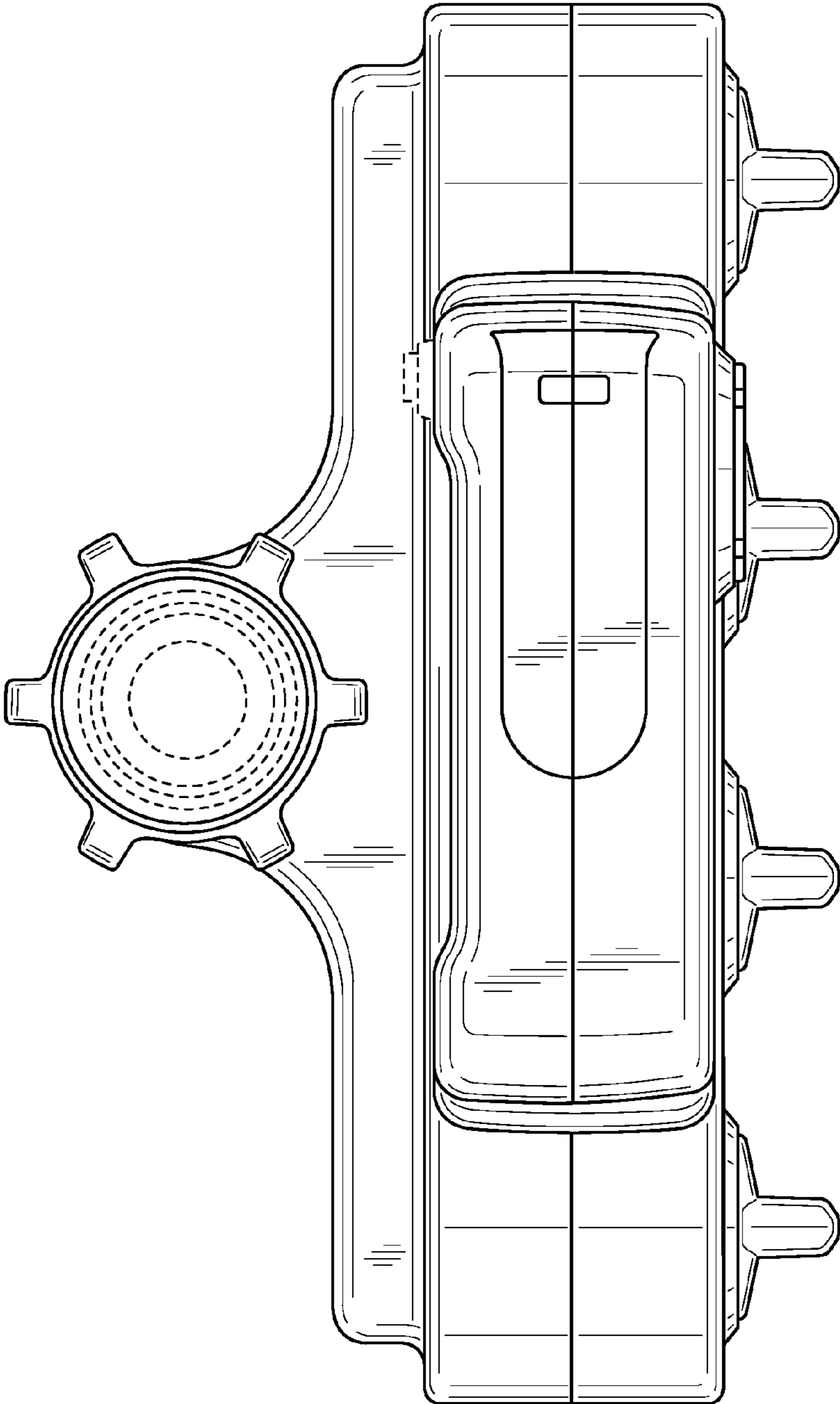


FIG.4

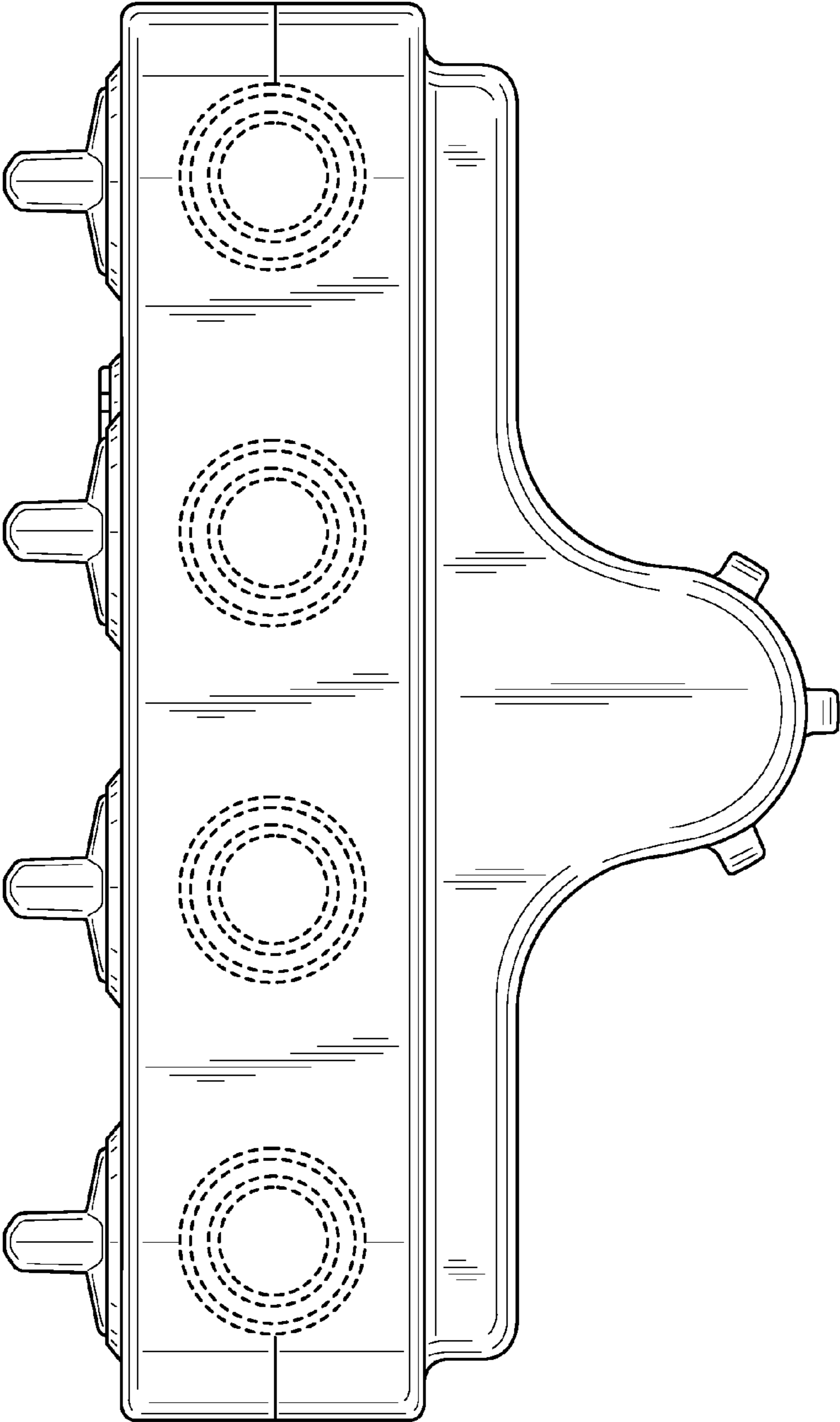


FIG.5

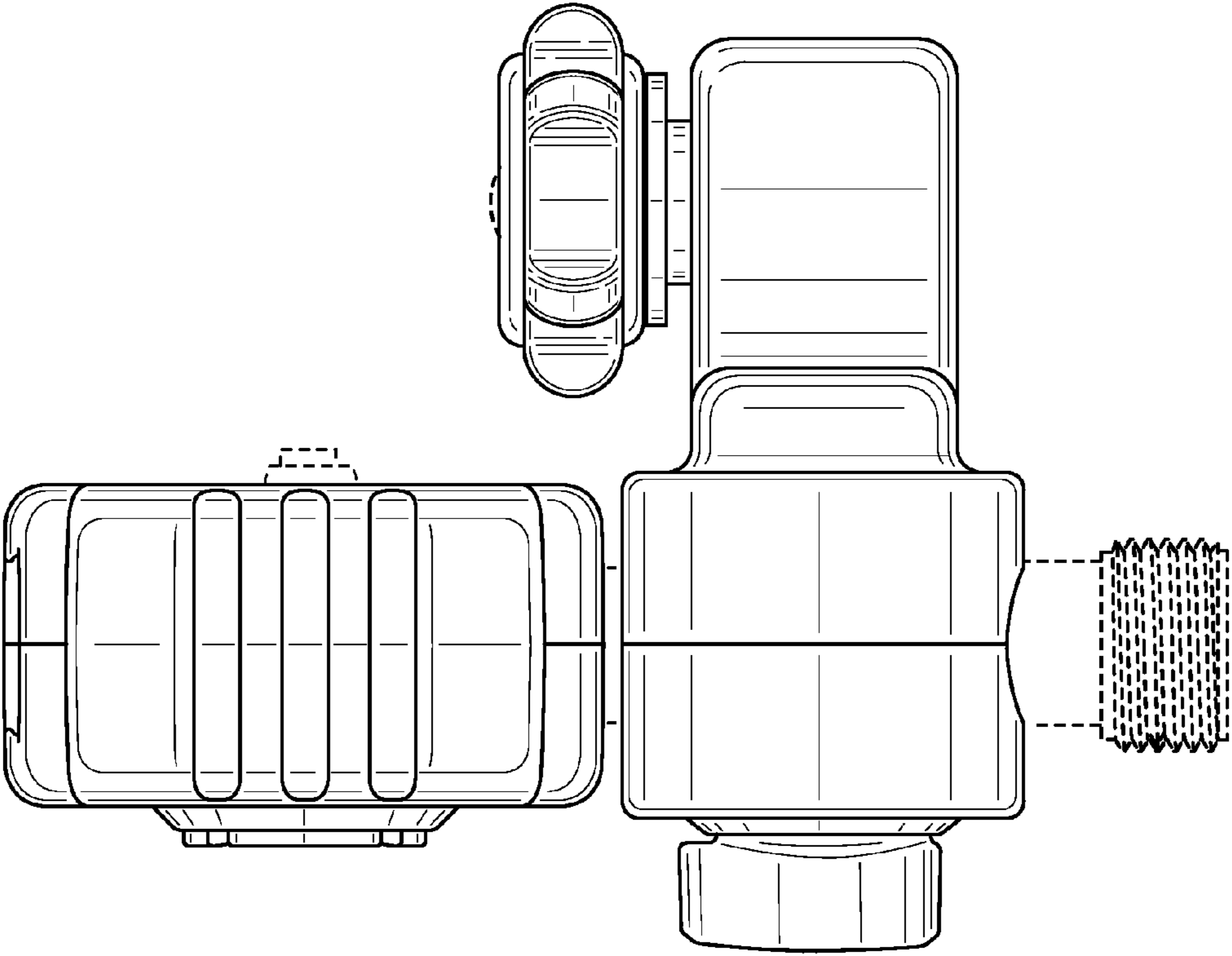


FIG. 7

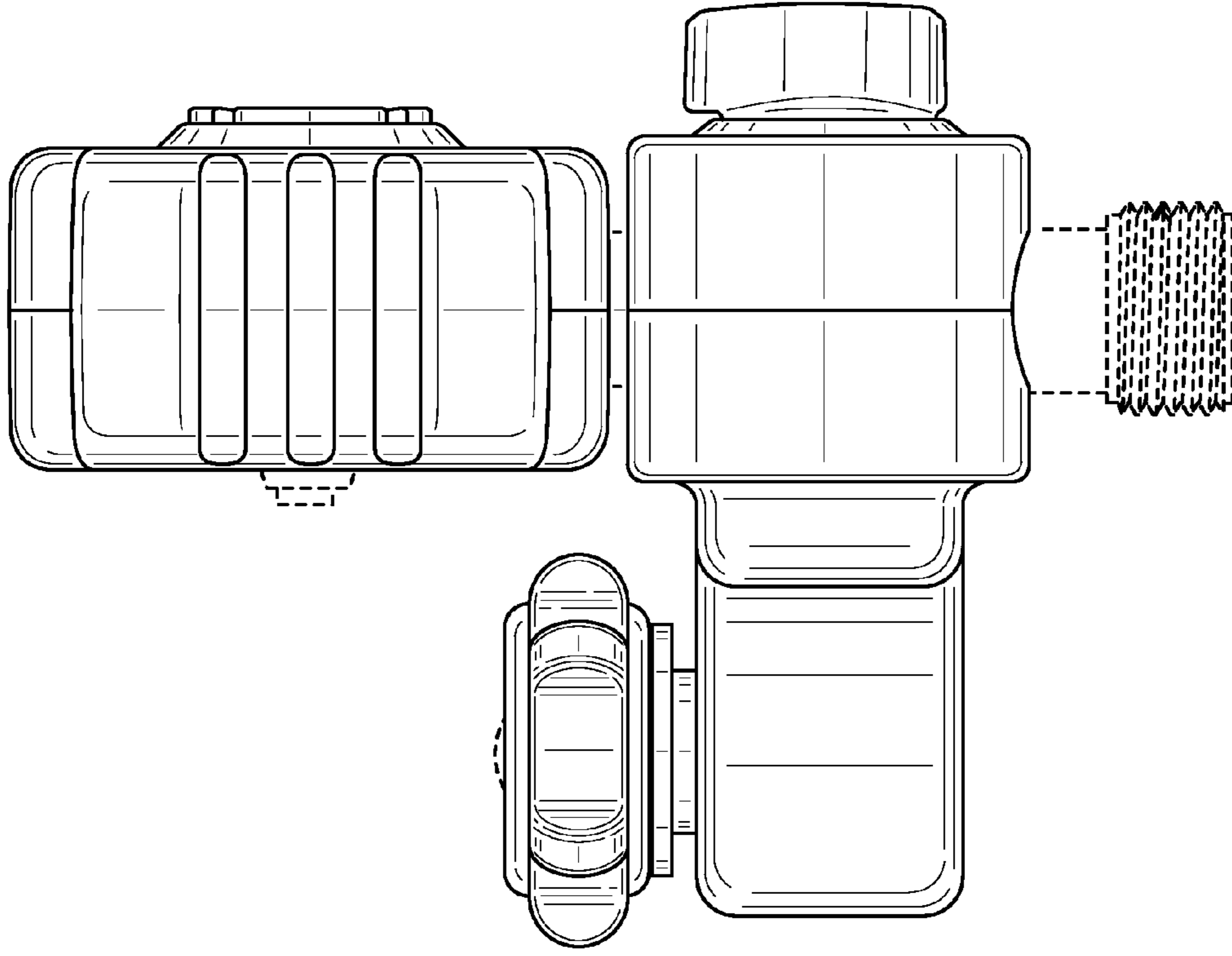


FIG. 6