



US00D643314S

(12) **United States Design Patent**  
**De Witt**

(10) **Patent No.:** **US D643,314 S**

(45) **Date of Patent:** **\*\* Aug. 16, 2011**

(54) **WATCH**

(75) **Inventor:** **Jérôme De Witt**, Vandoeuvres (CH)

(73) **Assignee:** **Montres DeWitt SA**, Meyrin (CH)

(\*\*) **Term:** **14 Years**

(21) **Appl. No.:** **29/373,275**

(22) **Filed:** **Mar. 24, 2011**

(30) **Foreign Application Priority Data**

Sep. 27, 2010 (WO) ..... DM/074 503

(51) **LOC (9) Cl.** ..... **10-02**

(52) **U.S. Cl.** ..... **D10/39**

(58) **Field of Classification Search** ..... D10/30-39,  
D10/122-132; 368/276, 281, 282, 285, 80,  
368/223, 228

See application file for complete search history.

(56) **References Cited**

**U.S. PATENT DOCUMENTS**

3,431,722 A \* 3/1969 Haas ..... 235/61 R  
D382,815 S \* 8/1997 Riley ..... D10/30

D435,223 S \* 12/2000 Bodino ..... D10/32  
D508,653 S \* 8/2005 Roden ..... D10/32  
D527,283 S \* 8/2006 De Witt ..... D10/38  
D538,184 S \* 3/2007 Scheufele ..... D10/39  
D547,206 S \* 7/2007 Dewitt ..... D10/31  
D547,211 S \* 7/2007 Dias ..... D10/39  
D559,131 S \* 1/2008 Laucella ..... D10/39  
D563,255 S \* 3/2008 Hardy ..... D10/125  
D570,231 S \* 6/2008 Actis-Datta ..... D10/38  
D590,727 S \* 4/2009 Wei ..... D10/38

\* cited by examiner

*Primary Examiner* — Lucy Lieberman

(74) *Attorney, Agent, or Firm* — Clifford W. Browning;  
Krieg DeVault LLP

(57) **CLAIM**

The ornamental design for a watch, as shown and described.

**DESCRIPTION**

FIG. 1 is a top view of the watch of the present invention.

FIG. 2 is a perspective view of the watch of FIG. 1.

FIG. 3 is a bottom view of the watch of FIG. 1.

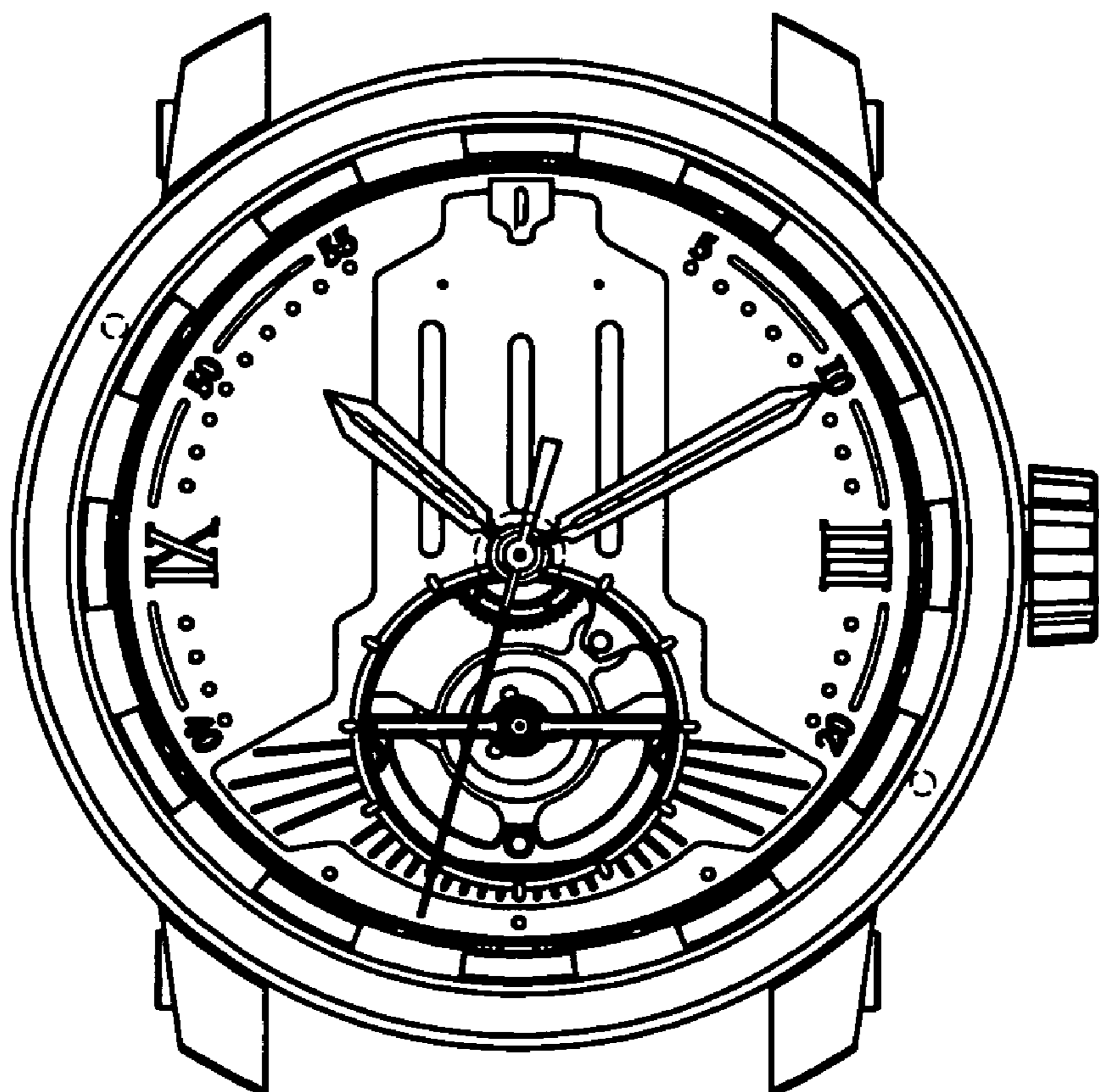
FIG. 4 is a right side view of the watch of FIG. 1.

FIG. 5 is a left side view of the watch of FIG. 1.

FIG. 6 is a front view of the watch of FIG. 1; and,

FIG. 7 is a rear view of the watch of FIG. 1.

**1 Claim, 2 Drawing Sheets**



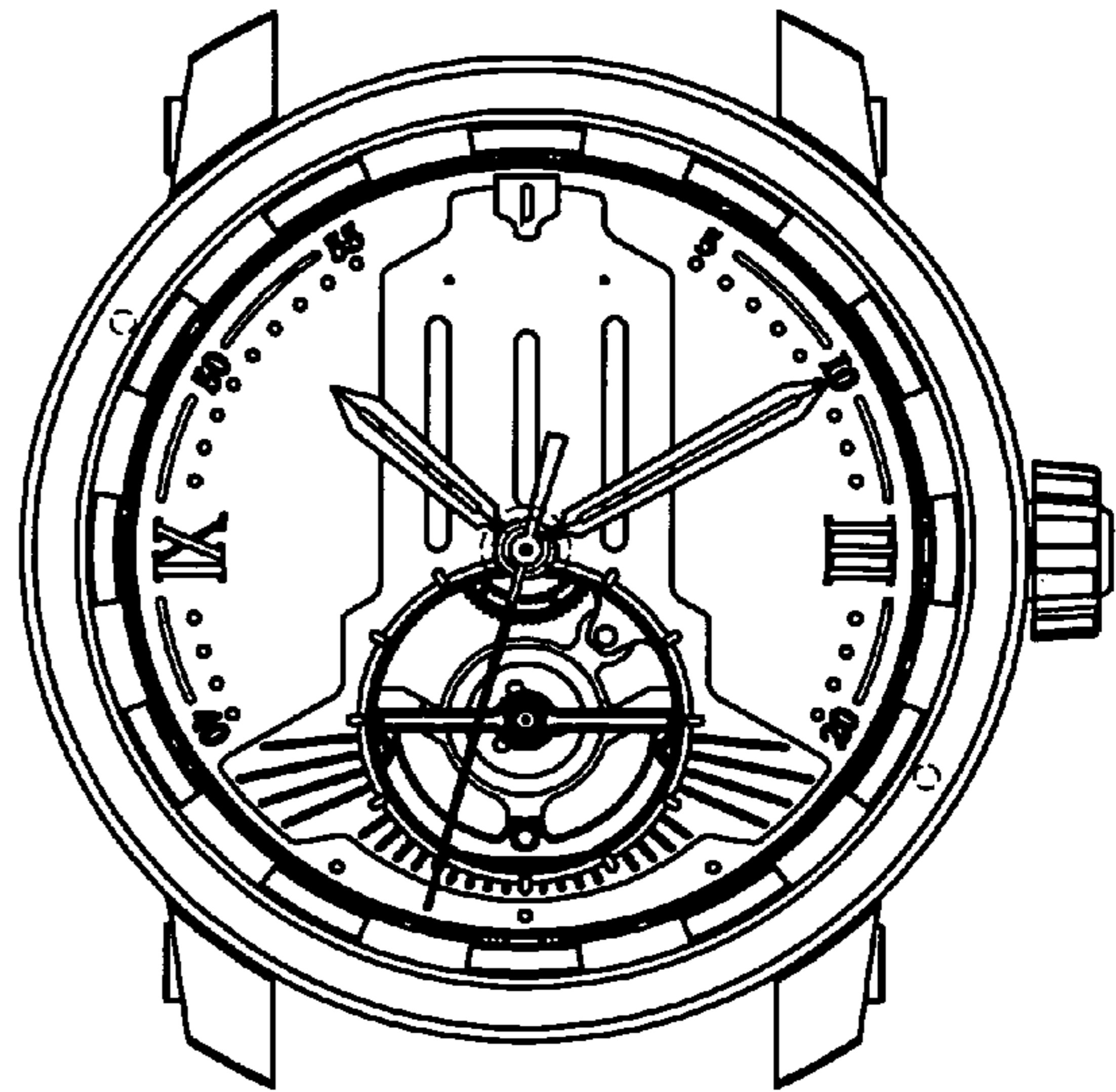


FIG. 1

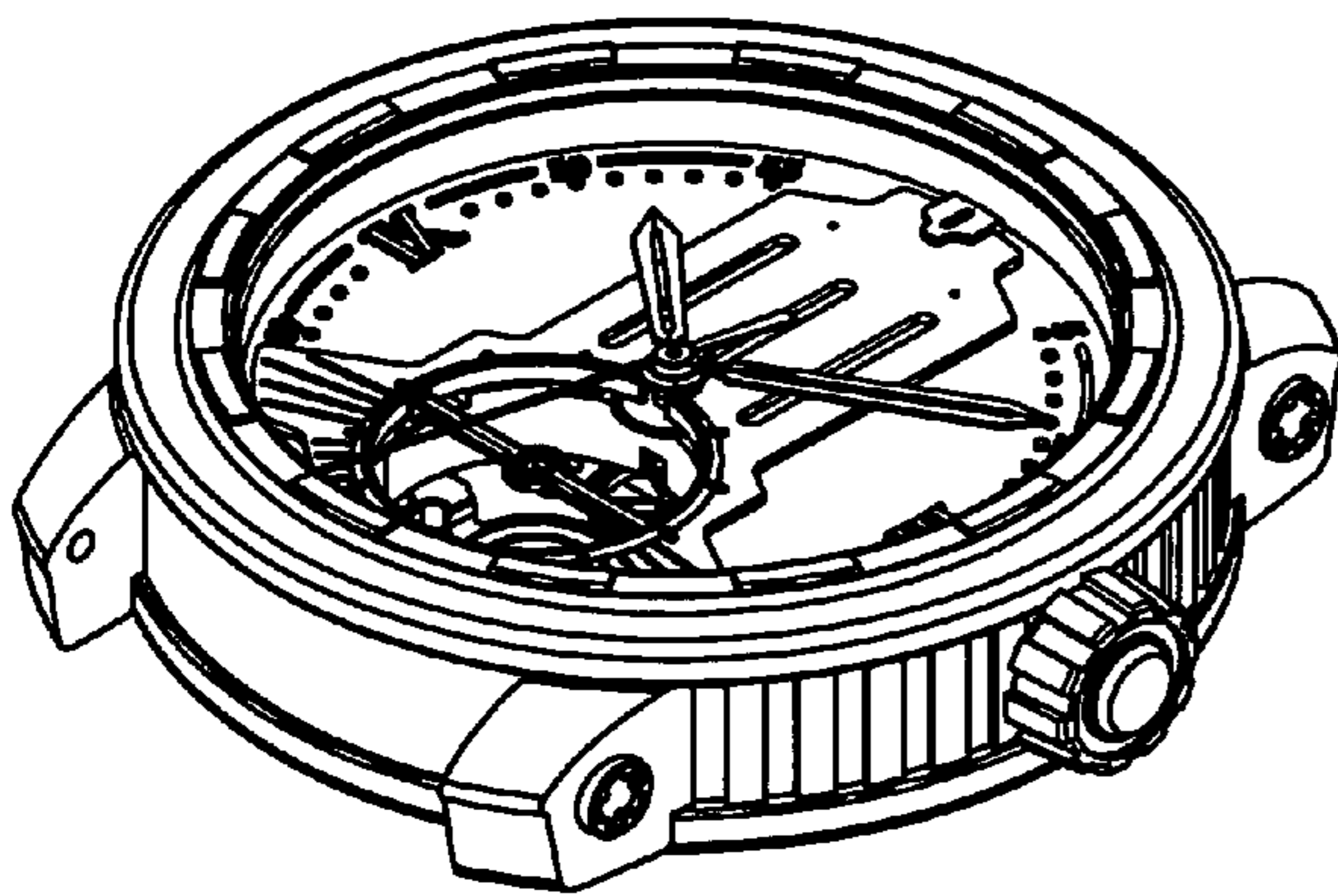


FIG. 2

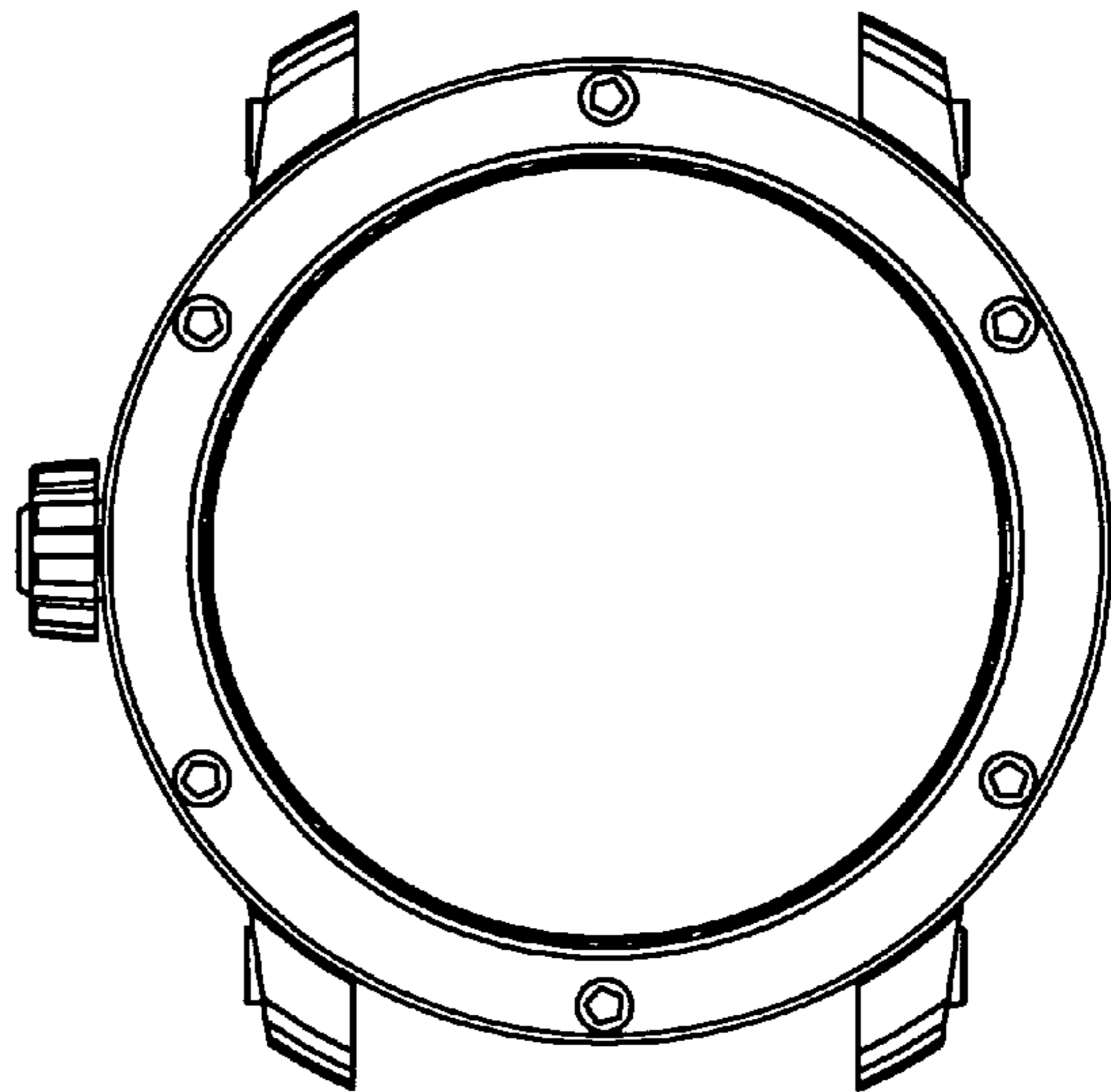


FIG. 3

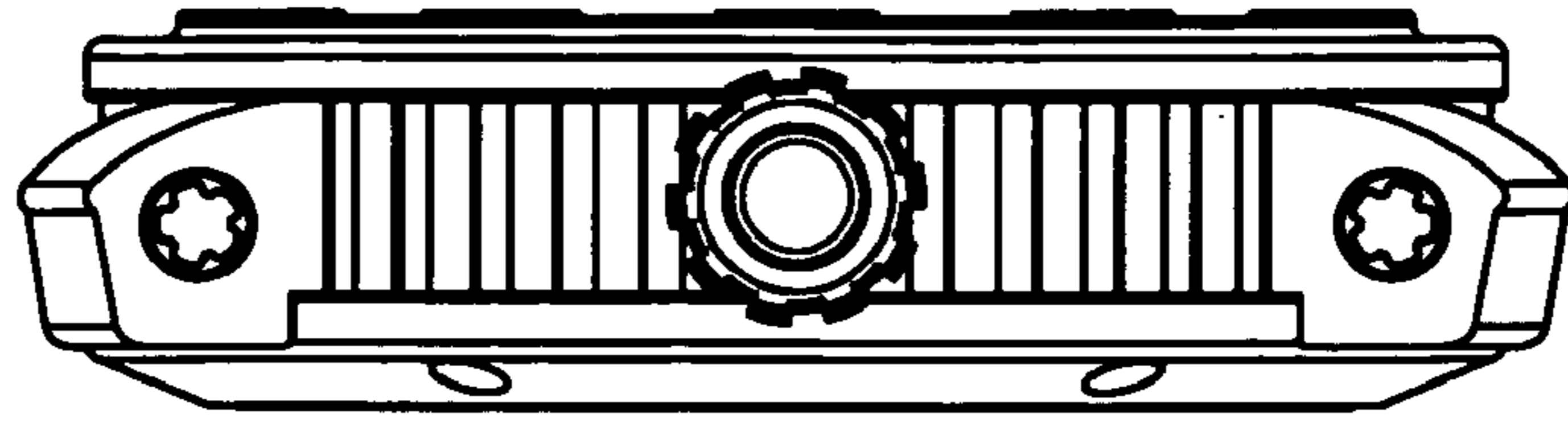


FIG. 4

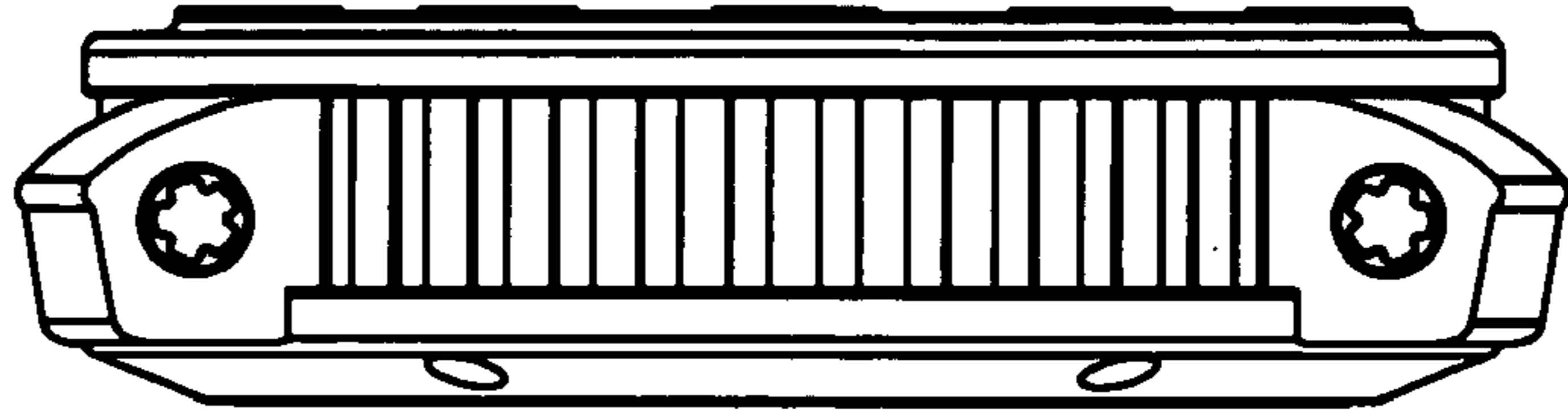


FIG. 5

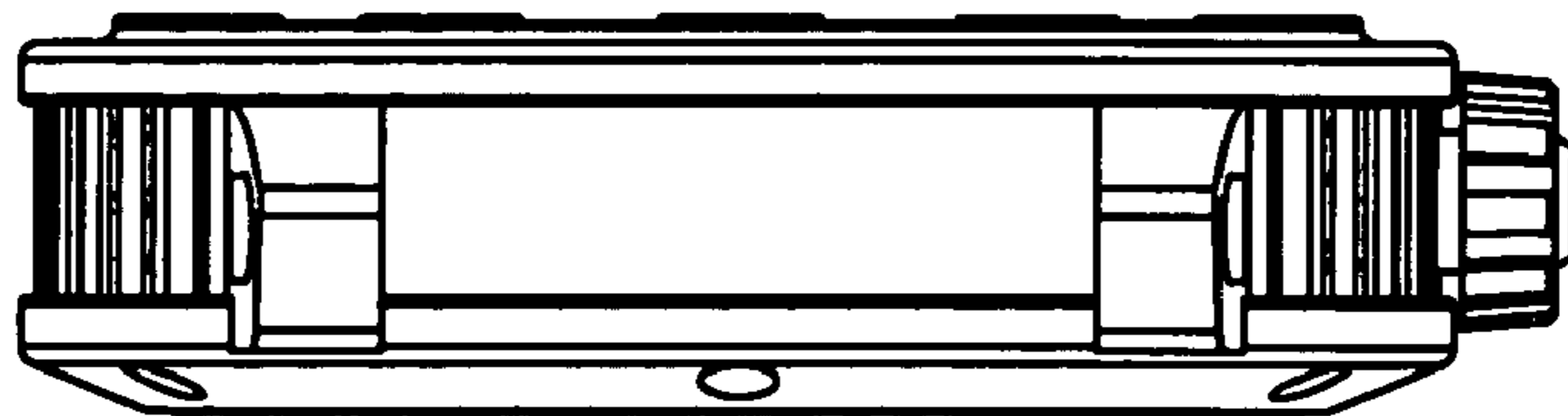


FIG. 6

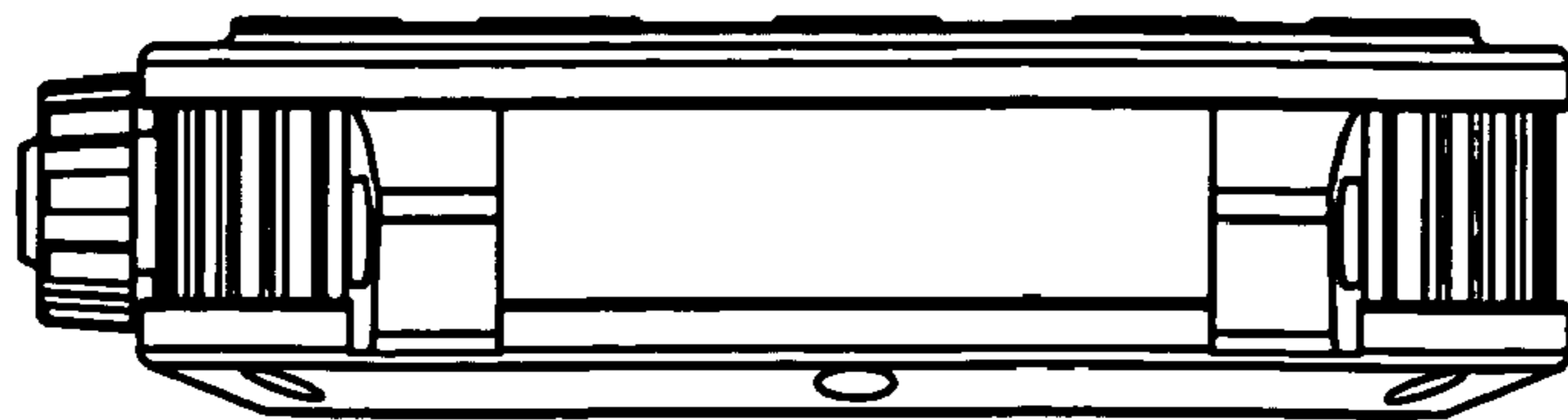


FIG. 7