



US00D643311S

(12) **United States Design Patent**
Meyers

(10) **Patent No.:** **US D643,311 S**

(45) **Date of Patent:** **** Aug. 16, 2011**

(54) **CONTAINER FOR PREPACKAGED PET MEALS**

(76) **Inventor:** **Alexander George Meyers**, Phoenix, AZ (US)

(**) **Term:** **14 Years**

(21) **Appl. No.:** **29/378,950**

(22) **Filed:** **Nov. 11, 2010**

(51) **LOC (9) Cl.** **09-03**

(52) **U.S. Cl.** **D9/761; D9/756**

(58) **Field of Classification Search** D9/414, D9/415, 418, 420, 422, 423, 424, 425, 759, D9/737, 761, 756; D7/602, 538, 629; D3/294; 229/406, 904; 206/495, 776, 806, 459.5, 206/44 R, 45.31, 45.34, 461, 469, 471; 220/287, 220/835, 839, 23.83, 500, 556, 557, 662, 220/669, 675, 23.2, 23.8, 376, 377, 380, 220/521, 657

See application file for complete search history.

D494,463 S *	8/2004	Tsao	D9/761
D527,626 S *	9/2006	Weiss et al.	D9/425
D530,625 S *	10/2006	Darin	D9/761
D531,054 S *	10/2006	Sagel	D9/737
D535,195 S *	1/2007	Schwab	D9/756
D557,047 S *	12/2007	Dretzka	D6/510
D586,652 S *	2/2009	Wallach	D9/425
D596,903 S *	7/2009	Willis et al.	D7/553.2
7,703,631 B2 *	4/2010	Chafe et al.	220/570
D625,994 S *	10/2010	Krupa	D9/424
D633,341 S *	3/2011	Smyers	D7/555
2002/0083900 A1	7/2002	Williams		
2003/0026876 A1	2/2003	Albuja		
2004/0089583 A1	5/2004	Coleman		
2006/0151339 A1	7/2006	Bradley et al.		
2009/0186132 A1	7/2009	Mangino et al.		

* cited by examiner

Primary Examiner — Mark Goodwin

(74) *Attorney, Agent, or Firm* — Andrea L. Stone

(57) **CLAIM**

The ornamental design for a container for prepackaged pet meals, as shown and described.

DESCRIPTION

FIG. 1 is a top plan view of the container for prepackaged pet meals, showing my design;

FIG. 2 is a front view of the container of FIG. 1;

FIG. 3 is a right side view of the container of FIG. 1;

FIG. 4 is a left side view of the container of FIG. 1;

FIG. 5 is a rear view of the container of FIG. 1;

FIG. 6 is a bottom plan view of the container of FIG. 1;

FIG. 7 is a top perspective view of the container of FIG. 1; and,

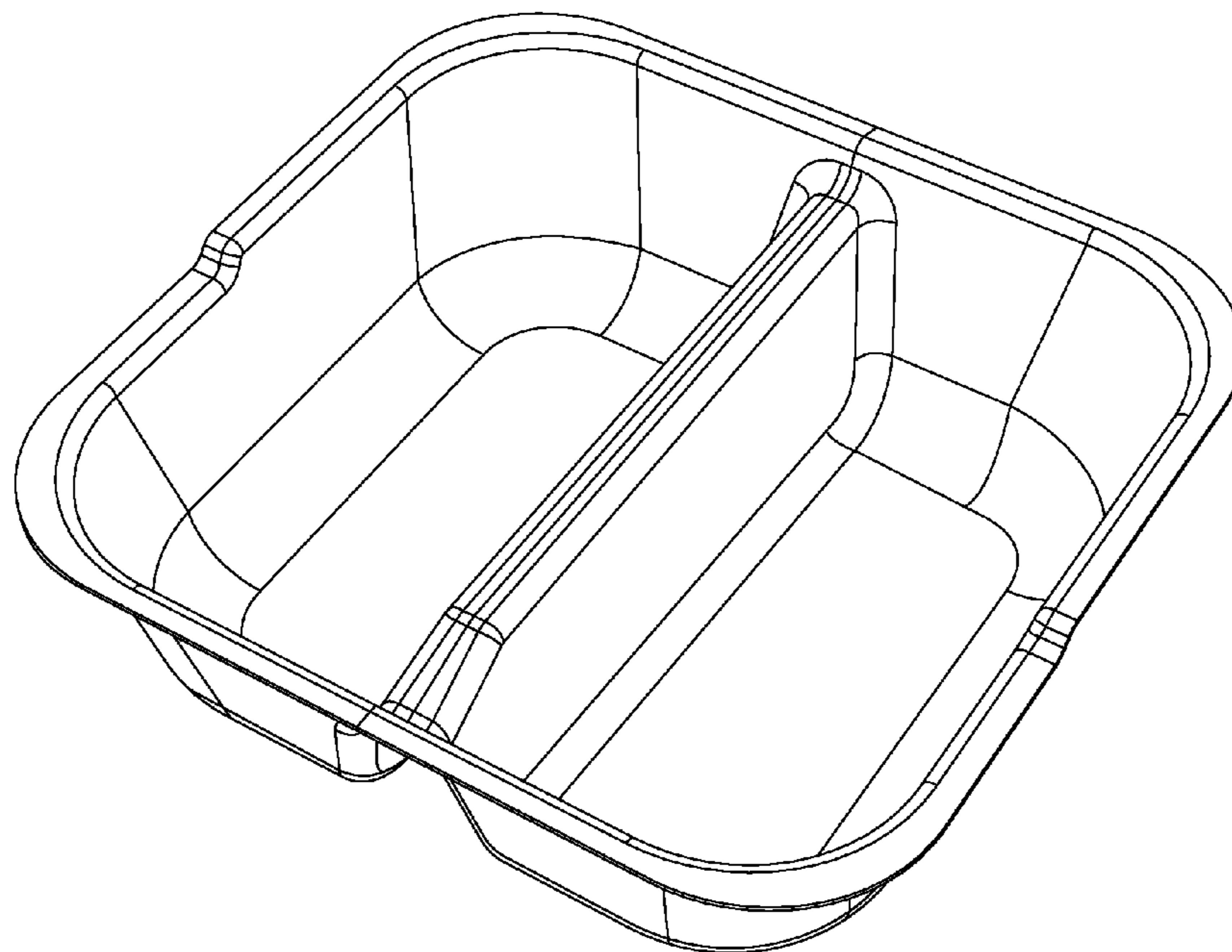
FIG. 8 is a bottom perspective view of the container of FIG. 1.

1 Claim, 8 Drawing Sheets

(56) **References Cited**

U.S. PATENT DOCUMENTS

D204,147 S *	3/1966	Ward, Jr.	D7/541
D224,662 S *	8/1972	Swett et al.	D7/546
D232,302 S *	8/1974	Lazure	D9/761
D301,192 S *	5/1989	DeCoster	D7/555
5,346,710 A	9/1994	Geitner		
D367,172 S *	2/1996	Brightbill et al.	D3/310
5,752,464 A	5/1998	King et al.		
5,947,056 A	9/1999	Zarski		
D417,366 S *	12/1999	Obra	D7/549
D426,751 S *	6/2000	Obra	D7/555
6,568,347 B2	5/2003	Ciguere		
D484,364 S *	12/2003	Bailey et al.	D7/553.2



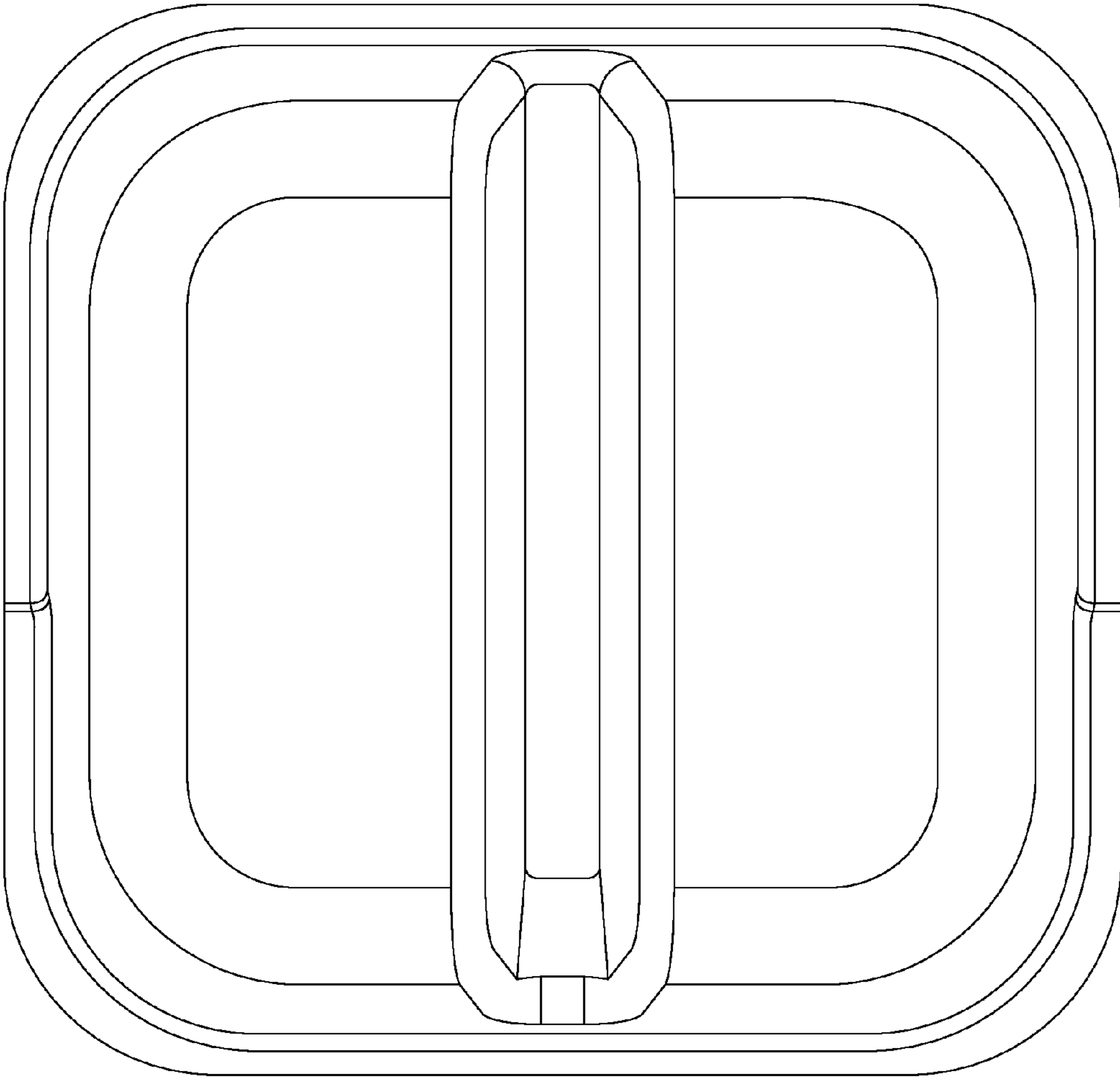


Fig. 1

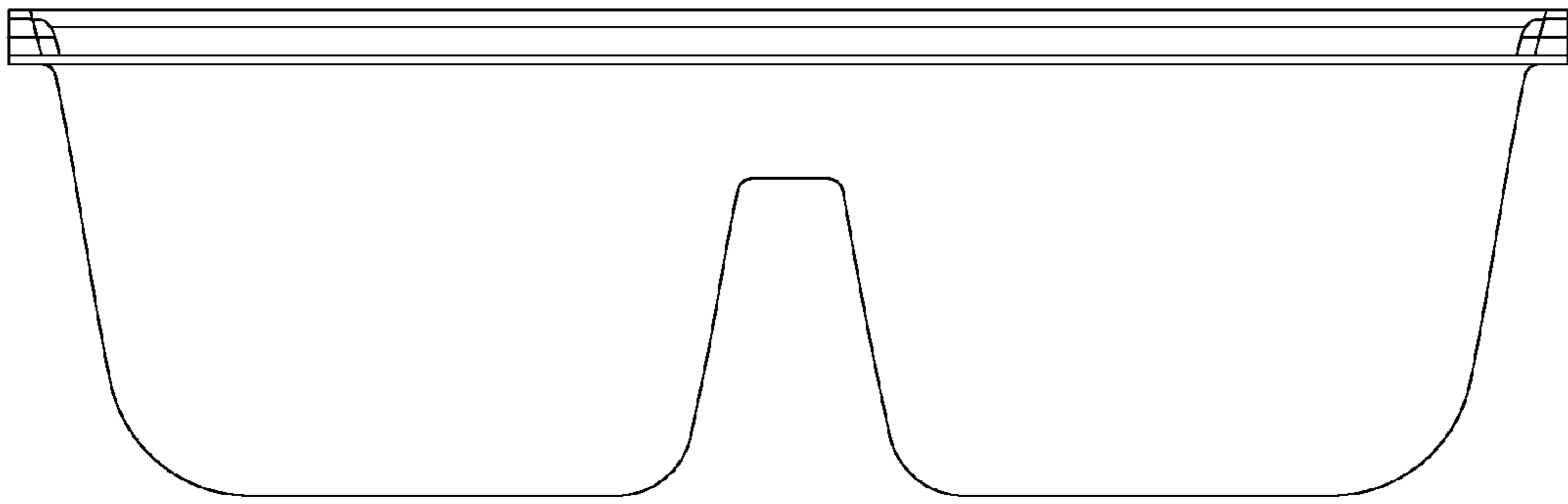


Fig. 2

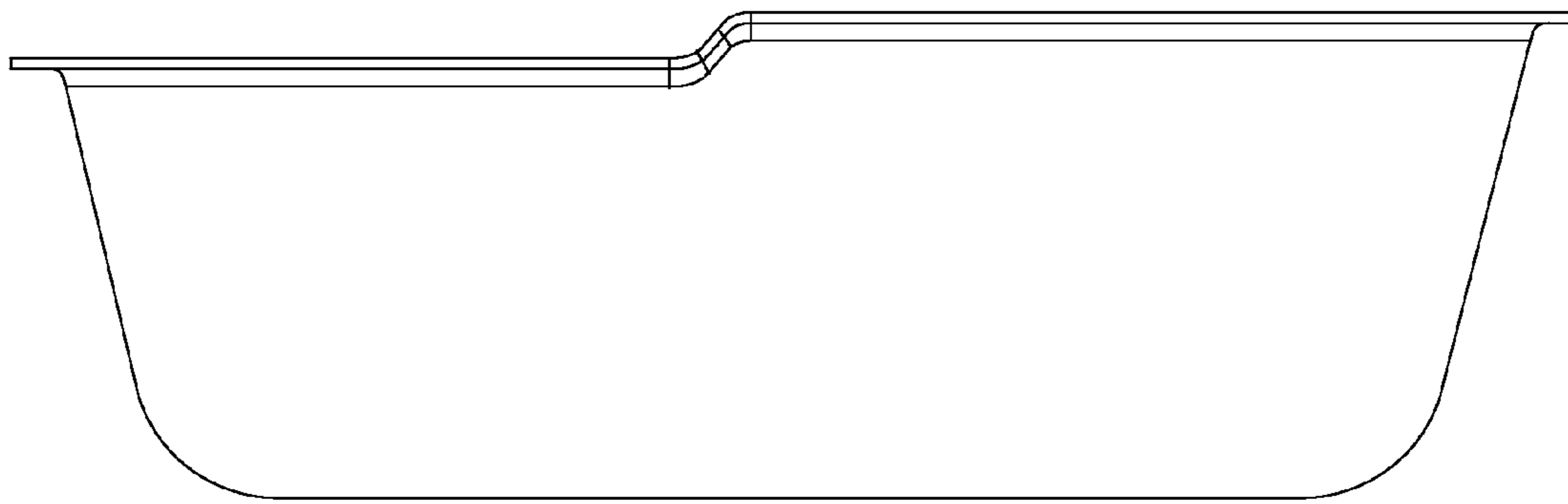


Fig. 3

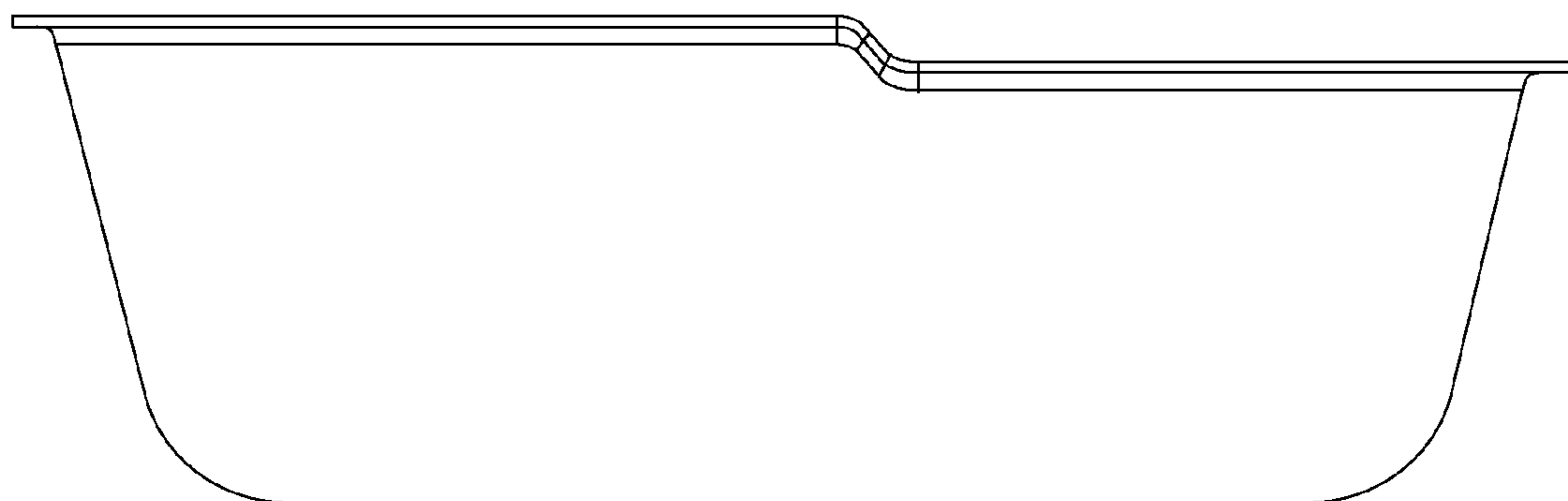


Fig. 4

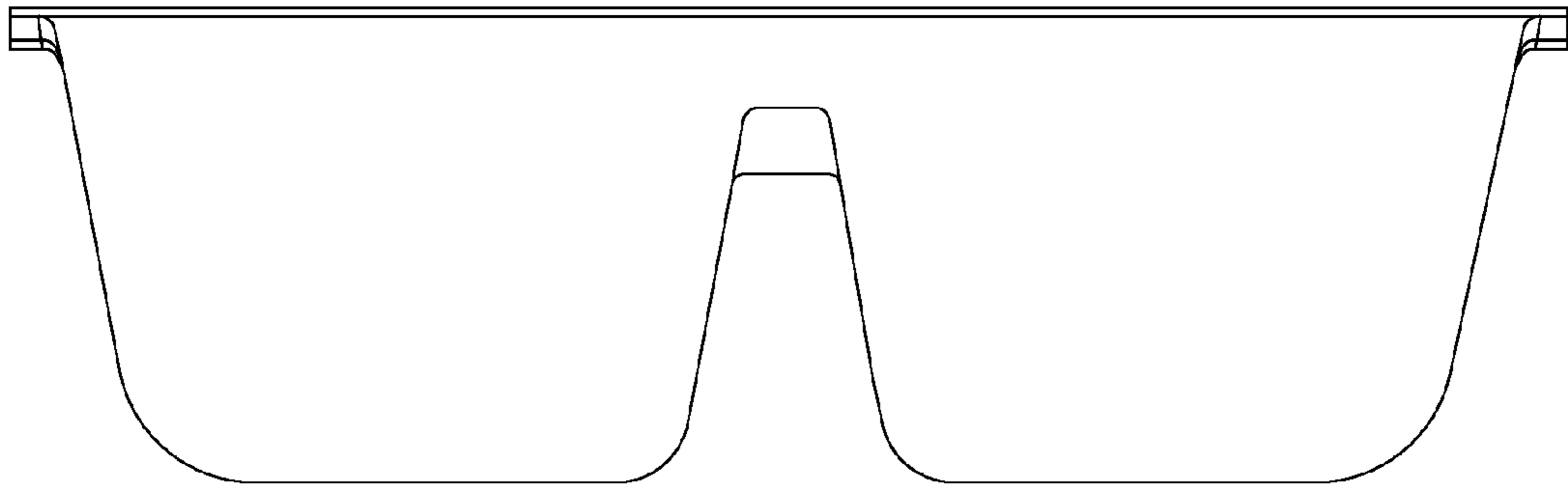


Fig. 5

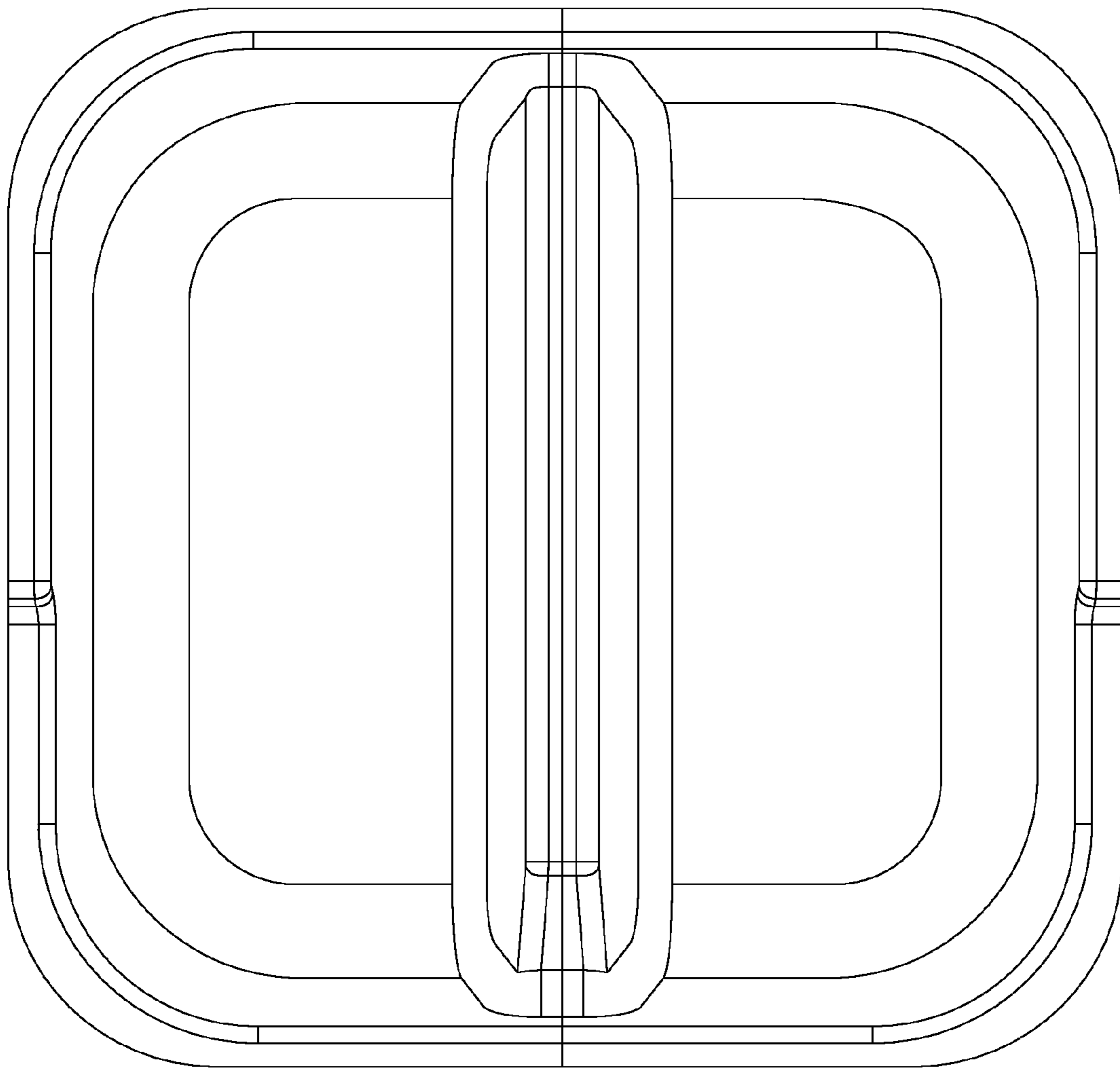


Fig. 6

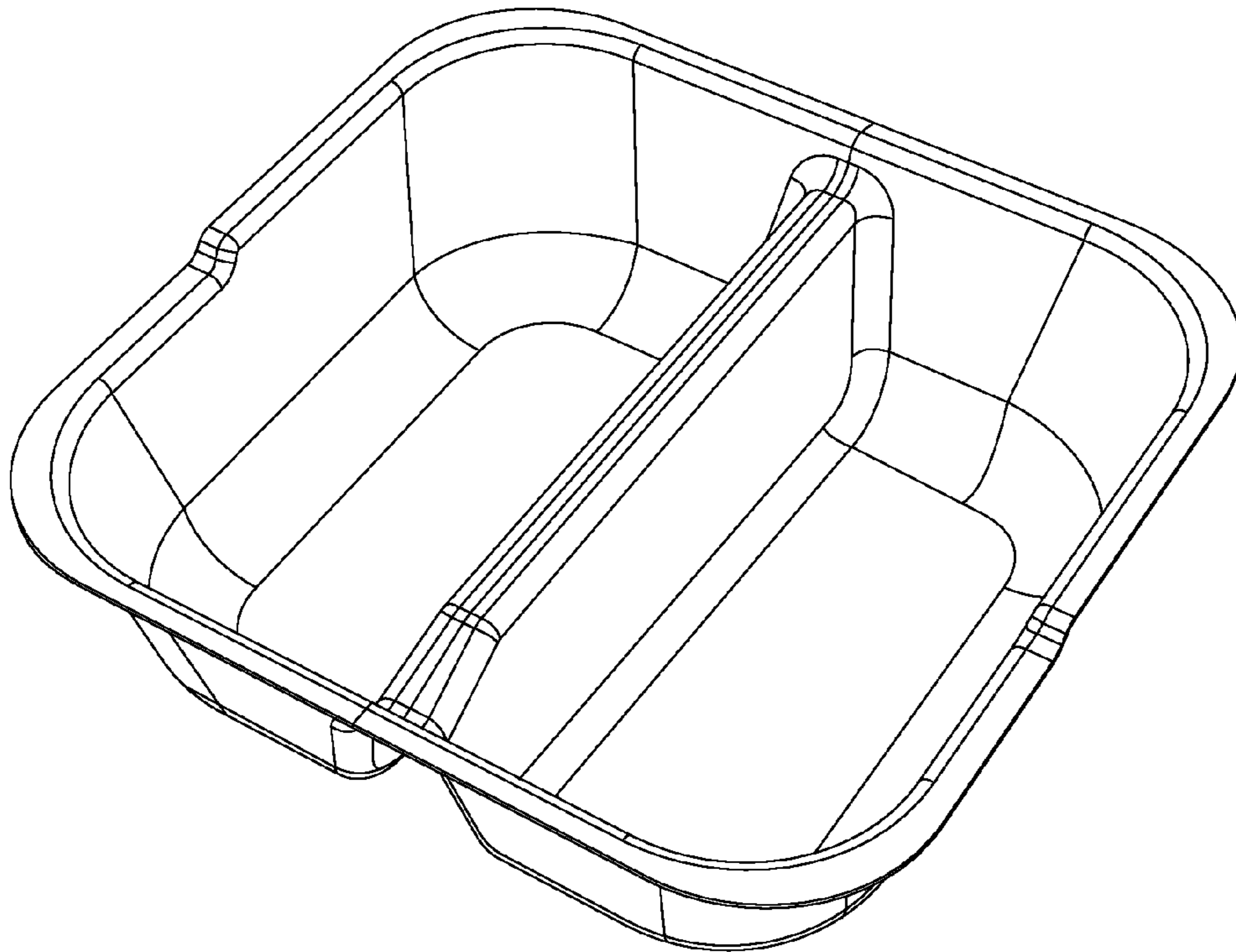


Fig. 7

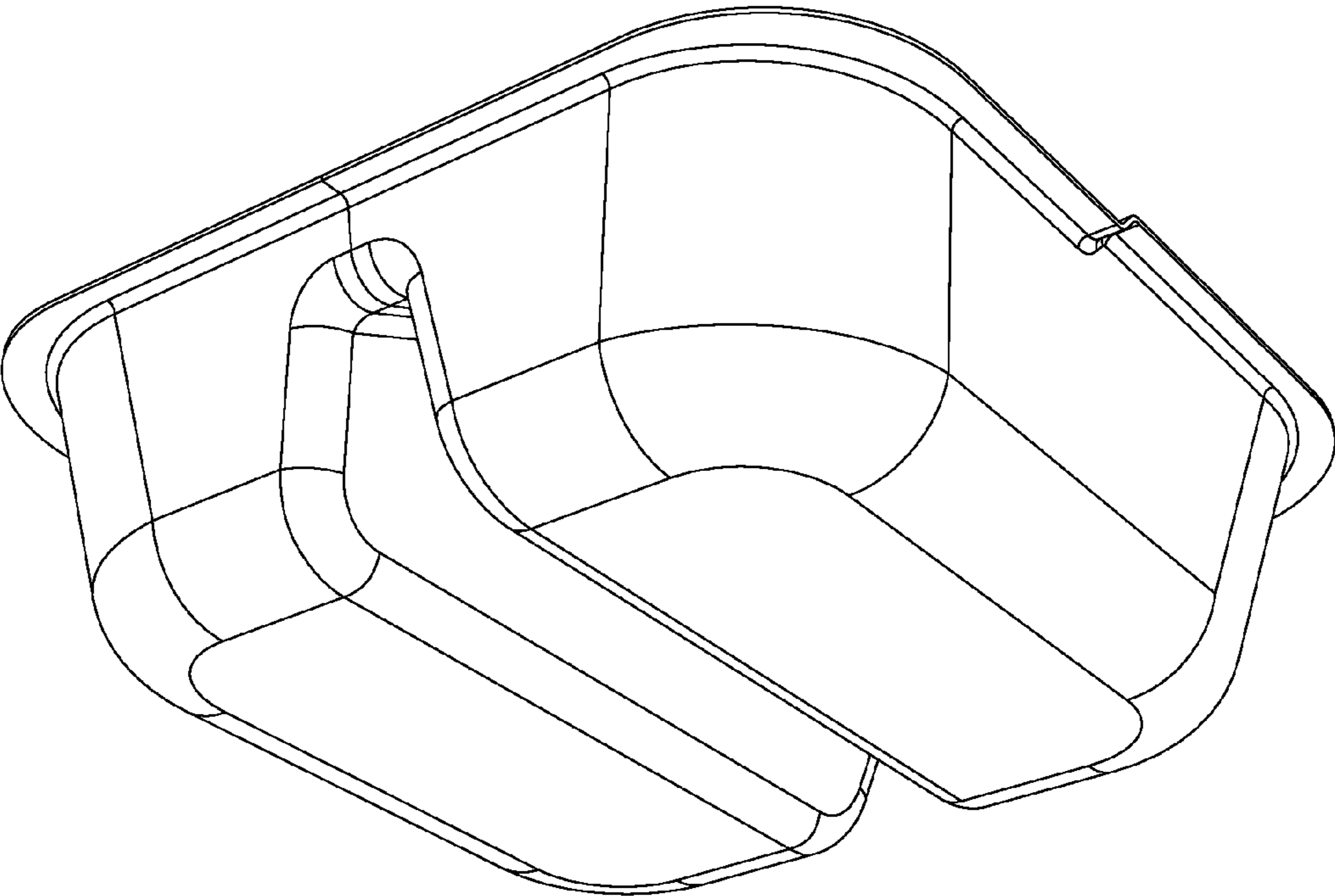


Fig. 8