

US00D643310S

(12) **United States Design Patent**  
**Birchmeier et al.**

(10) **Patent No.:** **US D643,310 S**

(45) **Date of Patent:** **\*\* Aug. 16, 2011**

(54) **CONTAINER**

(75) Inventors: **Kathryn Marie Birchmeier**, Glenview, IL (US); **Paul Andrew Cogley**, Gurnee, IL (US); **Noriko Sakamoto**, Tokyo (JP); **Koji Otsuka**, Tokyo (JP); **Takashi Kado**, Tokyo (JP)

(73) Assignees: **Kraft Foods Global Brands LLC**, Northfield, IL (US); **Dai Nippon Printing Co., Ltd.** (JP)

(\*\*) Term: **14 Years**

(21) Appl. No.: **29/362,062**

(22) Filed: **May 19, 2010**

(30) **Foreign Application Priority Data**

Nov. 19, 2009 (JP) ..... 2009-264154  
Nov. 25, 2009 (JP) ..... 2009-027429

(51) **LOC (9) Cl.** ..... **09-03**

(52) **U.S. Cl.** ..... **D9/760; D9/425**

(58) **Field of Classification Search** ..... D9/758-761,  
D9/756, 737, 418, 425, 426, 428, 429-432;  
D7/550, 555, 602, 560-562; D3/323, 313;  
220/555-557; 426/108

See application file for complete search history.

(56) **References Cited**

**U.S. PATENT DOCUMENTS**

3,561,158 A \* 2/1971 Marcan ..... 47/87  
D379,301 S 5/1997 Lippincott  
D381,264 S 7/1997 Lippincott  
D387,272 S 12/1997 Lippincott  
5,695,798 A \* 12/1997 Rozzano ..... 426/115  
D417,785 S \* 12/1999 Daniels ..... D3/313  
D443,510 S 6/2001 Doucette  
D446,719 S 8/2001 Garraway  
D471,766 S 3/2003 Bradley et al.

D484,797 S \* 1/2004 Kipperman et al. .... D9/424  
D494,857 S \* 8/2004 Chen et al. .... D9/759  
D499,645 S \* 12/2004 Edwards ..... D9/429  
D513,979 S \* 1/2006 Snedden et al. .... D9/425  
D514,438 S \* 2/2006 Snedden et al. .... D9/425  
D514,439 S \* 2/2006 Snedden et al. .... D9/425  
D514,440 S \* 2/2006 Snedden et al. .... D9/425  
D514,441 S \* 2/2006 Snedden et al. .... D9/425  
D514,929 S \* 2/2006 Snedden et al. .... D9/425  
D514,930 S \* 2/2006 Snedden et al. .... D9/425  
D514,931 S \* 2/2006 Snedden et al. .... D9/425  
D522,355 S 6/2006 Castellanos et al.  
D527,626 S \* 9/2006 Weiss et al. .... D9/425  
D528,014 S 9/2006 Cutts et al.  
D528,412 S \* 9/2006 Snedden et al. .... D9/432

(Continued)

**FOREIGN PATENT DOCUMENTS**

JP 61-45376 U 3/1986

(Continued)

*Primary Examiner* — Mark Goodwin

(74) *Attorney, Agent, or Firm* — Fitch, Even, Tabin & Flannery

(57) **CLAIM**

We claim the ornamental design for a container, as shown and described.

**DESCRIPTION**

FIG. 1 is a top perspective view of a container showing our new design;

FIG. 2 is a top plan view of the container of FIG. 1;

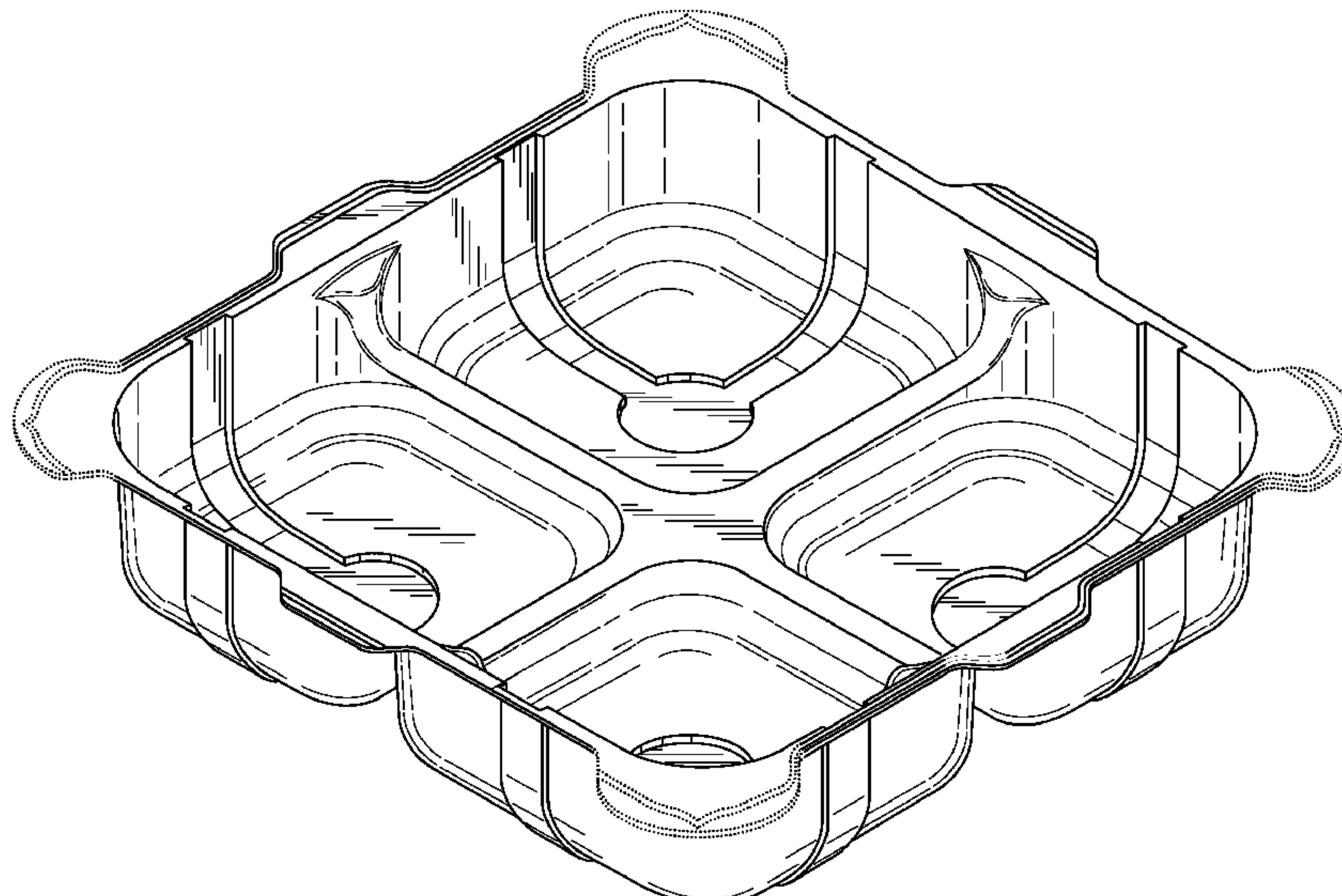
FIG. 3 is a bottom plan view of the container of FIG. 1;

FIG. 4 is front elevational view of the container of FIG. 1, the back elevational view being identical thereto; and,

FIG. 5 is a left side elevational view of the container of FIG. 1, the right side elevational view being identical thereto.

The broken lines shown in the drawings illustrate environmental structure and form no part of the claimed design.

**1 Claim, 3 Drawing Sheets**



# US D643,310 S

Page 2

---

## U.S. PATENT DOCUMENTS

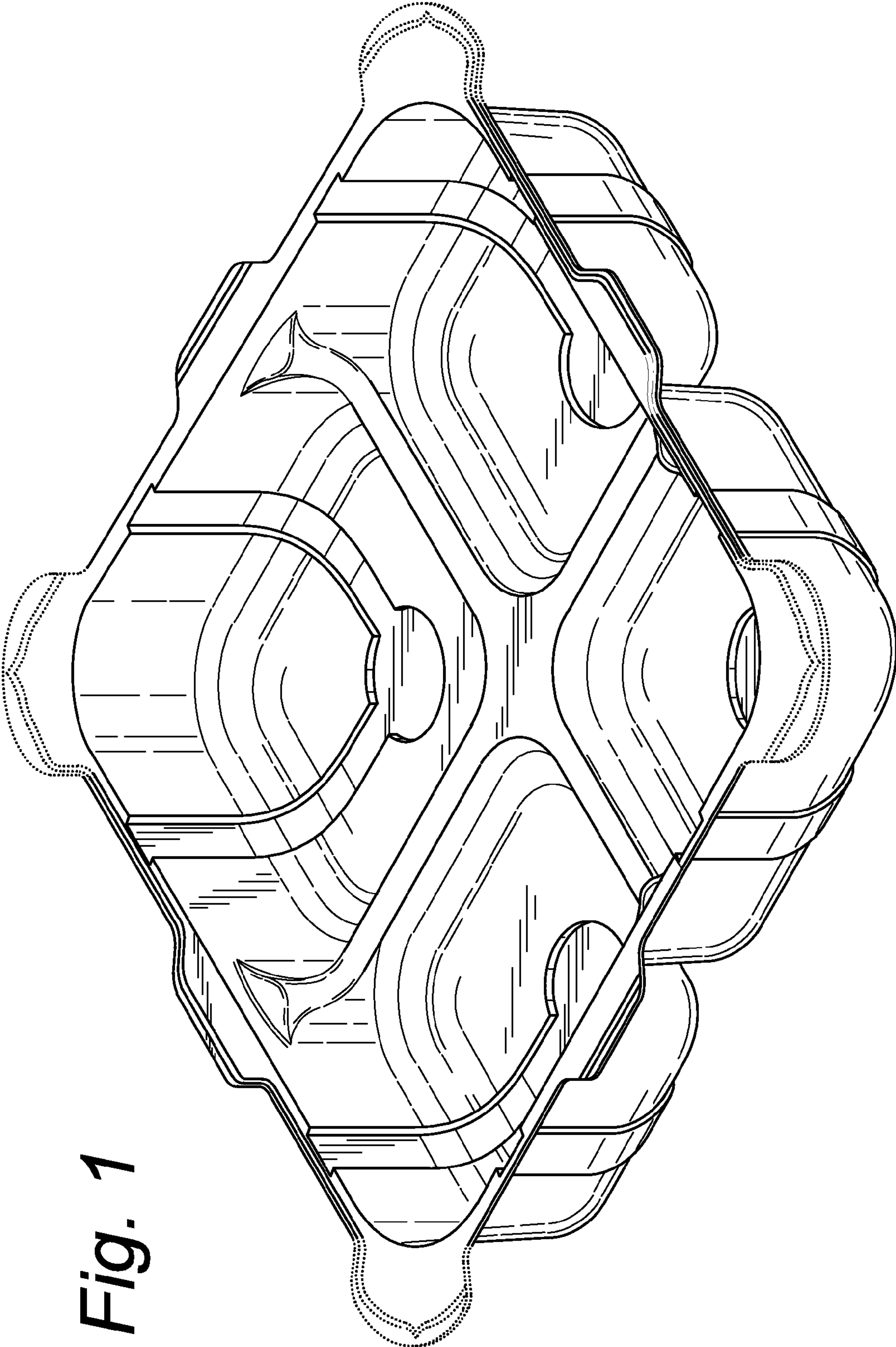
D531,024 S 10/2006 Feldmeier  
D544,790 S \* 6/2007 Bouveret et al. .... D9/428  
D553,010 S 10/2007 Cutts et al.  
D555,475 S \* 11/2007 Enriquez et al. .... D9/737  
D567,672 S \* 4/2008 Sheu ..... D9/758  
D579,769 S 11/2008 Lipinski et al.  
D591,174 S \* 4/2009 Larson ..... D9/761  
D597,831 S 8/2009 Clark et al.  
D601,040 S \* 9/2009 Vovan et al. .... D9/760

D628,449 S \* 12/2010 Kulzer ..... D7/701  
D628,450 S \* 12/2010 Kulzer ..... D7/701  
2007/0092611 A1 4/2007 Hinze et al.  
2008/0254170 A1 10/2008 Darin

## FOREIGN PATENT DOCUMENTS

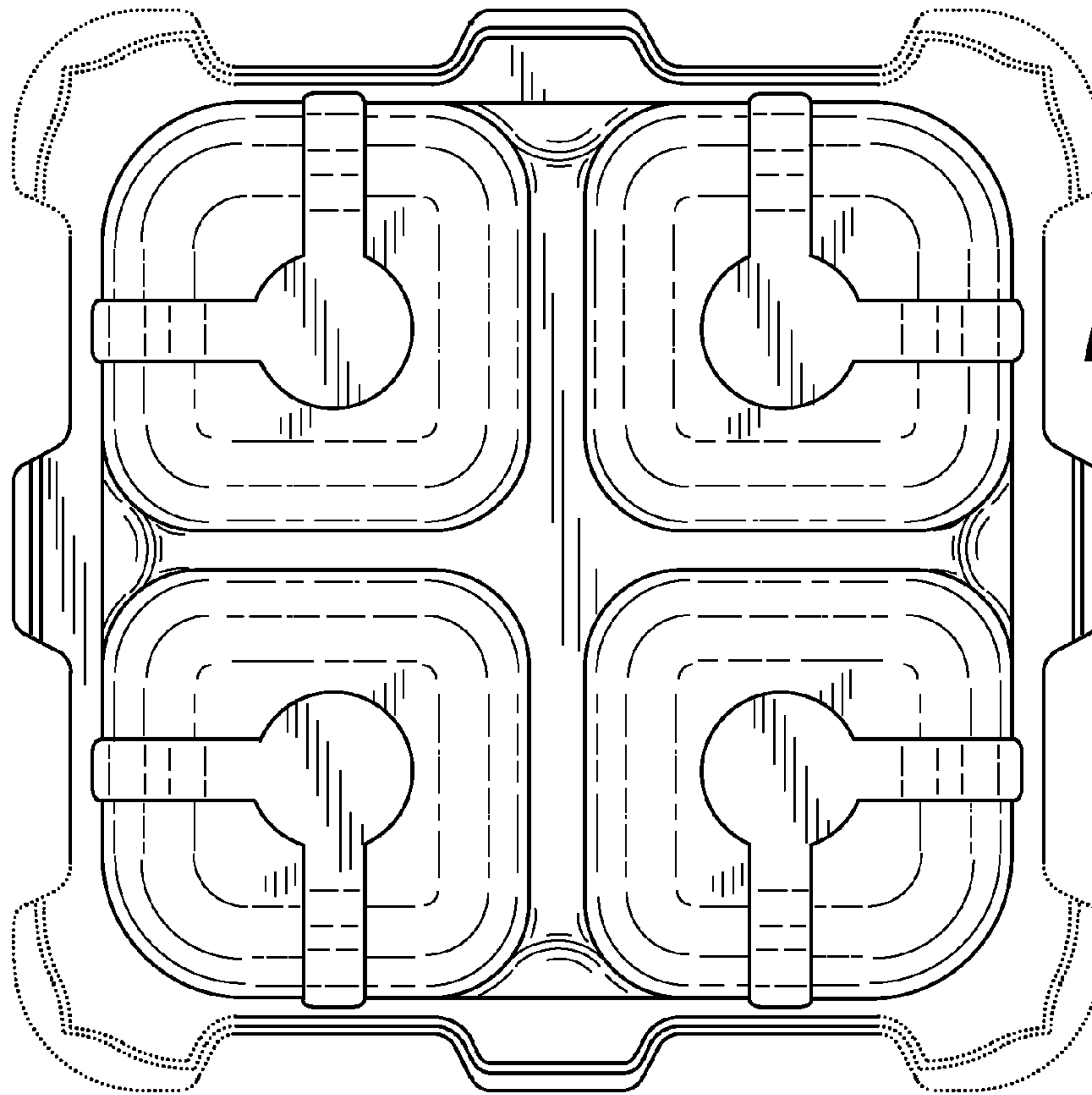
JP D1152354 S 9/2002  
JP D1172521 S 5/2003  
KR 3019940003024 3/1995

\* cited by examiner

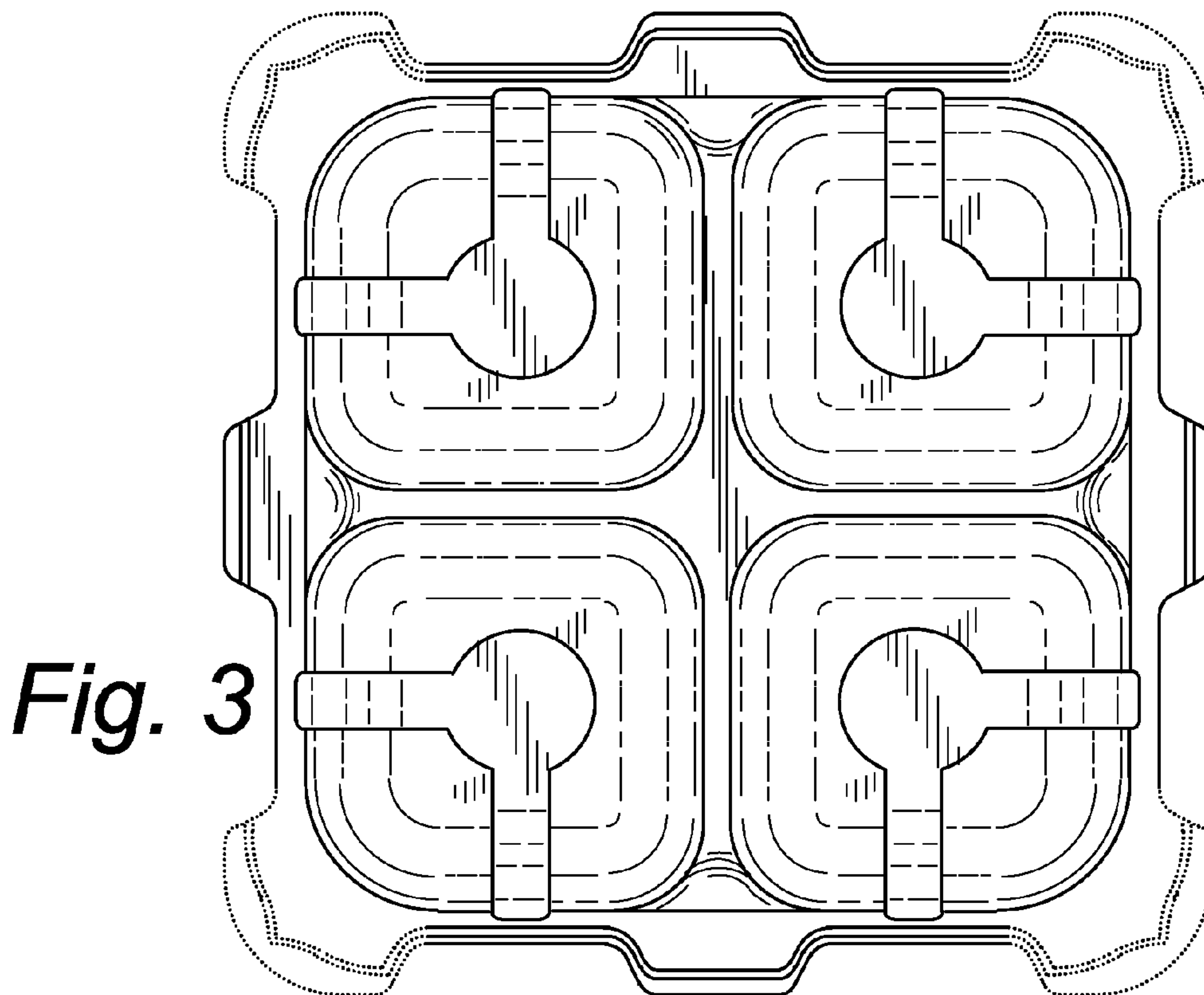


**Fig. 1**

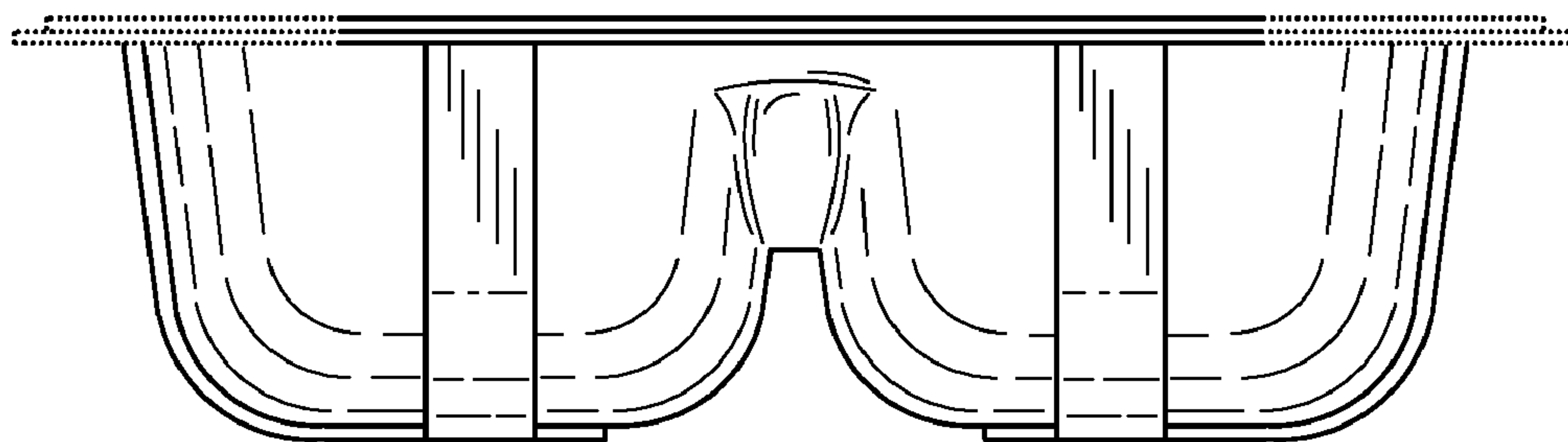




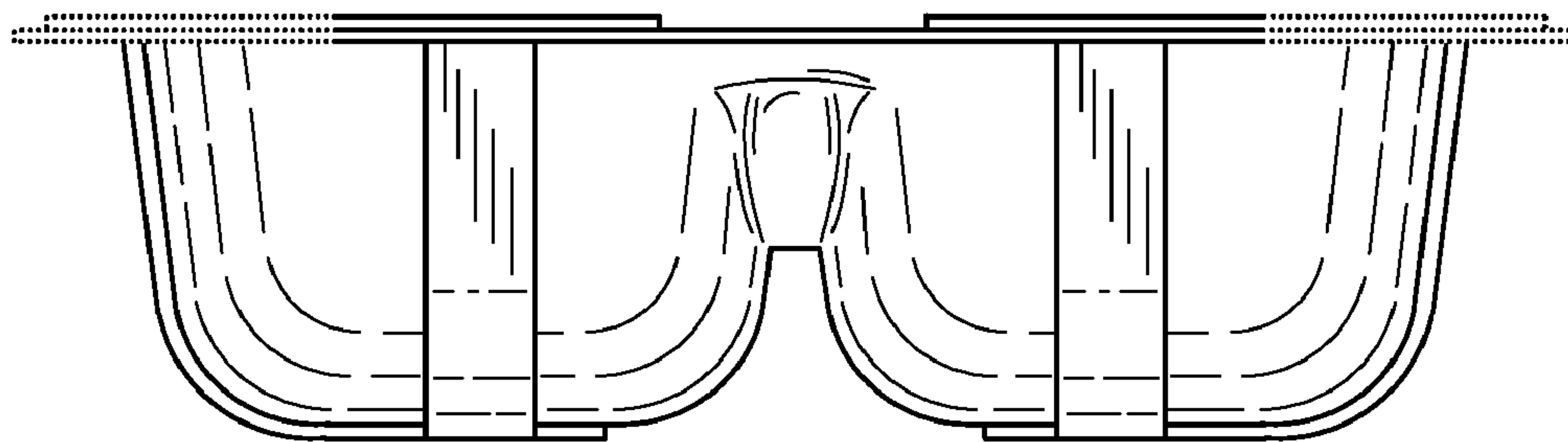
*Fig. 2*



*Fig. 3*



*Fig. 4*



*Fig. 5*