



US00D643309S

(12) **United States Design Patent**
Birchmeier et al.

(10) **Patent No.:** **US D643,309 S**

(45) **Date of Patent:** **** Aug. 16, 2011**

(54) **CONTAINER**

(75) Inventors: **Kathryn Marie Birchmeier**, Glenview, IL (US); **Paul Andrew Cogley**, Gurnee, IL (US); **Noriko Sakamoto**, Tokyo (JP); **Koji Otsuka**, Tokyo (JP); **Takashi Kado**, Tokyo (JP)

(73) Assignees: **Kraft Foods Global Brands LLC**, Northfield, IL (US); **Dai Nippon Printing Co., Ltd.** (JP)

(**) Term: **14 Years**

(21) Appl. No.: **29/362,048**

(22) Filed: **May 19, 2010**

(30) **Foreign Application Priority Data**

Nov. 25, 2009 (JP) 2009-027425
Nov. 25, 2009 (JP) 2009-027426
Nov. 25, 2009 (JP) 2009-027430

(51) **LOC (9) Cl.** **09-03**

(52) **U.S. Cl.** **D9/759; D9/425**

(58) **Field of Classification Search** D9/414,
D9/415, 418, 420, 422, 423, 424, 425, 759,
D9/737, 761, 756; D7/602, 538, 629; D3/294;
229/406, 904; 206/495, 776, 806, 459.5,
206/44 R, 45.31, 45.34, 461, 469, 471; 220/287,
220/835, 839, 23.83, 500, 556, 557, 662,
220/669, 675, 23.2, 23.8, 376, 377, 380,
220/521, 657

See application file for complete search history.

(56) **References Cited**

U.S. PATENT DOCUMENTS

D292,887 S * 11/1987 Schouten D9/424
5,660,302 A * 8/1997 Trout 220/790
D394,985 S * 6/1998 Curtis et al. D7/538
D469,350 S 1/2003 Zettlemoyer et al.
D471,100 S 3/2003 Guzowski

D484,797 S 1/2004 Kipperman et al.
D487,870 S * 3/2004 Stewart et al. D9/782
D494,857 S 8/2004 Chen et al.
6,786,351 B2 * 9/2004 Krueger 220/571
D499,645 S 12/2004 Edwards
D506,926 S 7/2005 Halliday et al.
D513,979 S 1/2006 Snedden et al.
D514,438 S 2/2006 Snedden et al.
D514,439 S 2/2006 Snedden et al.
D514,440 S 2/2006 Snedden et al.
D514,441 S 2/2006 Snedden et al.
D514,929 S 2/2006 Snedden et al.
D514,930 S 2/2006 Snedden et al.
D514,931 S 2/2006 Snedden et al.
D514,952 S * 2/2006 Zerfas D9/737
D517,405 S * 3/2006 Snedden et al. D9/425

(Continued)

FOREIGN PATENT DOCUMENTS

JP 61-51356 U * 4/1986

(Continued)

Primary Examiner — Mark Goodwin

(74) *Attorney, Agent, or Firm* — Fitch, Even, Tabin & Flannery

(57) **CLAIM**

We claim the ornamental design for a container, as shown and described.

DESCRIPTION

FIG. 1 is a perspective view of a container showing our new design;

FIG. 2 is a top plan view thereof;

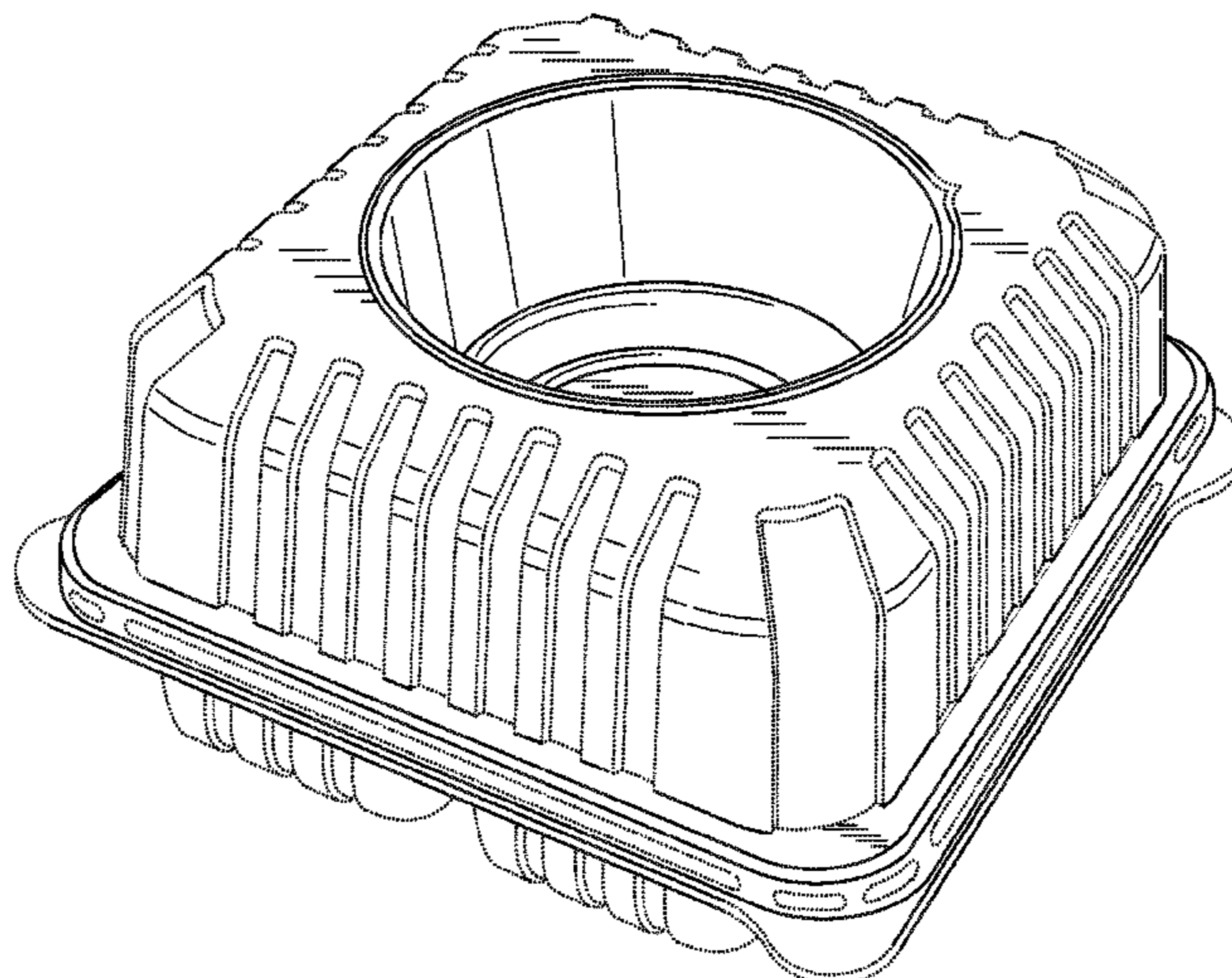
FIG. 3 is a bottom plan view thereof;

FIG. 4 is a front elevational view thereof, the rear elevational view being identical thereto; and,

FIG. 5 is a left side elevational view thereof, the right side elevational view being identical thereto.

The broken lines shown in the drawings illustrate environmental structure and form no part of the claimed design.

1 Claim, 3 Drawing Sheets



US D643,309 S

Page 2

U.S. PATENT DOCUMENTS

D527,626 S 9/2006 Weiss et al.
D528,412 S 9/2006 Snedden et al.
D533,075 S * 12/2006 Snedden et al. D9/717
D544,790 S 6/2007 Bouveret et al.
D558,045 S * 12/2007 Templeton D9/420
D587,108 S 2/2009 Maslowski
7,607,551 B2 * 10/2009 Coughlin et al. 220/254.7
D611,807 S * 3/2010 Miga, Jr. D9/424
D627,218 S * 11/2010 Golota et al. D9/424

D634,188 S * 3/2011 Sellari et al. D9/424
2008/0254170 A1 10/2008 Darin
2009/0039076 A1 2/2009 Maslowski et al.
2009/0042705 A1 2/2009 Maslowski et al.

FOREIGN PATENT DOCUMENTS

JP 62-8965 U * 1/1987
JP D1152354 S * 9/2002
KR 3019940003024 3/1995

* cited by examiner

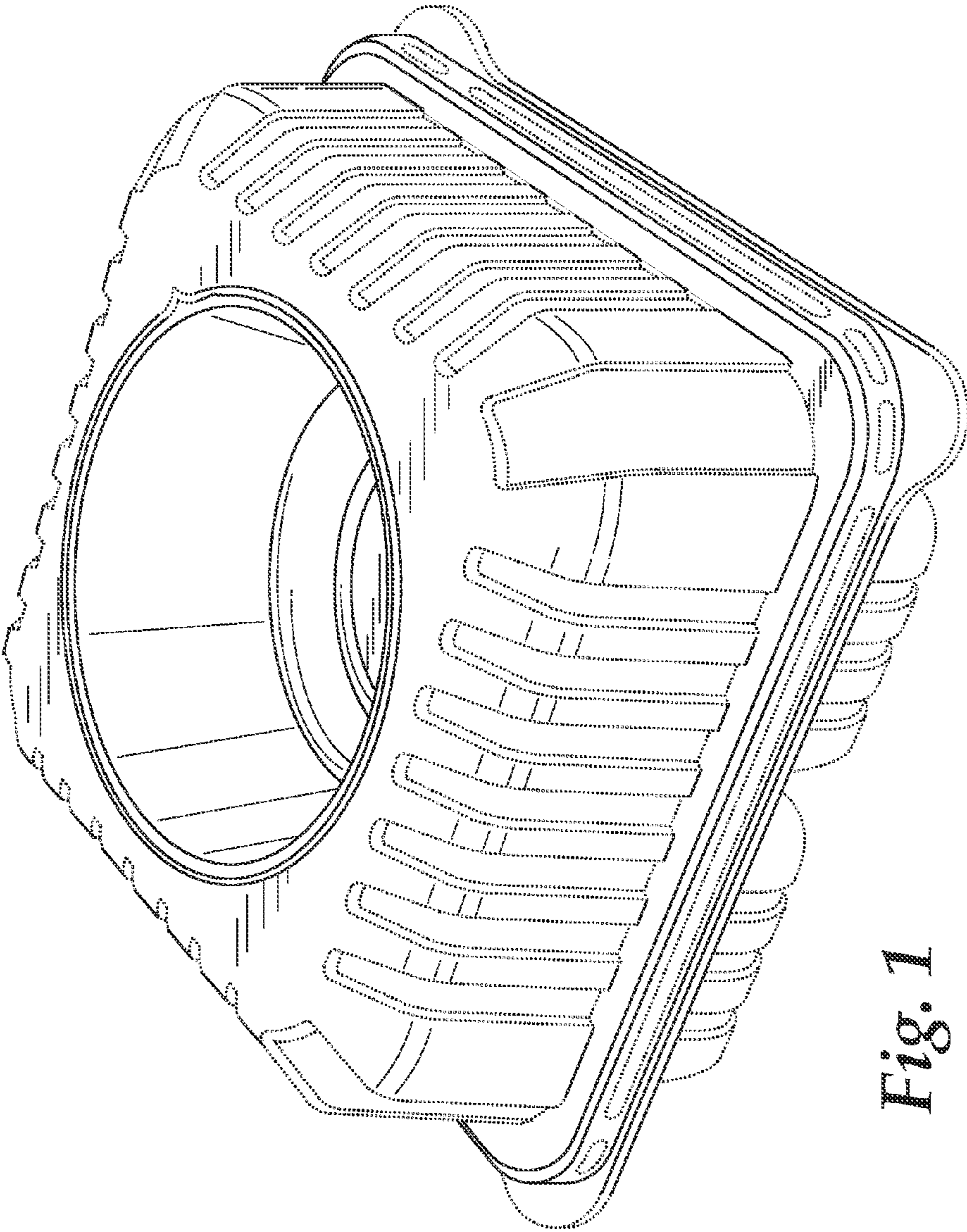


Fig. 1

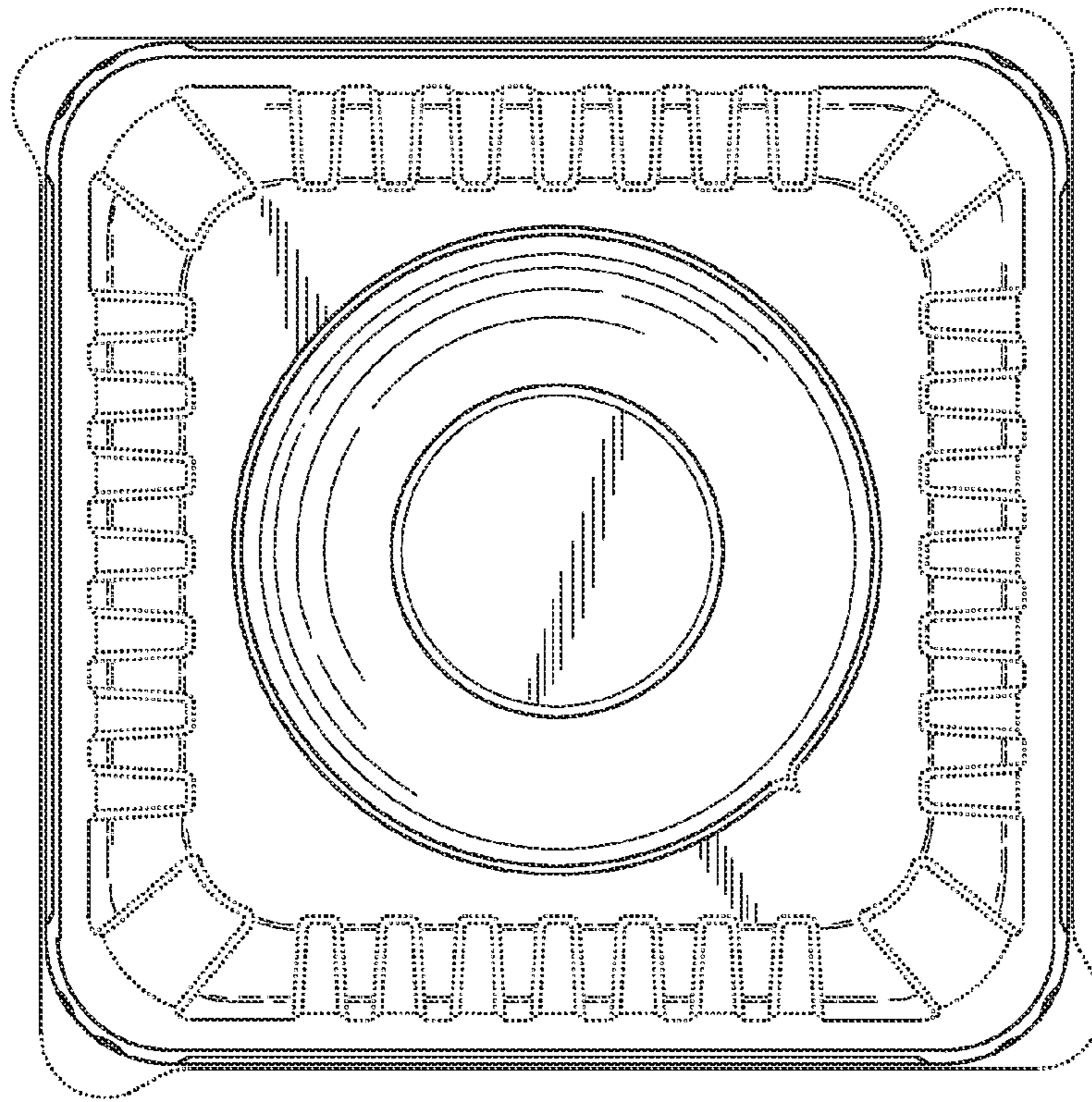


Fig. 2

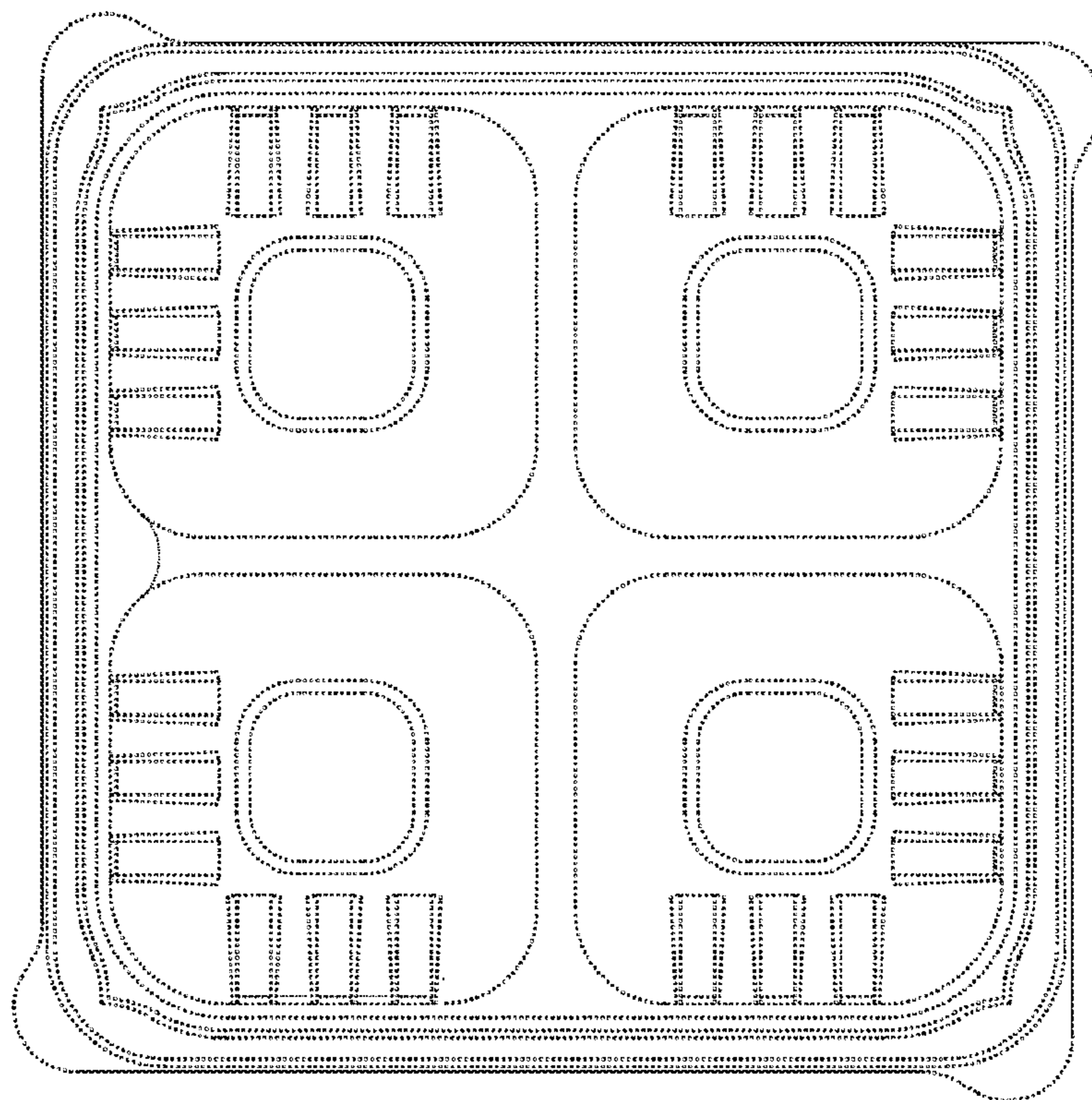


Fig. 3

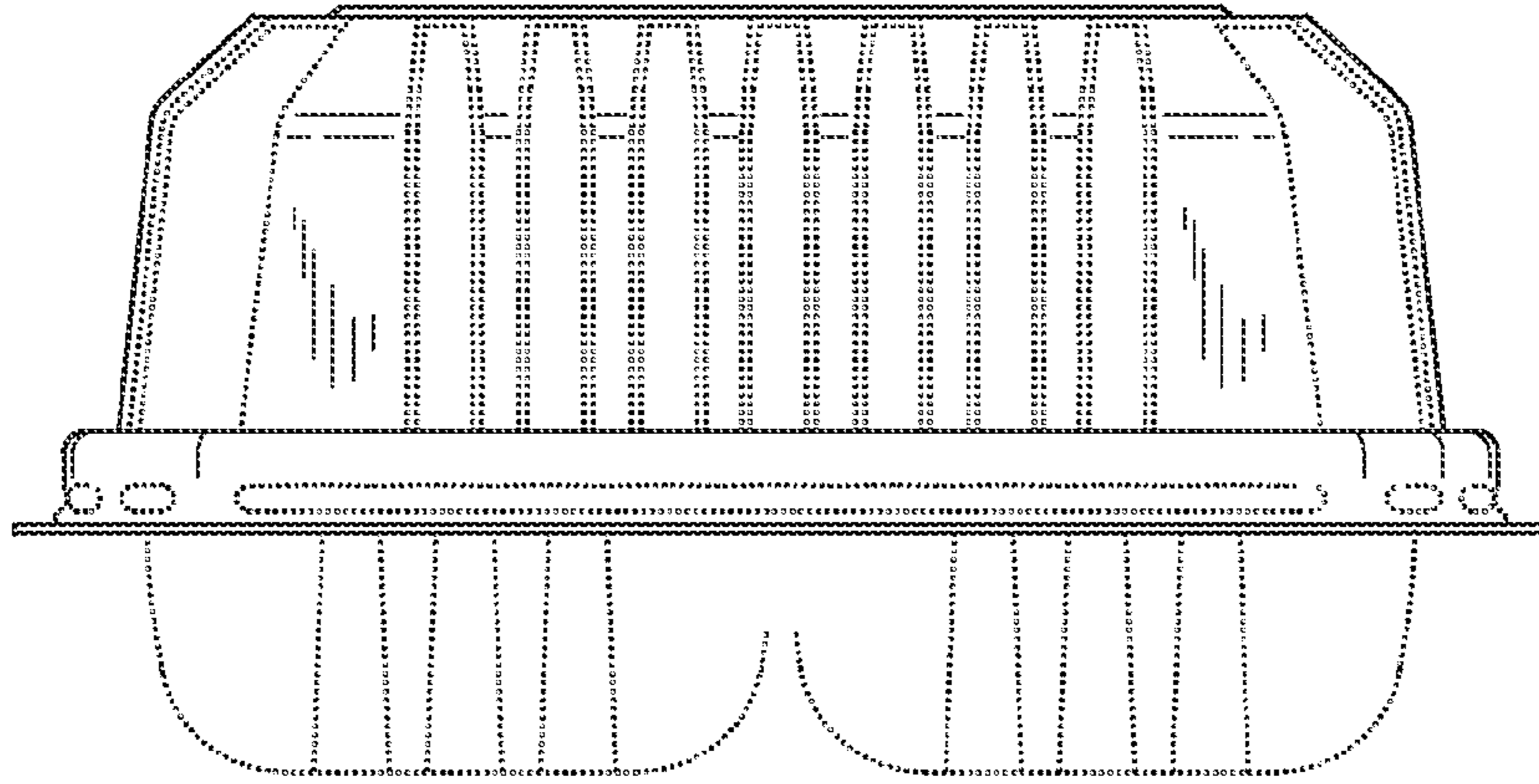


Fig. 4

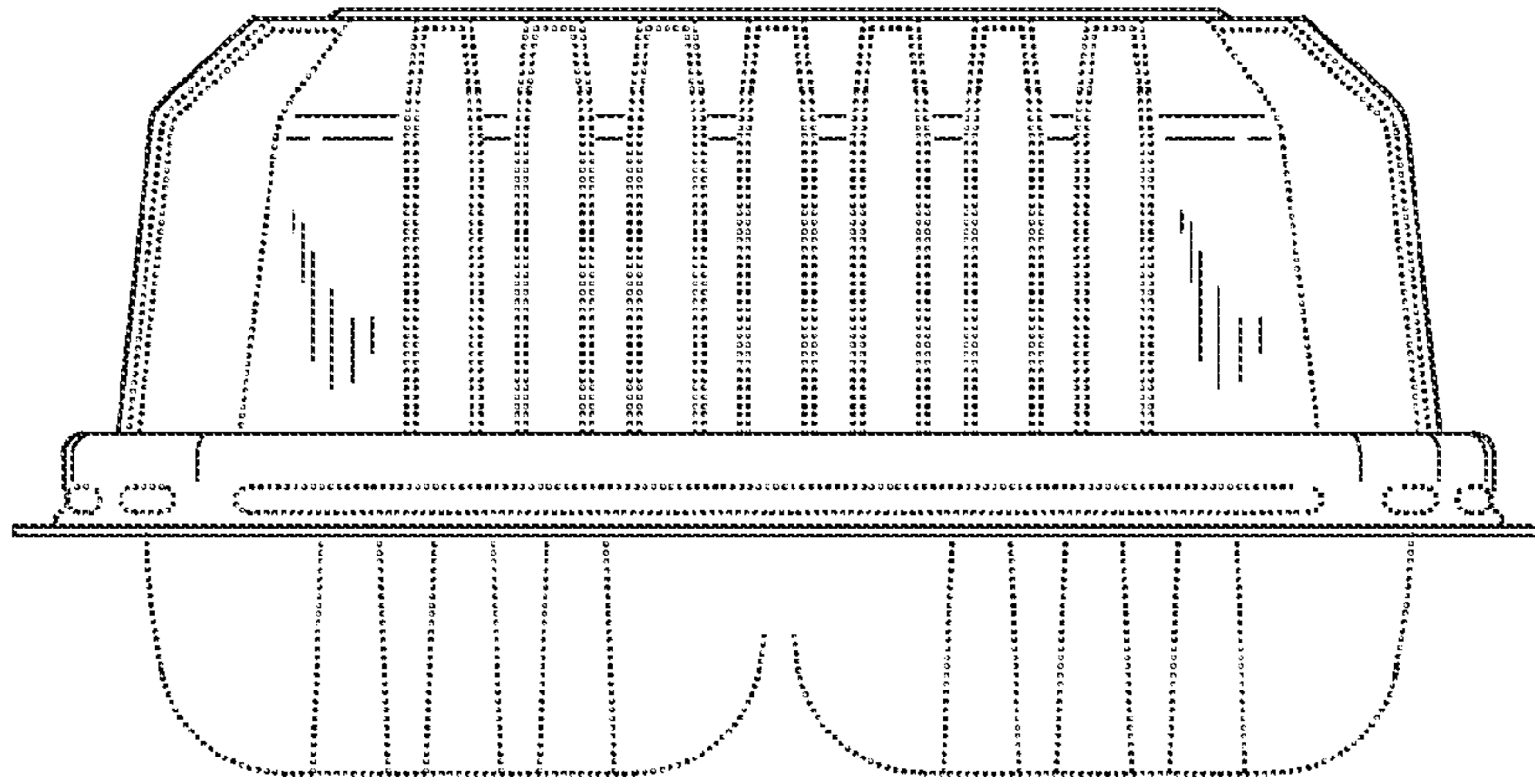


Fig. 5