



US00D643308S

(12) **United States Design Patent**
Bergey

(10) **Patent No.:** **US D643,308 S**

(45) **Date of Patent:** **** Aug. 16, 2011**

(54) **BLISTER PACKAGING**

(75) Inventor: **Michael S. Bergey**, Valencia, CA (US)

(73) Assignee: **MannKind Corporation**, Valencia, CA (US)

(**) Term: **14 Years**

(21) Appl. No.: **29/375,859**

(22) Filed: **Sep. 28, 2010**

(51) **LOC (9) Cl.** **09-01**

(52) **U.S. Cl.** **D9/732**

(58) **Field of Classification Search** D9/414,
D9/415, 418, 430, 432, 433, 730, 732, 737,
D9/756, 757, 758, 761, 762; 220/500; 206/5,
206/5.1, 216, 461, 462, 524.1, 527, 528,
206/531, 532, 538, 539, 546-566; D6/512,
D6/515, 516; D3/201, 203.1, 203.2, 203.3,
D3/264; D21/100, 102, 107, 121, 218

See application file for complete search history.

(56) **References Cited**

U.S. PATENT DOCUMENTS

4,168,002	A *	9/1979	Crosby	206/459.5
D506,680	S *	6/2005	Saelzer	D9/732
D511,977	S *	11/2005	Saelzer	D9/732
D515,924	S *	2/2006	Grant	D9/457
D548,618	S *	8/2007	Ferguson et al.	D9/732

D548,619	S *	8/2007	Ferguson et al.	D9/732
D549,111	S *	8/2007	Ferguson et al.	D9/732
D594,753	S *	6/2009	Eadicicco et al.	D9/732
D597,418	S *	8/2009	Stojek	D9/732
D598,785	S *	8/2009	Stojek	D9/732
D614,045	S *	4/2010	Gaudenzi et al.	D9/732
D628,090	S *	11/2010	Stuiber et al.	D9/732
2009/0134051	A1 *	5/2009	Rapp et al.	206/461

* cited by examiner

Primary Examiner — Thomas Johannes

(74) *Attorney, Agent, or Firm* — K&L Gates LLP; Louis C. Cullman; Brian J. Novak

(57) **CLAIM**

The ornamental design for a blister packaging, as shown and described.

DESCRIPTION

FIG. 1 is a perspective view of a blister packaging showing my new design;

FIG. 2 is a first side elevation view thereof;

FIG. 3 is a second side elevation view thereof;

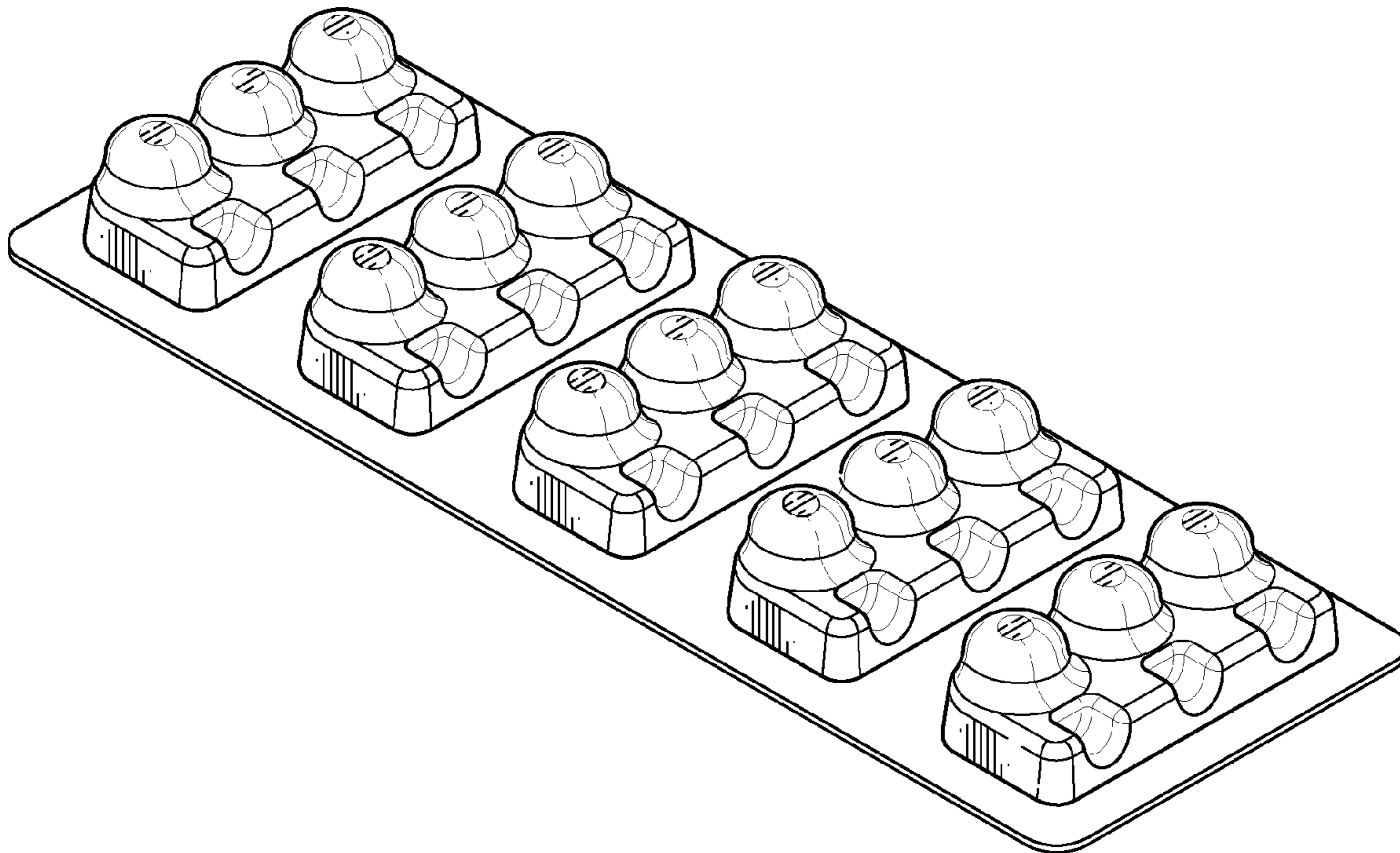
FIG. 4 is a top plan view thereof;

FIG. 5 is a bottom plan view thereof;

FIG. 6 is a front elevation view thereof; and,

FIG. 7 is a back elevation view thereof.

1 Claim, 2 Drawing Sheets



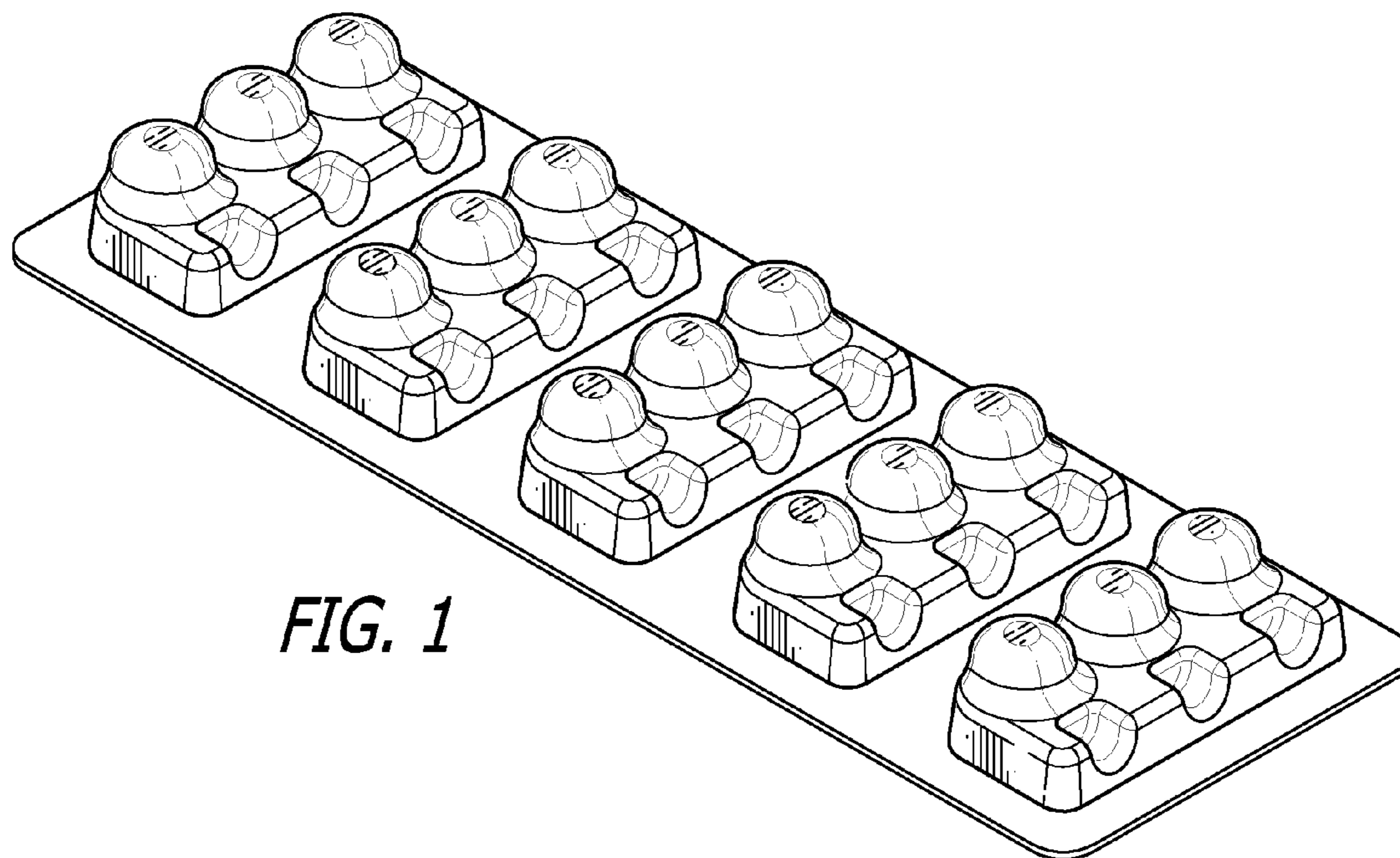


FIG. 2

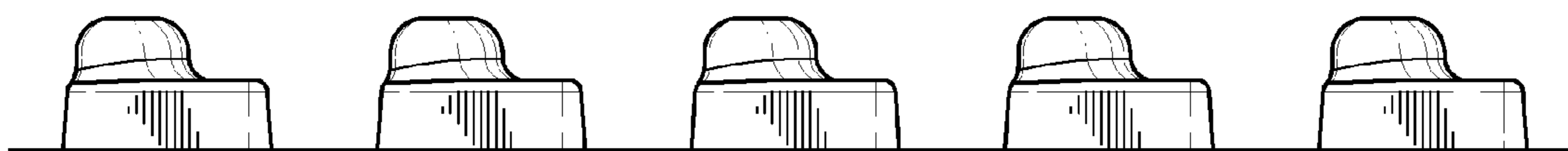


FIG. 3

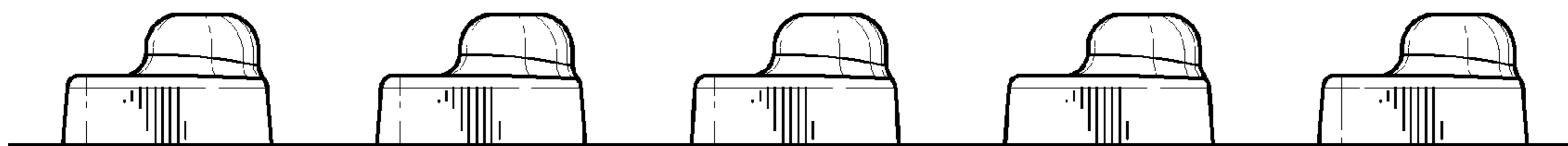


FIG. 4

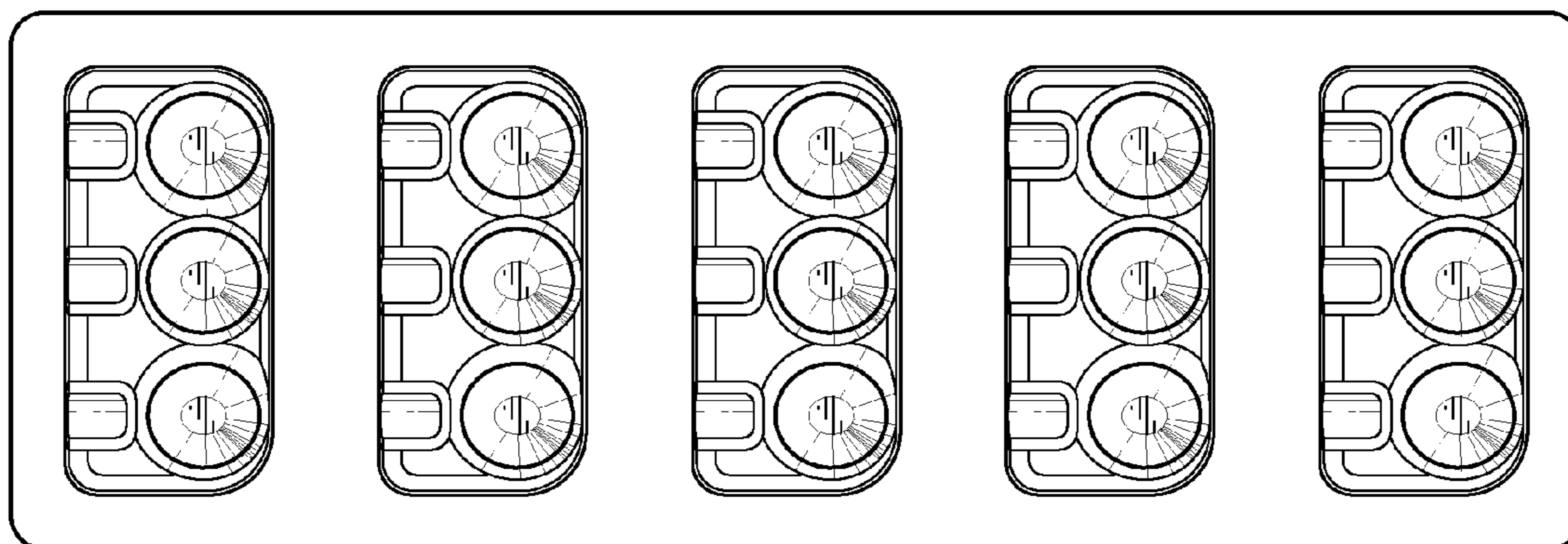


FIG. 5

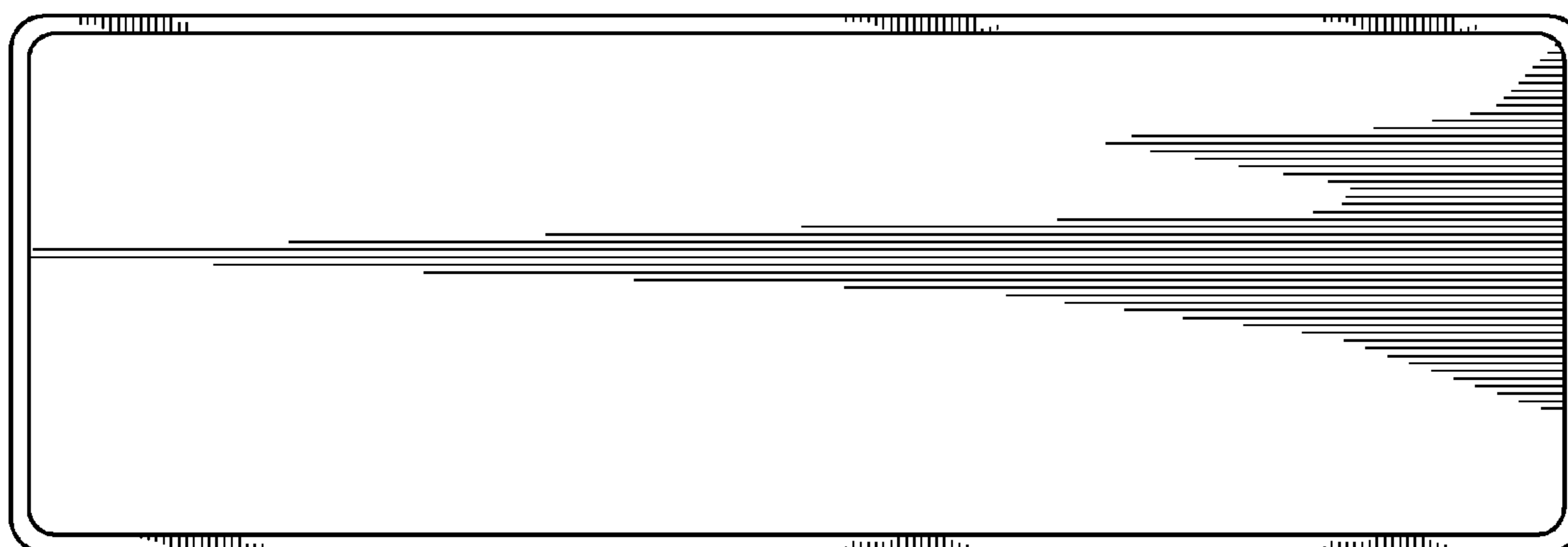


FIG. 6

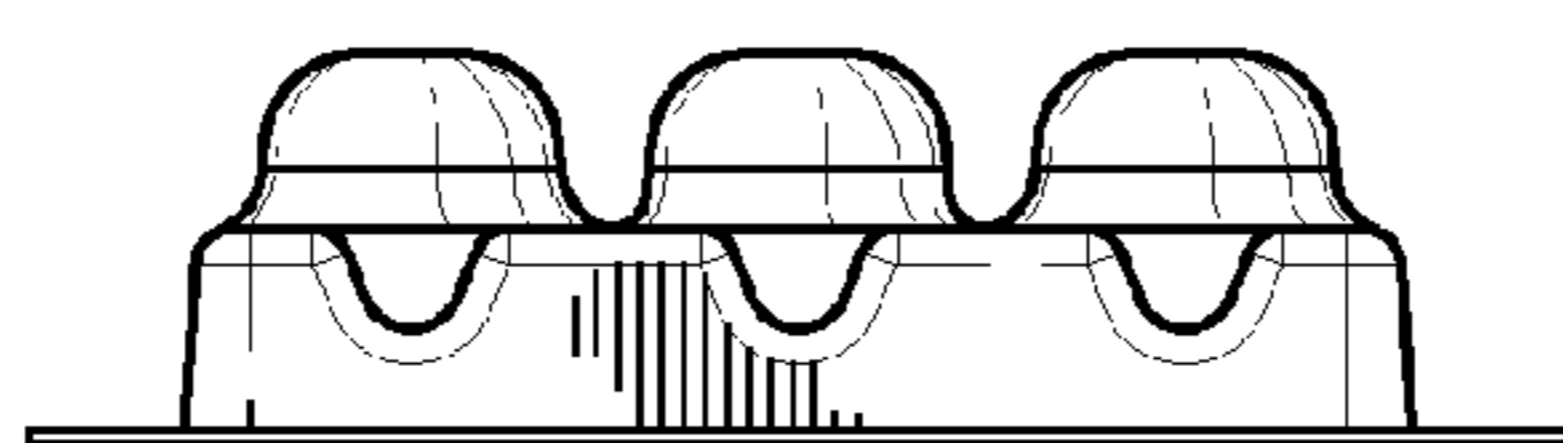


FIG. 7

