



US00D643306S

(12) **United States Design Patent**
Martinez et al.

(10) **Patent No.:** **US D643,306 S**

(45) **Date of Patent:** **** Aug. 16, 2011**

(54) **PRODUCT PACKAGE**

(74) *Attorney, Agent, or Firm* — Fish & Richardson P.C.

(75) Inventors: **John Robert Martinez**, Murrieta, CA (US); **William Harry Monn**, Chambersburg, PA (US)

(57) **CLAIM**

The ornamental design for a product package, substantially as shown and described.

(73) Assignee: **BioElectronics Corp.**, Frederick, MD (US)

DESCRIPTION

(**) Term: **14 Years**

(21) Appl. No.: **29/375,361**

(22) Filed: **Sep. 21, 2010**

(51) **LOC (9) Cl.** **09-03**

(52) **U.S. Cl.** **D9/721**

(58) **Field of Classification Search** D9/600,
D9/667, 715, 721, 737, 414, 420-423, 432-433;
D19/92; 206/215, 457, 485, 822; 220/890;
229/116.1-116.3

See application file for complete search history.

FIG. 1 is a front perspective view of the outer portion of a product package showing our new design, with the inner portion thereof removed for clarity of detail; FIG. 2 is a front elevation view thereof; FIG. 3 is a back elevation view thereof; FIG. 4 is a left side elevation view thereof; FIG. 5 is a right side elevation view thereof; FIG. 6 is a top plan view thereof; FIG. 7 is a bottom plan view thereof; FIG. 8 is a front perspective view thereof, with the inner portion of a product package therein; FIG. 9 is a top plan view thereof; FIG. 10 is a front perspective view of the inner portion of a product package showing our new design, with the outer portion thereof removed for clarity of detail; FIG. 11 is a front elevation view thereof; FIG. 12 is a back elevation view thereof; FIG. 13 is a left side elevation view thereof; FIG. 14 is a right side elevation view thereof; FIG. 15 is a top plan view thereof; and, FIG. 16 is a bottom plan view thereof.

The special dot-dash broken lines in FIGS. 1, 2, 6, 8, and 9 show claimed fold lines; whereas, the tiny lightweight dotted lines and the bold dashed lines in FIGS. 10, 13, 14, and 15, show claimed stitching and claimed zipper elements, respectively.

(56) **References Cited**

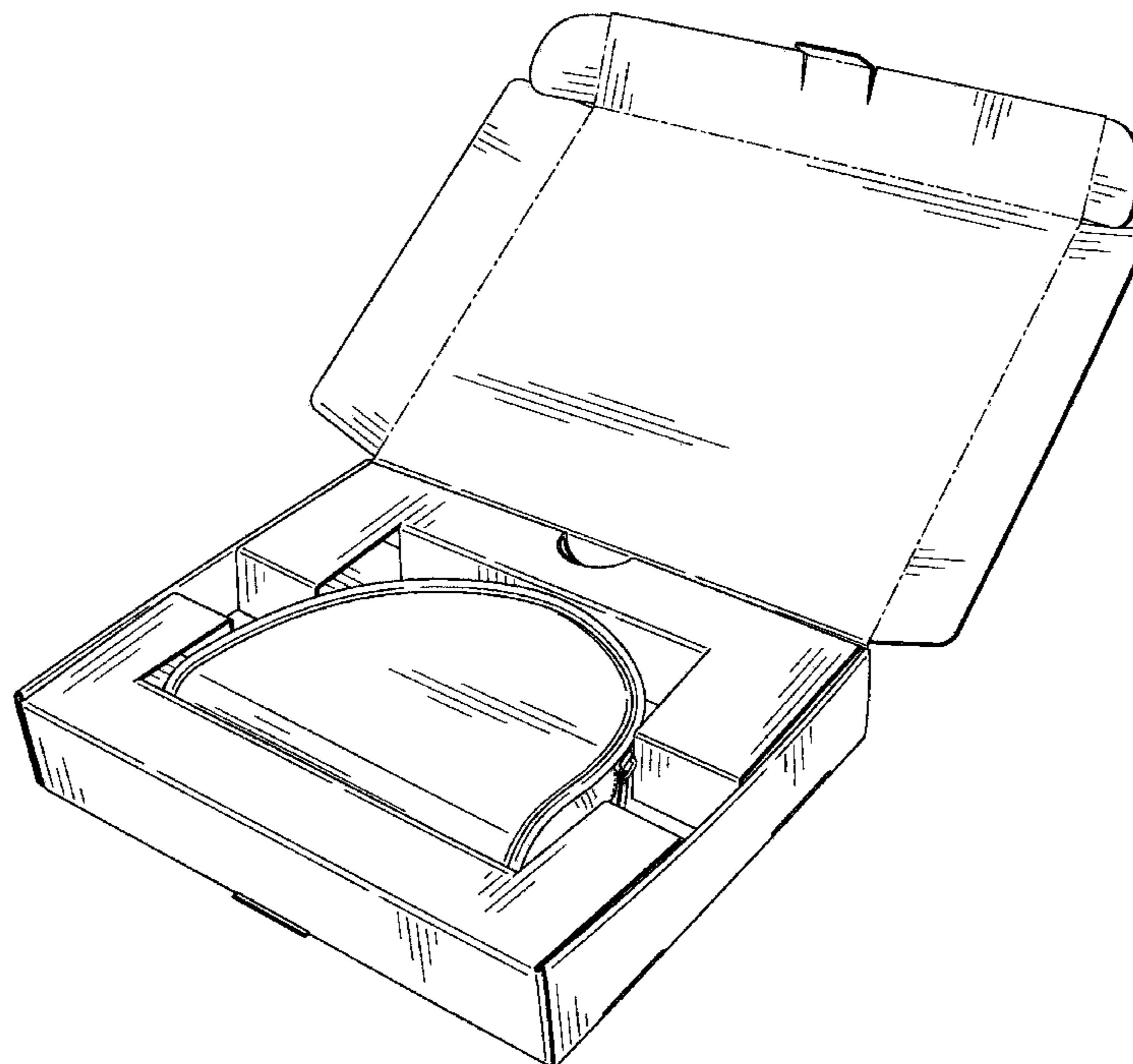
U.S. PATENT DOCUMENTS

D267,700	S	*	1/1983	Skarin	D9/721
D343,353	S	*	1/1994	Campbell	D9/721
5,775,494	A	*	7/1998	Taplin	206/308.2
D411,799	S	*	7/1999	Davis	D9/721
D438,101	S	*	2/2001	Koster	D9/721
D512,304	S	*	12/2005	Aldridge	D9/422
D609,115	S	*	2/2010	Kim	D9/721
D625,598	S	*	10/2010	Ruth	D9/423
2008/0017529	A1	*	1/2008	Herring	206/216

* cited by examiner

Primary Examiner — Thomas Johannes

1 Claim, 10 Drawing Sheets



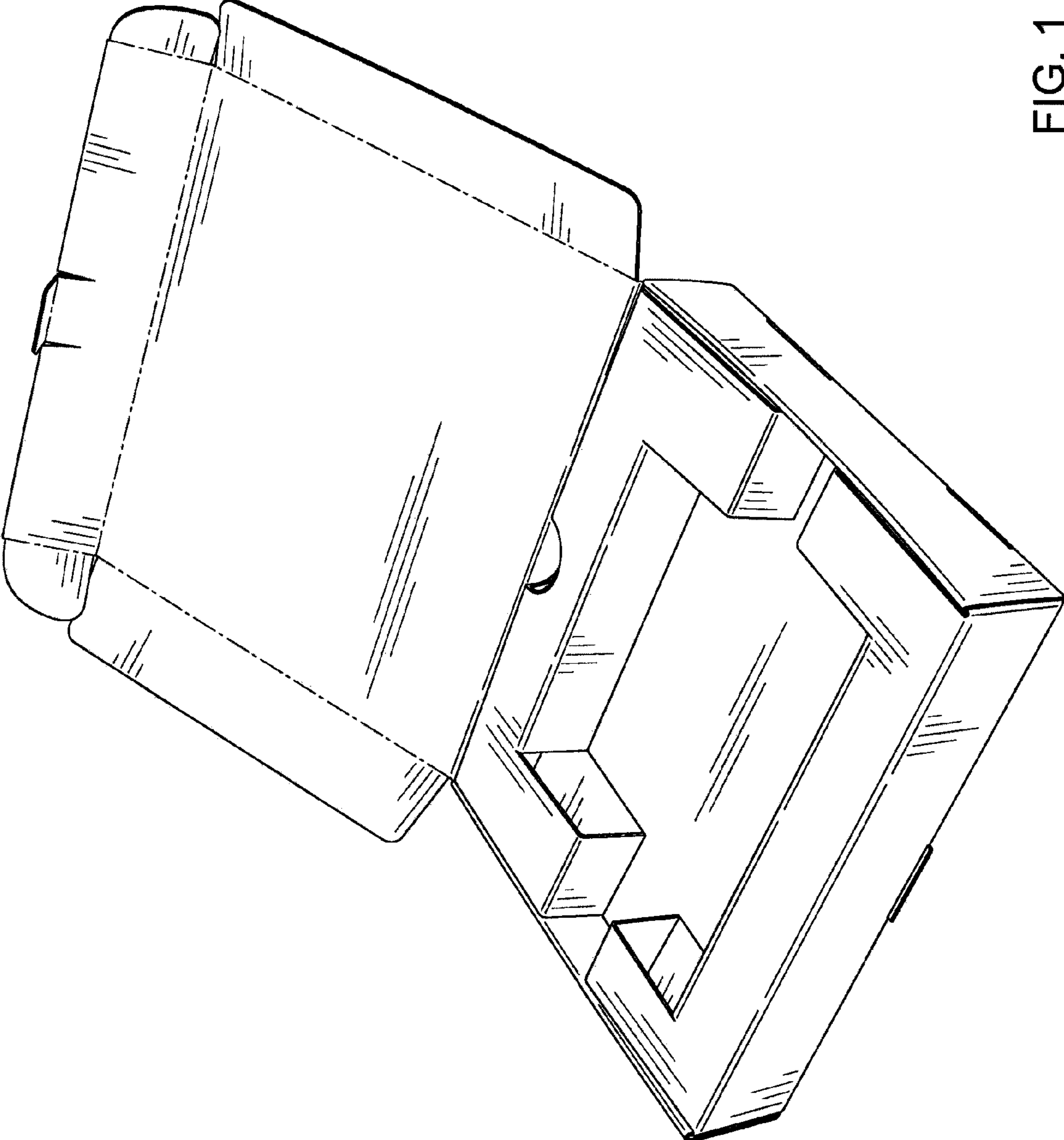


FIG. 1

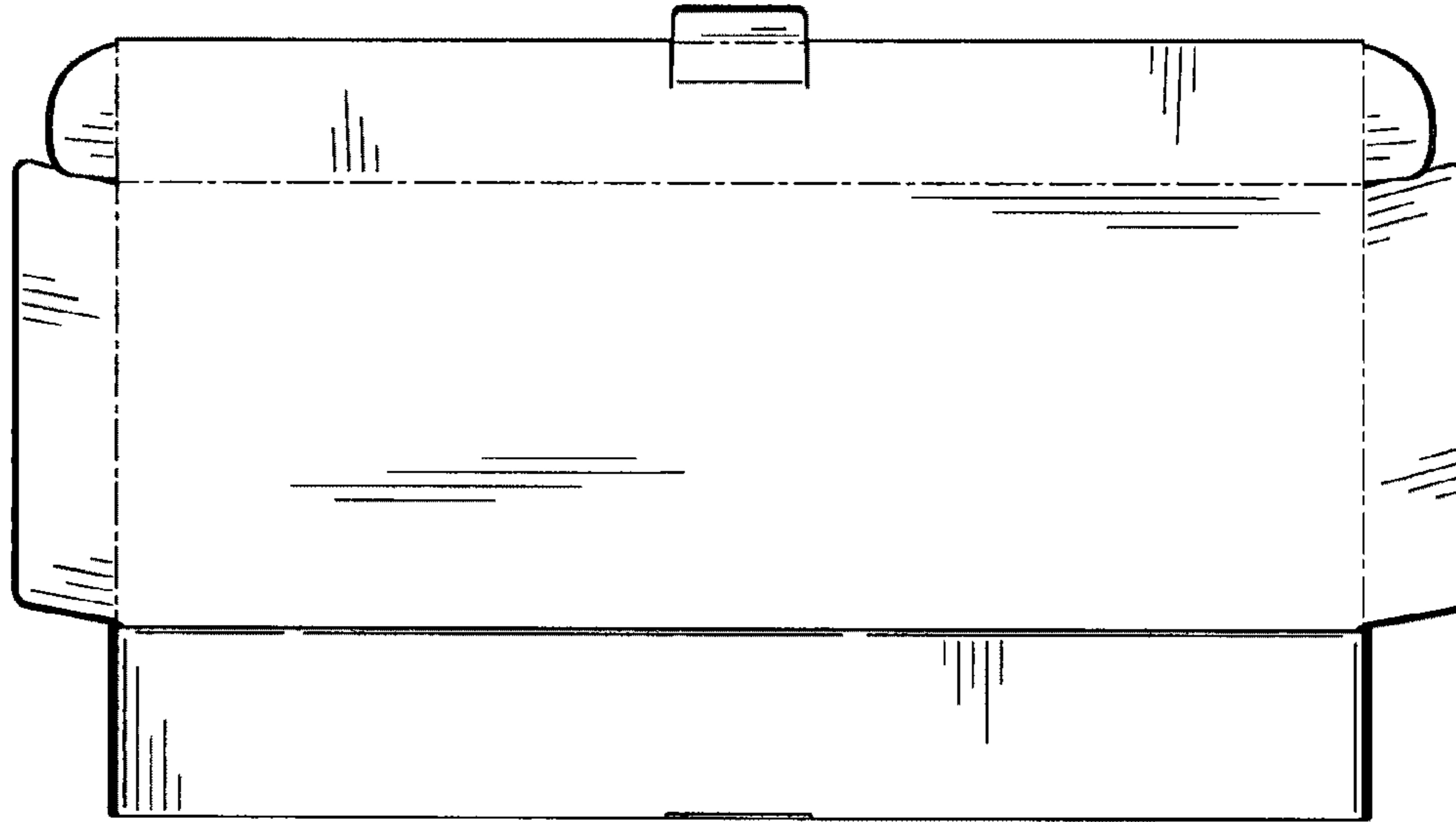


FIG. 2

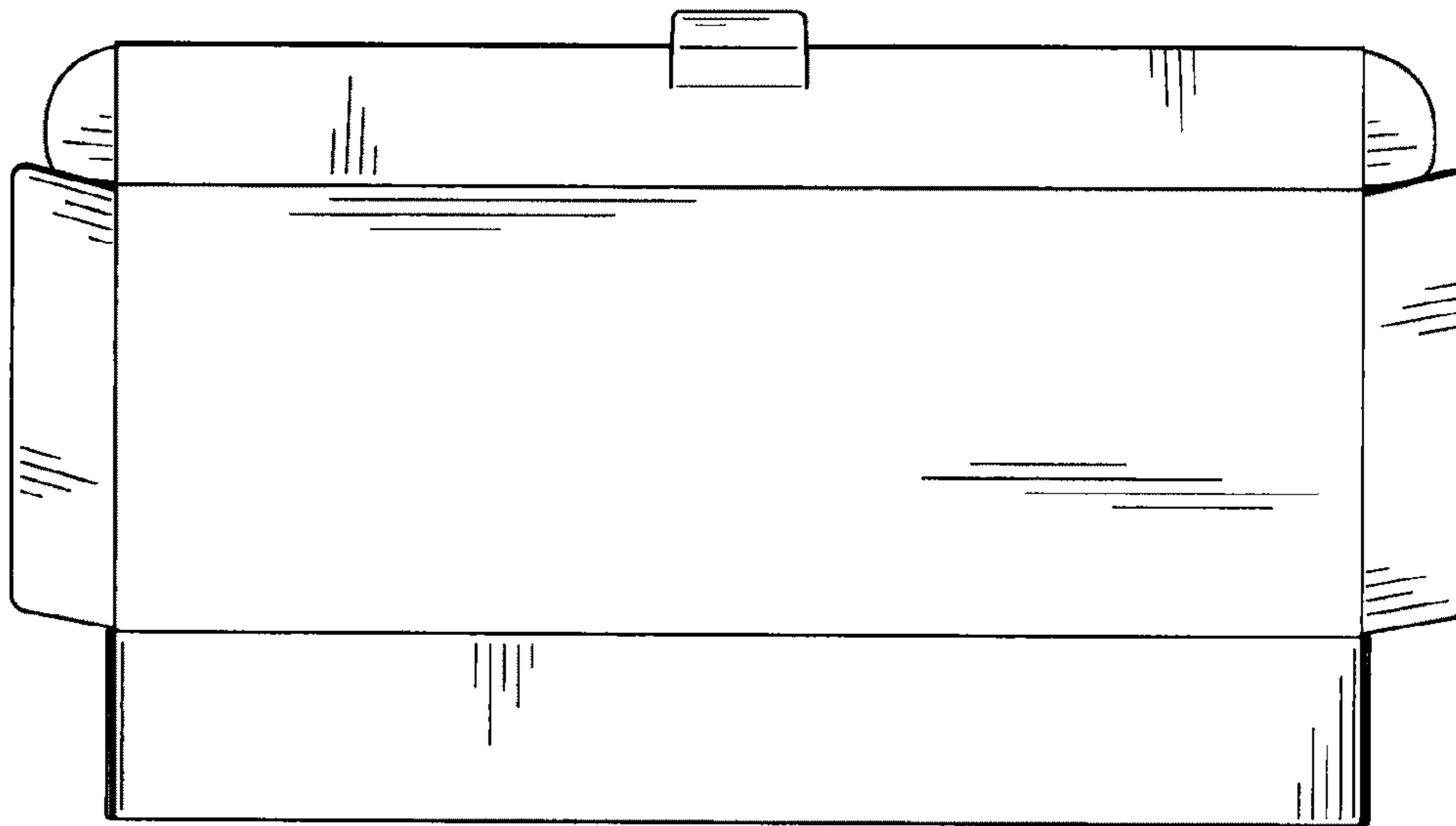


FIG. 3

FIG. 4

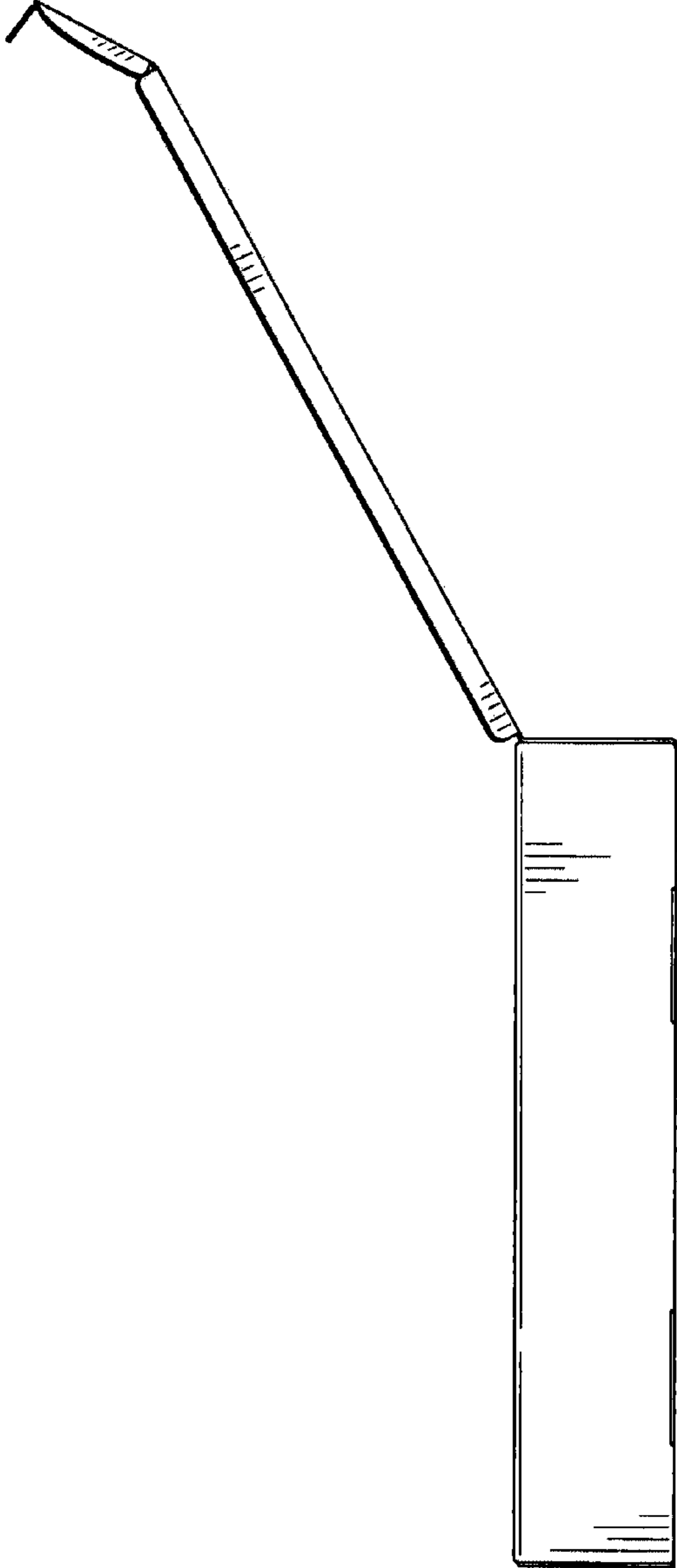
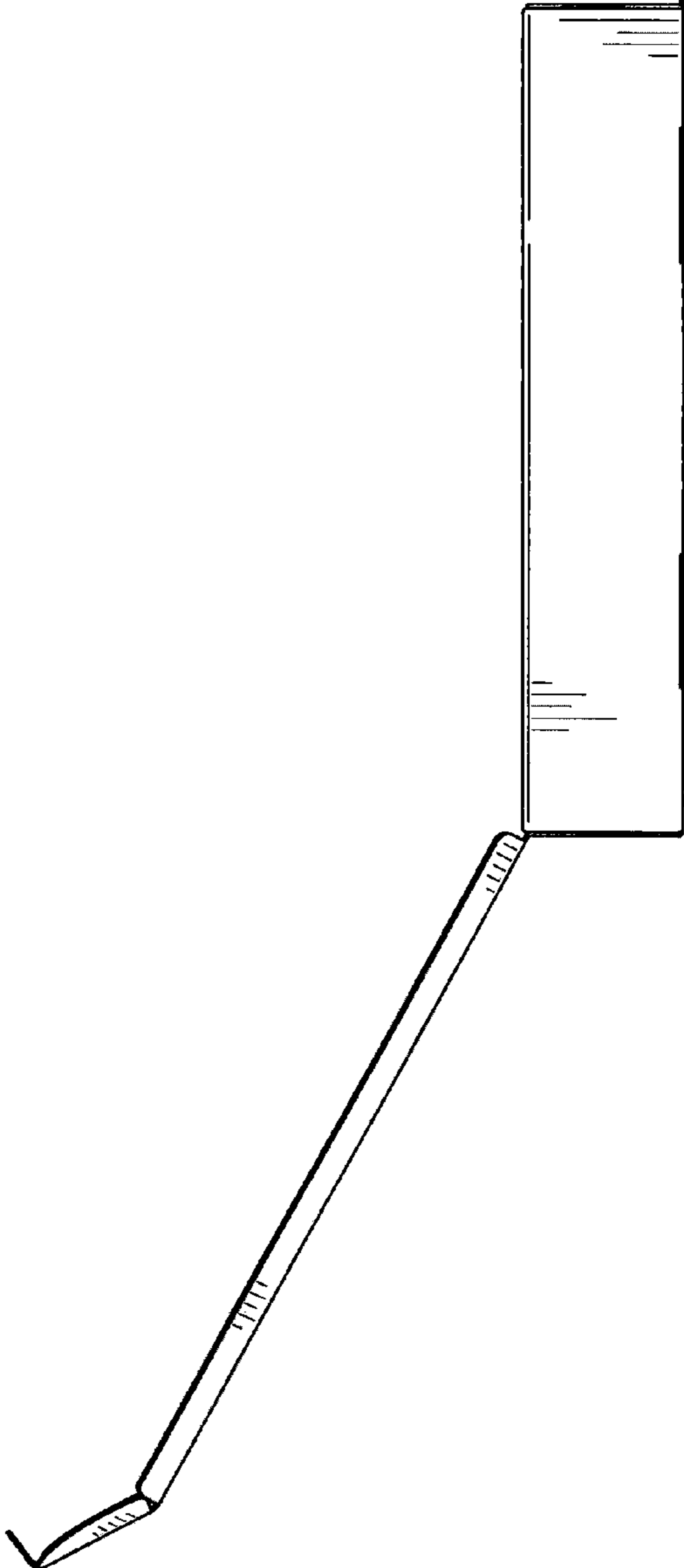


FIG. 5



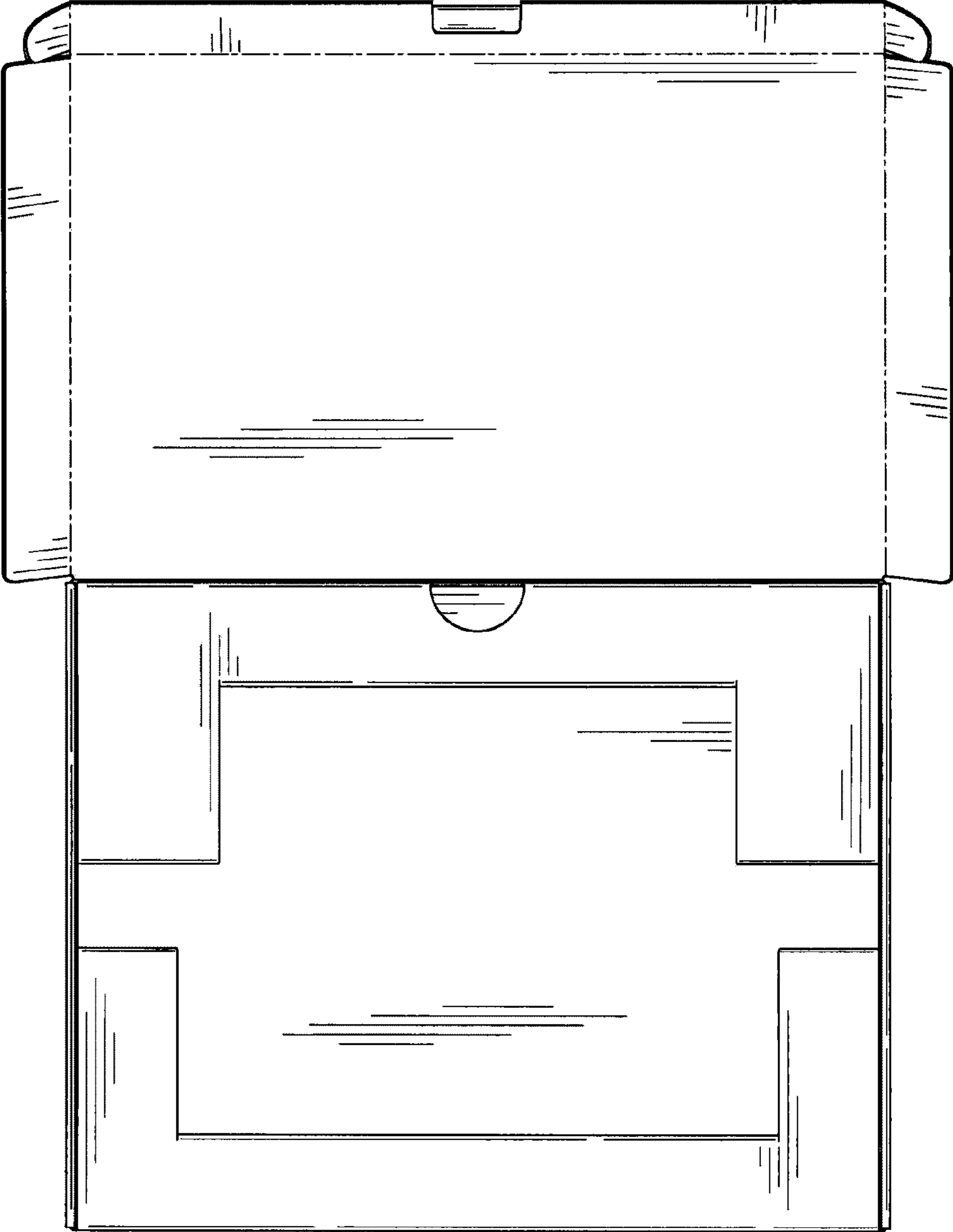


FIG. 6

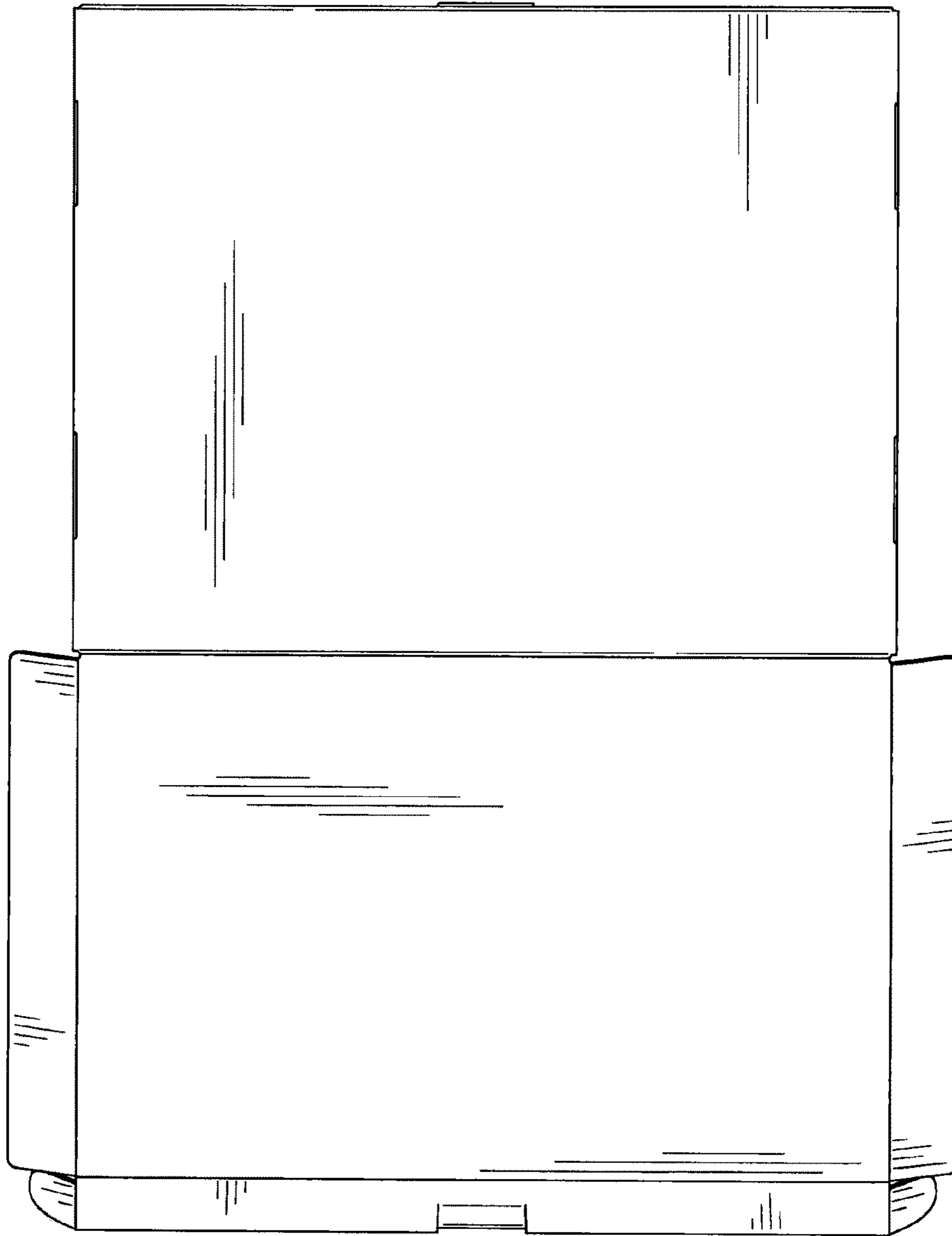


FIG. 7

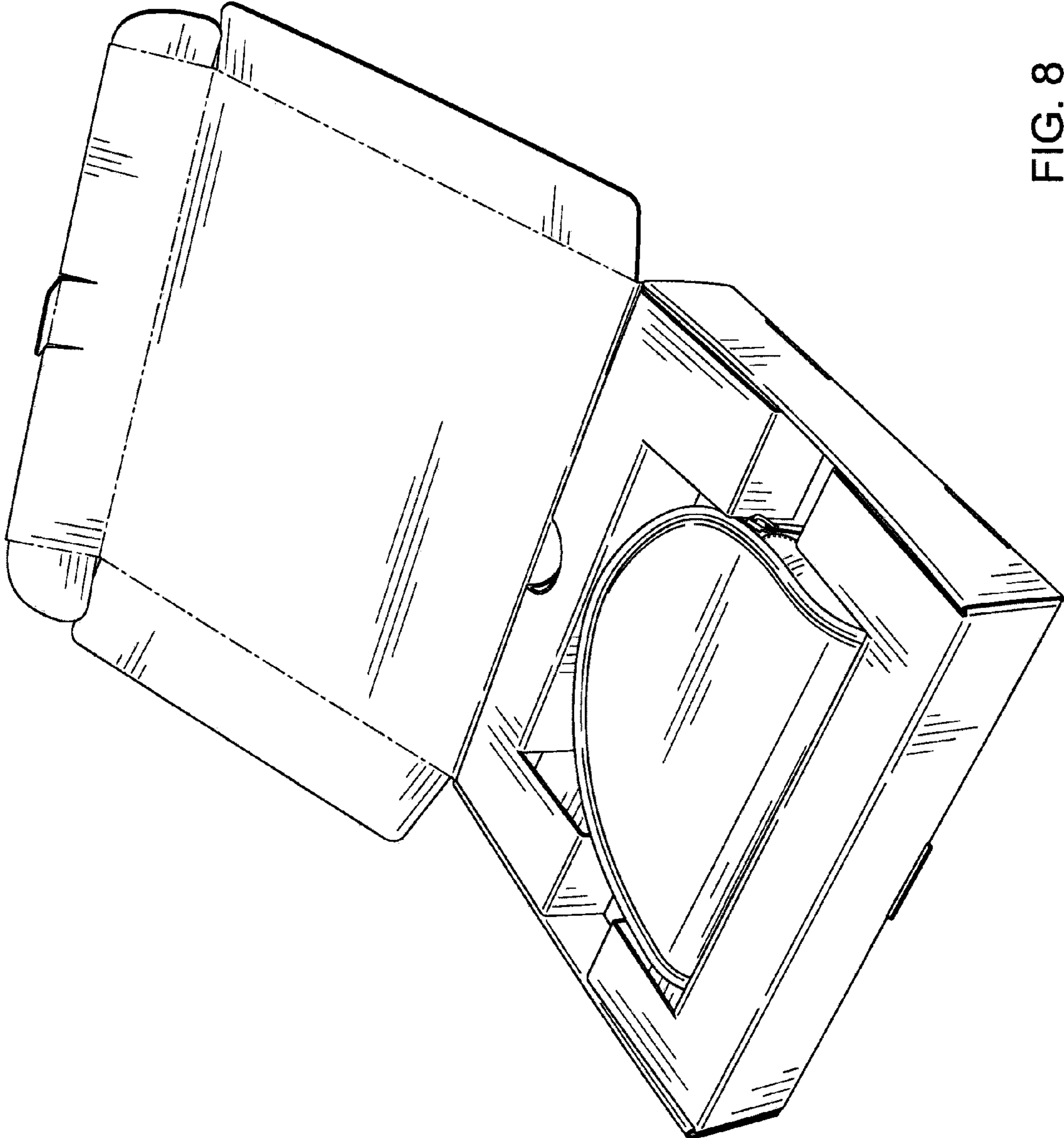


FIG. 8

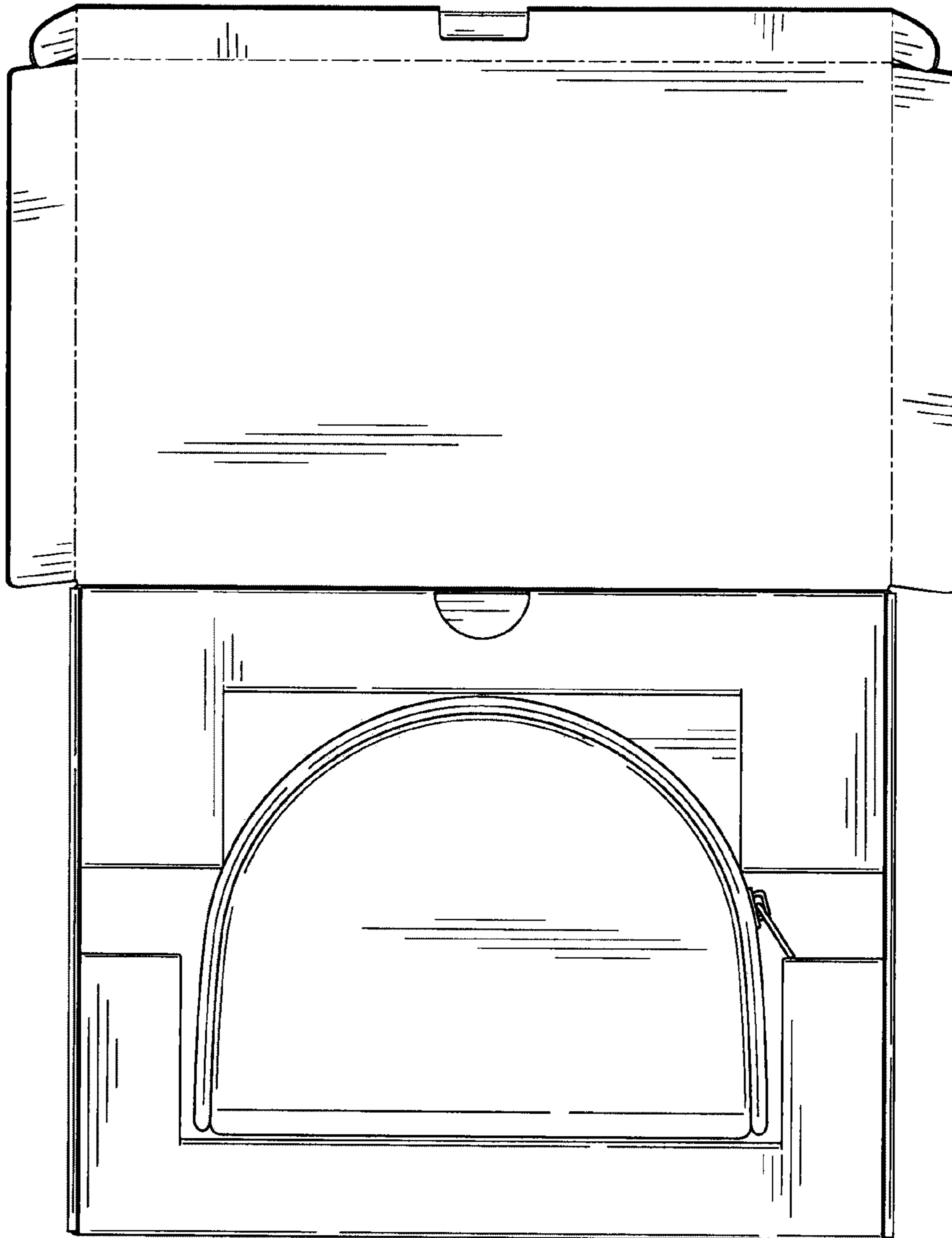


FIG. 9

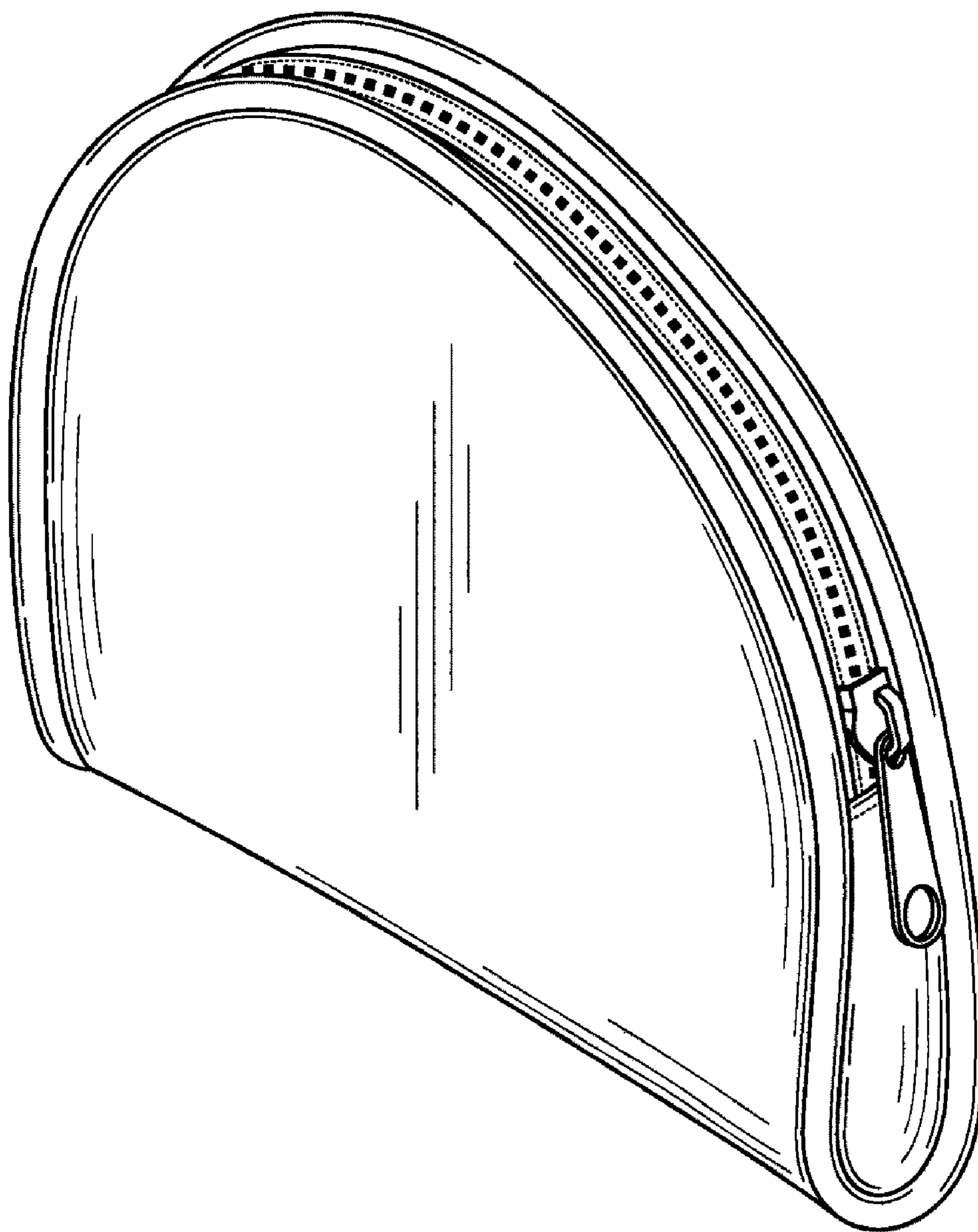


FIG. 10

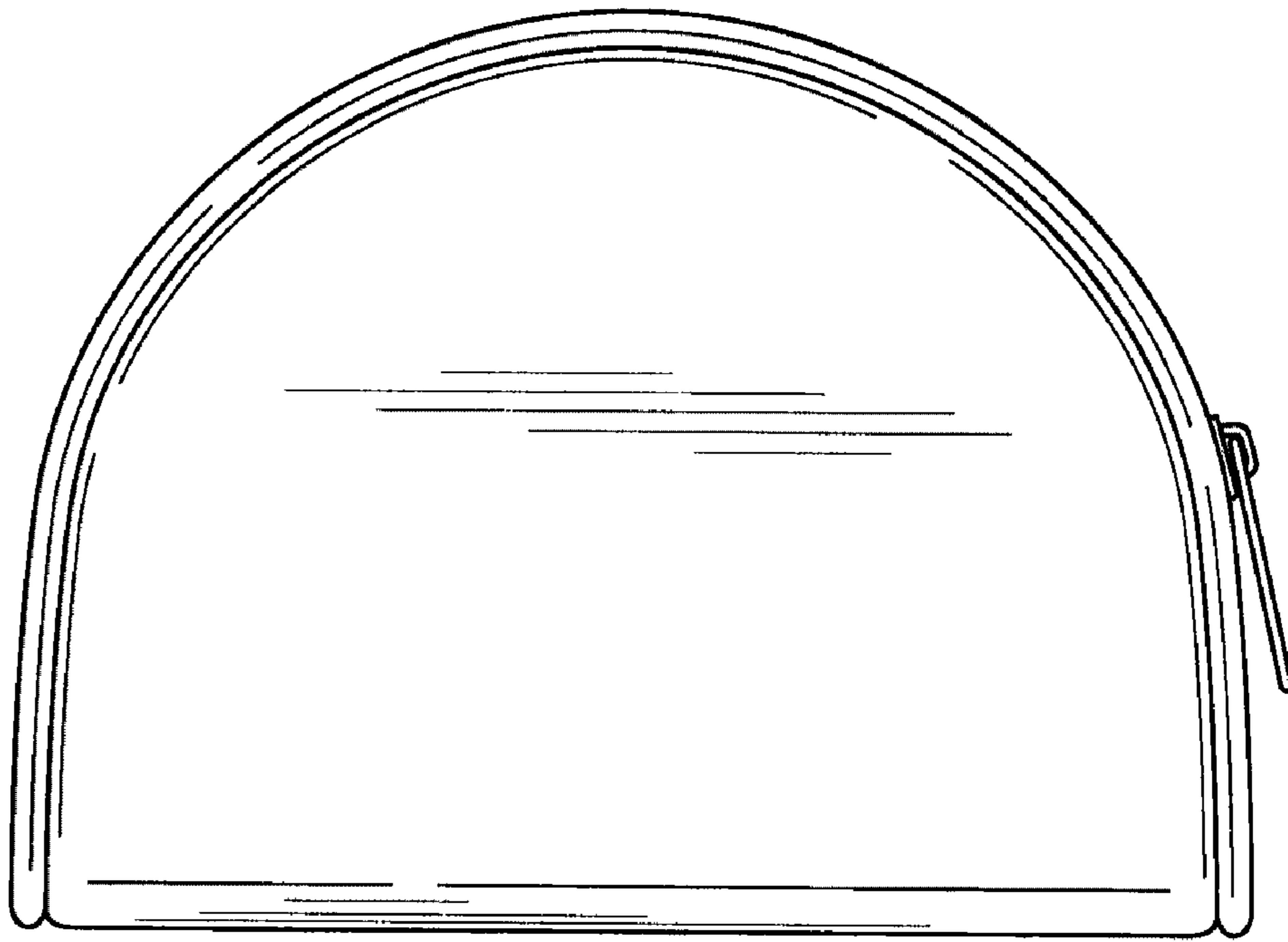


FIG. 11

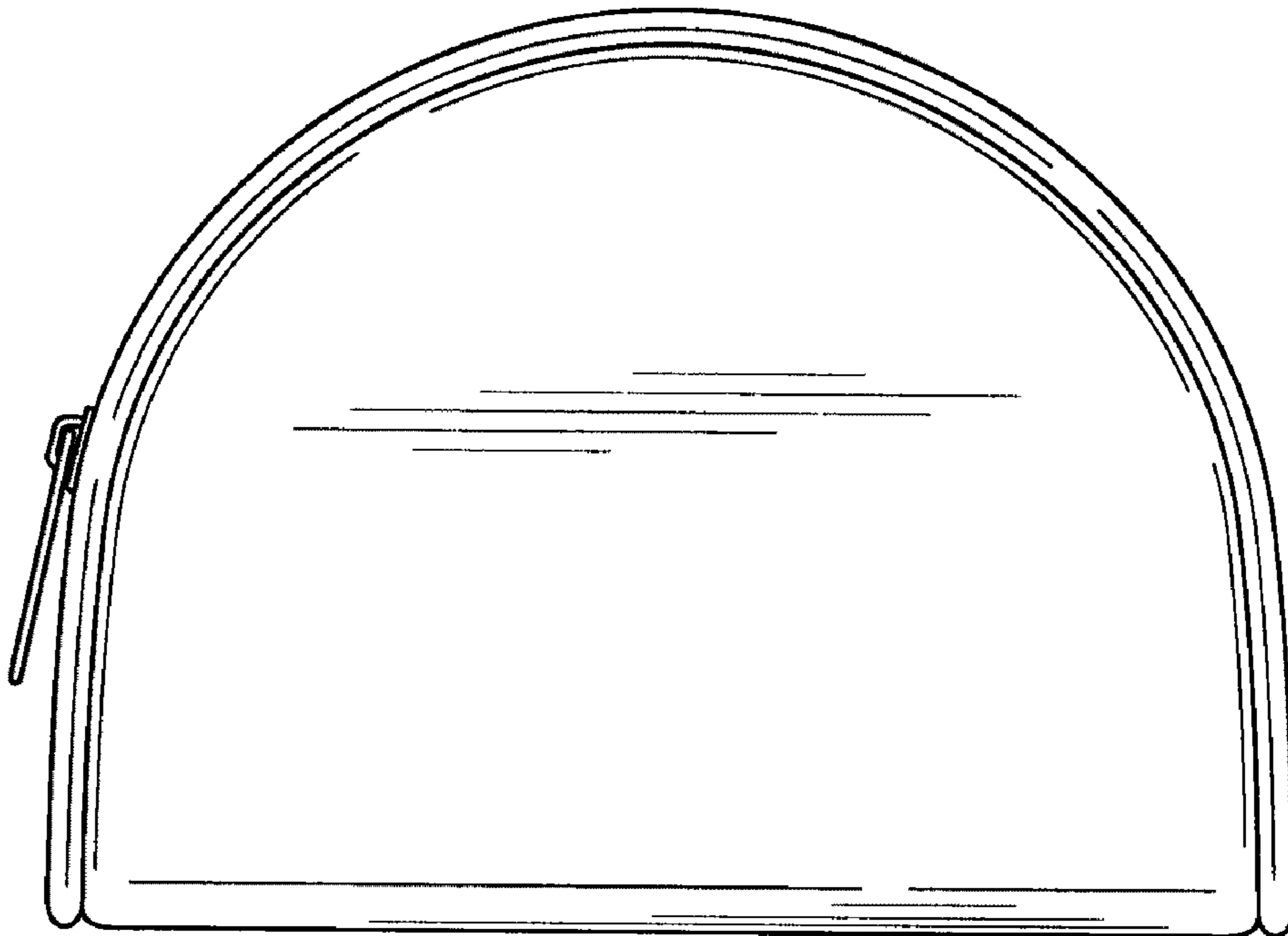


FIG. 12

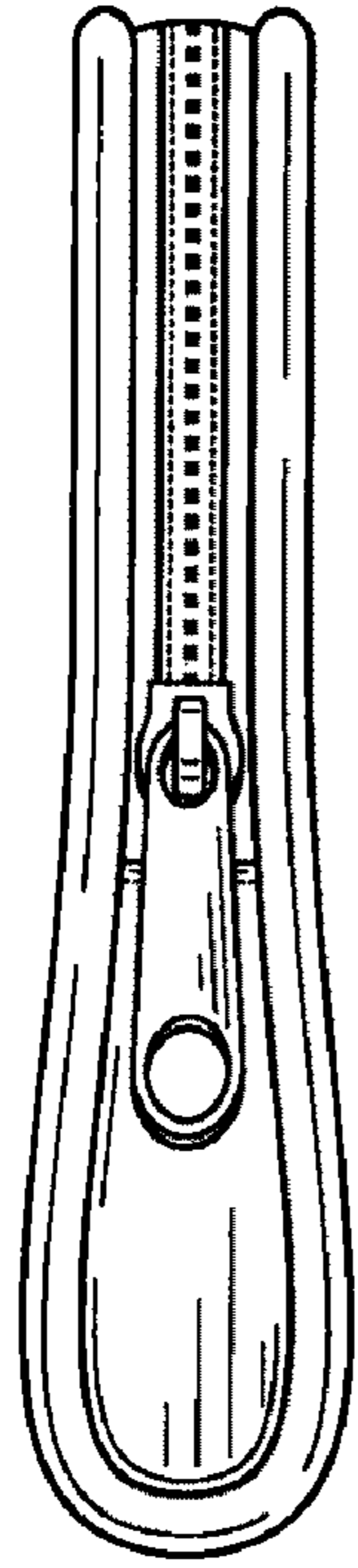


FIG. 13

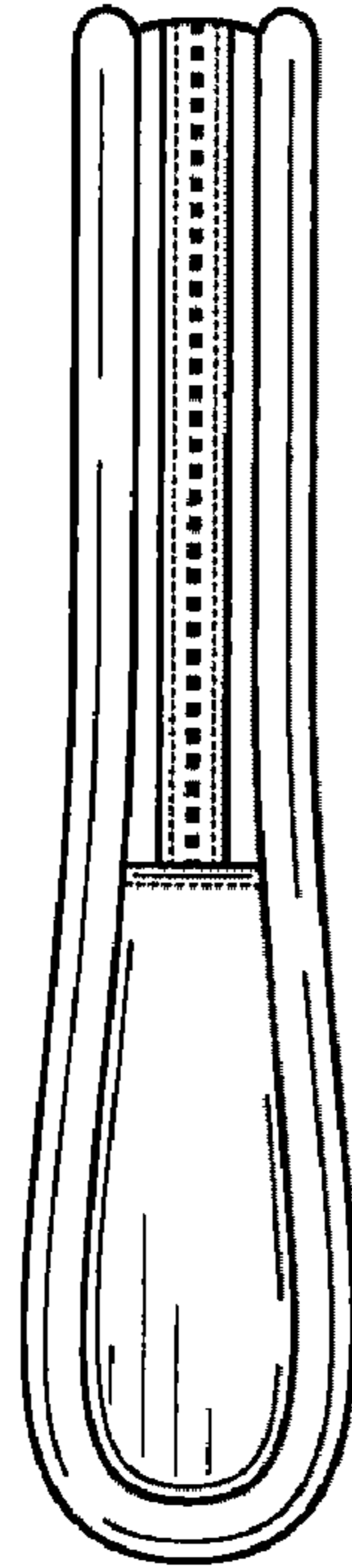


FIG. 14

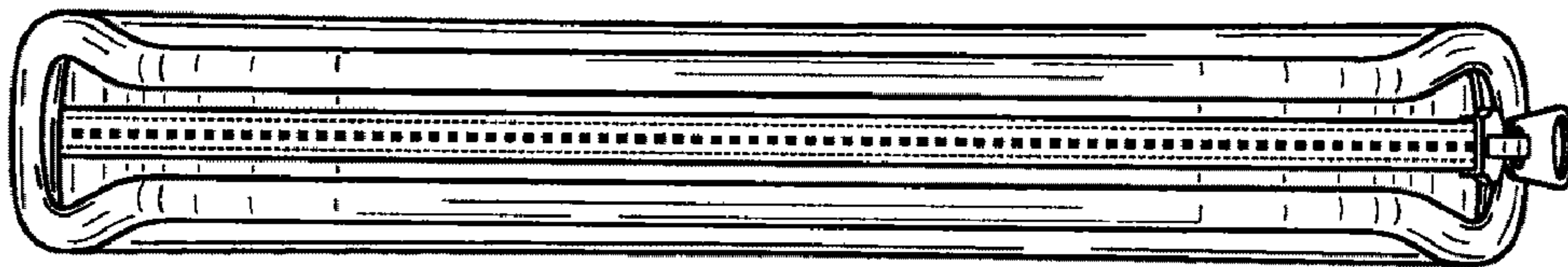


FIG. 15

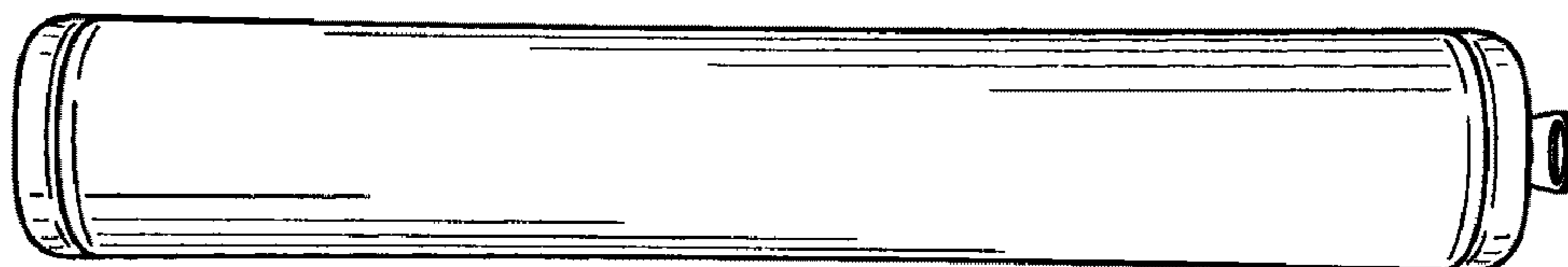


FIG. 16