



US00D643304S

(12) **United States Design Patent**
Mills

(10) **Patent No.:** **US D643,304 S**

(45) **Date of Patent:** **** Aug. 16, 2011**

(54) **DISPENSER WITH DIRECTIONAL FLOW CONTROLLING FLANGE**

(75) Inventor: **Andrew J. Mills**, Highland Park, IL (US)

(73) Assignee: **Medline Industries, Inc.**, Mundelein, IL (US)

(**) Term: **14 Years**

(21) Appl. No.: **29/391,074**

(22) Filed: **May 3, 2011**

Related U.S. Application Data

(62) Division of application No. 29/382,322, filed on Dec. 31, 2010.

(51) **LOC (9) Cl.** **09-03**

(52) **U.S. Cl.** **D9/694**

(58) **Field of Classification Search** D9/682-694, D9/435-454; 222/129, 135, 153.01, 153.03, 222/153.04, 153.09, 153.11-153.14, 156, 222/182, 183, 631, 635, 209, 211-213, 215, 222/321.7-321.9, 372, 373, 378, 379, 383.1, 222/384-386, 398, 400.7, 400.8, 401, 402.1-402.25
See application file for complete search history.

(56) **References Cited**

U.S. PATENT DOCUMENTS

D267,454 S *	1/1983	Fine	D6/545
D274,499 S *	7/1984	Soos	D9/687
D309,256 S *	7/1990	Boesel	D9/693
5,297,704 A *	3/1994	Stollmeyer	222/567
5,632,418 A *	5/1997	Brown	222/180
D454,308 S *	3/2002	Scheida	D9/523
D527,258 S *	8/2006	Crawford	D9/448

D571,216 S *	6/2008	Christian et al.	D9/523
D595,132 S *	6/2009	Tseng	D9/448
D613,613 S *	4/2010	Llewellyn et al.	D9/682
D625,944 S *	10/2010	Yang et al.	D6/542
D635,808 S *	4/2011	DeBretton Gordon	D6/542
2009/0108023 A1	4/2009	Houghton et al.		
2009/0188947 A1 *	7/2009	Dodd	222/321.8

FOREIGN PATENT DOCUMENTS

EM	000185491-0001	*	8/2004
EM	000645858-0001	*	1/2007
EM	000649082-0003	*	1/2009
GB	DES.2026494	*	2/1993
GB	DES.2039088	*	8/1994

* cited by examiner

Primary Examiner — Catherine Tuttle

(74) *Attorney, Agent, or Firm* — David S. Noskowicz; Philip H. Burrus, IV

(57) **CLAIM**

The ornamental design for a dispenser with directional flow controlling flange, as shown and described.

DESCRIPTION

FIG. 1 is a perspective view of the dispenser with directional flow controlling flange showing our new design; FIG. 2 is a front elevation view thereof; FIG. 3 is a rear elevation view thereof; FIG. 4 is a top plan view thereof; FIG. 5 is a bottom plan view thereof; FIG. 6 is a left elevation view thereof; and, FIG. 7 is a right elevation view thereof. The appearance within the unshaded region that would be seen in FIGS. 3 and 5 forms no part of the claimed design.

1 Claim, 3 Drawing Sheets



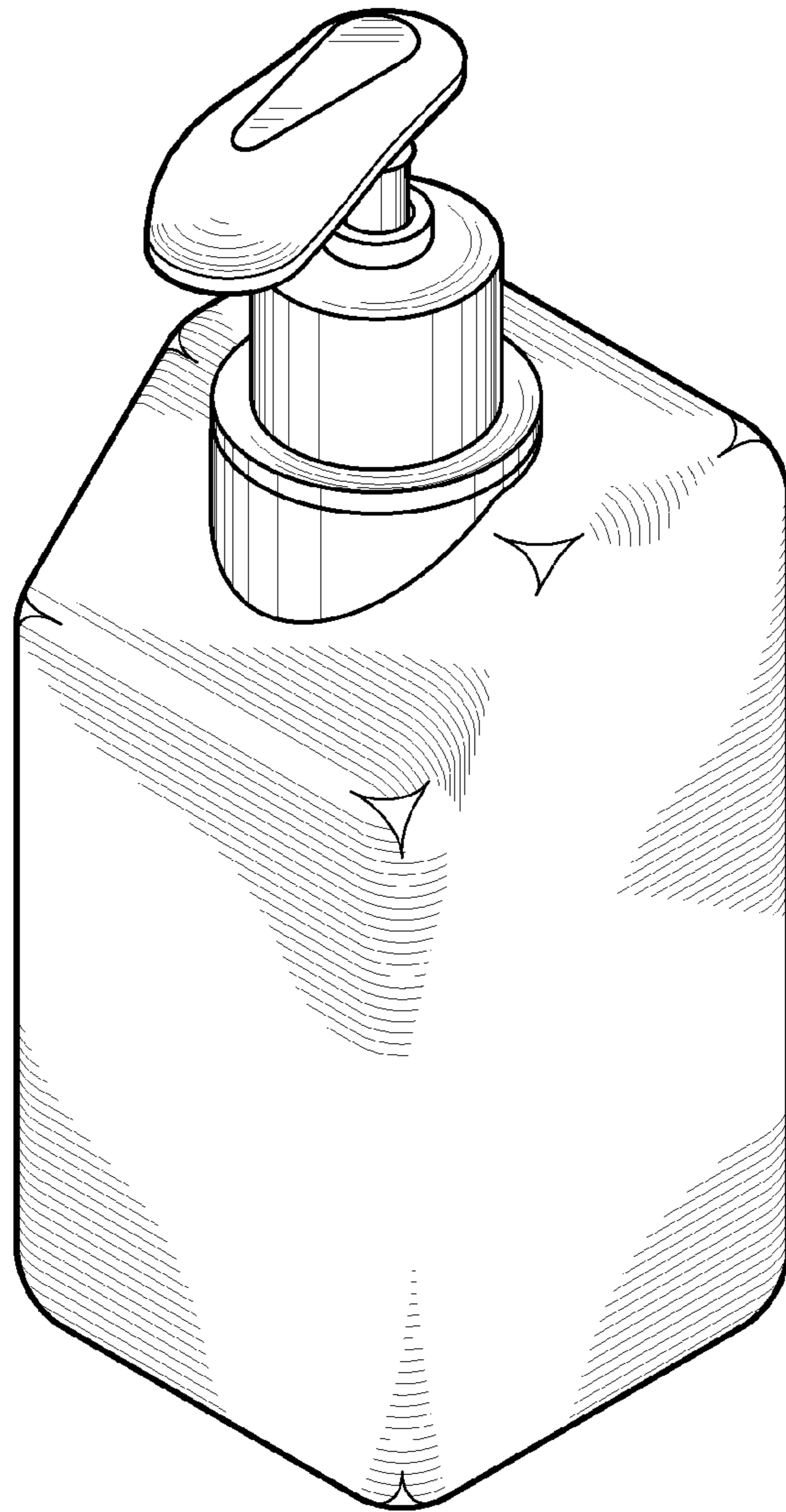


FIG. 1

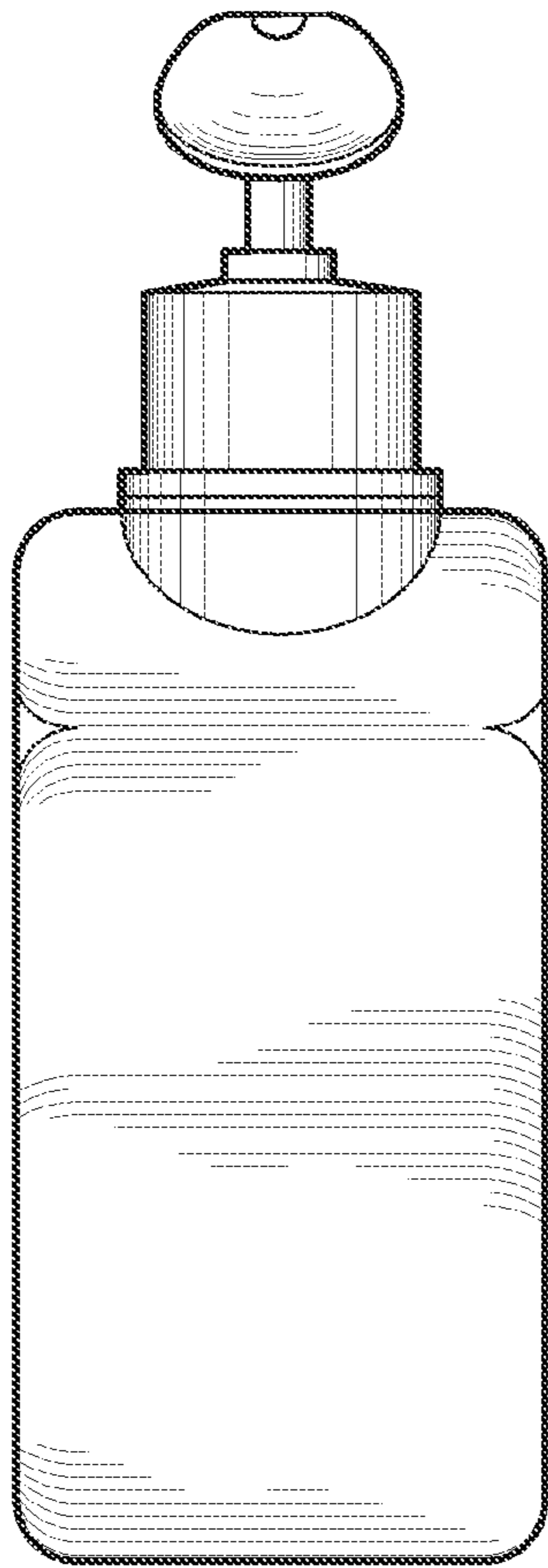


FIG. 2

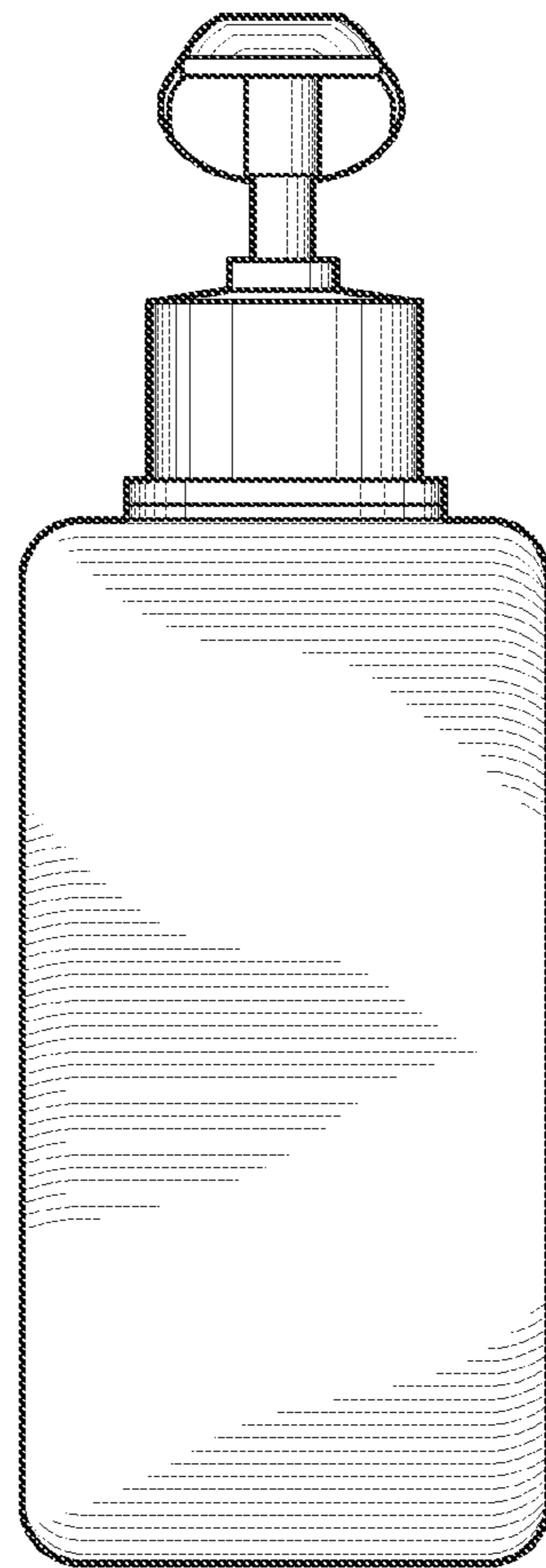


FIG. 3

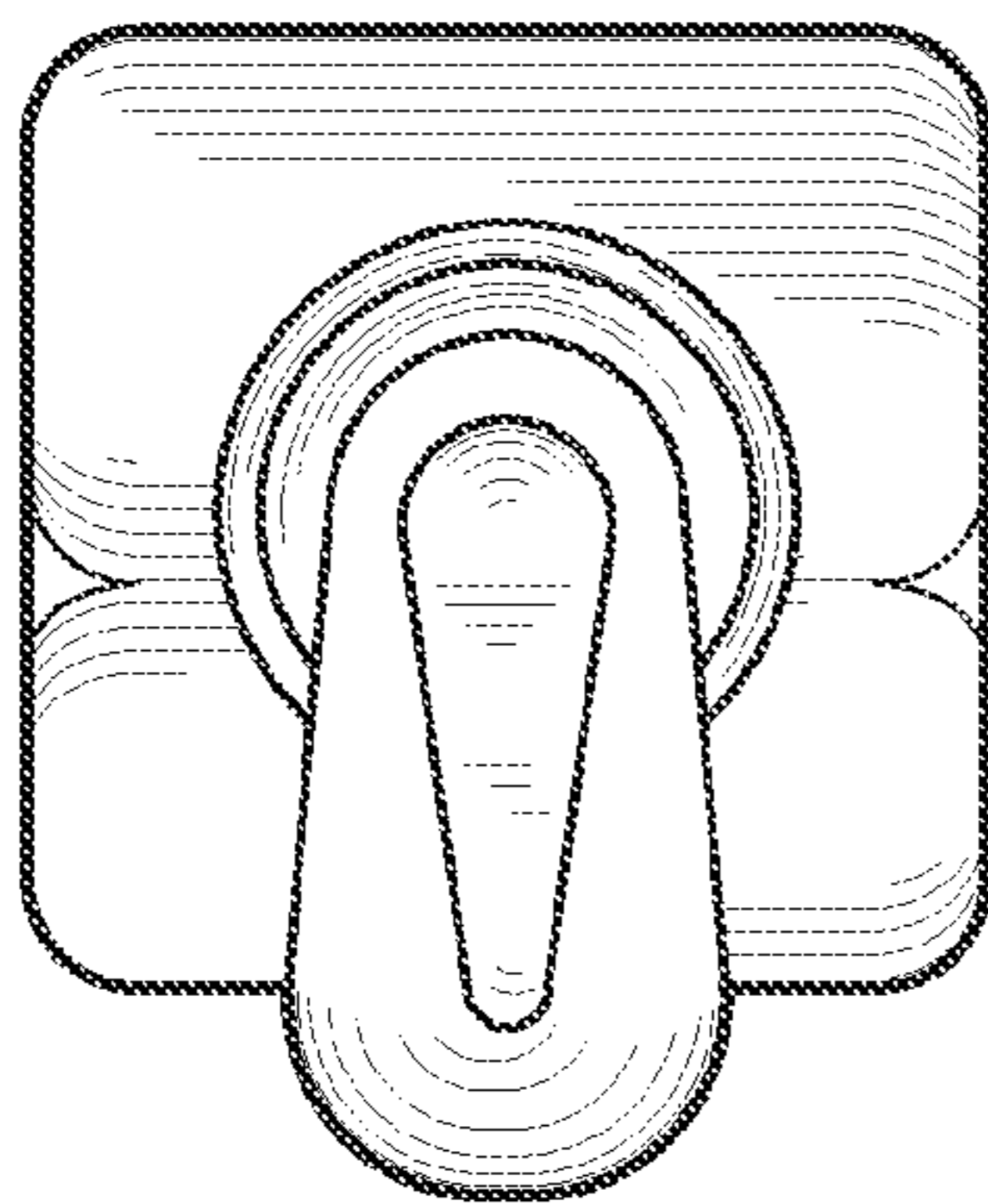


FIG. 4

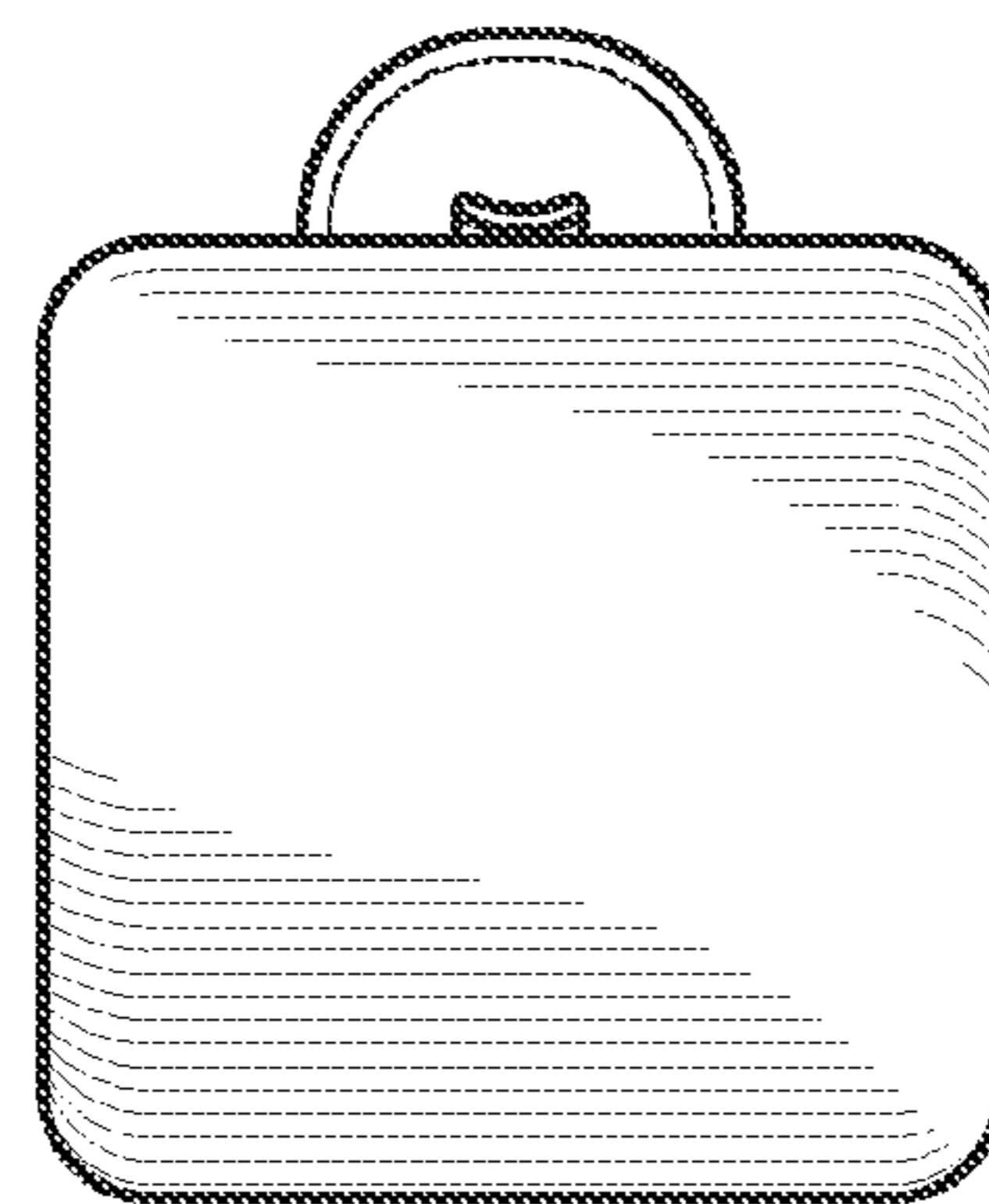


FIG. 5

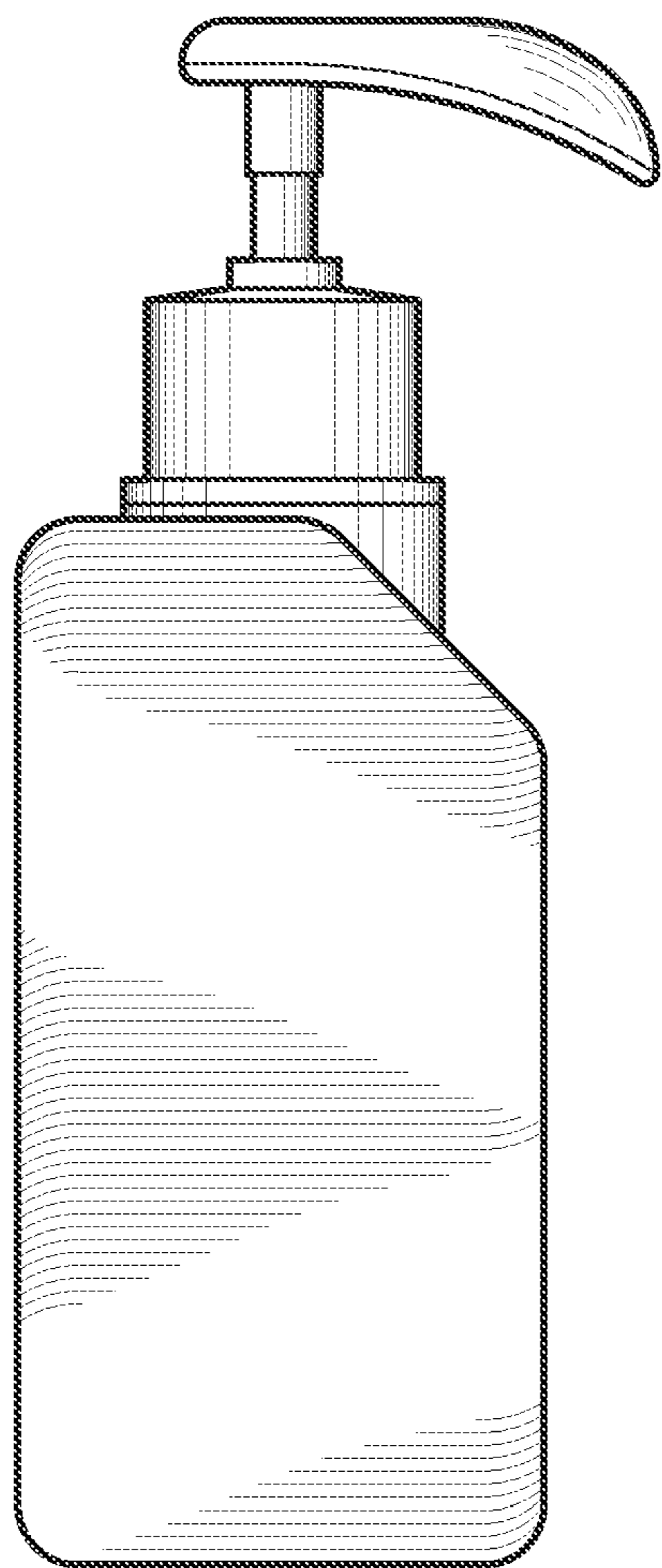


FIG. 7

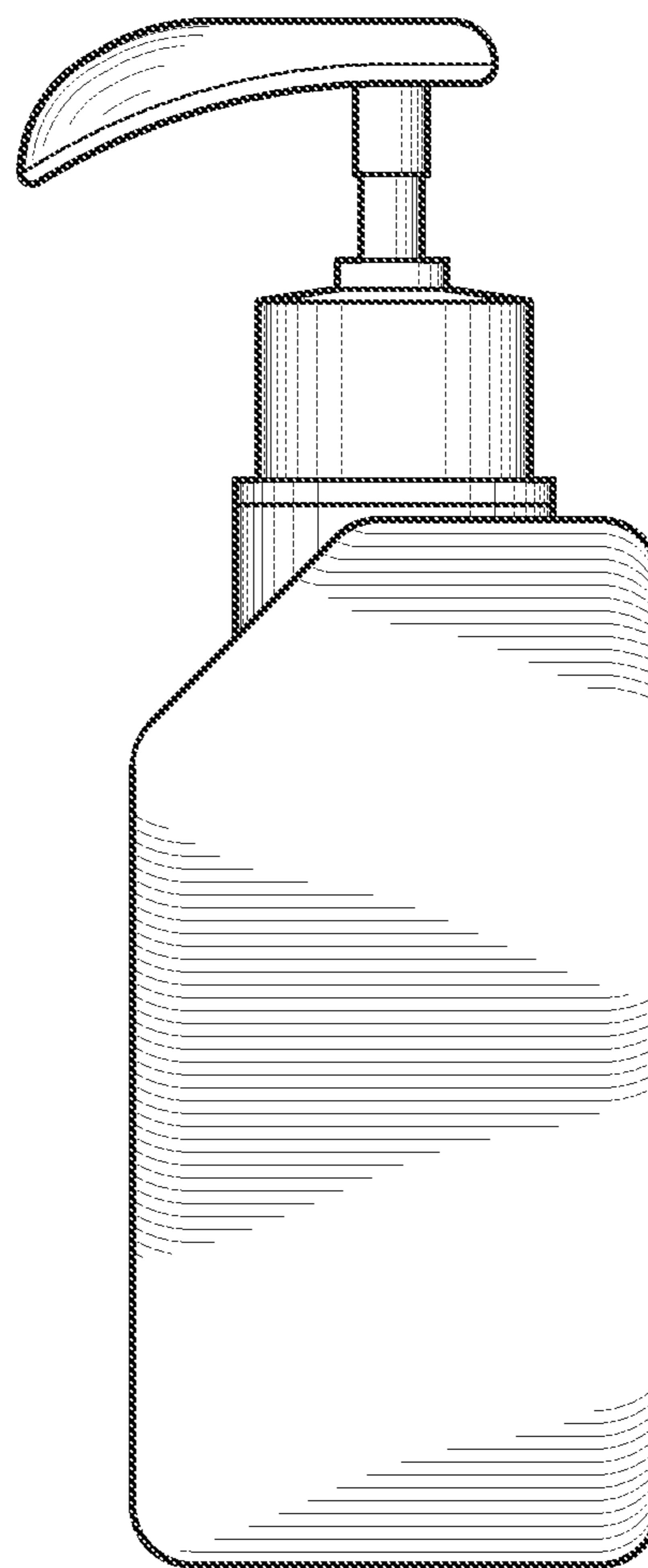


FIG. 6