



US00D643303S

(12) **United States Design Patent**
Bicknell et al.

(10) **Patent No.:** **US D643,303 S**

(45) **Date of Patent:** **** Aug. 16, 2011**

(54) **CONTAINER**

(75) Inventors: **David Huw Bicknell**, London (GB);
James Edward Roe, Glossop (GB)

(73) Assignee: **Conopco Inc.**, Englewood Cliffs, NJ
(US)

(**) Term: **14 Years**

(21) Appl. No.: **29/378,179**

(22) Filed: **Nov. 1, 2010**

(30) **Foreign Application Priority Data**

May 5, 2010 (EM) 001704628-0001

(51) **LOC (9) Cl.** **09-01**

(52) **U.S. Cl.** **D9/689**

(58) **Field of Classification Search** D9/682-694,
D9/500-505, 516-575, 434-454; 222/129,
222/135, 153.01, 153.03, 153.04, 153.09,
222/153.11-153.14, 182, 631, 635, 209,
222/211-213, 215, 321.7-321.9, 372, 373,
222/378, 379, 383.1, 384-386, 398, 400.7,
222/400.8, 401, 402.1-402.25

See application file for complete search history.

(56) **References Cited**

U.S. PATENT DOCUMENTS

D236,084 S * 7/1975 Petterson D9/688
6,000,633 A * 12/1999 Lund et al. 239/211
D462,896 S * 9/2002 Crawford et al. D9/693
D482,972 S * 12/2003 Young et al. D9/523
D490,699 S * 6/2004 Nelson et al. D9/689
D491,064 S 6/2004 Miller et al. D9/448
D492,193 S 6/2004 Miller et al. D9/300
D507,487 S * 7/2005 Marroncles D9/448
D508,209 S * 8/2005 Lamb et al. D9/689
D511,302 S * 11/2005 Lamb et al. D9/689
D512,313 S * 12/2005 Liu D9/502
D557,145 S * 12/2007 Miller et al. D9/689

D602,363 S * 10/2009 Chaffier D9/521
D604,641 S * 11/2009 Renz et al. D9/776
2003/0129142 A1* 7/2003 Schroeder et al. 424/47

FOREIGN PATENT DOCUMENTS

EM 000512207-0002 * 6/2006
EM 000749148-0007 * 7/2007
GB DES. 3020280 * 3/2005
WO D072539-003 * 4/2010
WO 2010/052168 5/2010

OTHER PUBLICATIONS

Dove Original Antiperspirant; front and back photos (Aug. 2008).
Imperial Leather Foamburst Foaming Shower Gel; front and back
photos (Aug. 2008).

MUM Active Clear Antiperspirant; front and back photos (May
2008).

Co-pending Application: Applicant: Bicknell et al., U.S. Appl. No.
29/378,177, filed Nov. 1, 2010.

Co-pending Application: Applicant: Bicknell et al., U.S. Appl. No.
29/378,180, filed Nov. 1, 2010.

* cited by examiner

Primary Examiner — Catherine Tuttle

(74) *Attorney, Agent, or Firm* — Karen E. Klumas

(57) **CLAIM**

The ornamental design for a container, as shown and
described.

DESCRIPTION

FIG. 1 is a top, front and side perspective view of our con-
tainer;

FIG. 2 is a front elevational view thereof;

FIG. 3 is a rear elevational view thereof;

FIG. 4 is a side elevational view thereof;

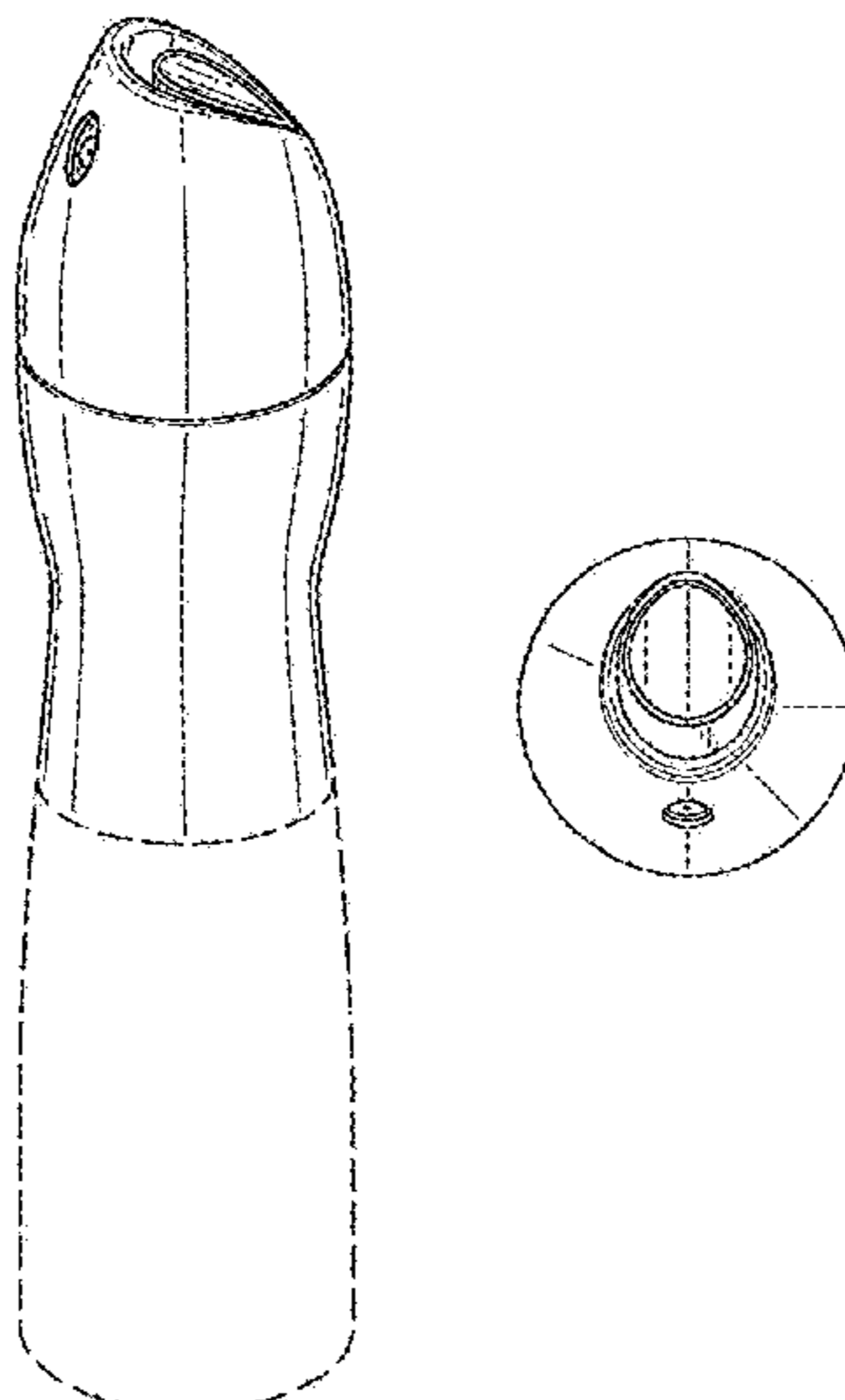
FIG. 5 is an elevational view of the other side thereof;

FIG. 6 is a top plan view thereof; and,

FIG. 7 is a bottom plan view thereof.

The broken lines are included for the purpose of illustrating a
portion of the container that forms no part of the claimed
design.

1 Claim, 2 Drawing Sheets



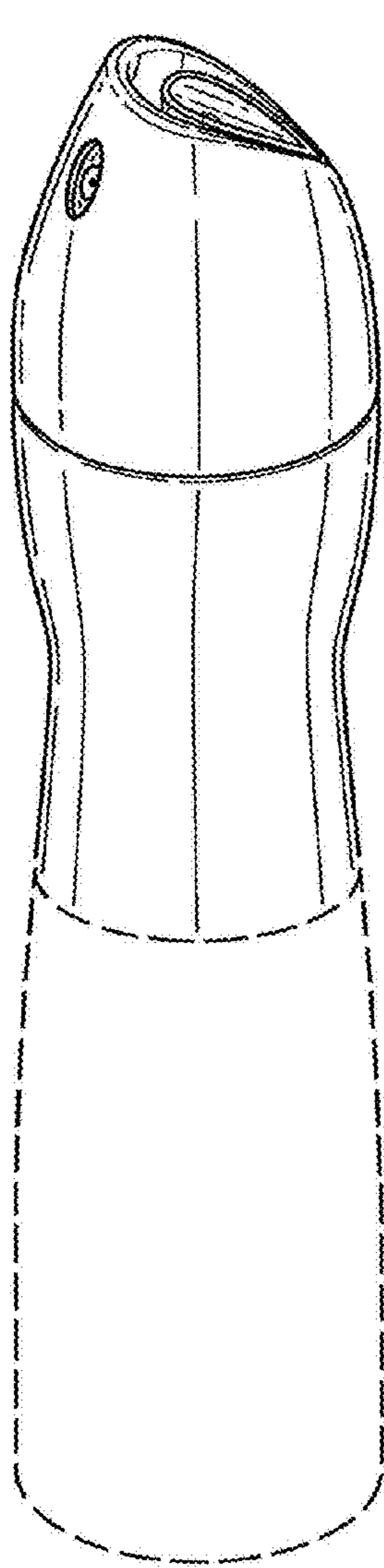


Fig. 1.

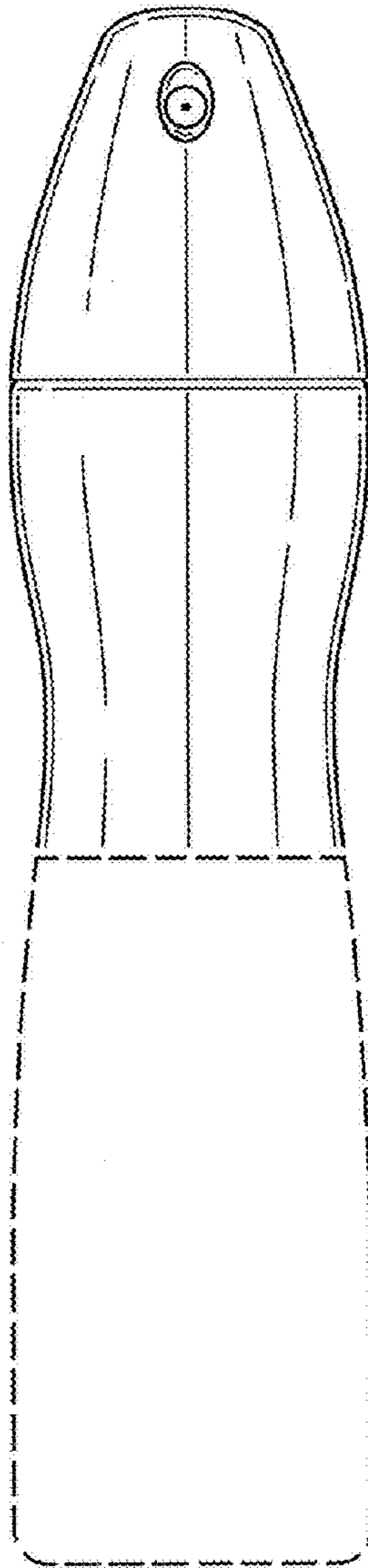


Fig. 2.

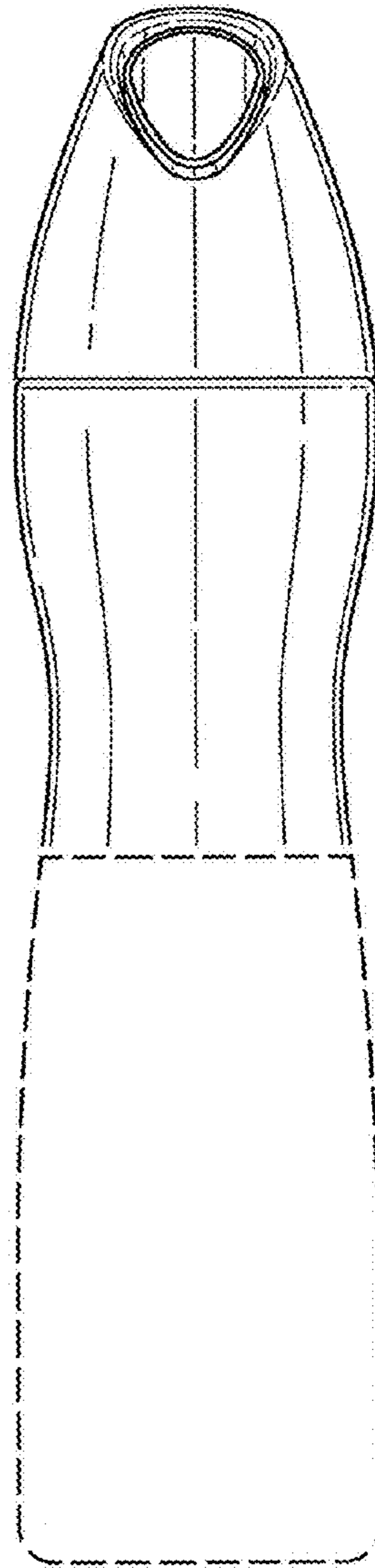


Fig. 3.

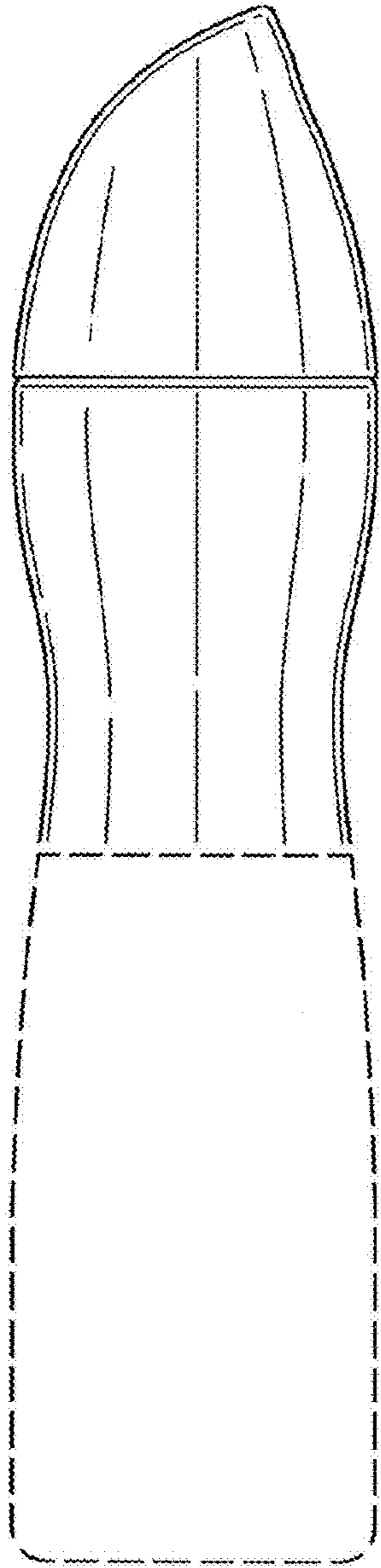


Fig.4.

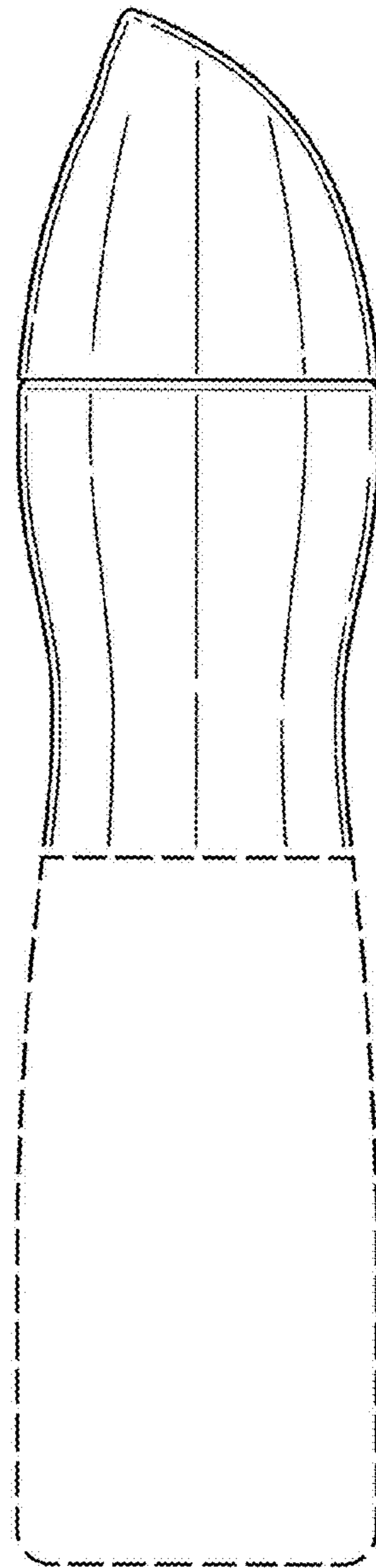


Fig.5.

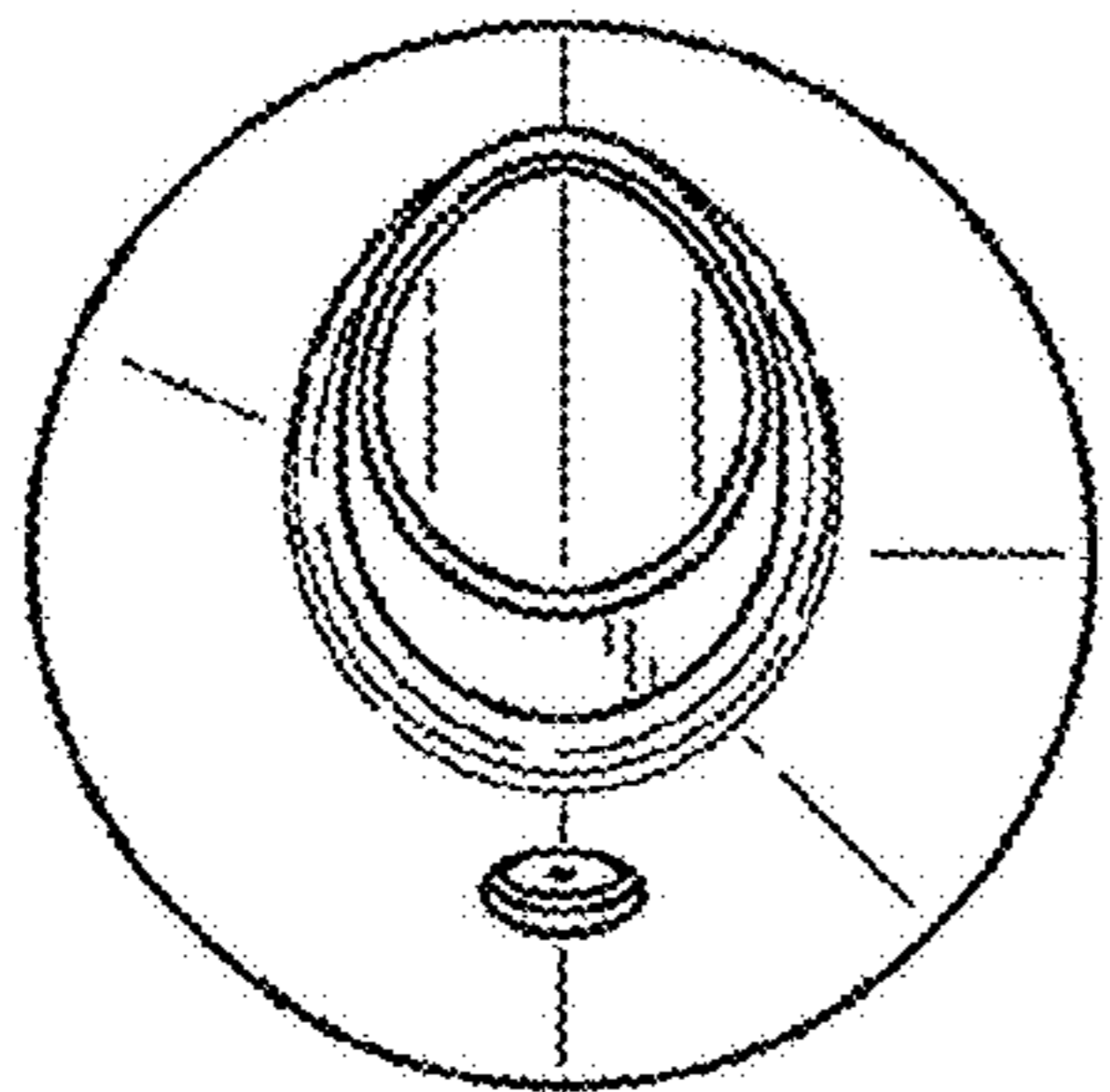


Fig.6.

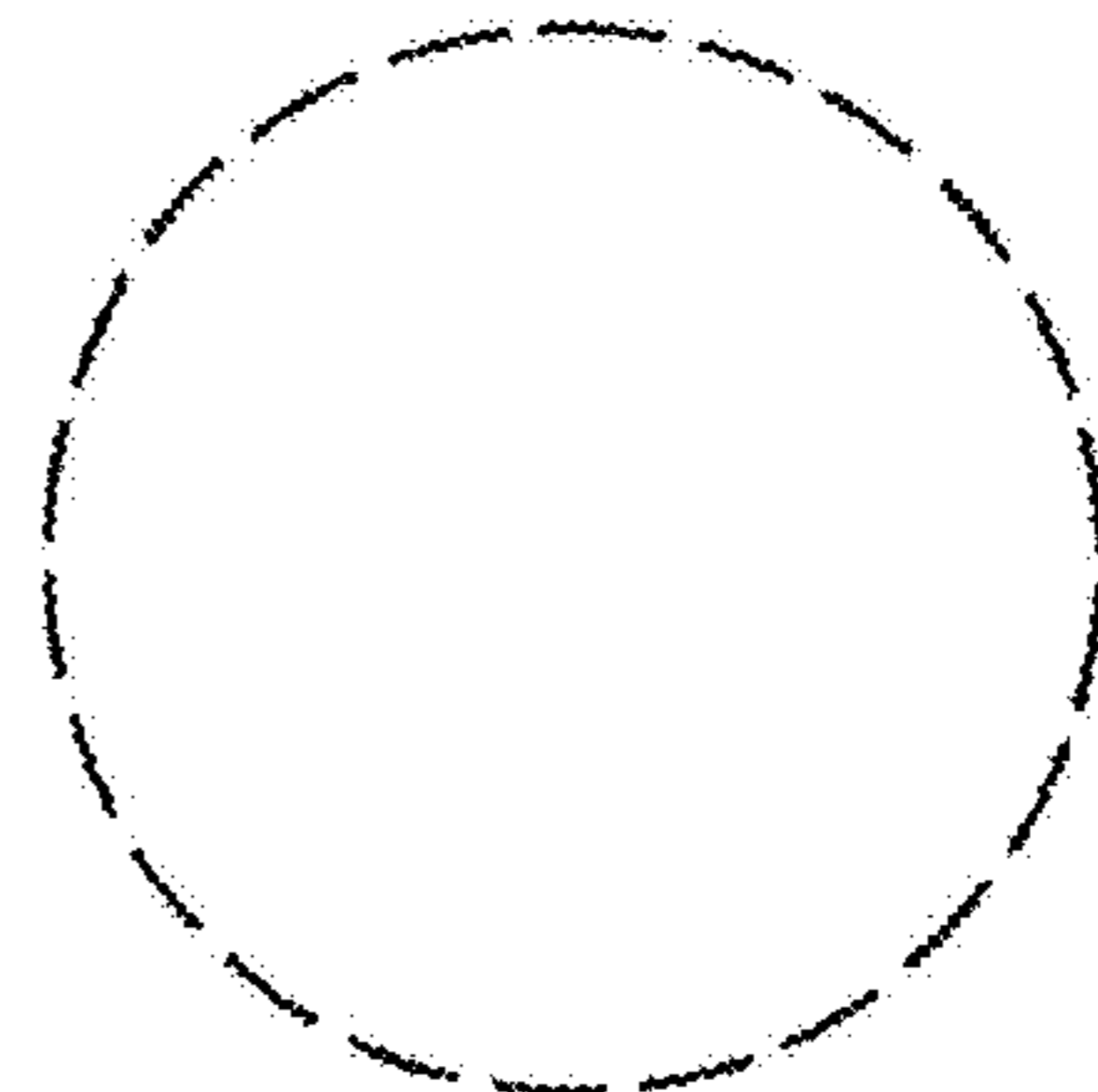


Fig.7.