



US00D643301S

(12) **United States Design Patent**  
**Consylman**

(10) **Patent No.:** **US D643,301 S**  
(45) **Date of Patent:** **\*\* Aug. 16, 2011**

(54) **GOLD BAR DEODORIZER CONTAINER**

(75) Inventor: **Dean W. Consylman**, Madison, AL (US)

(73) Assignee: **Dean W. Consylman**, Madison, AL (US)

(\*\*) Term: **14 Years**

(21) Appl. No.: **29/377,366**

(22) Filed: **Oct. 20, 2010**

(51) **LOC (9) Cl.** ..... **09-01**

(52) **U.S. Cl.** ..... **D9/600; D9/431**

(58) **Field of Classification Search** ..... **D9/600,**  
**D9/682, 686-687, 693-694, 414, 430-433;**  
**206/457-458, 527; 215/400; 220/890; D23/367**  
See application file for complete search history.

(56) **References Cited**

**U.S. PATENT DOCUMENTS**

D365,755 S	1/1996	Kanfer et al.	
D422,412 S	4/2000	Greene	
D425,787 S	5/2000	Kellar	
D459,651 S *	7/2002	Gagnon	D9/687
D461,124 S	8/2002	Ma	
D507,375 S	7/2005	Lin	
D557,601 S	12/2007	Minidis	
D575,635 S	8/2008	Rozenzweig	
D610,463 S *	2/2010	Duchaufour-Lawrance	D9/600

**OTHER PUBLICATIONS**

Locarno Registration No. 1010035 issued Apr. 21, 1983.  
Gold Bar Box, "SOPH. Hong Kong Grand Opening uniform experiment T-shirt," by Eugene Kan, Aug. 9, 2010, 1 page, found at <http://hypebeast.com/2010/08/soph-hong-kong-grand-opening-uniform-experiment-tshirt/>.  
Gold Buillon Wireless Mouse, 1 page, found at <http://www.iwantoneofthose.com/new-arrivals/gold-buillon-wireless-mouse/index.html>, undated.

Gold Bars USB Flash Drive, Feb. 19, 2009, 1 page, found at <http://craziestgadgets.com/2009/02/19/gold-bars-usb-flash-drive/>.

Foil Gold Bar Favor Boxes, 1 page, found at <http://www.shindigz.com/party/Foil-Gold-Bar-Favor-Boxes.cfm>, undated.

Money Box—Gold Bar, 2 pages, found at [http://www.oo.com/au/Money\\_Box\\_-\\_Gold\\_Bar\\_P40042C2342.cfm?cm\\_mmc=clixalore\\_-\\_affiliate\\_-\\_datafeed\\_-\\_null&cm\\_mmc=clixau\\_-\\_text\\_-\\_Text%20Banner%201\\_-\\_Generic](http://www.oo.com/au/Money_Box_-_Gold_Bar_P40042C2342.cfm?cm_mmc=clixalore_-_affiliate_-_datafeed_-_null&cm_mmc=clixau_-_text_-_Text%20Banner%201_-_Generic), undated.

Chanel Gold Bar Clutch, May 14, 2010, 1 page, found at <http://www.chanelashop.com/chanelashoparticles/ChanelGoldBarClutch.htm>.

\* cited by examiner

*Primary Examiner* — Sandra Morris

(74) *Attorney, Agent, or Firm* — Angela Holt; Lanier Ford Shaver & Payne, P.C.

(57) **CLAIM**

The ornamental design for a gold bar deodorizer container, as shown and described.

**DESCRIPTION**

FIG. 1 is a front perspective view of a gold bar deodorizer container, showing my new design;

FIG. 2 is a rear perspective view of the gold bar deodorizer of FIG. 1.

FIG. 3 is a top plan view of the gold bar deodorizer of FIG. 1.

FIG. 4 is a bottom plan view of the gold bar deodorizer of FIG. 1.

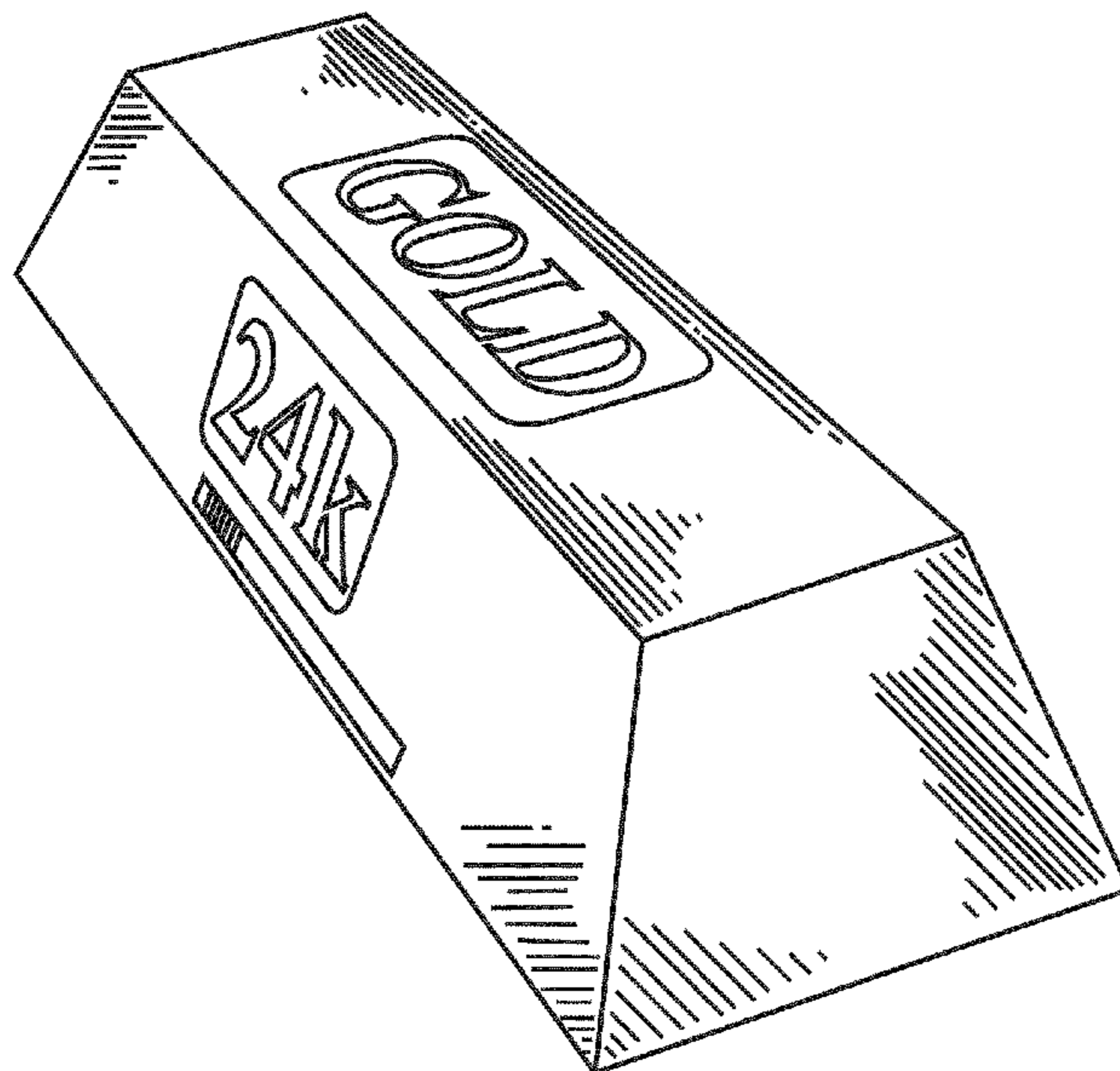
FIG. 5 is a front plan view of the gold bar deodorizer of FIG. 1.

FIG. 6 is a rear plan view of the gold bar deodorizer of FIG. 1.

FIG. 7 is a right side plan view of the gold bar deodorizer of FIG. 1; and,

FIG. 8 is a left side plan view of the gold bar deodorizer of FIG. 1.

**1 Claim, 4 Drawing Sheets**



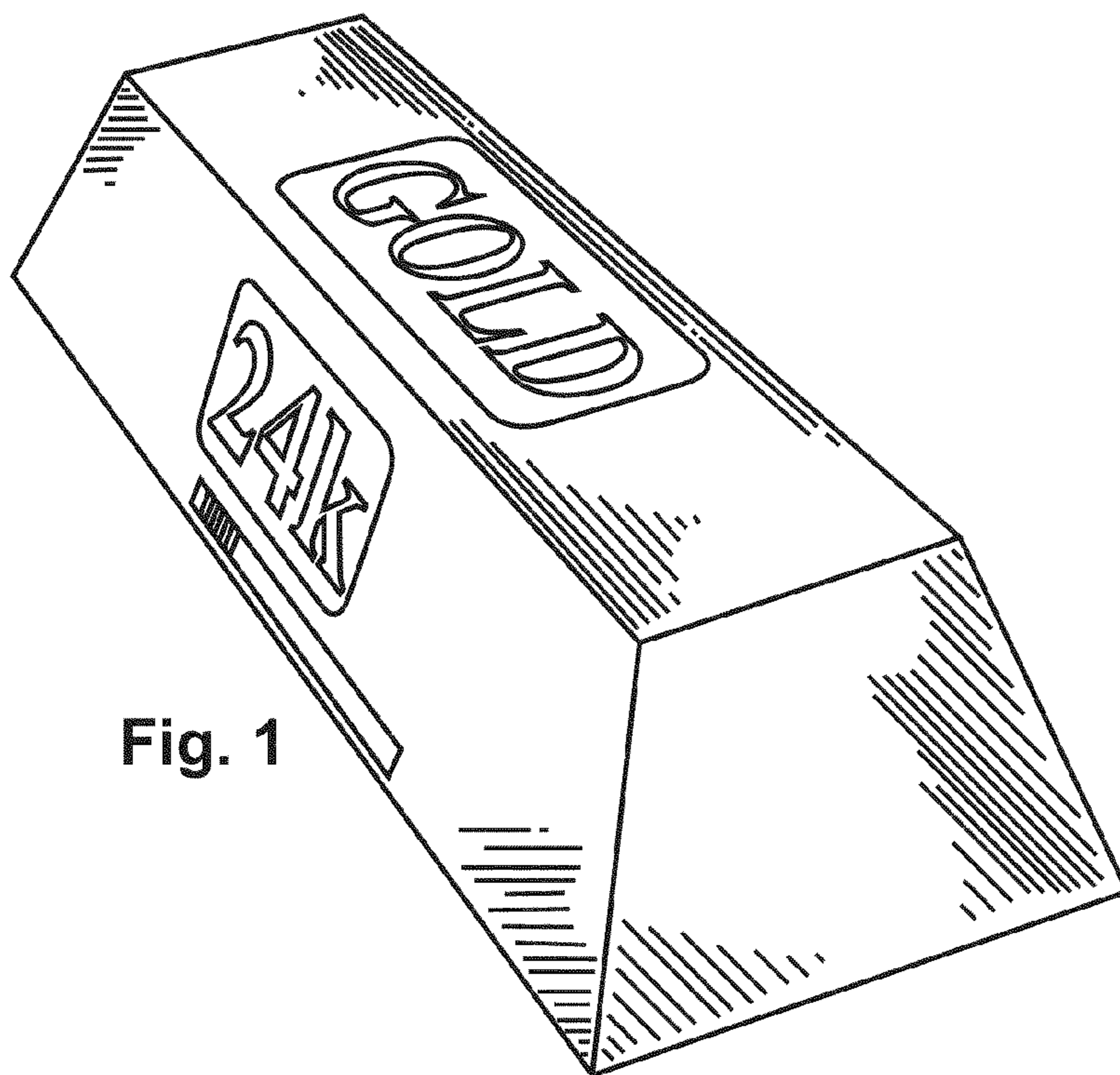


Fig. 1

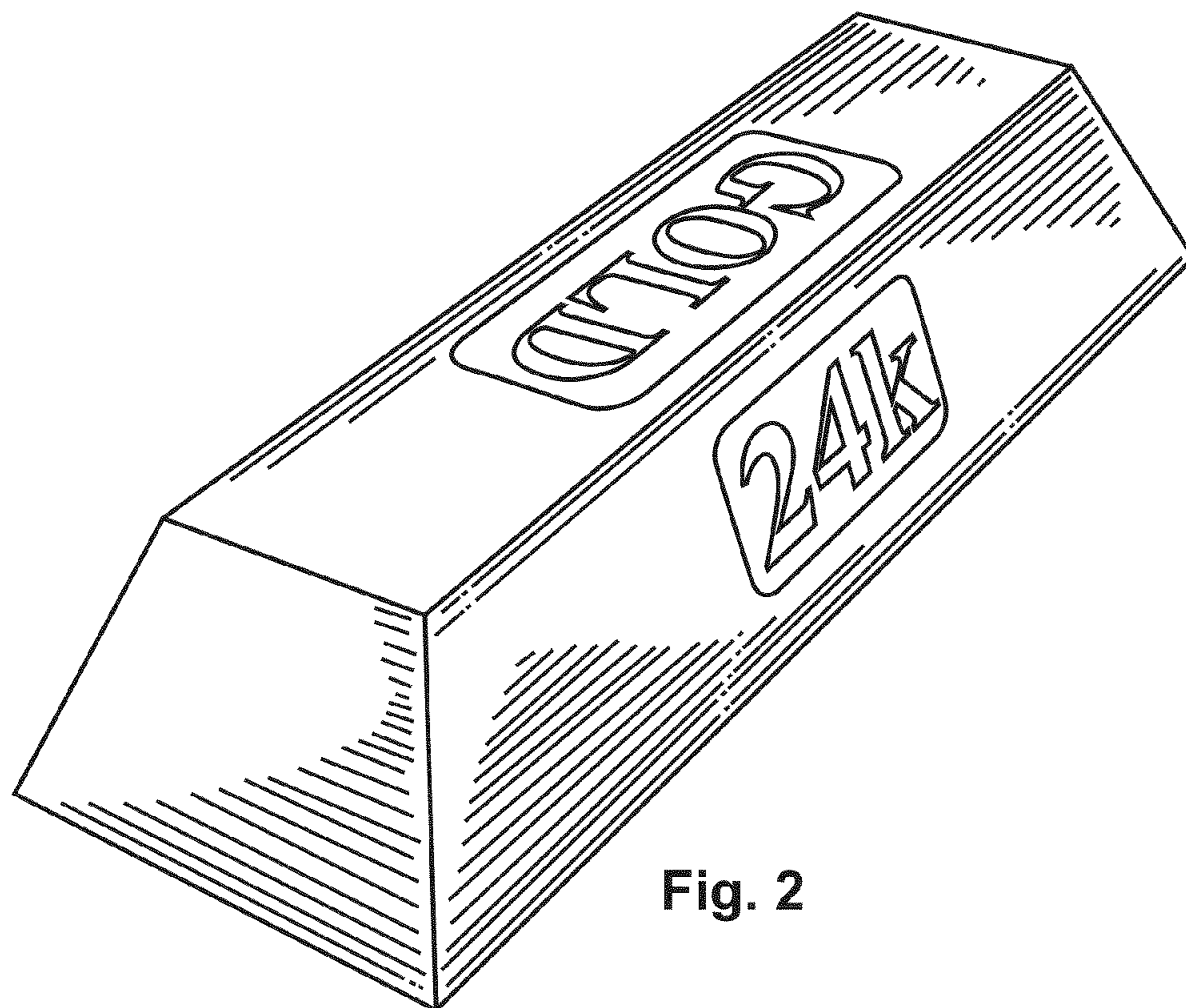


Fig. 2



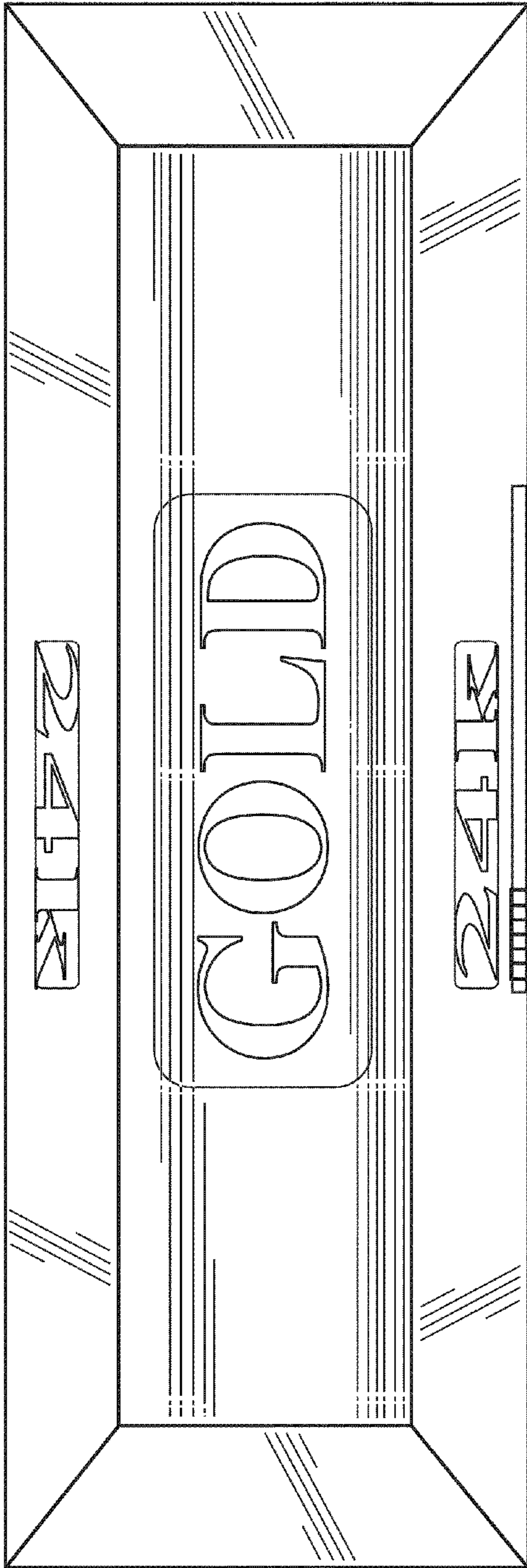


Fig. 3

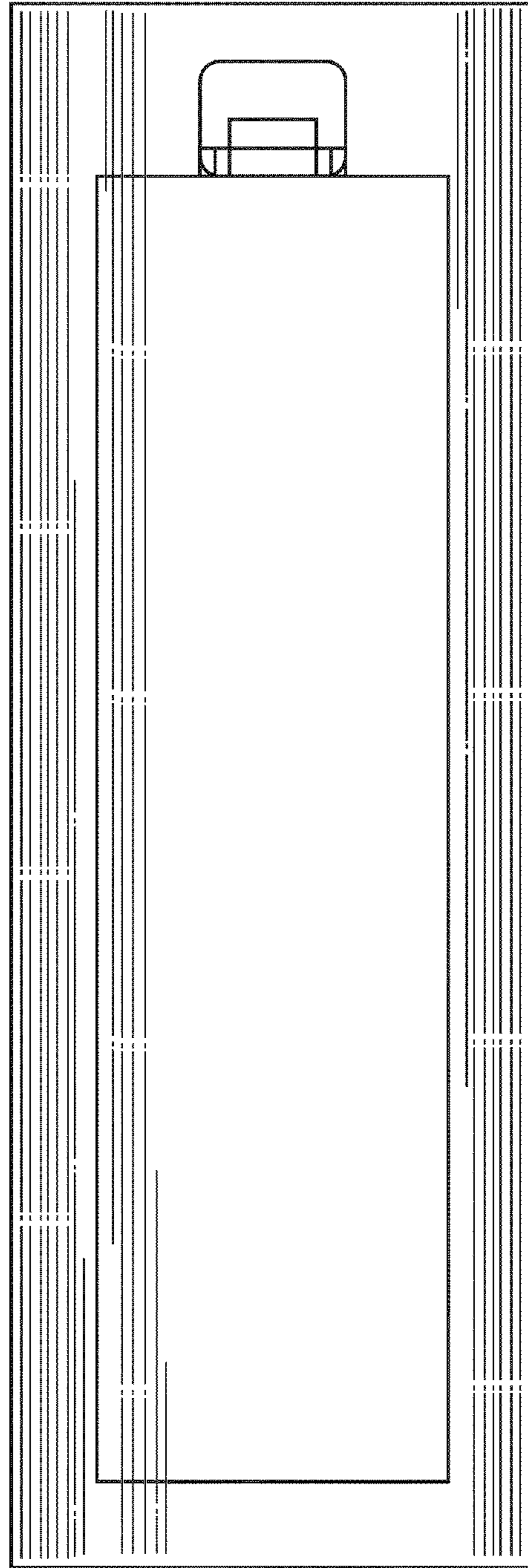


Fig. 4

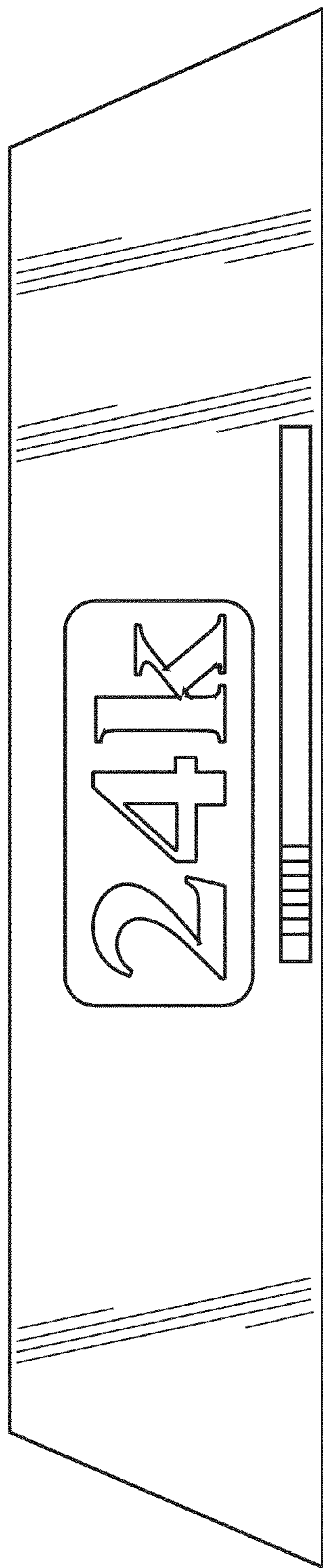


Fig. 5

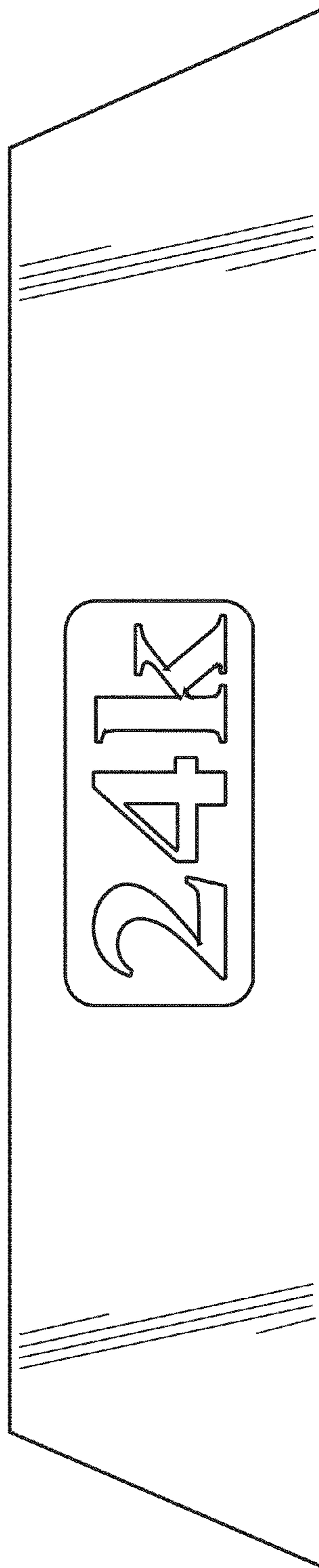


Fig. 6

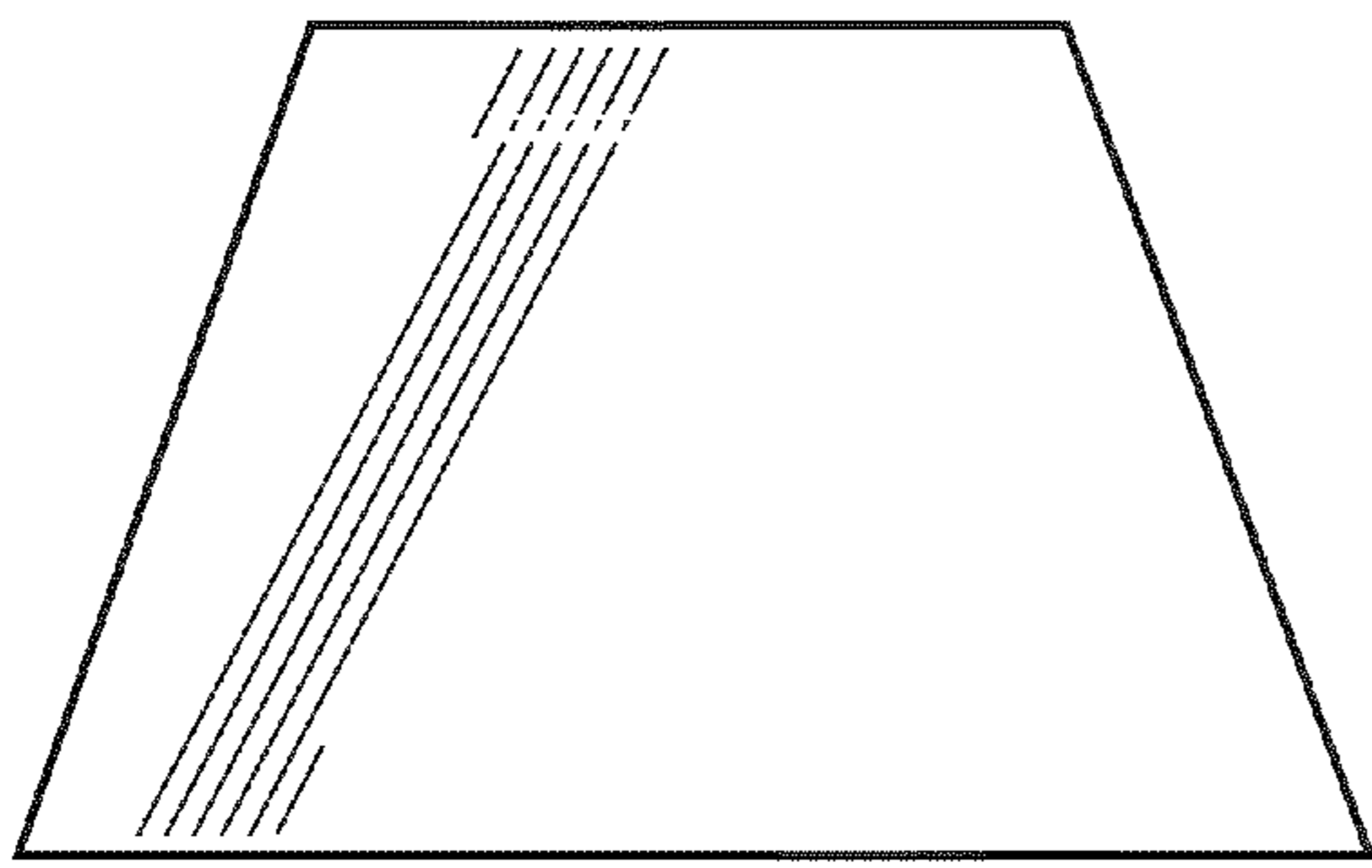


Fig. 7

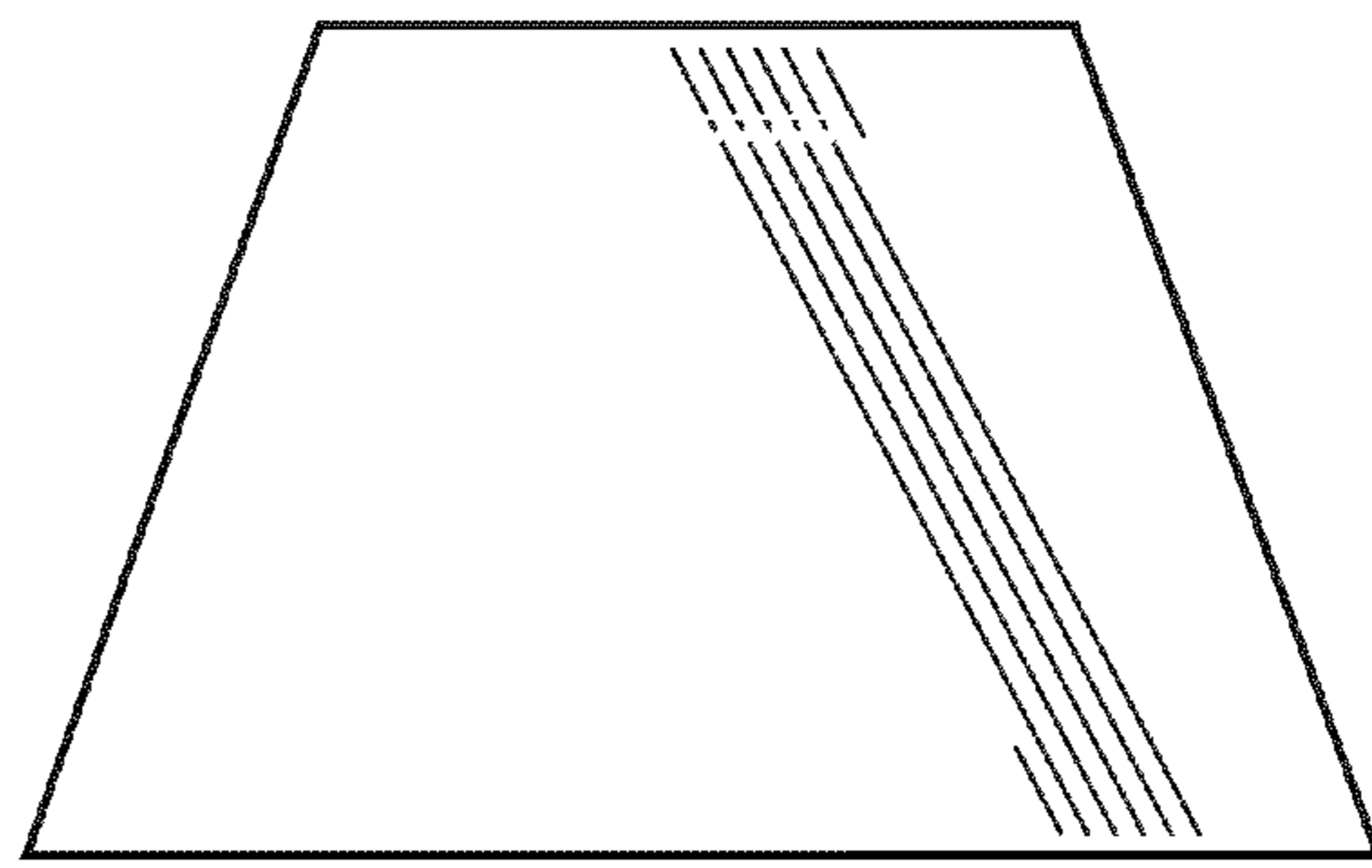


Fig. 8