



US00D643299S

(12) **United States Design Patent**
Bunce et al.

(10) **Patent No.:** **US D643,299 S**

(45) **Date of Patent:** **** Aug. 16, 2011**

(54) **CONTAINER**

(75) Inventors: **Martin C. Bunce**, Marlborough (GB);
John D. Lamb, Marlborough (GB);
Mark Watson, Marlborough (GB)

(73) Assignee: **LRC Products Limited**, Slough,
Berkshire (GB)

(**) Term: **14 Years**

(21) Appl. No.: **29/347,755**

(22) Filed: **May 13, 2010**

(30) **Foreign Application Priority Data**

Nov. 13, 2009 (EM) 001178925-0001

(51) **LOC (9) Cl.** **09-01**

(52) **U.S. Cl.** **D9/529; D9/530; D9/521**

(58) **Field of Classification Search** D9/434,
D9/435, 444, 454, 516, 520, 521, 529, 530,
D9/537, 539, 542, 549, 551, 574; 215/381-385,
215/355, 396-398; 220/660, 662, 669
See application file for complete search history.

(56) **References Cited**

U.S. PATENT DOCUMENTS

D230,954 S * 3/1974 Gregoriette D9/504
D234,188 S * 1/1975 Otis D9/428

D245,398 S * 8/1977 Grodin D9/529
D280,140 S * 8/1985 Bakic D9/529
D289,858 S * 5/1987 Duval et al. D9/529
D518,384 S * 4/2006 Walters et al. D9/529
D538,482 S * 3/2007 Martinez D9/529
D555,012 S * 11/2007 Yamauchi et al. D9/724
D577,591 S * 9/2008 Bouroullec et al. D9/529
D618,397 S * 6/2010 Dubitsky et al. D28/89
D629,252 S * 12/2010 Alviar et al. D7/510

* cited by examiner

Primary Examiner — Prabhakar Deshmukh

Assistant Examiner — Keli L Hill

(74) *Attorney, Agent, or Firm* — Ryan A. Schneider;
Troutman Sanders LLP

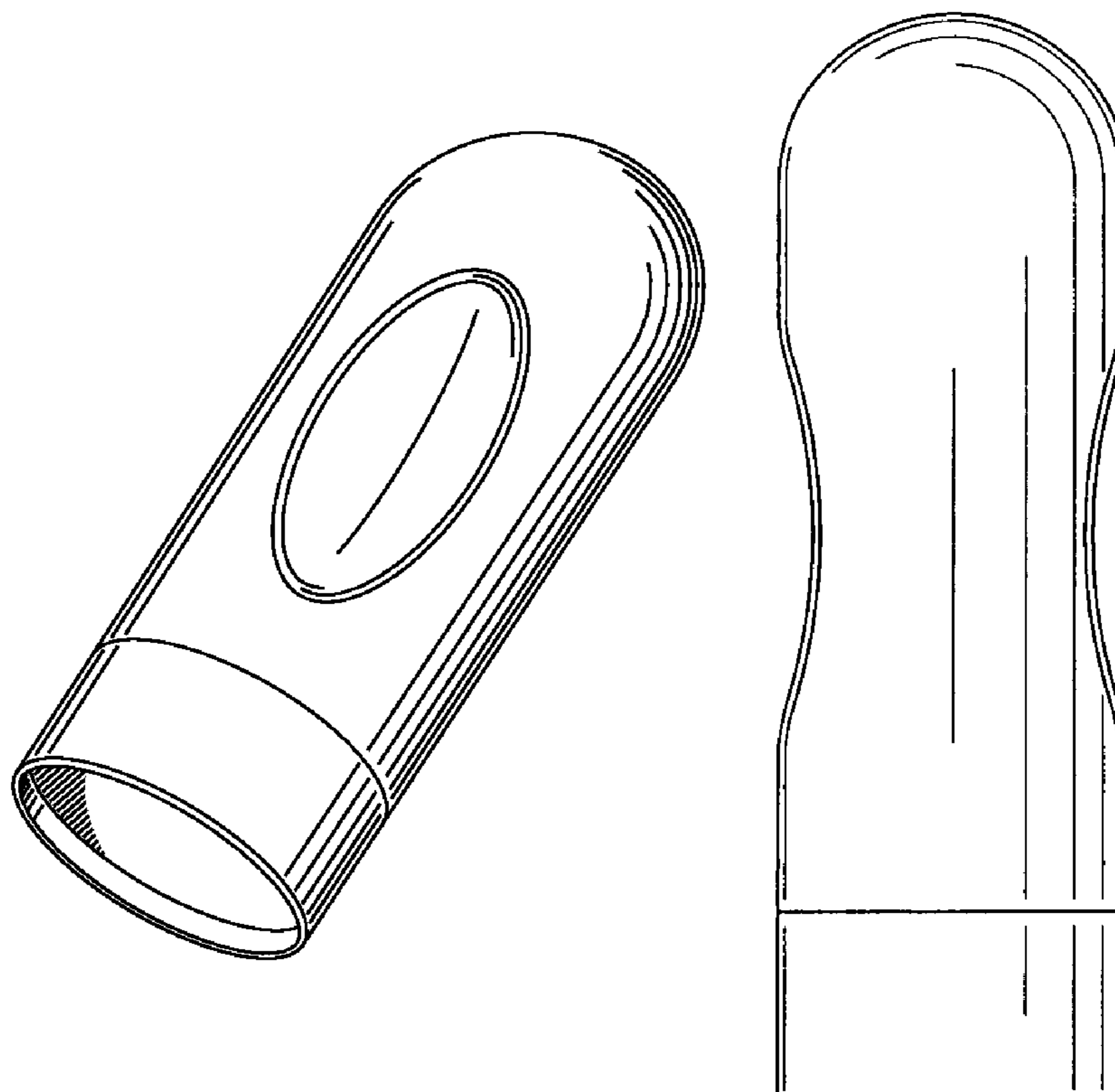
(57) **CLAIM**

The ornamental design for a container, as shown and described.

DESCRIPTION

FIG. 1 is a top perspective view of a container showing our new and ornamental design,
FIG. 2 is a bottom perspective view thereof,
FIG. 3 is a front view thereof,
FIG. 4 is a rear view thereof,
FIG. 5 is a left side view thereof,
FIG. 6 is a right side view thereof,
FIG. 7 is a top plan view thereof; and,
FIG. 8 is a bottom plan view thereof.

1 Claim, 2 Drawing Sheets



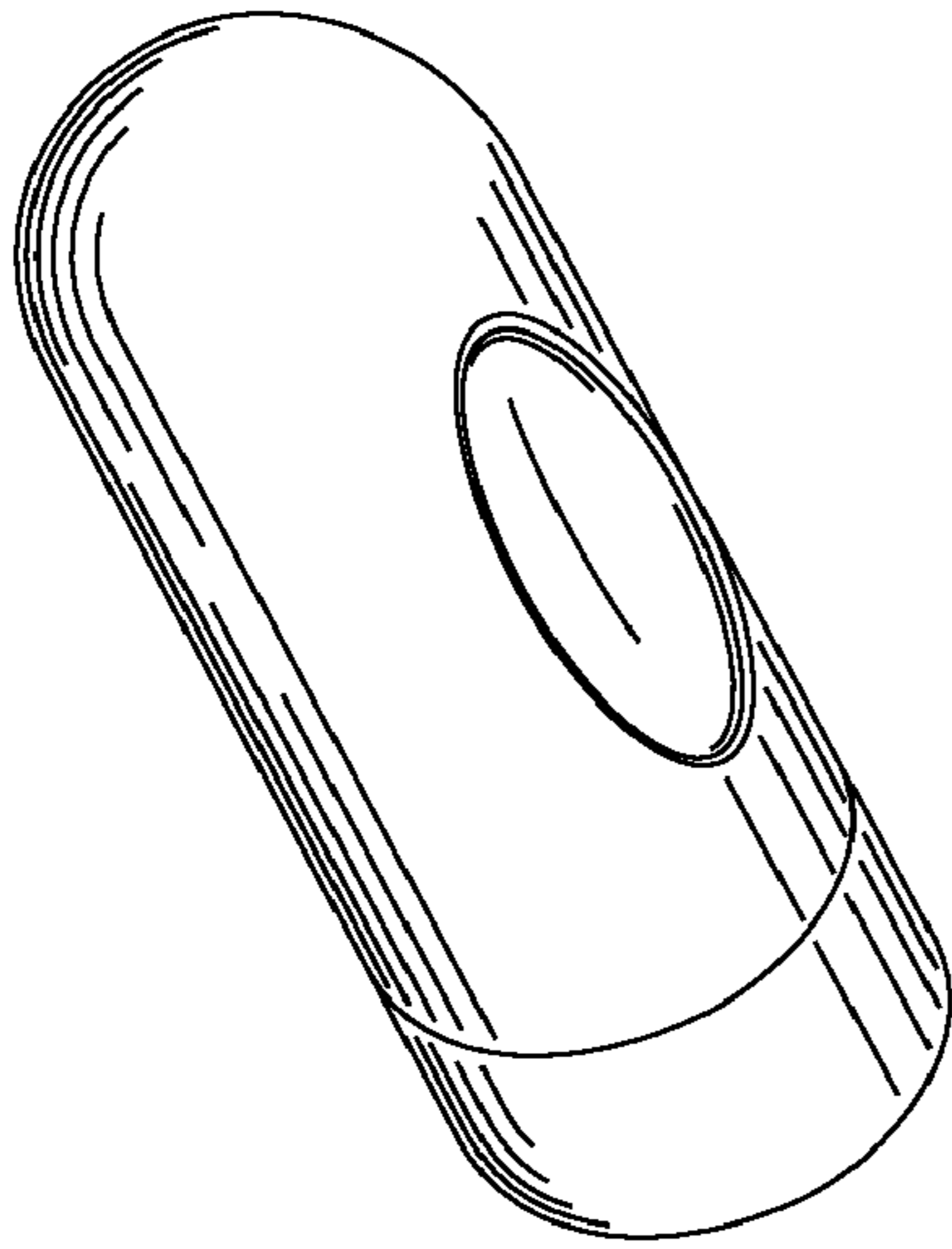


FIG. 1

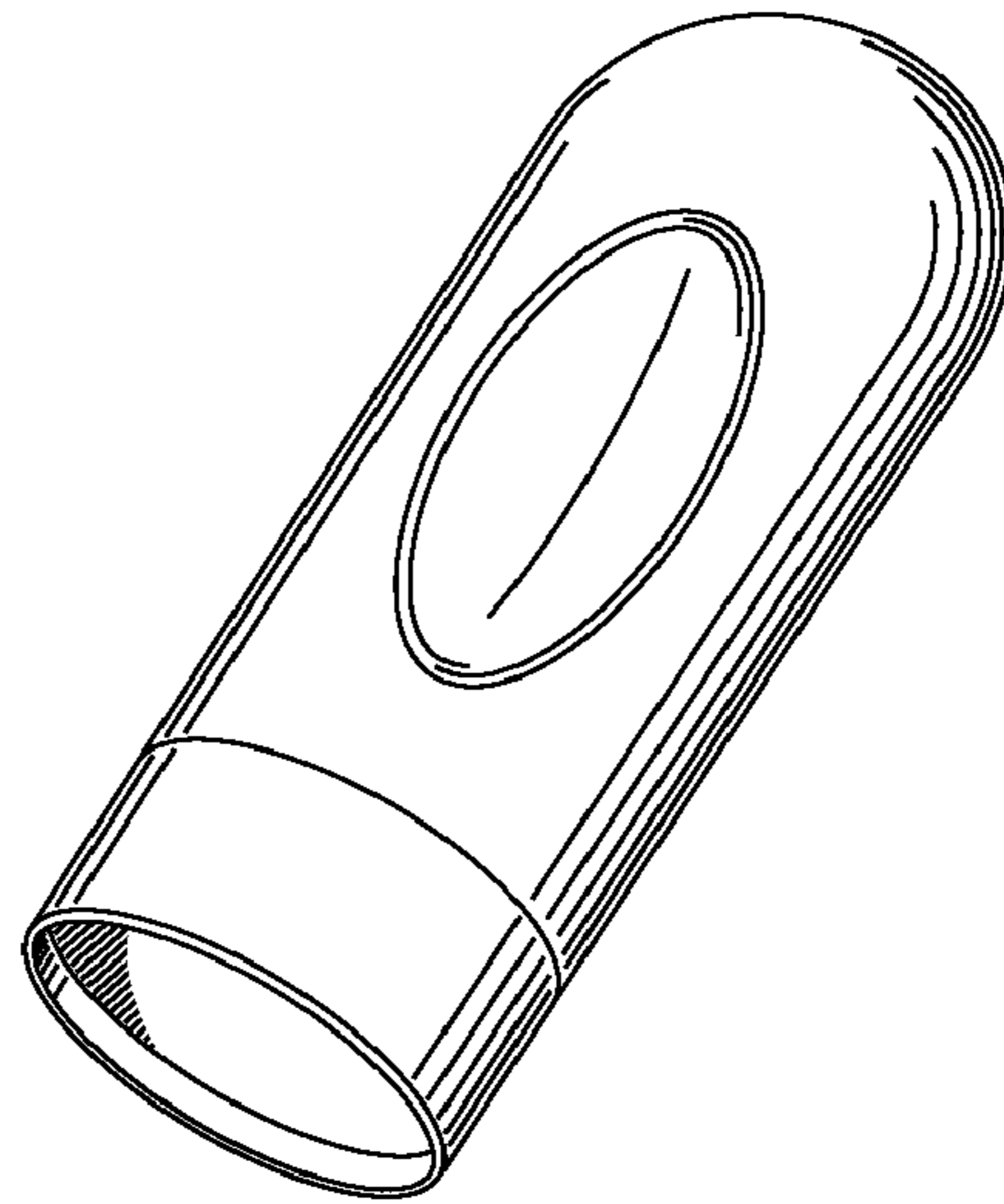


FIG. 2

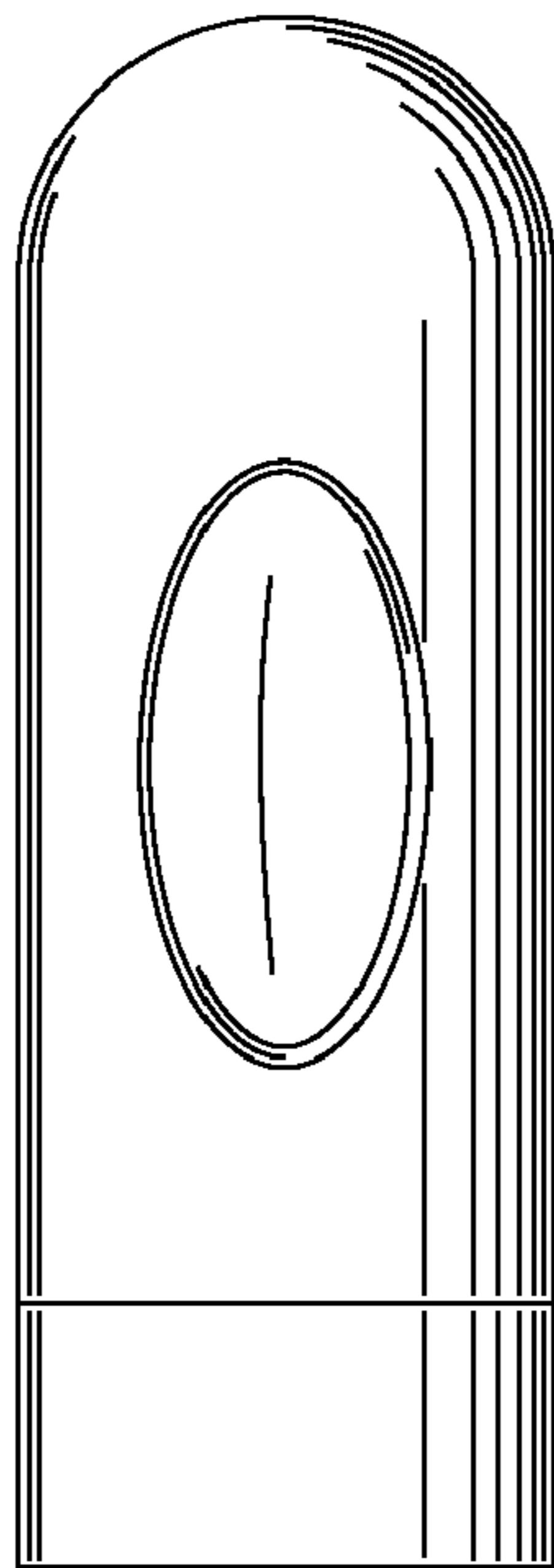


FIG. 3

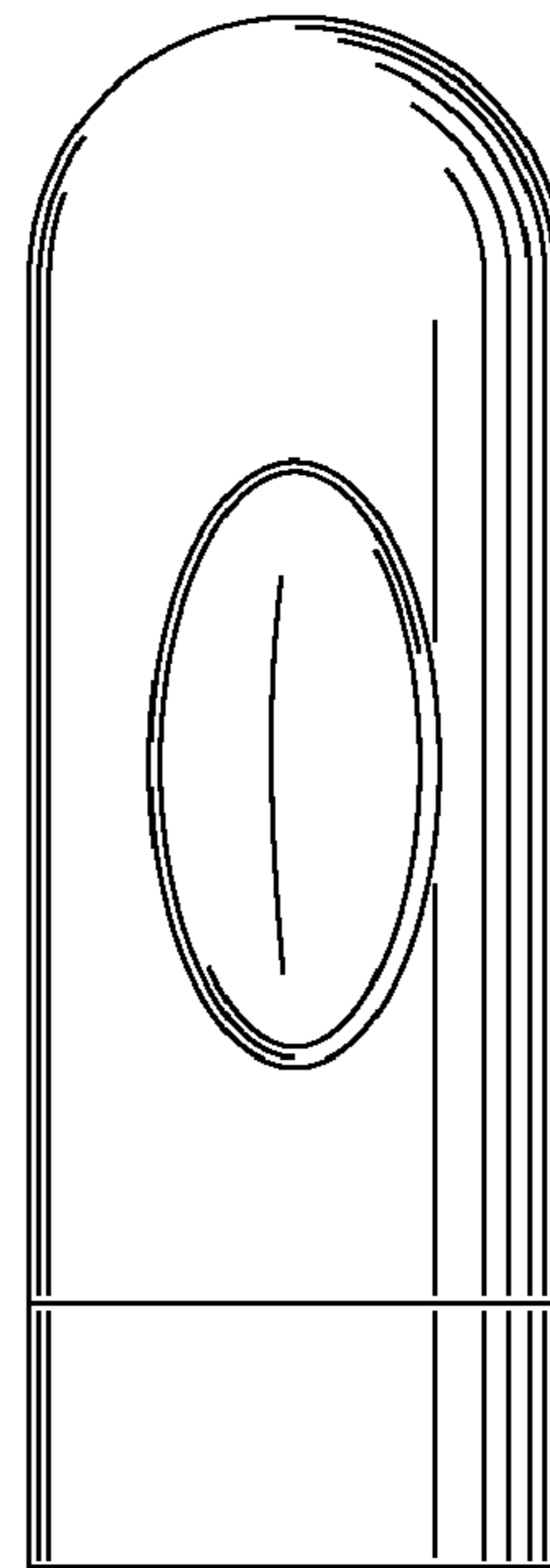


FIG. 4

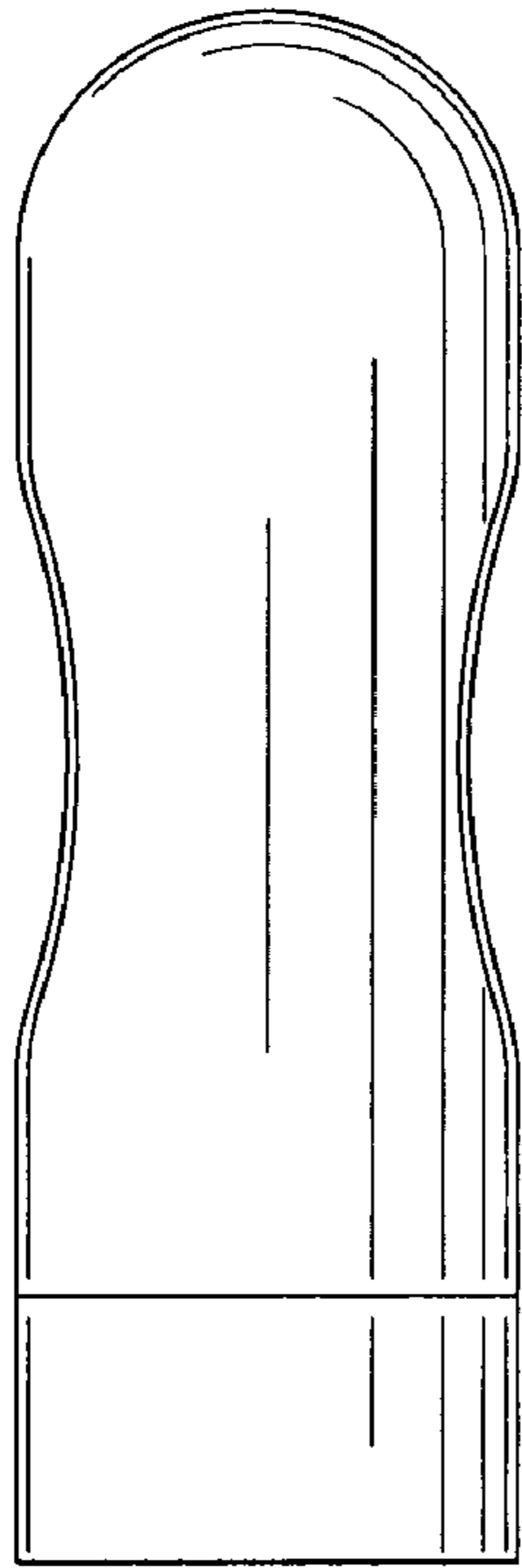


FIG. 5

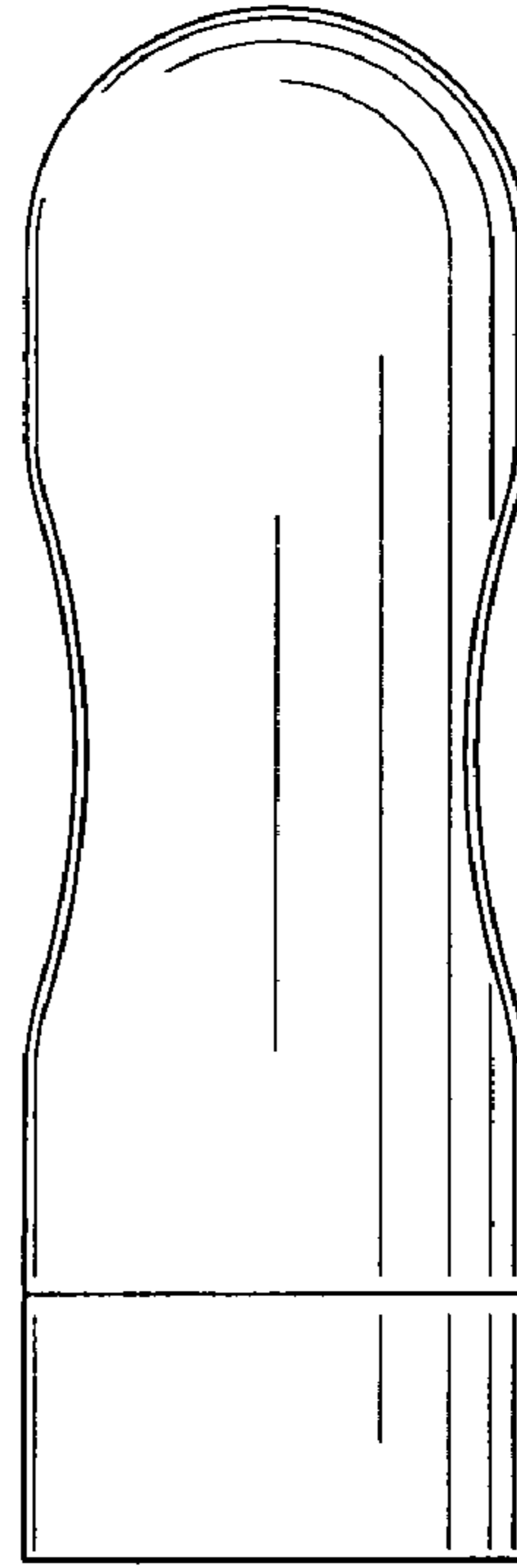


FIG. 6

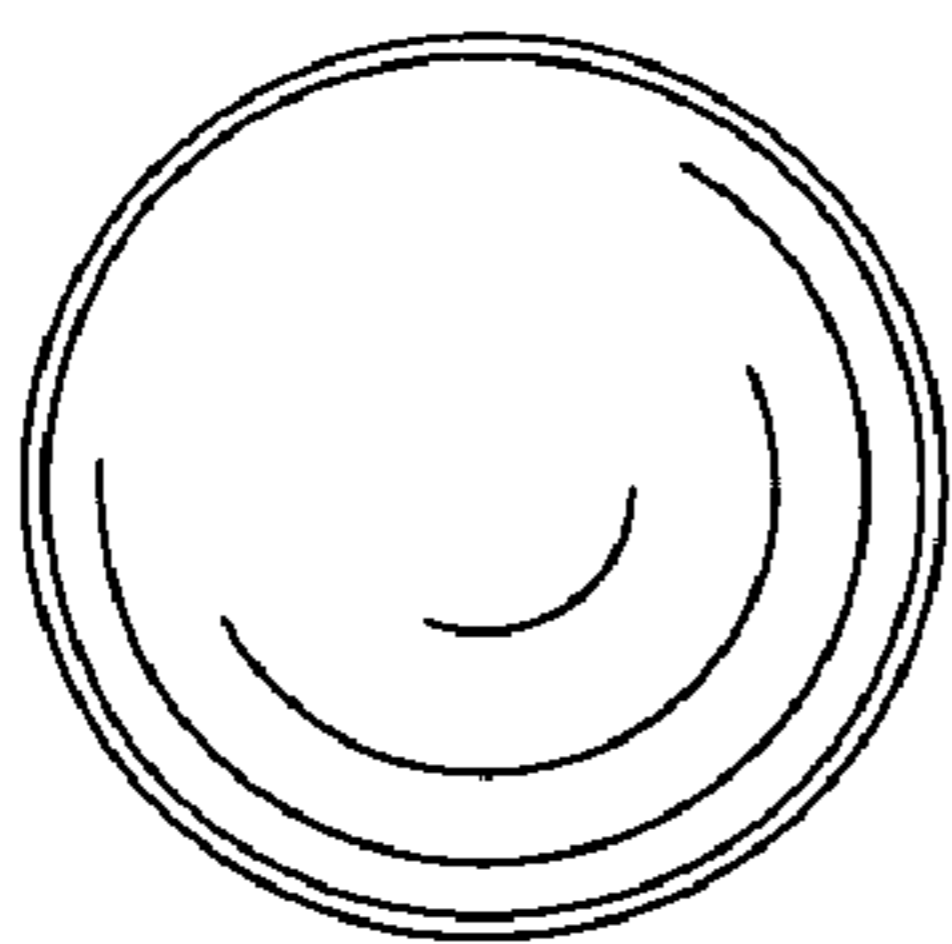


FIG. 7

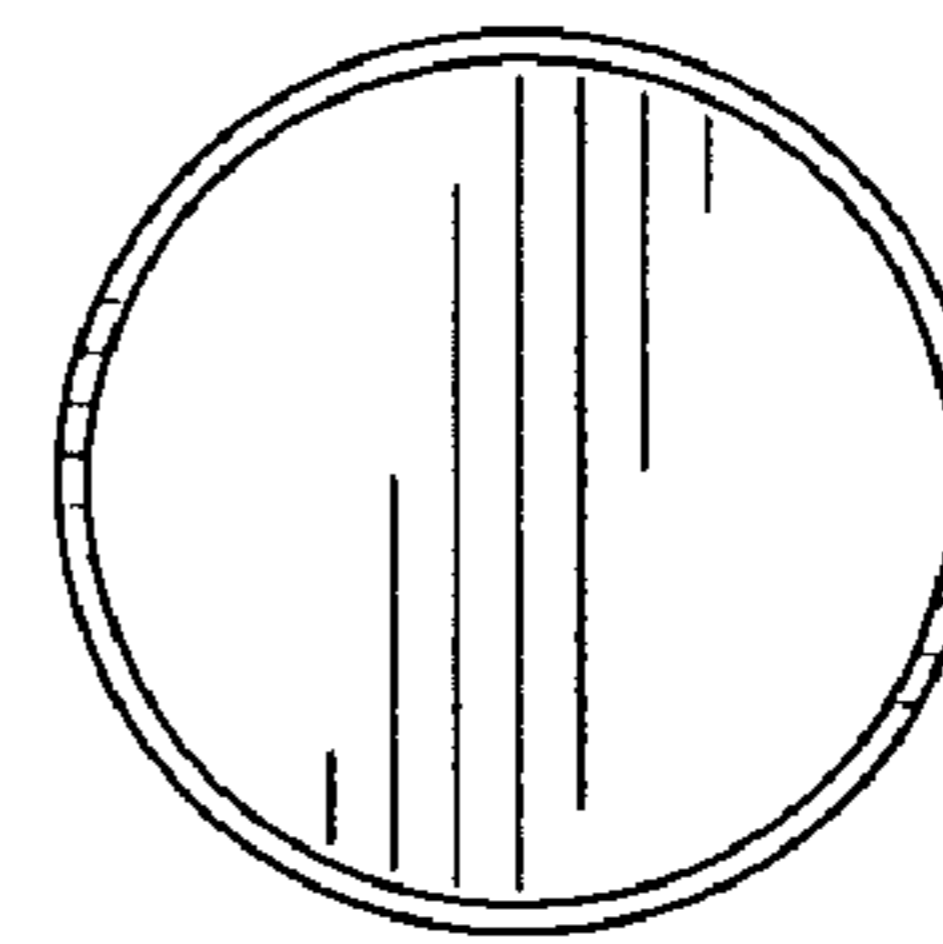


FIG. 8