



US00D643298S

(12) **United States Design Patent**
Gillespie

(10) **Patent No.:** **US D643,298 S**

(45) **Date of Patent:** **** Aug. 16, 2011**

(54) **BOTTLE**

(76) **Inventor:** **Elliott Gillespie, Ottawa (CA)**

(**) **Term:** **14 Years**

(21) **Appl. No.:** **29/340,738**

(22) **Filed:** **Jul. 24, 2009**

(51) **LOC (9) Cl.** **09-01**

(52) **U.S. Cl.** **D9/526; D9/572; D9/575**

(58) **Field of Classification Search** D9/430,
D9/431, 516, 521, 523, 525, 526, 559, 560,
D9/561, 566, 572, 575; 215/379, 381-385;
220/600, 602, 604, 660, 662, 665

See application file for complete search history.

(56) **References Cited**

U.S. PATENT DOCUMENTS

D190,528 S *	6/1961	Brandeis	D9/543
D200,357 S *	2/1965	Grof	D9/543
D219,505 S *	12/1970	Wakamatsu	D9/432
D258,346 S *	2/1981	Winchell et al.	D9/520
D258,571 S *	3/1981	Hirtle	D9/560
D258,720 S *	3/1981	Evans et al.	D9/520
D304,296 S *	10/1989	Wilson et al.	D9/526
D304,686 S *	11/1989	Jarrin	D9/782
D314,330 S *	2/1991	Ambasz	D9/526
D326,007 S *	5/1992	Gilchrist	D32/43
D331,516 S *	12/1992	Waring	D6/545
D338,406 S *	8/1993	Bennebroek	D9/523
D342,140 S *	12/1993	Sakagami et al.	D24/224
D376,208 S *	12/1996	Rasmussen et al.	D24/224
D451,394 S *	12/2001	Studer	D9/521
D462,621 S *	9/2002	DeKoning et al.	D9/560
D472,155 S *	3/2003	DeKoning et al.	D9/560

D547,662 S *	7/2007	Hankins et al.	D9/530
D581,796 S *	12/2008	Padain et al.	D9/523
D586,221 S *	2/2009	Shaikh	D9/526
D600,125 S *	9/2009	Tarnacki et al.	D9/523

* cited by examiner

Primary Examiner — Stella Reid

Assistant Examiner — Elizabeth J Oswecki

(74) *Attorney, Agent, or Firm* — Mayback & Hoffman, P.A.;
Gregory L. Mayback; Katie M. Blakley

(57) **CLAIM**

The ornamental design for a bottle, as shown and described.

DESCRIPTION

FIG. 1 is a left side elevational view of a transparent bottle showing my new design, the right side being a mirror image thereof;

FIG. 2 is a front elevational view thereof;

FIG. 3 is a rear elevational view thereof;

FIG. 4 is a top plan view thereof;

FIG. 5 is a side perspective view thereof;

FIG. 6 is a left side elevational view of a non-transparent bottle showing my new design, the right side being a mirror image thereof;

FIG. 7 is a front elevational view thereof;

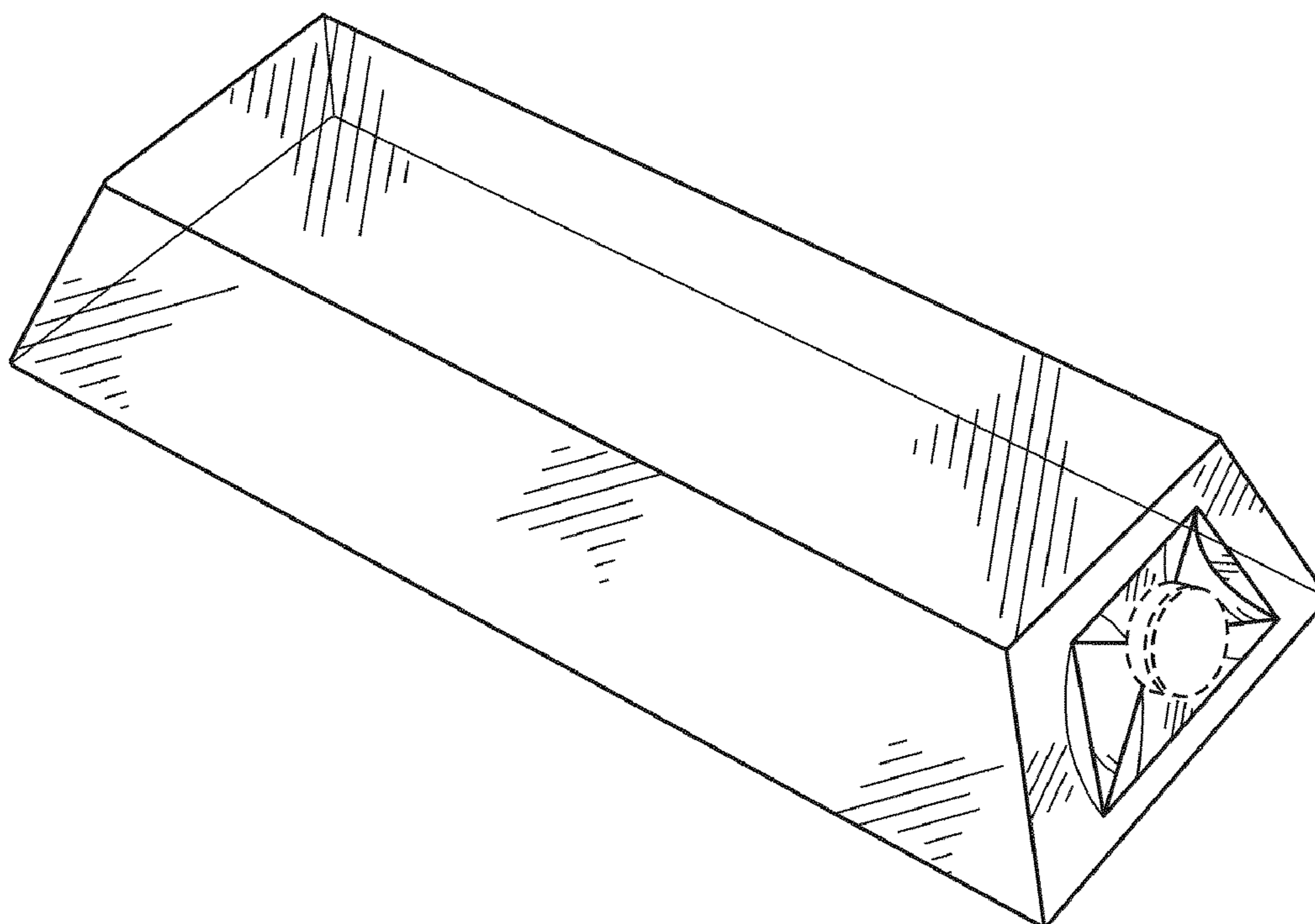
FIG. 8 is a rear elevational view thereof;

FIG. 9 is a top plan view thereof; and,

FIG. 10 is a side perspective view thereof.

In the drawings, the broken lines in FIGS. 2-5, 7, 9 and 10 depict portions of the design that form no part of the claim.

1 Claim, 2 Drawing Sheets



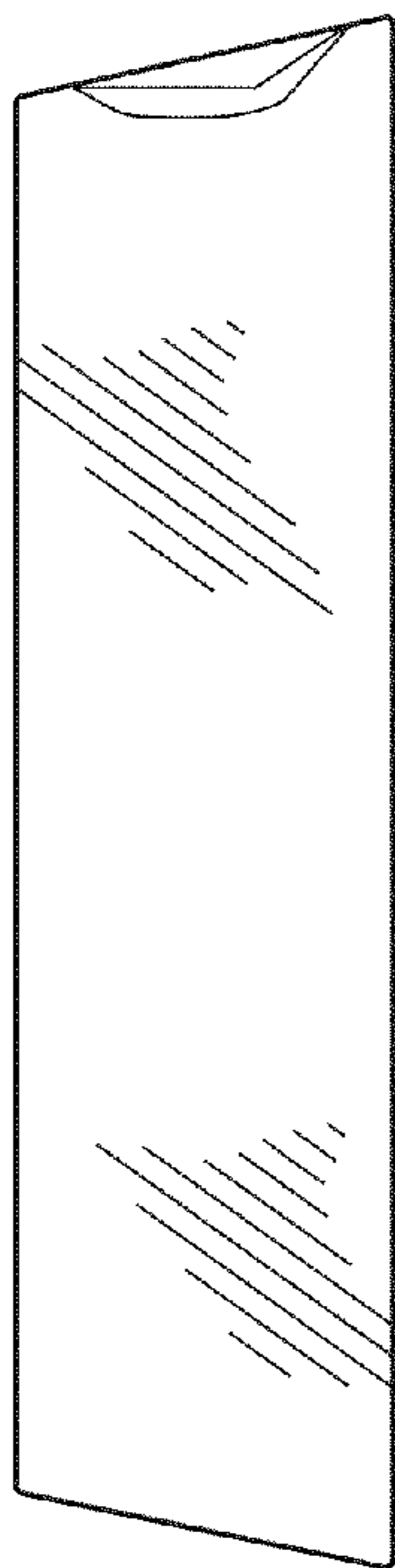


Fig. 1

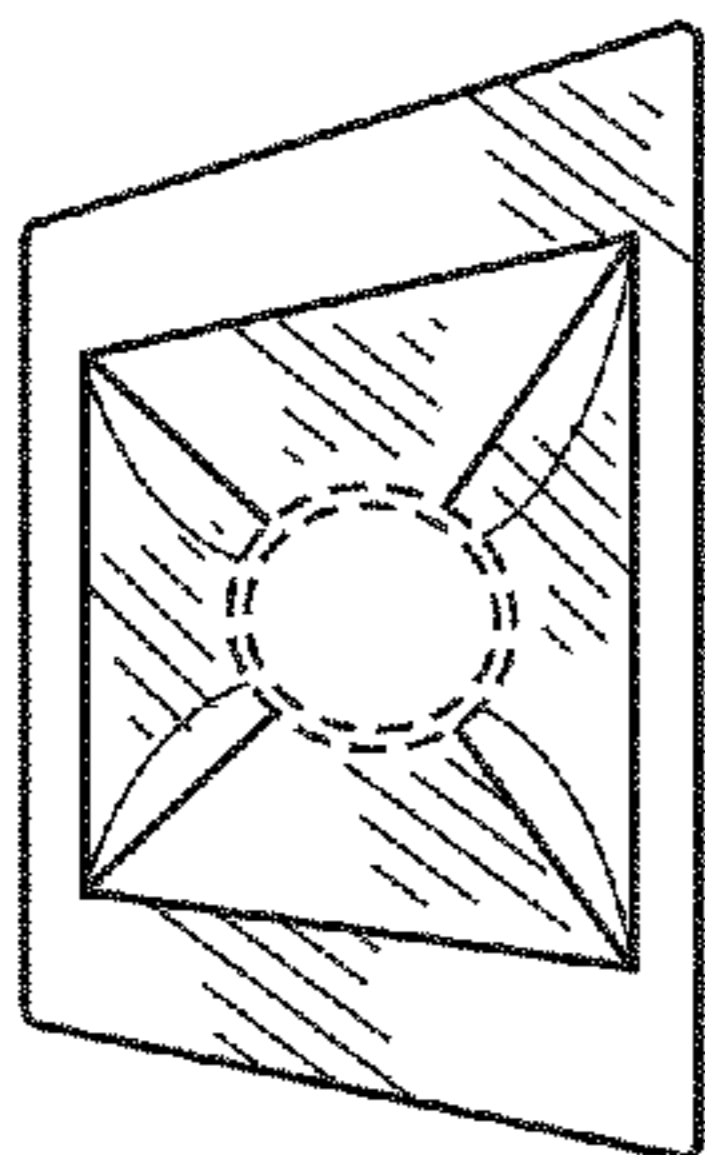


Fig. 2

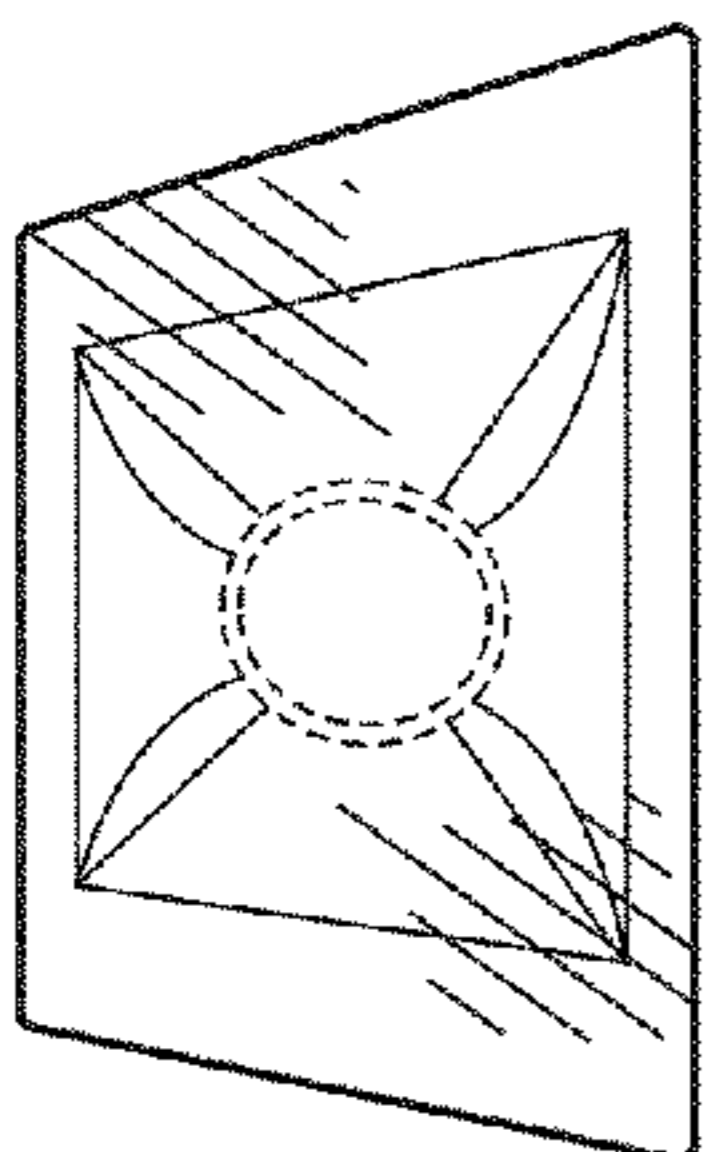


Fig. 3

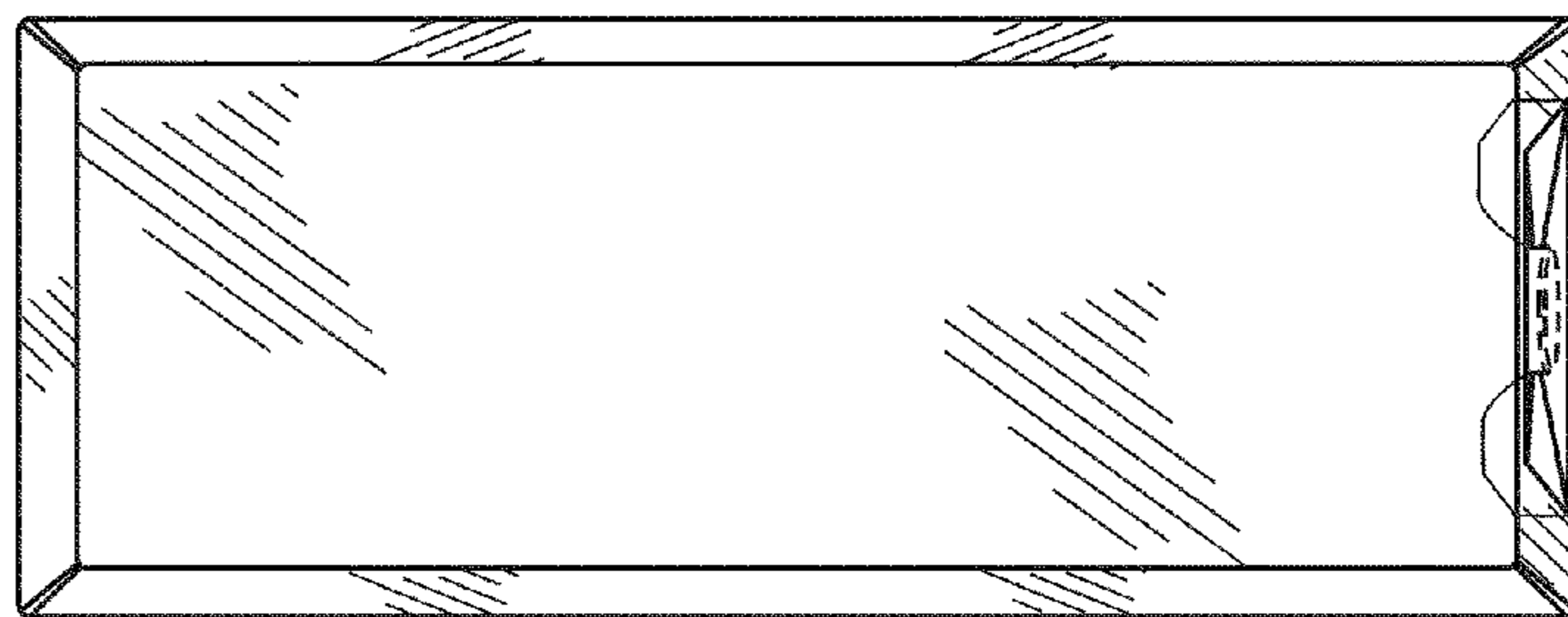


Fig. 4

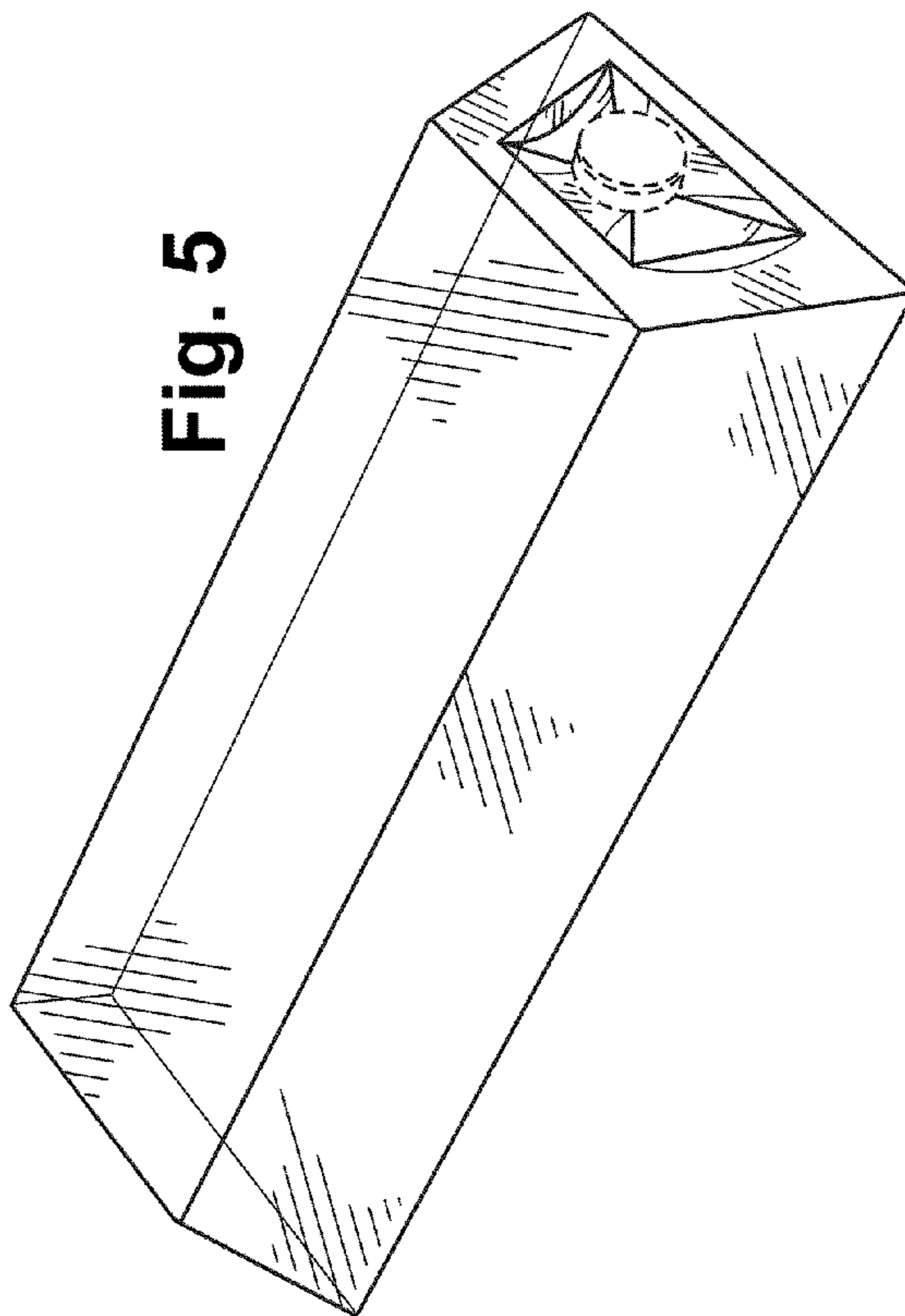


Fig. 5

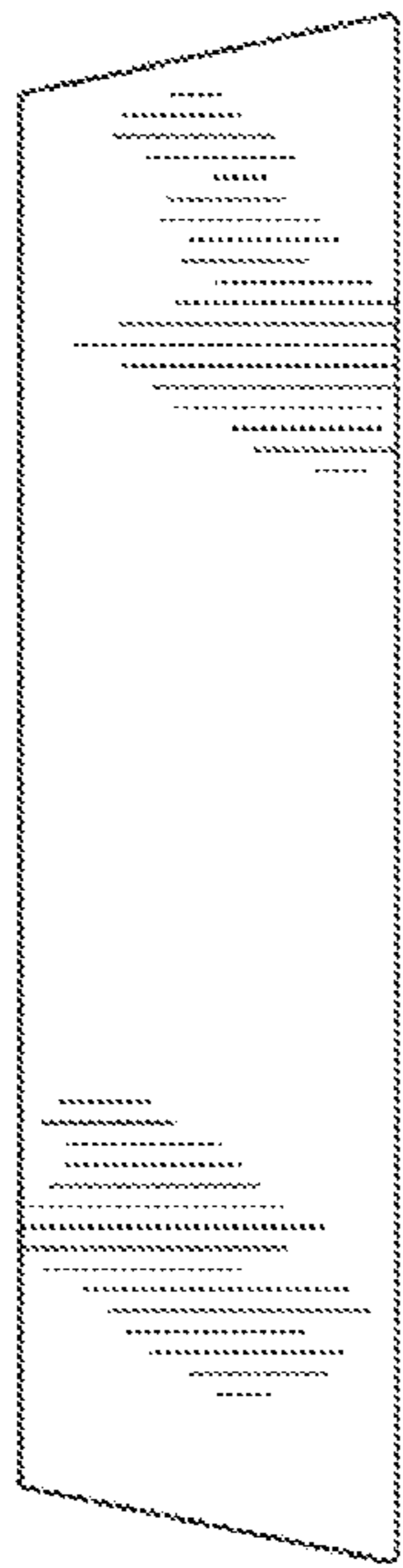


Fig. 6

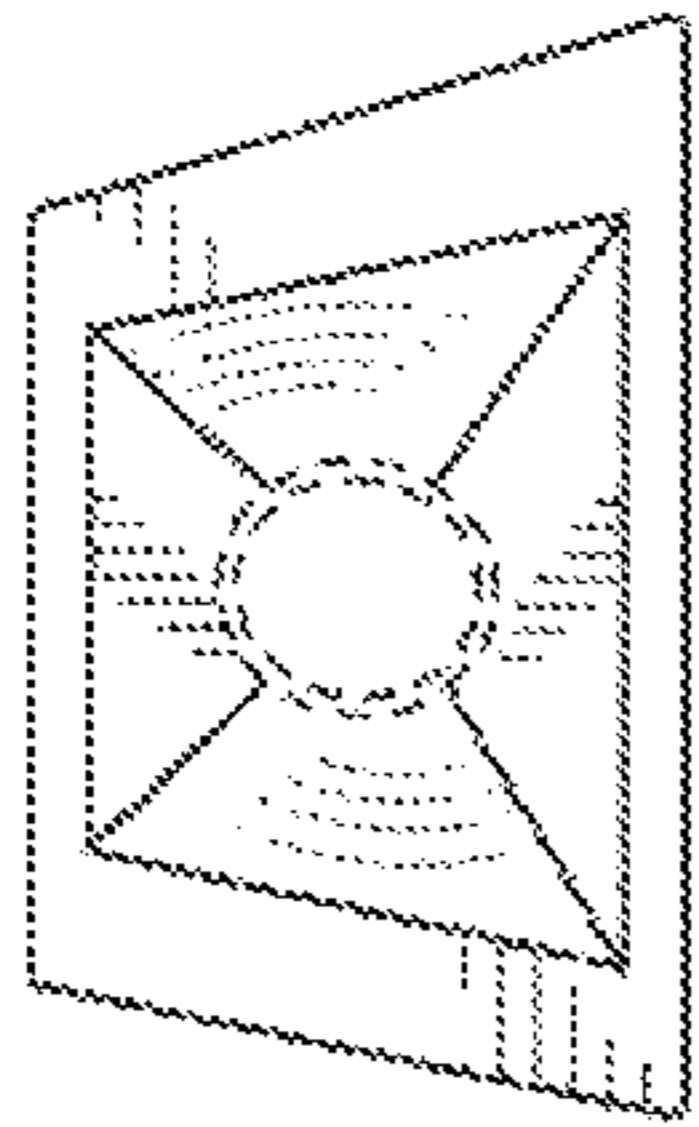


Fig. 7

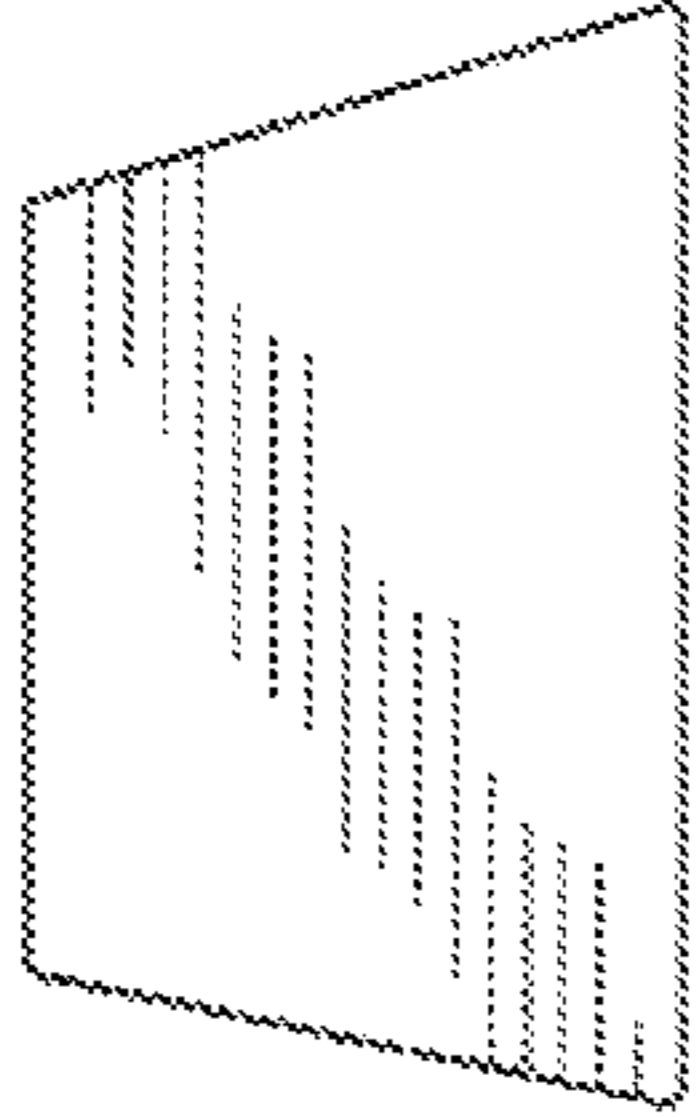


Fig. 8

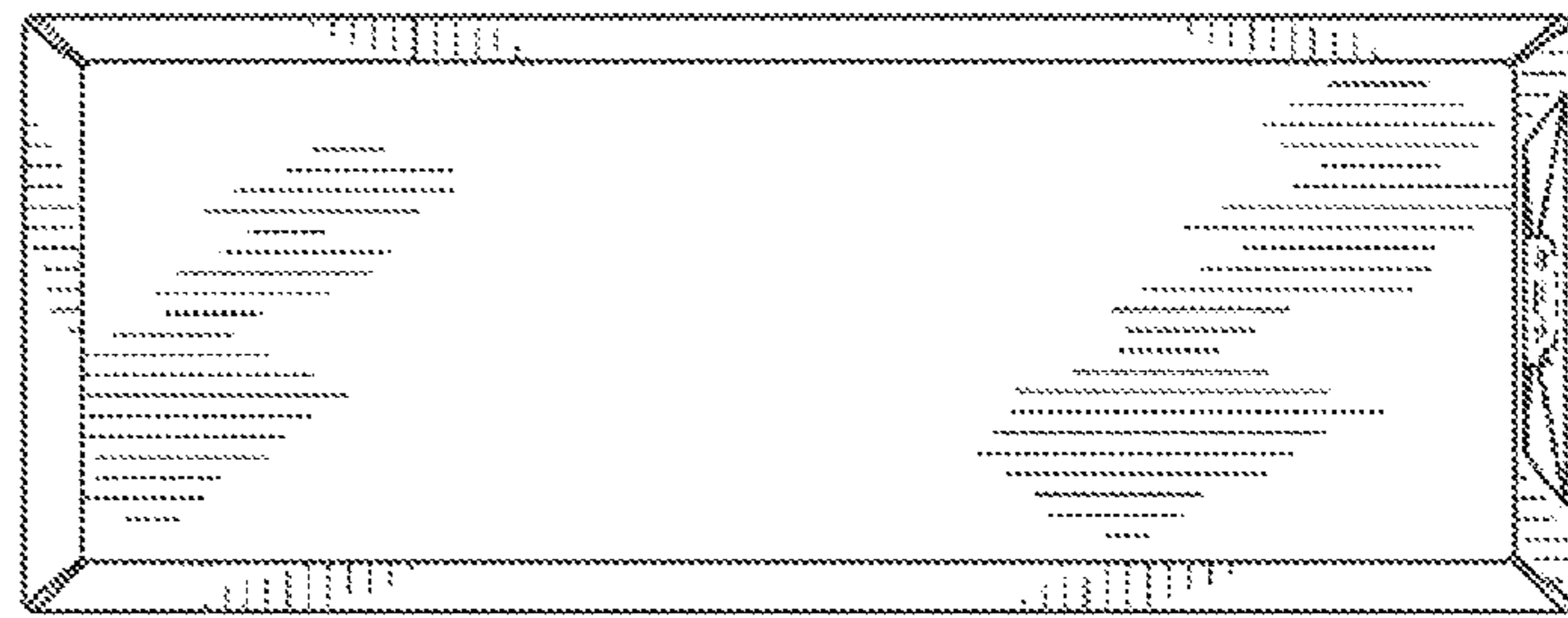


Fig. 9

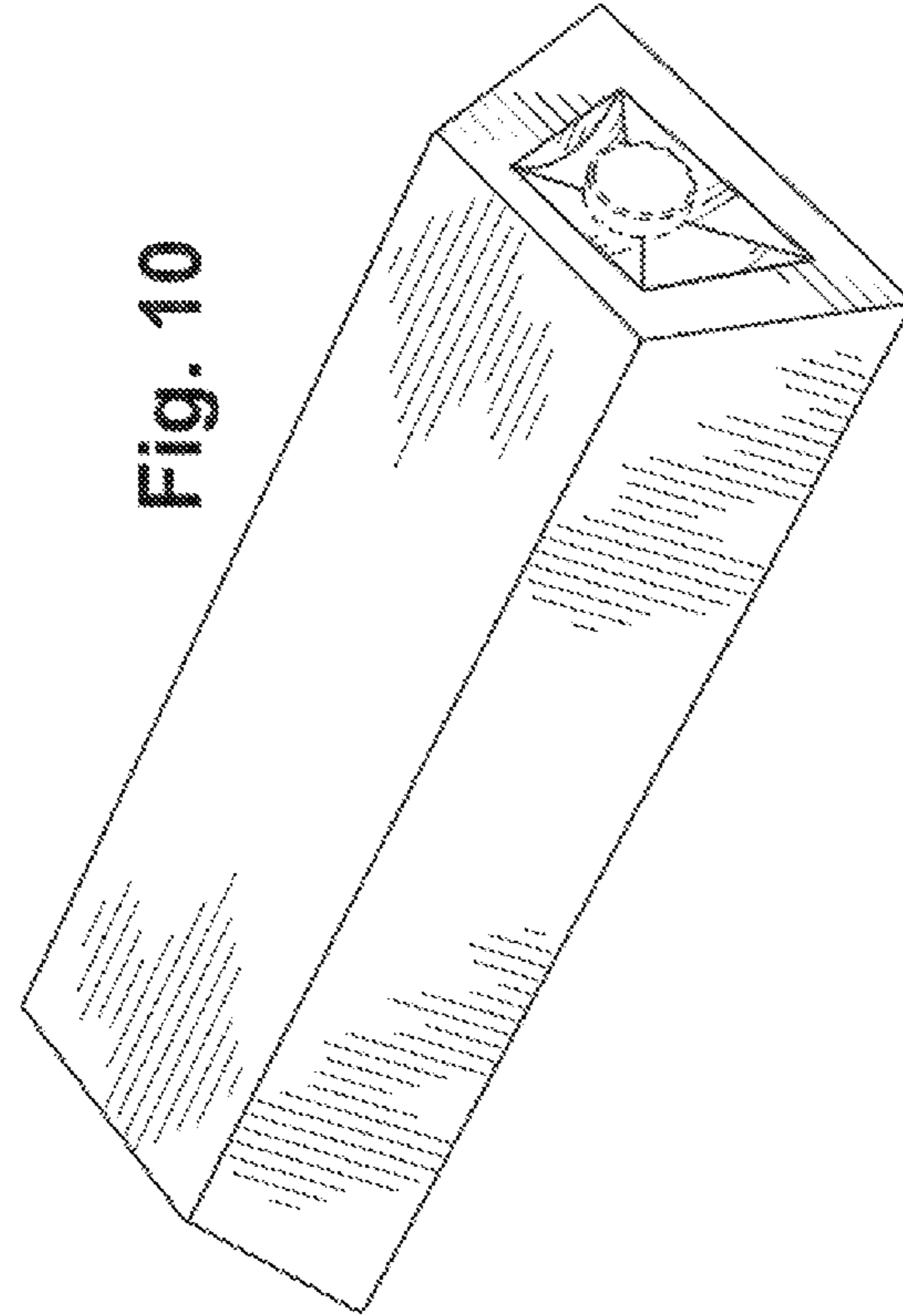


Fig. 10