



US00D643296S

(12) **United States Design Patent**  
**Newton**

(10) **Patent No.:** **US D643,296 S**

(45) **Date of Patent:** **\*\* Aug. 16, 2011**

(54) **BOTTLE WITH WICK**

(75) Inventor: **Paul Newton**, Hull (GB)

(73) Assignee: **Reckitt & Colman (Overseas) Limited**,  
Berkshire (GB)

(\*\*) Term: **14 Years**

(21) Appl. No.: **29/362,315**

(22) Filed: **May 24, 2010**

(30) **Foreign Application Priority Data**

Nov. 26, 2009 (EM) ..... 001640657-0002

(51) **LOC (9) Cl.** ..... **09-01**

(52) **U.S. Cl.** ..... **D9/522; D9/719**

(58) **Field of Classification Search** ..... D9/686-687,  
D9/693-694, 521-522, 529, 537-543, 549,  
D9/575, 719; 220/660, 662, 669, 675; D23/366,  
D23/368-369

See application file for complete search history.

(56) **References Cited**

**U.S. PATENT DOCUMENTS**

|              |        |                |       |          |
|--------------|--------|----------------|-------|----------|
| D359,453 S * | 6/1995 | Gavin          | ..... | D9/522   |
| D444,220 S * | 6/2001 | Basaganas      | ..... | D23/366  |
| D453,110 S * | 1/2002 | Bulsink        | ..... | D9/522   |
| D454,628 S * | 3/2002 | Basaganas      | ..... | D23/366  |
| D477,066 S * | 7/2003 | Lonczak et al. | ..... | D9/658   |
| D488,213 S * | 4/2004 | Millan         | ..... | D23/366  |
| D503,621 S * | 4/2005 | Heater         | ..... | D9/575 X |
| D505,330 S * | 5/2005 | Wolpert        | ..... | D9/522   |
| D518,730 S * | 4/2006 | Caserta et al. | ..... | D9/522   |
| D536,979 S * | 2/2007 | Caserta et al. | ..... | D9/522   |
| D536,980 S * | 2/2007 | Smith et al.   | ..... | D9/522   |

|              |         |                  |       |          |
|--------------|---------|------------------|-------|----------|
| D537,351 S * | 2/2007  | Caserta et al.   | ..... | D9/575 X |
| D537,354 S * | 2/2007  | Caserta et al.   | ..... | D9/543   |
| D579,777 S * | 11/2008 | Weggelaar        | ..... | D9/543 X |
| D590,270 S * | 4/2009  | Friedman et al.  | ..... | D9/658   |
| RE41,055 E * | 12/2009 | Choke-arpornchai | ..... | D9/516 X |
|              |         | et al.           | ..... | D9/516 X |
| D616,751 S * | 6/2010  | Ko et al.        | ..... | D9/522   |
| D618,550 S * | 6/2010  | De Haan          | ..... | D9/543 X |
| D619,464 S * | 7/2010  | Langley et al.   | ..... | D9/575 X |
| D621,712 S * | 8/2010  | Tomas Vilarrasa  | ..... | D9/543 X |
|              |         | et al.           | ..... | D9/543 X |

\* cited by examiner

*Primary Examiner* — Carol Rademaker

(74) *Attorney, Agent, or Firm* — Norris McLaughlin & Marcus, P.A.

(57) **CLAIM**

The ornamental design for a bottle with wick, as shown and described.

**DESCRIPTION**

FIG. 1 is a top, front, right side perspective view of the bottle with wick;

FIG. 2 is a front elevational view thereof;

FIG. 3 is a rear elevational view thereof;

FIG. 4 is a right side elevational view thereof;

FIG. 5 is a left side elevational view thereof;

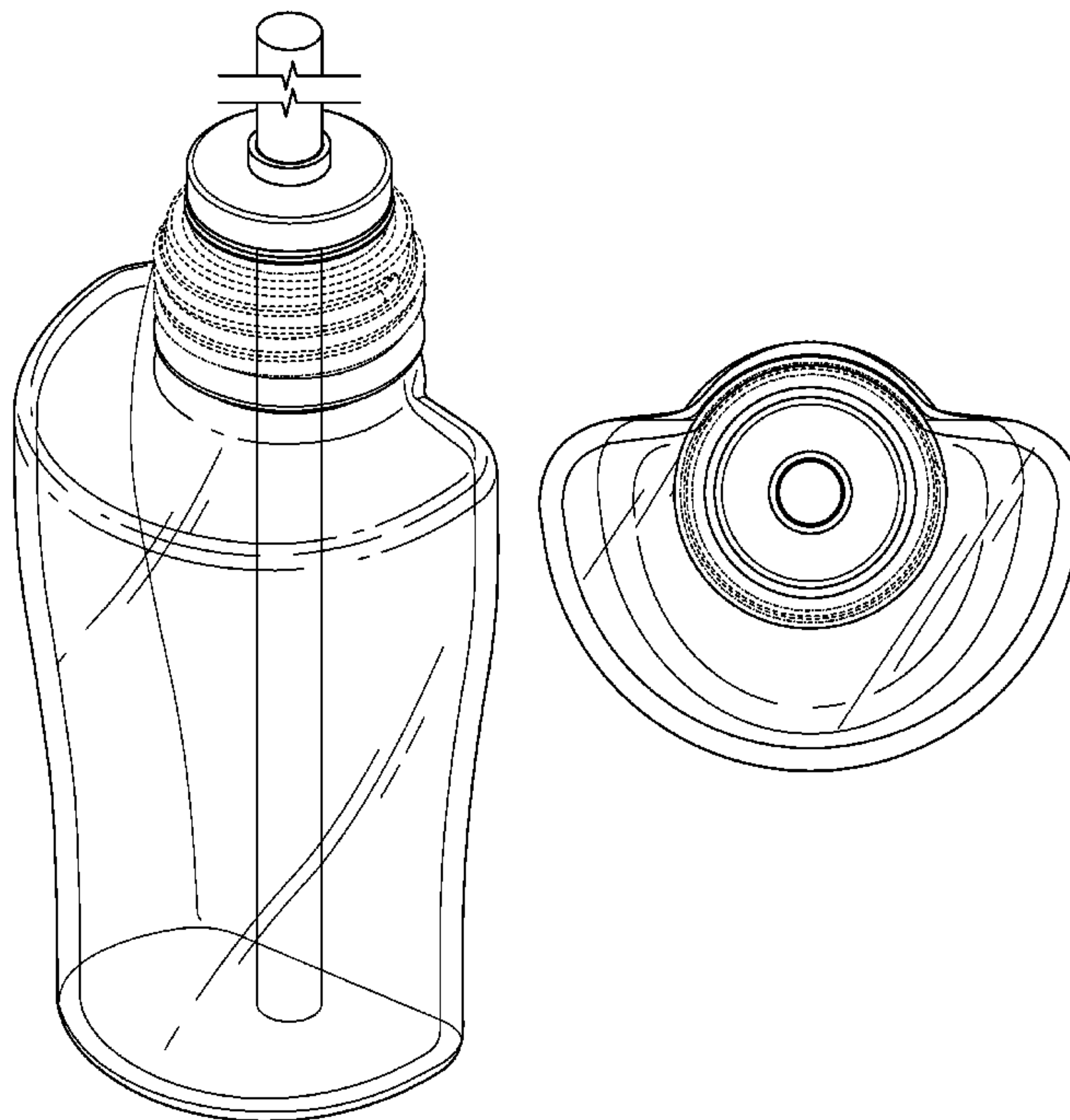
FIG. 6 is a top plan view thereof; and,

FIG. 7 is a bottom plan view thereof.

The dash-dash-dash-dash type broken lines shown in the drawings are for the purpose of illustrating environmental structure and form no part of the claimed design.

The dot-dash-dot-dash type broken lines shown in the drawings define the boundaries of the claimed design.

**1 Claim, 6 Drawing Sheets**



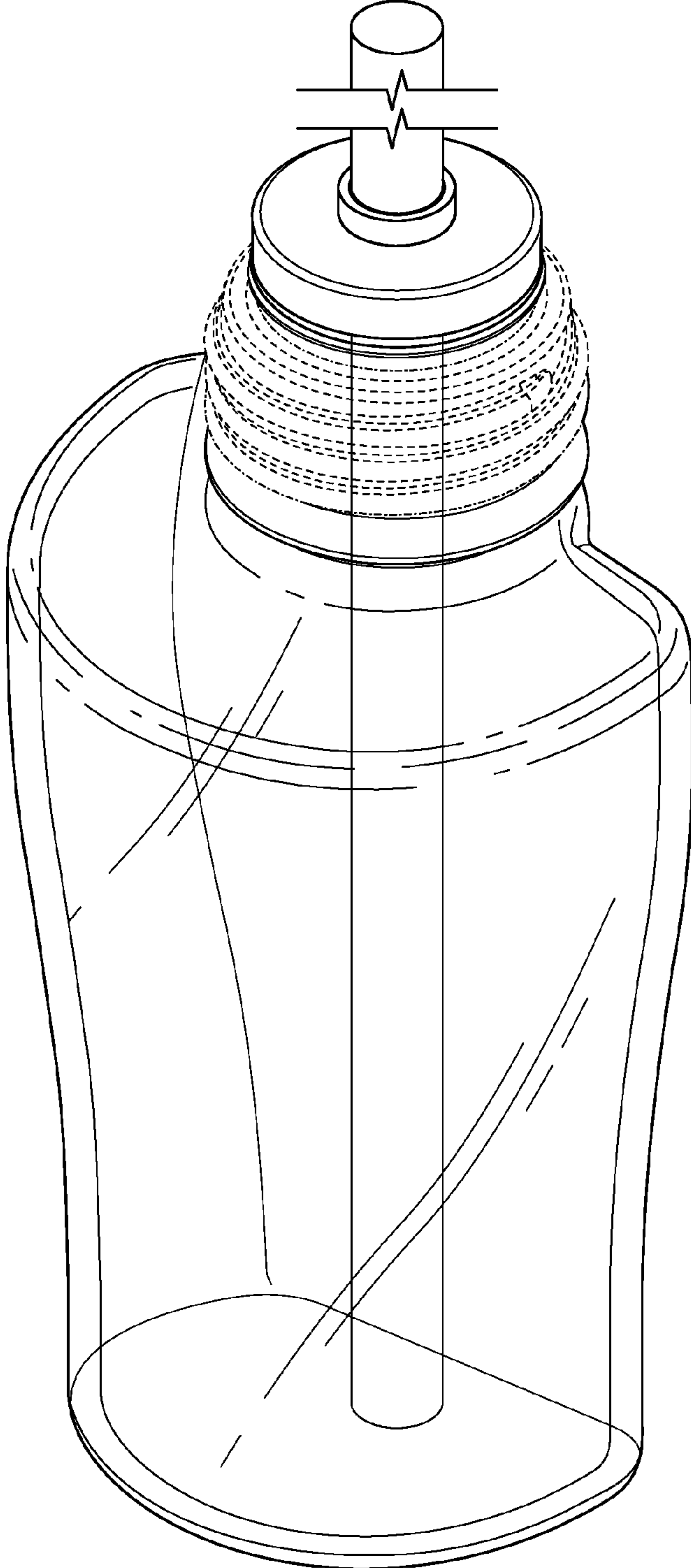


Fig.1

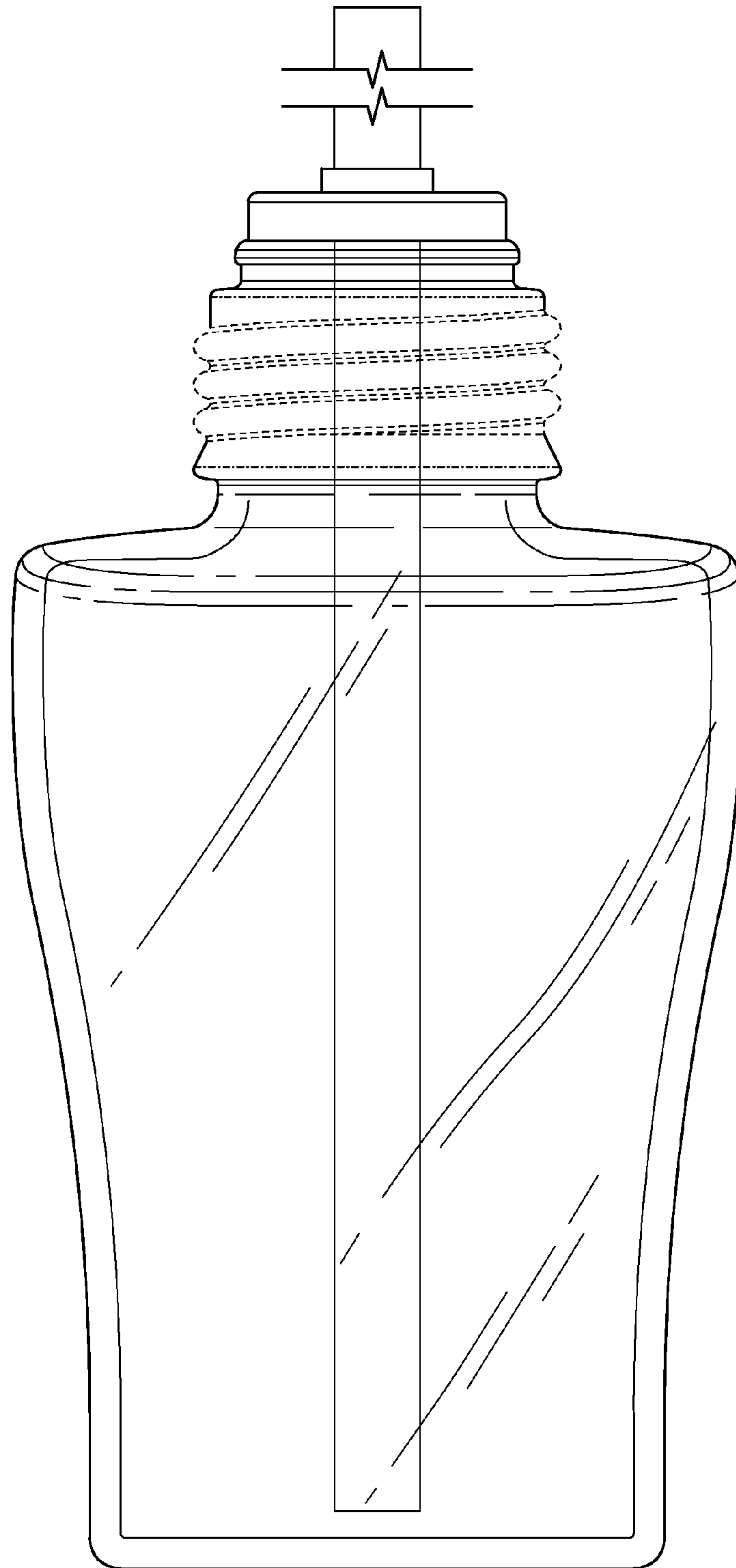


Fig.2

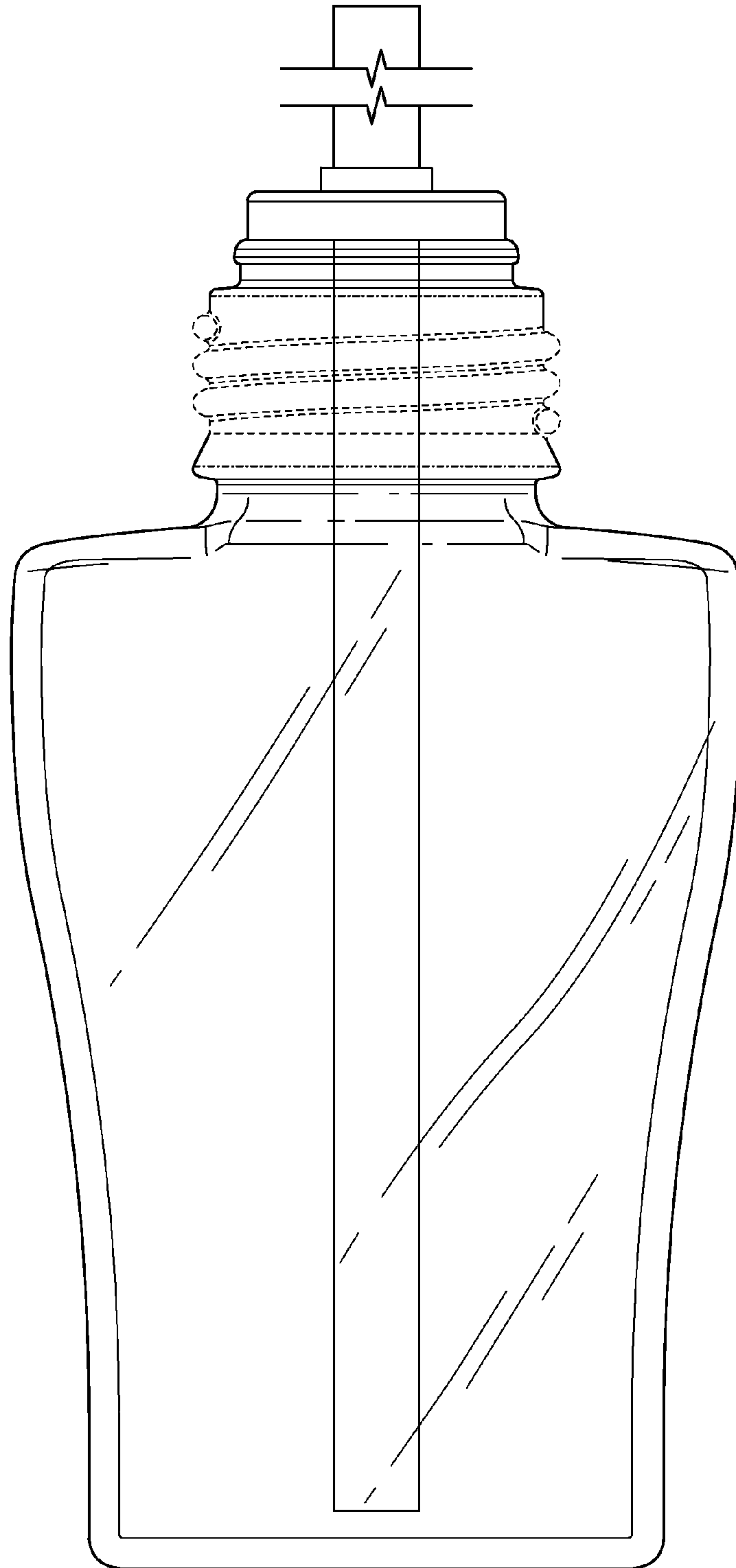


Fig.3

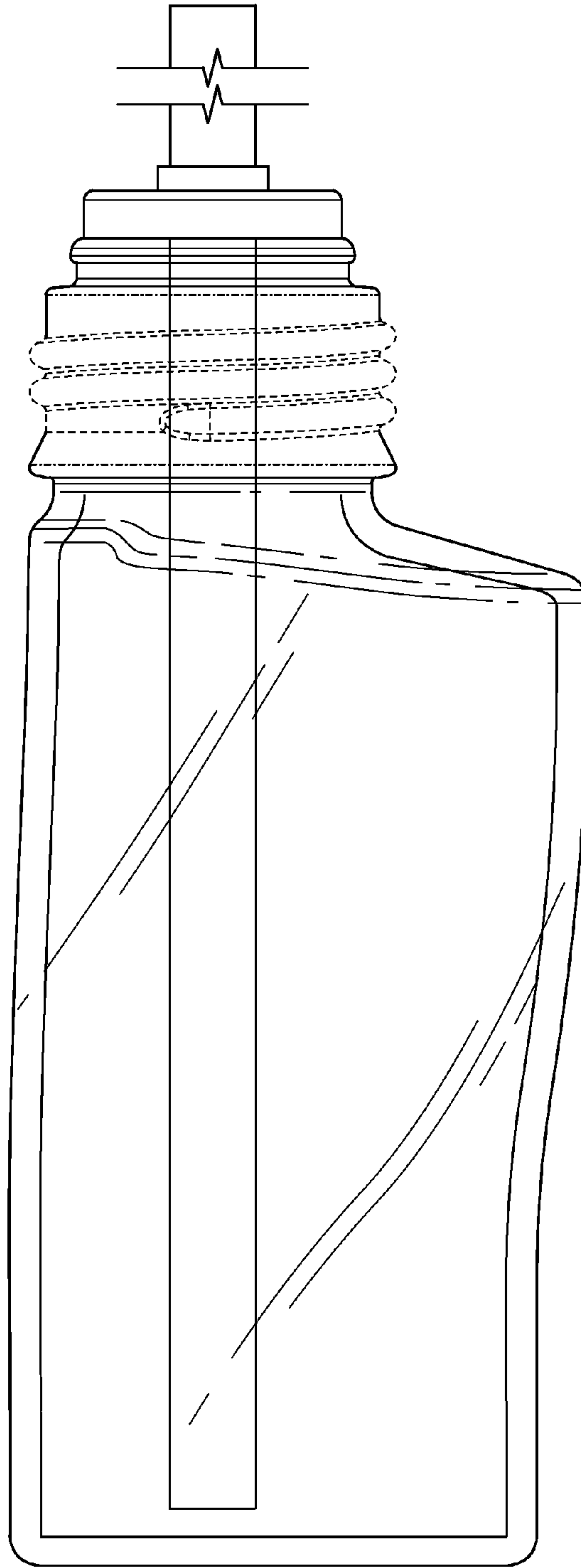


Fig.4

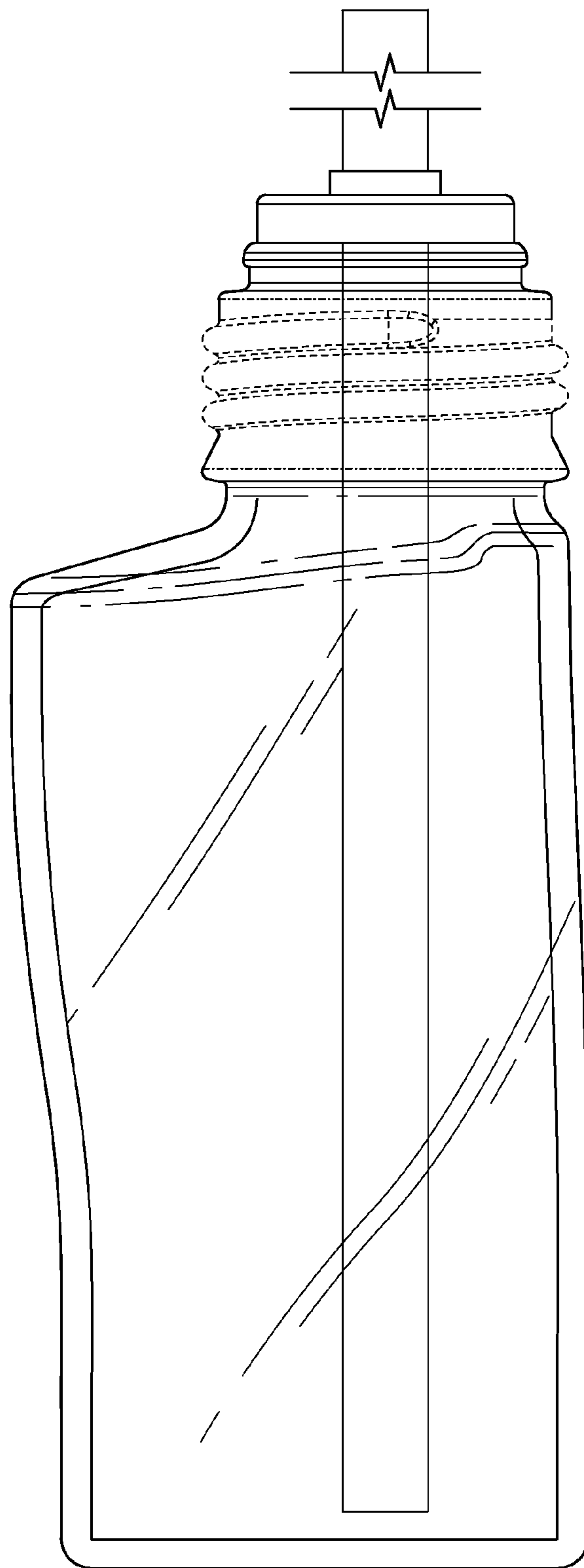


Fig.5



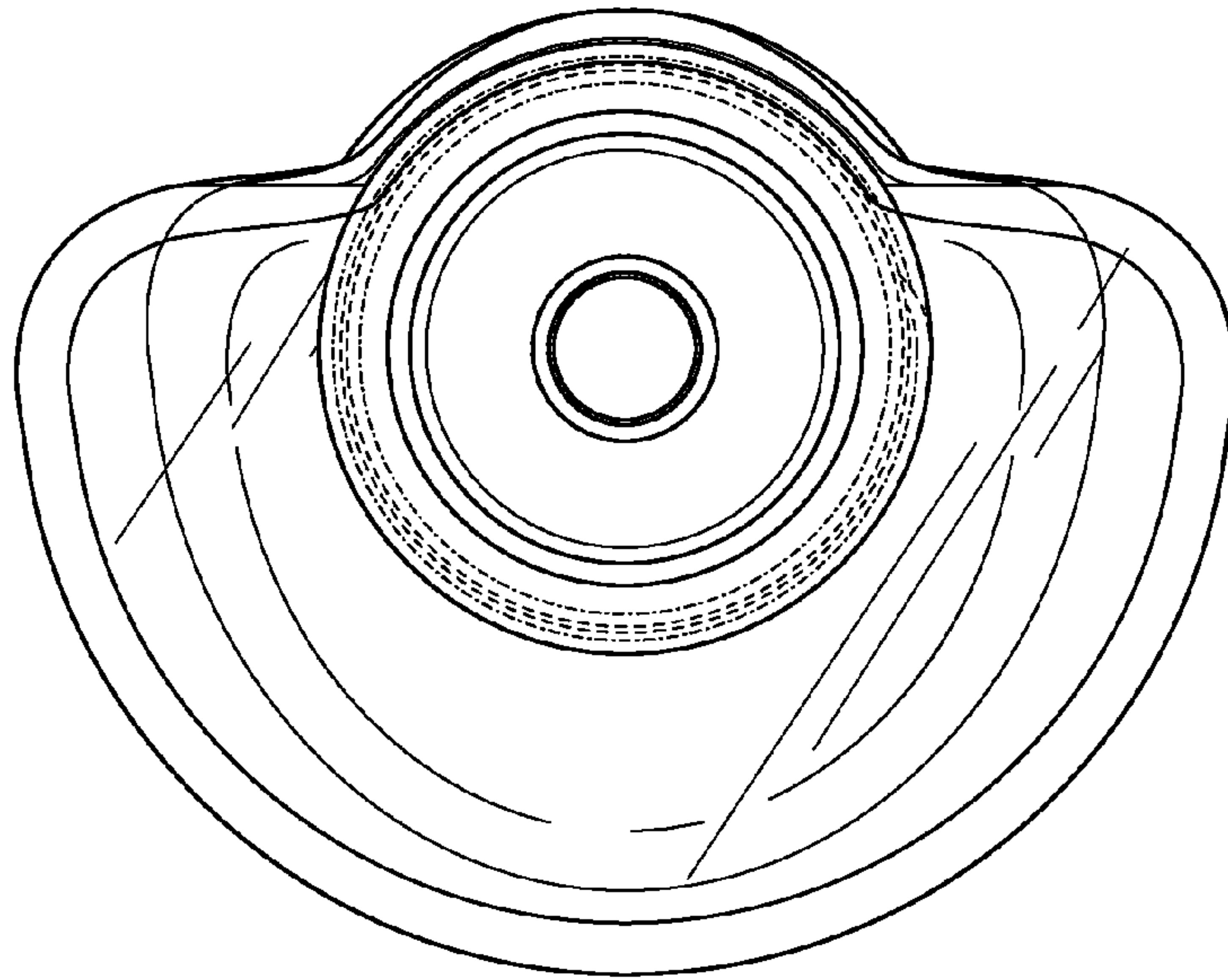


Fig.6

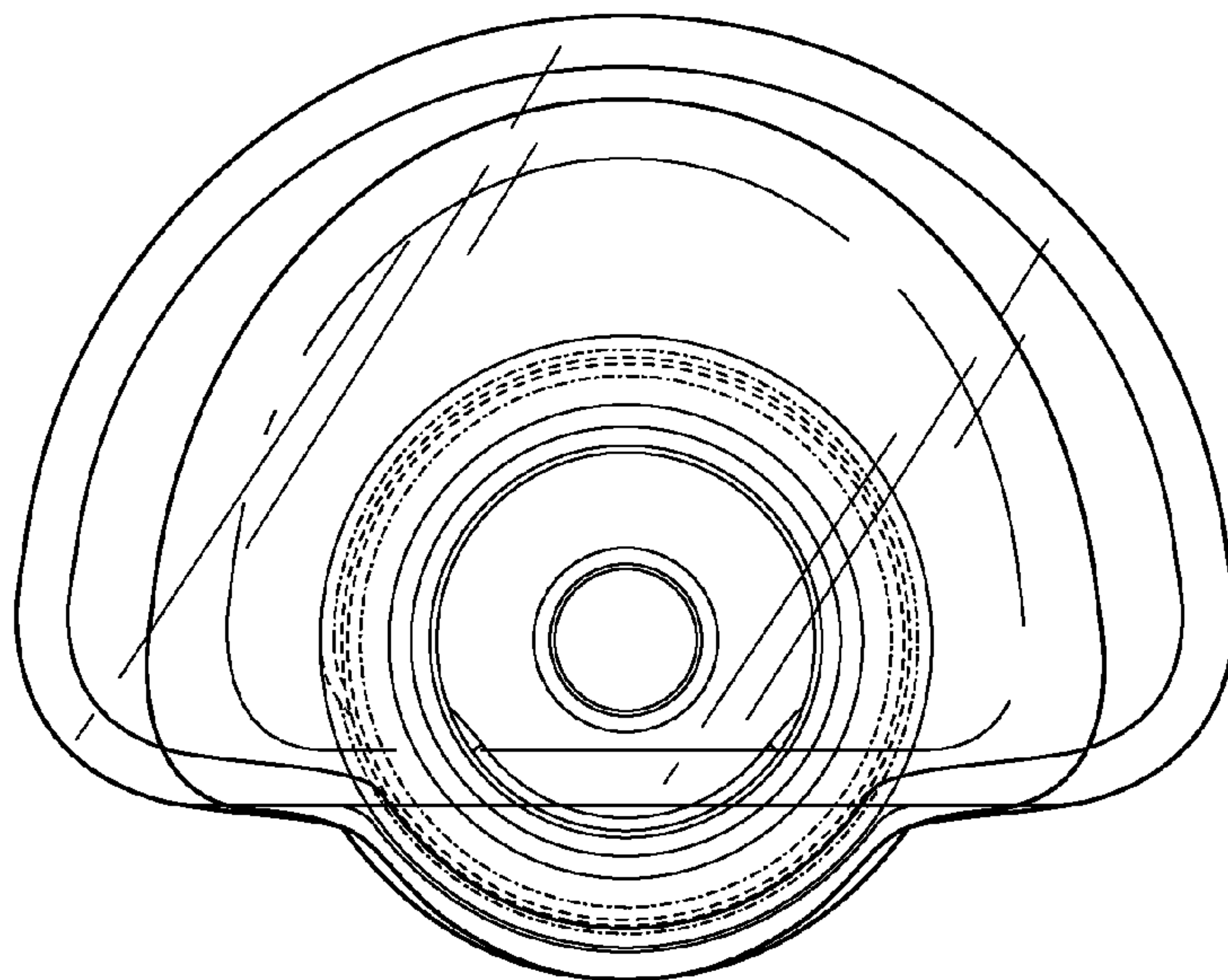


Fig.7