



US00D643290S

(12) **United States Design Patent**  
**Braun et al.**

(10) **Patent No.:** **US D643,290 S**

(45) **Date of Patent:** **\*\* Aug. 16, 2011**

(54) **CONTAINER**

(75) Inventors: **Jason A. Braun**, Lake Hiawatha, NJ (US); **Farhad Alibhai**, Toronto (CA); **Derek J. Romeo**, Ridgewood, NJ (US); **Mark J. Ramundo**, Waldwick, NJ (US)

(73) Assignee: **Kraft Foods Global Brands LLC**, Northfield, IL (US)

(\*\*) Term: **14 Years**

(21) Appl. No.: **29/385,714**

(22) Filed: **Feb. 18, 2011**

3,144,152 A	8/1964	Kopp
D200,013 S	1/1965	Lorenzen
D205,802 S	9/1966	Pettengill
D210,571 S	3/1968	Vanderhyde
D211,509 S	6/1968	Vanderhyde
D213,421 S	3/1969	Leary
D214,425 S	6/1969	Vanderhyde
D218,020 S	7/1970	Musson
D222,125 S *	10/1971	Roberts ..... D9/556
D225,510 S	12/1972	Strand
D236,433 S	8/1975	Strand
D237,586 S	11/1975	Plummer
D239,816 S	5/1976	Thomson et al.
D242,527 S	11/1976	Plummer
D242,691 S	12/1976	Koenigsberg

(Continued)

**Related U.S. Application Data**

(60) Division of application No. 29/357,740, filed on Mar. 16, 2010, now Pat. No. Des. 635,458, which is a continuation-in-part of application No. 29/339,545, filed on Jul. 1, 2009, now Pat. No. Des. 614,034.

(51) **LOC (9) Cl.** ..... **09-01**

(52) **U.S. Cl.** ..... **D9/500; D9/516; D9/537**

(58) **Field of Classification Search** ..... D9/500, D9/502, 516, 520, 530, 537-540, 545, 546, D9/549, 551, 556, 558, 564, 574, 575; 215/379, 215/381-385; 220/600, 608, 660, 669, 675  
See application file for complete search history.

**References Cited**

**U.S. PATENT DOCUMENTS**

D21,711 S	7/1892	Mott
D32,283 S	2/1900	Farnan
D63,326 S	11/1923	Root
D65,143 S	7/1924	Sanford
D77,618 S	1/1929	Mas
D177,263 S	3/1956	Kilmon
D188,817 S	9/1960	Whither et al.
D193,031 S	6/1962	Hills
D196,389 S	9/1963	Mason et al.

**FOREIGN PATENT DOCUMENTS**

JP 2000043874 2/2000

(Continued)

*Primary Examiner* — Stella Reid

*Assistant Examiner* — Elizabeth J Oswecki

(74) *Attorney, Agent, or Firm* — Fitch, Even, Tabin & Flannery

(57) **CLAIM**

The ornamental design for a container, as shown and described.

**DESCRIPTION**

FIG. 1 is a perspective view of a container showing our new design;

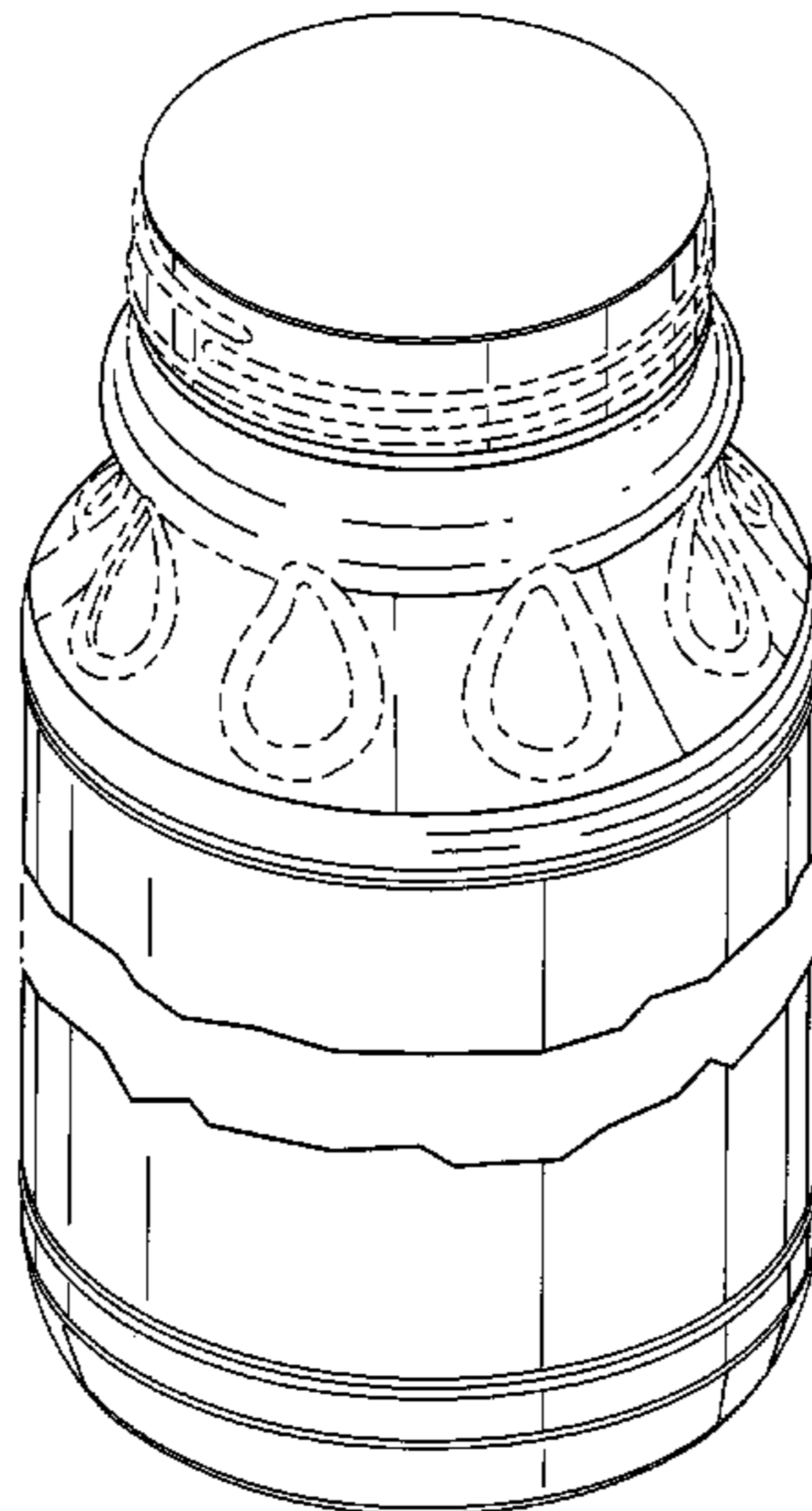
FIG. 2 is a front elevation view thereof, the rear, left side, and right side being an identical image;

FIG. 3 is a bottom plan view thereof; and,

FIG. 4 is a top plan view thereof.

Portions of the container shown in broken lines in the figures are for illustrative purposes only and form no part of the claimed design.

**1 Claim, 3 Drawing Sheets**



# US D643,290 S

Page 2

U.S. PATENT DOCUMENTS								
4,108,324	A *	8/1978	Krishnakumar et al. ....	215/373	D480,310	S	10/2003	Yourist
D284,550	S	7/1986	Parrack		6,659,300	B2	12/2003	Wurster et al.
4,610,366	A	9/1986	Estes et al.		6,662,960	B2	12/2003	Hong et al.
D295,372	S	4/1988	Klette et al.		6,662,961	B2	12/2003	Yourist
D295,377	S	4/1988	Rogler et al.		6,666,001	B2	12/2003	Mero
D295,378	S	4/1988	Rogler		D485,496	S	1/2004	Steele, IV et al.
D295,379	S	4/1988	Rogler et al.		D485,497	S	1/2004	Steele, IV et al.
D309,711	S *	8/1990	Biesecker .....	D9/500	D486,069	S	2/2004	Steele, IV et al.
D315,678	S	3/1991	Darr		D487,228	S	3/2004	Heisner et al.
D316,968	S	5/1991	York		D488,719	S	4/2004	Evans et al.
D320,154	S	9/1991	Alberghini et al.		D489,625	S	5/2004	Steele, IV et al.
5,067,622	A	11/1991	Garver et al.		D491,812	S	6/2004	Eberle et al.
D322,562	S	12/1991	Narsutis		D495,602	S	9/2004	Daly et al.
5,156,285	A	10/1992	Zogg et al.		D496,264	S	9/2004	Eaton et al.
5,158,190	A	10/1992	Sosenko		6,814,248	B2	11/2004	Beck et al.
D331,880	S	12/1992	Wegner, IV et al.		6,830,158	B2	12/2004	Yourist
D332,751	S	1/1993	Pischulti et al.		D501,400	S	2/2005	Bretz et al.
5,224,614	A	7/1993	Bono et al.		D503,343	S	3/2005	Canino
D338,832	S *	8/1993	Osip et al. ....	D9/502	D503,344	S	3/2005	Woolley et al.
5,232,108	A	8/1993	Nakamura		D503,885	S	4/2005	Bretz et al.
5,234,126	A *	8/1993	Jonas et al. ....	220/609	D504,069	S	4/2005	Gross et al.
5,261,543	A	11/1993	Ugarelli		D504,618	S	5/2005	Bretz et al.
D345,503	S	3/1994	Murphy		D505,077	S	5/2005	Piccioli et al.
D346,556	S	5/1994	Sirico et al.		D505,333	S	5/2005	Bretz et al.
5,310,068	A	5/1994	Saghri		D505,334	S	5/2005	Bretz et al.
D347,793	S	6/1994	Wegner, IV et al.		D505,621	S	5/2005	Bretz et al.
D374,826	S	10/1996	Mackinson et al.		D506,677	S	6/2005	Bretz et al.
D376,760	S	12/1996	Sykes		D507,492	S	7/2005	Bretz et al.
5,593,056	A	1/1997	Mero et al.		D507,609	S	7/2005	Bretz et al.
D379,930	S	6/1997	Gobe		D507,610	S	7/2005	Bretz et al.
D380,671	S	7/1997	Young		6,923,334	B2	8/2005	Melrose et al.
D380,685	S	7/1997	Steih		D509,734	S	9/2005	Bretz et al.
D381,271	S *	7/1997	Paoloski .....	D9/530	D510,026	S	9/2005	Nelson et al.
D387,284	S	12/1997	Briggs et al.		D510,273	S	10/2005	Bretz et al.
D390,471	S	2/1998	Ito		D510,526	S	10/2005	Bretz et al.
5,732,838	A	3/1998	Young		D510,706	S	10/2005	Bretz et al.
5,758,790	A	6/1998	Ewing, Jr.		D510,862	S	10/2005	Bretz et al.
5,785,197	A	7/1998	Slat		D511,103	S	11/2005	Bretz et al.
5,803,290	A	9/1998	Bongiorno		D512,308	S	12/2005	Bretz et al.
D401,856	S	12/1998	Daniels et al.		D513,994	S	1/2006	Bretz et al.
D409,091	S	5/1999	Beaver et al.		D514,938	S	2/2006	Zhang
5,931,323	A	8/1999	Wilkinson et al.		D515,427	S	2/2006	Schuller et al.
D414,417	S	9/1999	Alt		D518,711	S	4/2006	Bretz et al.
D414,699	S	10/1999	Alt		7,025,219	B2	4/2006	Heisner et al.
D415,028	S	10/1999	Kuzma et al.		D525,530	S *	7/2006	Livingston et al. .... D9/538
5,988,417	A	11/1999	Cheng et al.		7,118,002	B2	10/2006	Saito et al.
6,016,932	A	1/2000	Gaydosh et al.		D533,065	S	12/2006	Brauner et al.
D427,067	S *	6/2000	Miller et al. ....	D9/434	7,159,729	B2	1/2007	Sabold et al.
D431,465	S	10/2000	Cheng et al.		D538,662	S	3/2007	Goetz et al.
6,164,474	A	12/2000	Cheng et al.		7,198,165	B2	4/2007	Zhang
D439,166	S	3/2001	Denner et al.		7,213,719	B2	5/2007	Pedmo et al.
D439,167	S	3/2001	Lichtman et al.		D544,349	S	6/2007	Hyde et al.
D440,157	S	4/2001	Lichtman et al.		D548,082	S	8/2007	Kingsley
D440,158	S	4/2001	Bretz et al.		D551,083	S	9/2007	Schwarz
6,213,326	B1	4/2001	Denner et al.		7,287,658	B1	10/2007	Johnson et al.
D441,294	S	5/2001	Lichtman et al.		D555,492	S	11/2007	Lockman et al.
D445,689	S	7/2001	McCutchan		D555,493	S	11/2007	Lockman et al.
D447,411	S	9/2001	Lichtman et al.		D555,497	S	11/2007	Lavelli
D447,690	S	9/2001	Lichtman et al.		D559,695	S	1/2008	Lesueur
D448,292	S	9/2001	Lichtman et al.		D567,659	S	4/2008	Gran et al.
D448,293	S	9/2001	Bretz et al.		D568,753	S	5/2008	Woolf
D448,664	S	10/2001	Lichtman et al.		D571,661	S *	6/2008	Ulibarri .....
D449,539	S	10/2001	Lakatosh et al.		D572,137	S	7/2008	Dimmel et al. .... D9/500
D450,246	S	11/2001	Heisel et al.		D578,896	S	10/2008	Herman
D450,248	S	11/2001	Ogg		D579,339	S	10/2008	Shmagin
D450,588	S *	11/2001	Lane et al. ....	D9/500	D584,633	S	1/2009	Trollope et al.
D451,026	S	11/2001	Heisel et al.		D585,281	S	1/2009	Trollope et al.
D454,790	S *	3/2002	Crawford .....	D9/553	D586,224	S	2/2009	Darr et al.
6,354,458	B1	3/2002	Policappelli		D591,155	S	4/2009	Trollope et al.
D461,418	S	8/2002	Lichtman et al.		D591,161	S	4/2009	Trollope et al.
D462,013	S	8/2002	Iizuka et al.		D595,143	S	6/2009	Hazelton et al.
6,472,007	B2	10/2002	Bezek et al.		D598,770	S	8/2009	Delfino
D467,813	S	12/2002	Silvers et al.		D611,344	S *	3/2010	Longacre .....
6,520,362	B2	2/2003	Heisel et al.		D614,034	S	4/2010	Braun et al.
D476,234	S	6/2003	Steele, IV et al.		D617,195	S *	6/2010	Williams .....
D476,575	S	7/2003	Steele, IV et al.		D619,457	S *	7/2010	Walsh .....
D477,226	S	7/2003	Chirico et al.		D619,458	S *	7/2010	Walsh .....
6,595,480	B1 *	7/2003	Orlick .....	248/346.01	D619,459	S *	7/2010	Walsh .....
					7,780,025	B2 *	8/2010	Simpson et al. .... 215/376

# US D643,290 S

Page 3

---

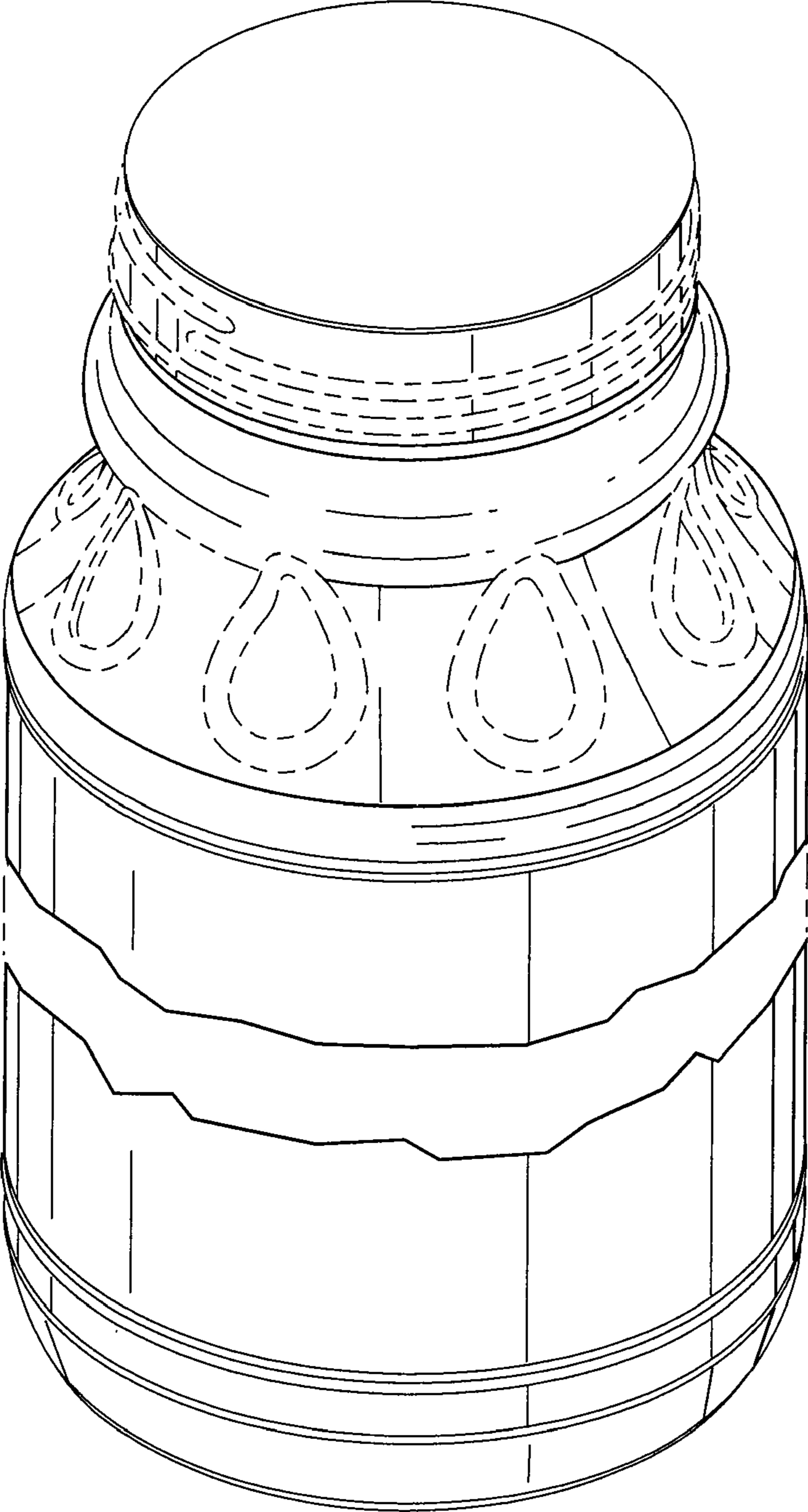
D623,070 S *	9/2010	Jamison et al. ....	D9/658	2007/0199917 A1	8/2007	Beaver et al.
D633,794 S *	3/2011	Cresswell et al. ....	D9/500	2007/0210028 A1	9/2007	Heisner et al.
2001/0037992 A1	11/2001	Tanabe et al.		2007/0257003 A1	11/2007	Colloud
2002/0070193 A1	6/2002	Mero		2008/0169266 A1	7/2008	Kamineni
2002/0153343 A1*	10/2002	Tobias et al. ....	215/375	2008/0251492 A1	10/2008	Shi
2003/0209553 A1	11/2003	Horn et al.		2008/0308522 A1	12/2008	Yeager
2005/0139572 A1	6/2005	Pedmo et al.		2009/0065468 A1	3/2009	Hata et al.
2005/0184027 A1	8/2005	Floyd et al.		2009/0166240 A1	7/2009	Scarola et al.
2005/0189314 A1	9/2005	Carbone				
2005/0211660 A1	9/2005	Galownia et al.				
2005/0211661 A1	9/2005	Galownia et al.				
2006/0065566 A1	3/2006	Steih				
2007/0012650 A1	1/2007	Eble				
2007/0062907 A1	3/2007	Heisner				
2007/0090122 A1	4/2007	Zey pang				

## FOREIGN PATENT DOCUMENTS

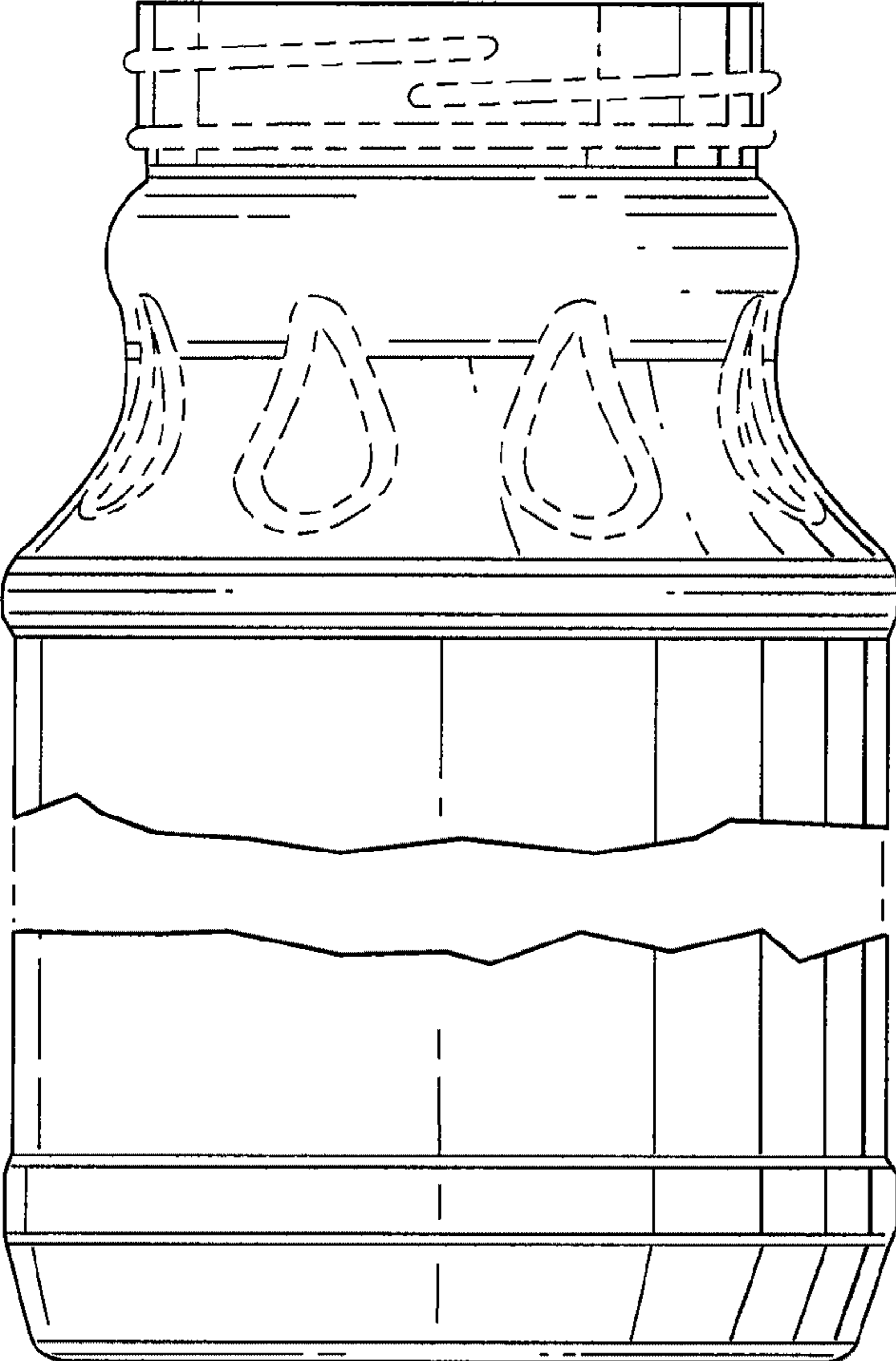
JP	2006315693	11/2006
JP	2008007166	1/2008

\* cited by examiner

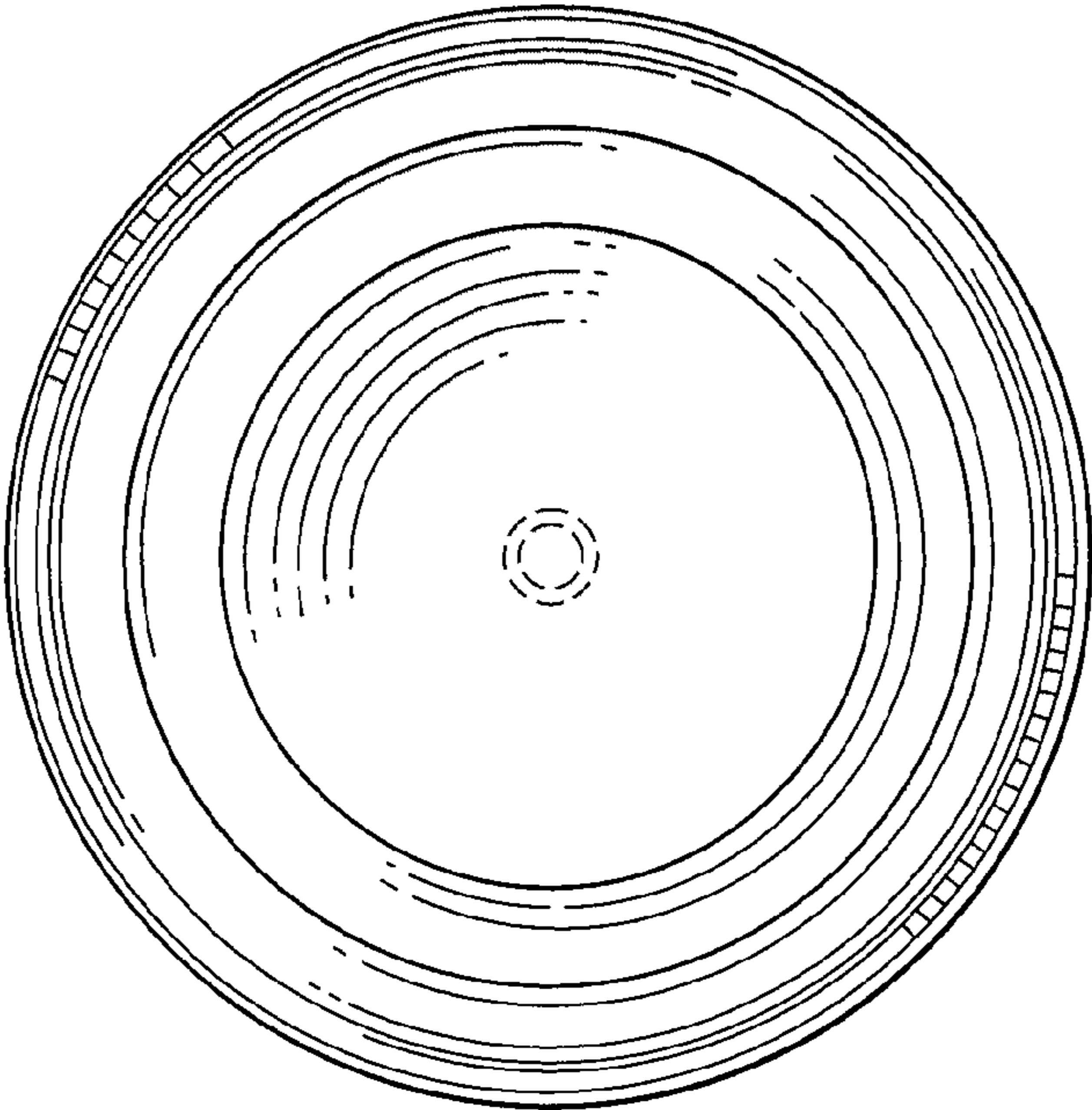
FIG. 1



**FIG. 2**



**FIG. 3**



**FIG. 4**

