



US00D643289S

(12) **United States Design Patent**
Harlan

(10) **Patent No.:** **US D643,289 S**

(45) **Date of Patent:** **** Aug. 16, 2011**

(54) **BOTTLE GRIP**

(76) Inventor: **Jeff Harlan**, Corona, CA (US)

(**) Term: **14 Years**

(21) Appl. No.: **29/357,414**

(22) Filed: **Mar. 11, 2010**

(51) **LOC (9) Cl.** **09-07**

(52) **U.S. Cl.** **D9/455; D9/443; D7/622**

(58) **Field of Classification Search** D9/456,
D9/455, 443, 435, 434; D8/349, 403, 356;
D7/622; D3/202; D25/122, 119, 103; D19/89,
D19/65; 452/187; 294/152, 149; 24/462,
24/30.5 R, 17 R; 224/240, 220, 148.7, 148.6;
220/742; 141/392

See application file for complete search history.

(56) **References Cited**

U.S. PATENT DOCUMENTS

D149,933 S *	6/1948	Bushman	D7/622
3,029,975 A *	4/1962	Aiello	220/742
D209,533 S *	12/1967	Cole	D7/622
D211,818 S *	7/1968	Massey	D7/622
D359,657 S *	6/1995	Davidson et al.	D7/622
D494,471 S *	8/2004	Chou	D9/455

D505,328 S *	5/2005	Chou	D9/455
D512,275 S *	12/2005	Kent-Fawkes	D7/622
7,207,538 B2 *	4/2007	Kent-Fawkes	248/311.2
D557,567 S *	12/2007	Gronikowski et al.	D7/622
D593,859 S *	6/2009	Barnum	D9/455
D607,327 S *	1/2010	Harlan	D9/455

* cited by examiner

Primary Examiner — Susan Bennett Hattan

(74) *Attorney, Agent, or Firm* — Brent A. Capehart

(57) **CLAIM**

The ornamental design for a bottle grip, as shown and described.

DESCRIPTION

FIG. 1 is a perspective view of a bottle grip showing my new design;

FIG. 2 is a side view thereof;

FIG. 3 is a rear view thereof;

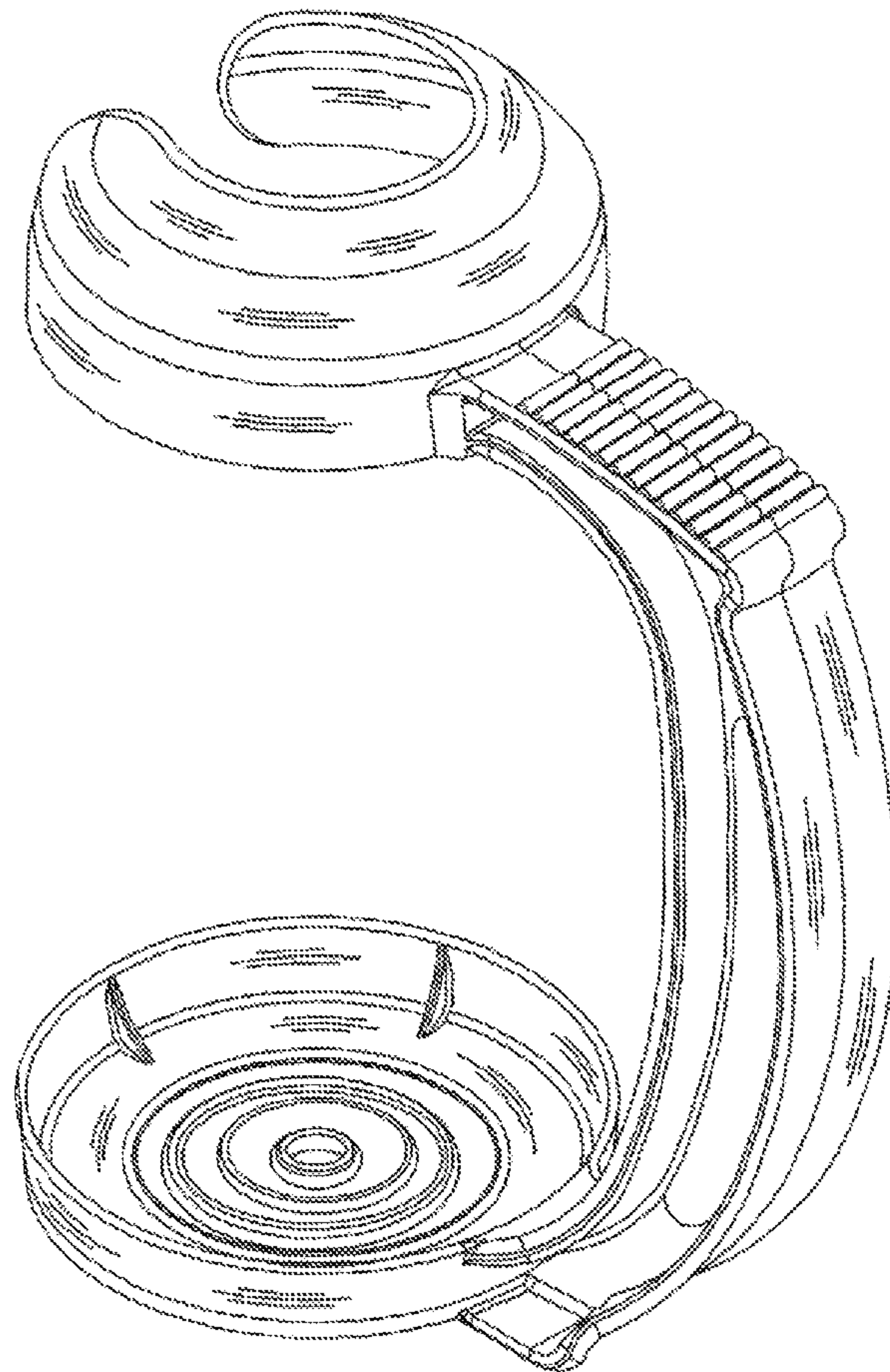
FIG. 4 is an opposing side view thereof;

FIG. 5 is a top view thereof;

FIG. 6 is a front view thereof; and,

FIG. 7 is a bottom view thereof.

1 Claim, 7 Drawing Sheets



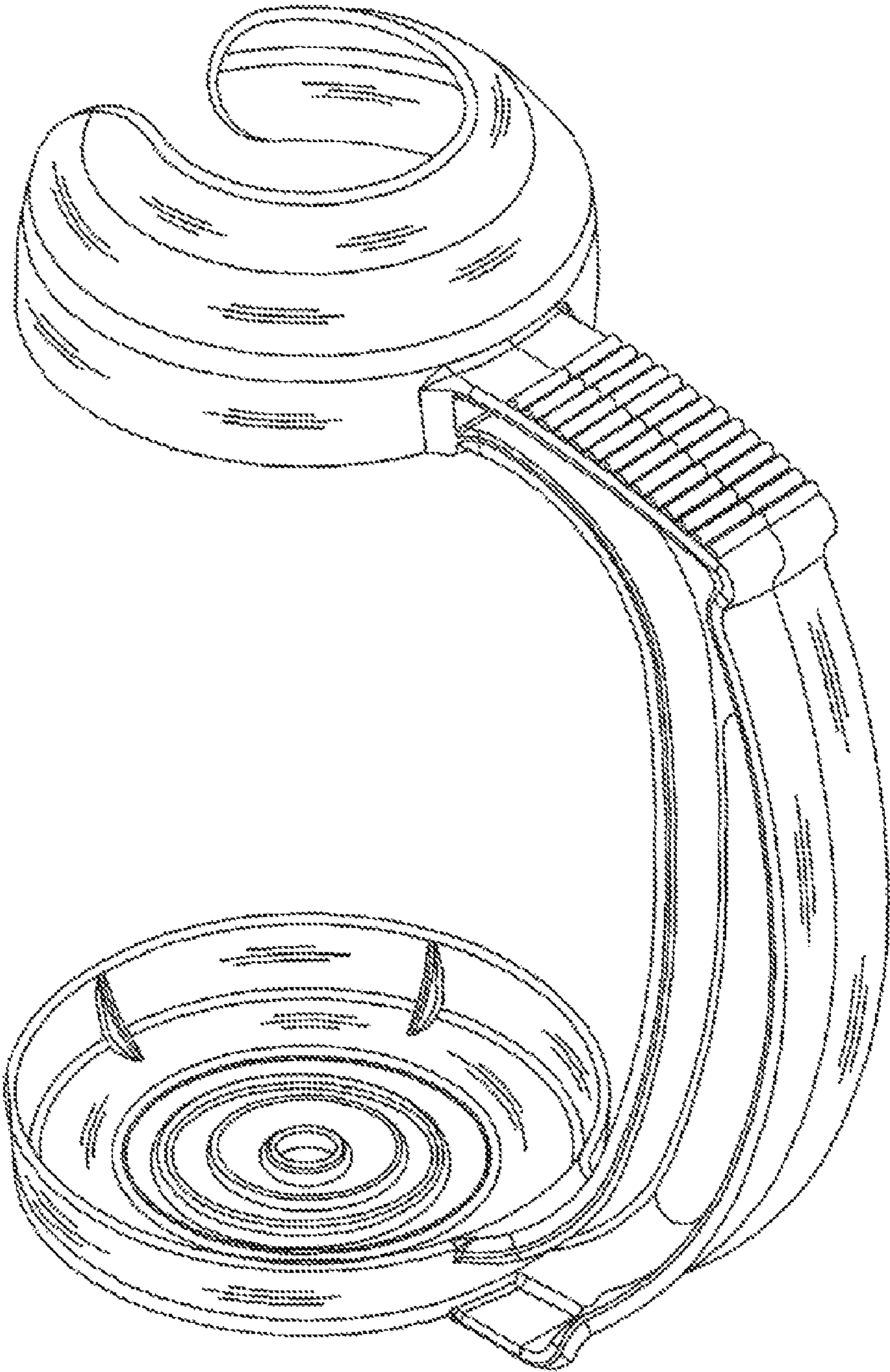


Figure 1

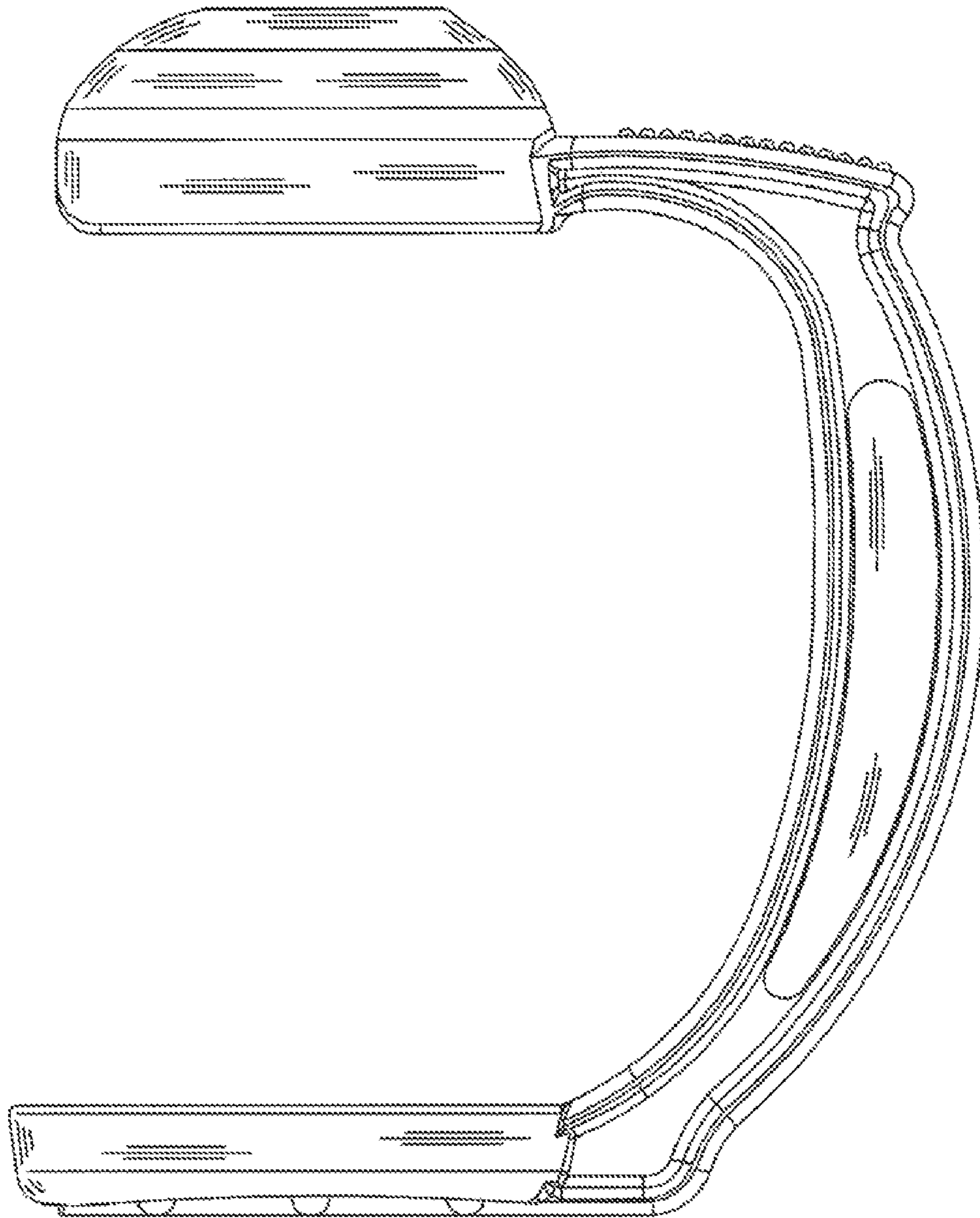


Figure 2

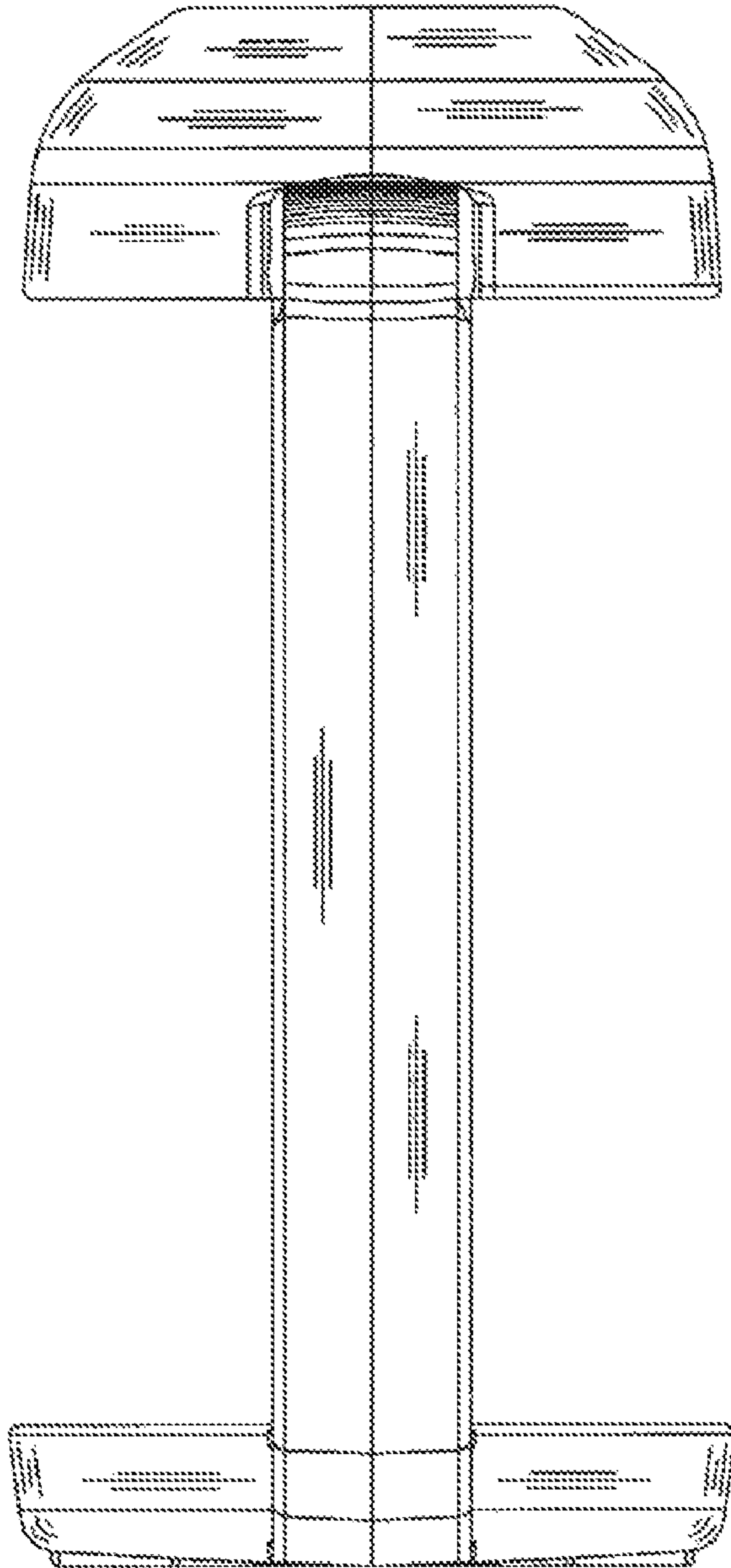


Figure 3

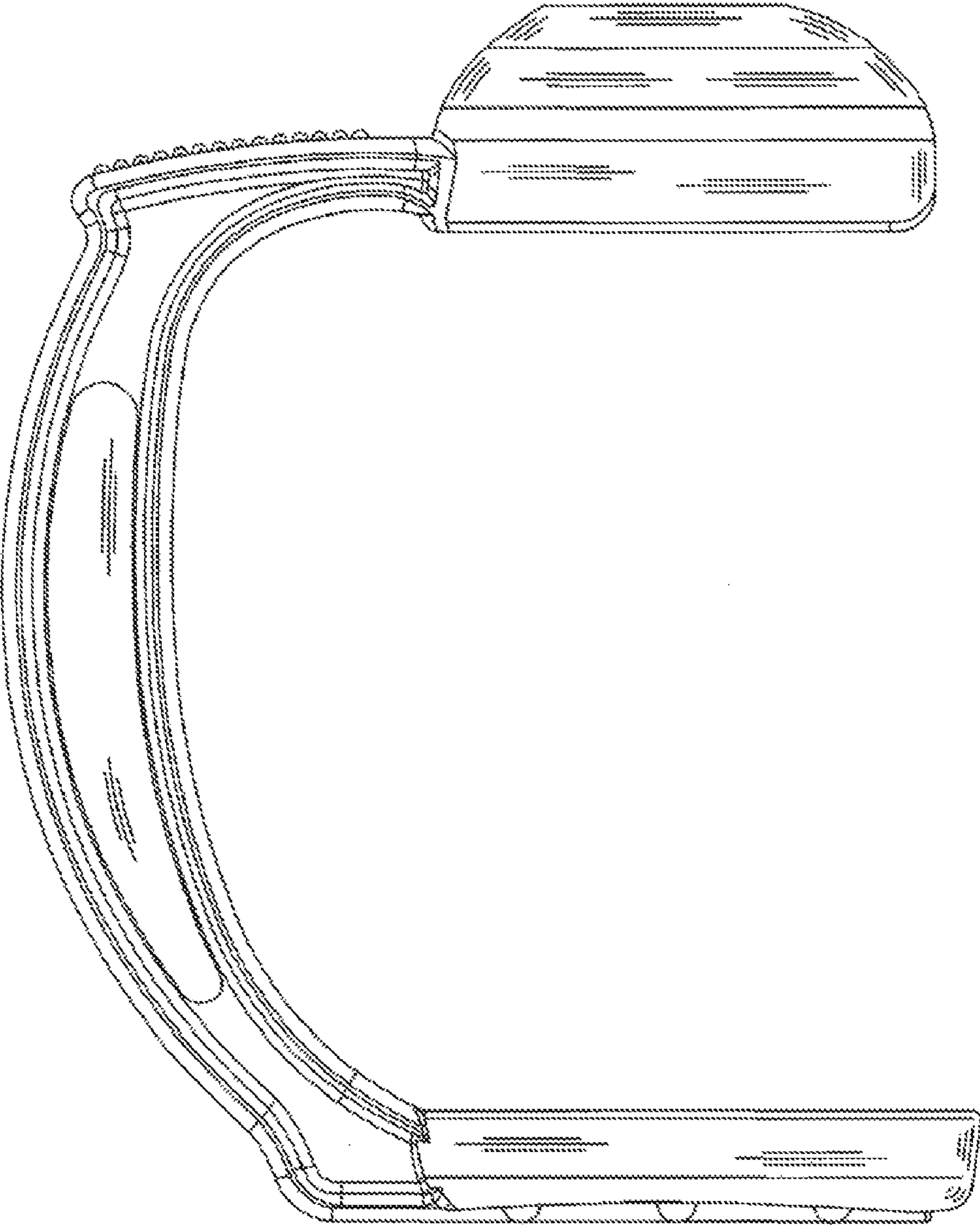


Figure 4

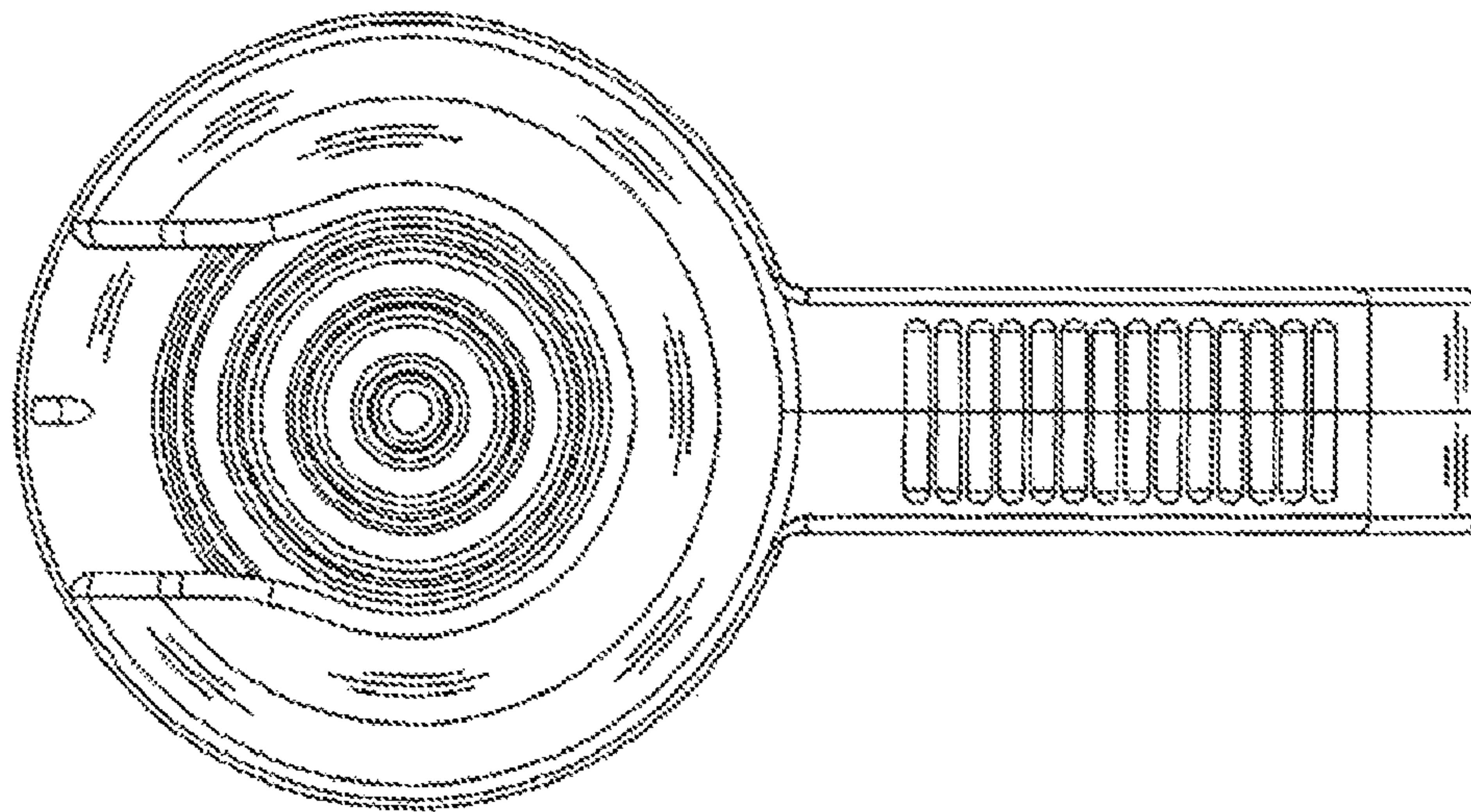


Figure 5

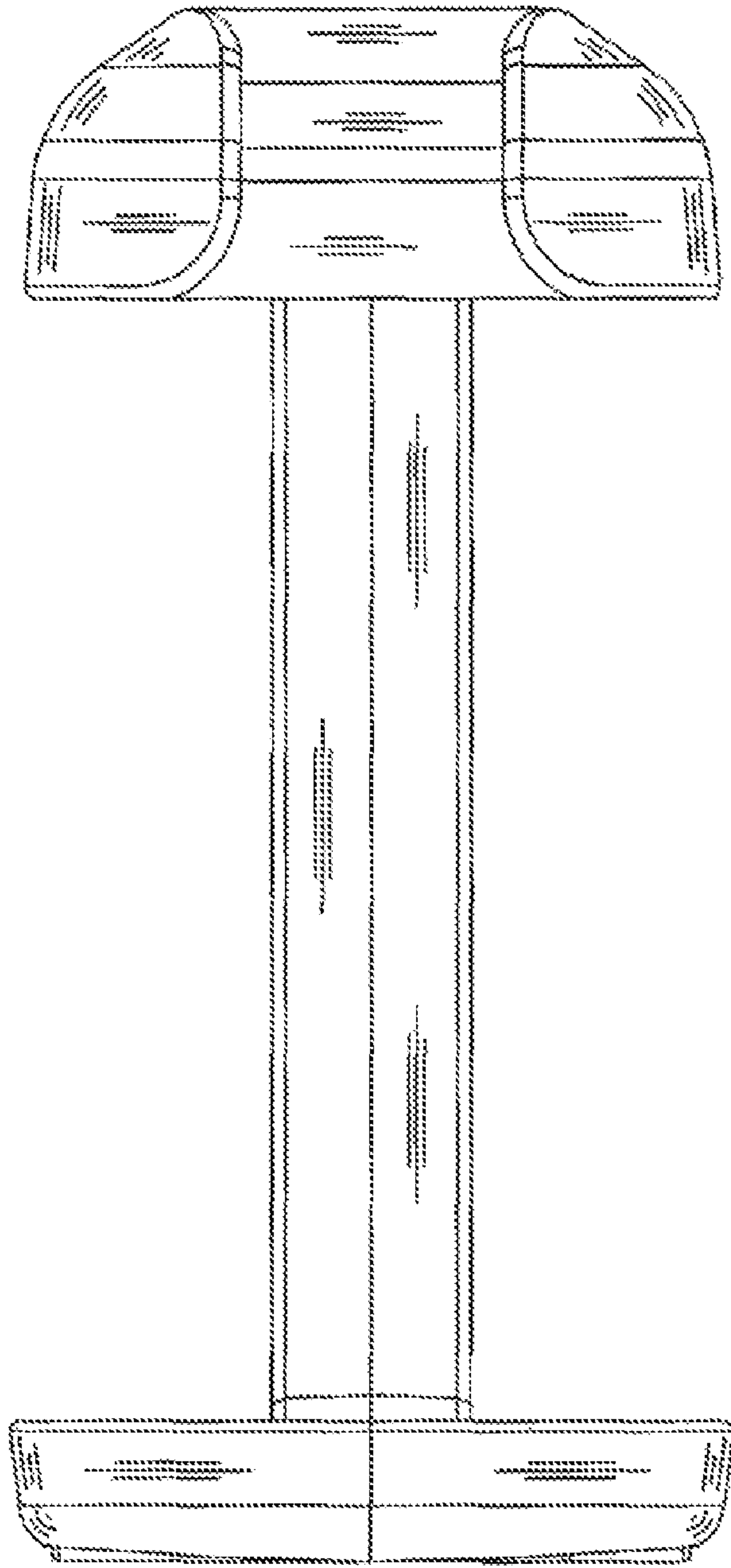


Figure 6

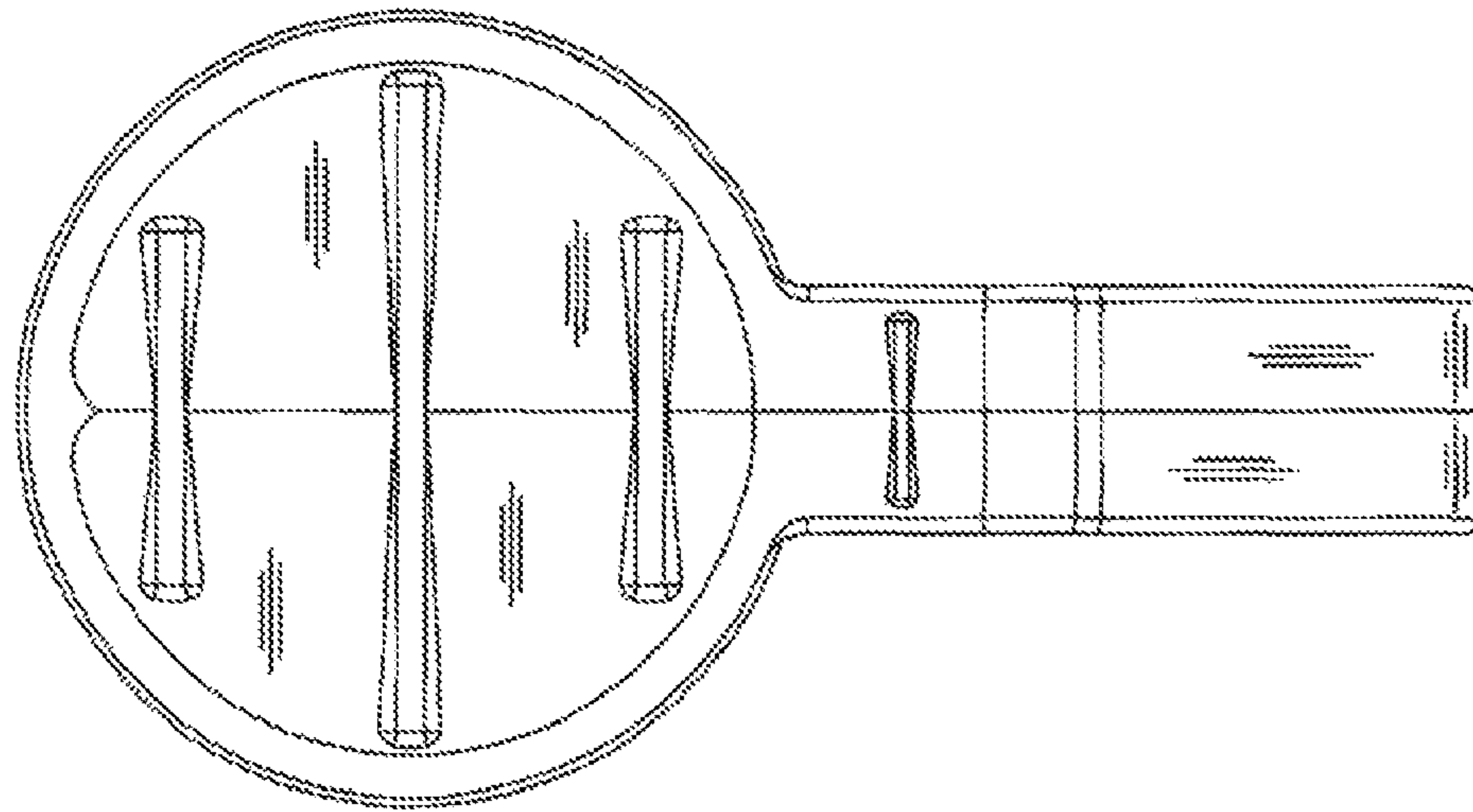


Figure 7