

US00D643286S

(12) **United States Design Patent**
Zomorodi et al.

(10) **Patent No.:** **US D643,286 S**

(45) **Date of Patent:** **** Aug. 16, 2011**

(54) **PARFAIT CUP**

(75) Inventors: **Brian Zomorodi**, La Canada Flintridge, CA (US); **Loys Larpin**, Monrovia, CA (US)

(73) Assignee: **Ready Pac Foods, Inc.**, Irwindale, CA (US)

(**) Term: **14 Years**

(21) Appl. No.: **29/364,056**

(22) Filed: **Jun. 17, 2010**

Related U.S. Application Data

(63) Continuation of application No. 29/363,796, filed on Jun. 14, 2010.

(51) **LOC (9) Cl.** **09-03**

(52) **U.S. Cl.** **D9/429**

(58) **Field of Classification Search** D9/414, D9/418, 424, 425, 428, 429, 431, 435; D7/619, D7/629; 229/400-406, 932, 906.1; 220/656-659, 220/669-675, 912, 4.21-4.27; 206/553, 206/557, 541, 775, 776
See application file for complete search history.

(56) **References Cited**

U.S. PATENT DOCUMENTS

3,912,118 A * 10/1975 Bird 206/508
D239,920 S * 5/1976 Smith D9/428

4,508,235 A * 4/1985 Steele et al. 215/307
D449,986 S * 11/2001 Schaefer D9/434
D453,107 S * 1/2002 Wyslowsky et al. D9/418
6,357,619 B1 * 3/2002 Schaefer 220/709
D455,652 S * 4/2002 Wyslowsky et al. D9/429
D473,788 S * 4/2003 Chen et al. D9/428
D536,579 S * 2/2007 Roth et al. D7/601
D631,693 S * 2/2011 Giraud et al. D7/396.1

* cited by examiner

Primary Examiner — Thomas Johannes

(74) *Attorney, Agent, or Firm* — Jones Day

(57) **CLAIM**

The ornamental design for a parfait cup, as shown and described.

DESCRIPTION

FIG. 1 is a perspective view of a parfait cup showing our new design;

FIG. 2 is an exploded, perspective view thereof;

FIG. 3 is a side elevation view thereof;

FIG. 4 is another side elevation view thereof;

FIG. 5 is another side elevation view thereof;

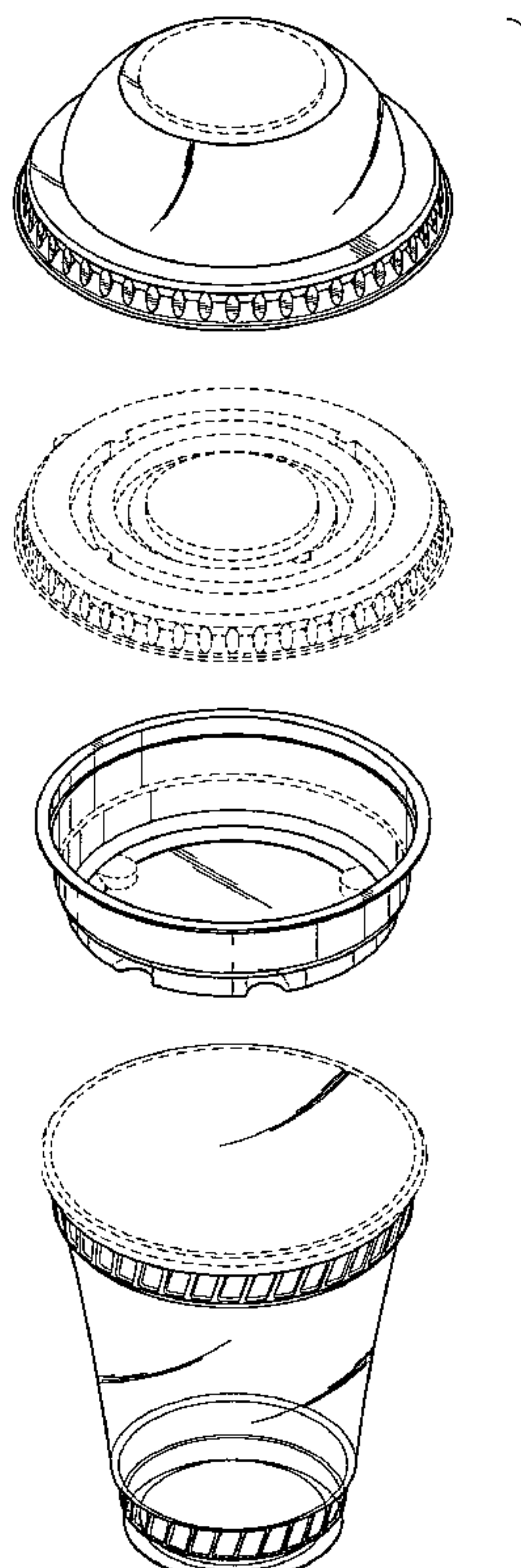
FIG. 6 is another side elevation view thereof;

FIG. 7 is a top plan view thereof; and,

FIG. 8 is a bottom plan view thereof.

The broken line portion of the figure drawings is included to show unclaimed subject matter only and forms no part of the claimed design.

1 Claim, 3 Drawing Sheets



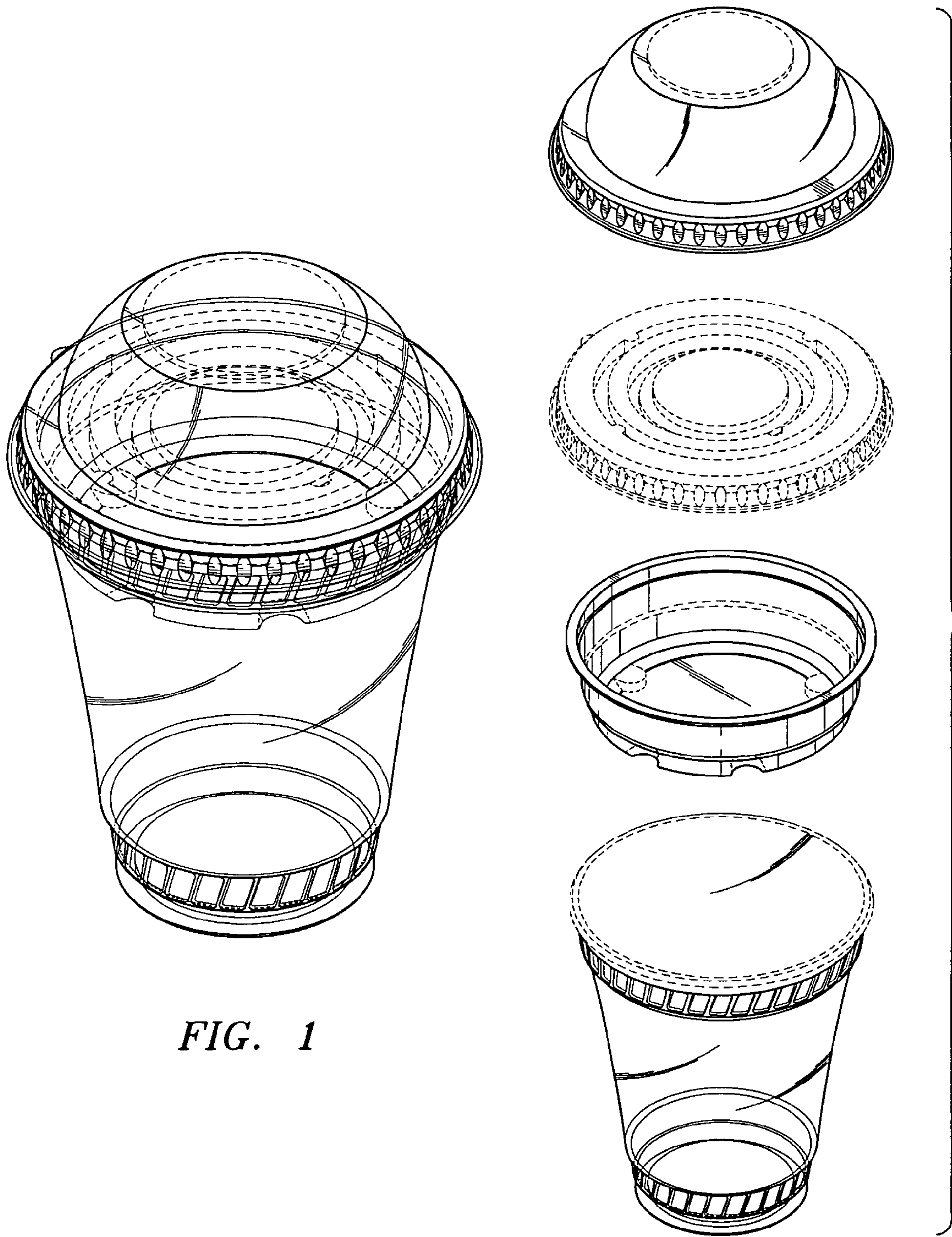


FIG. 1

FIG. 2

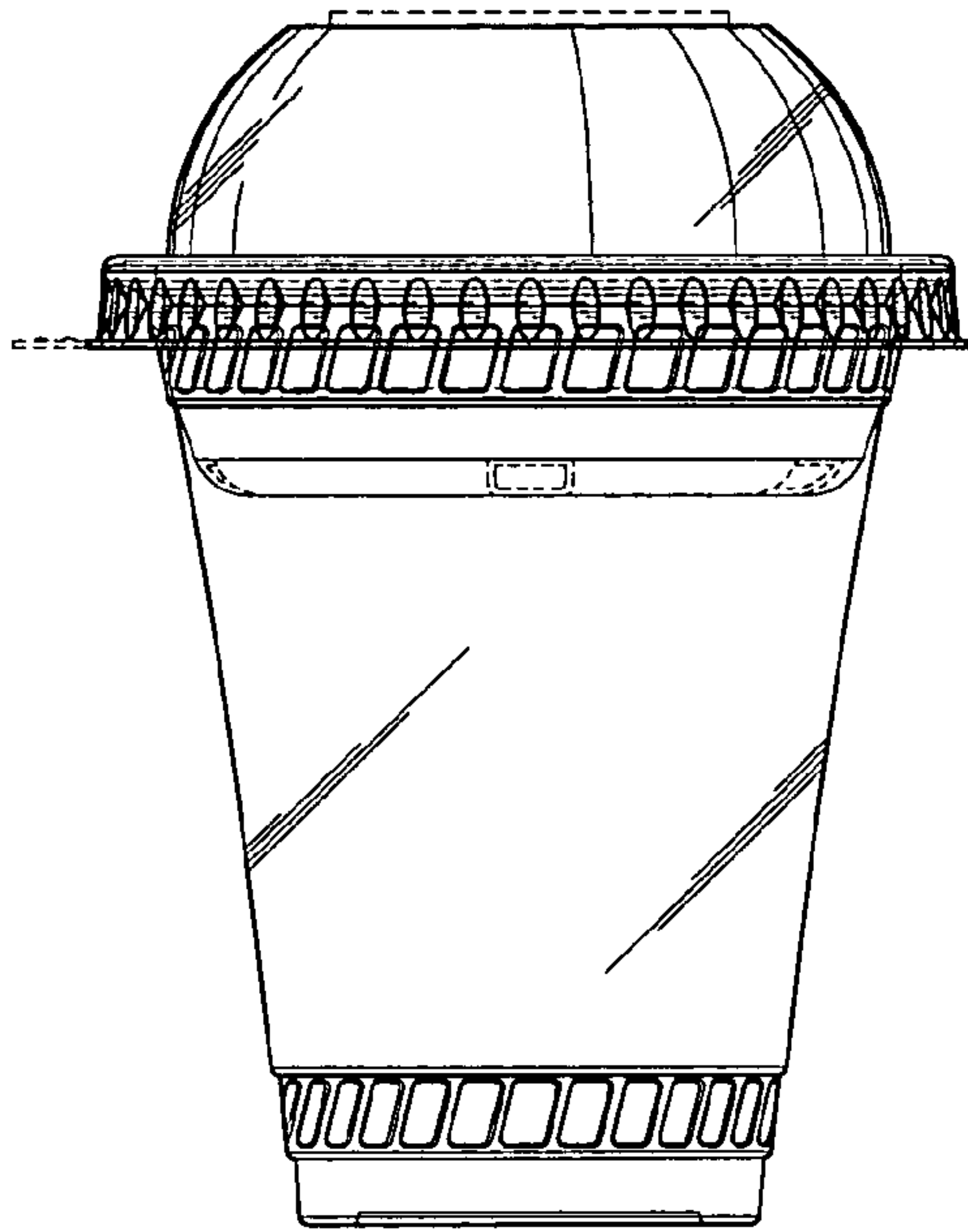


FIG. 3

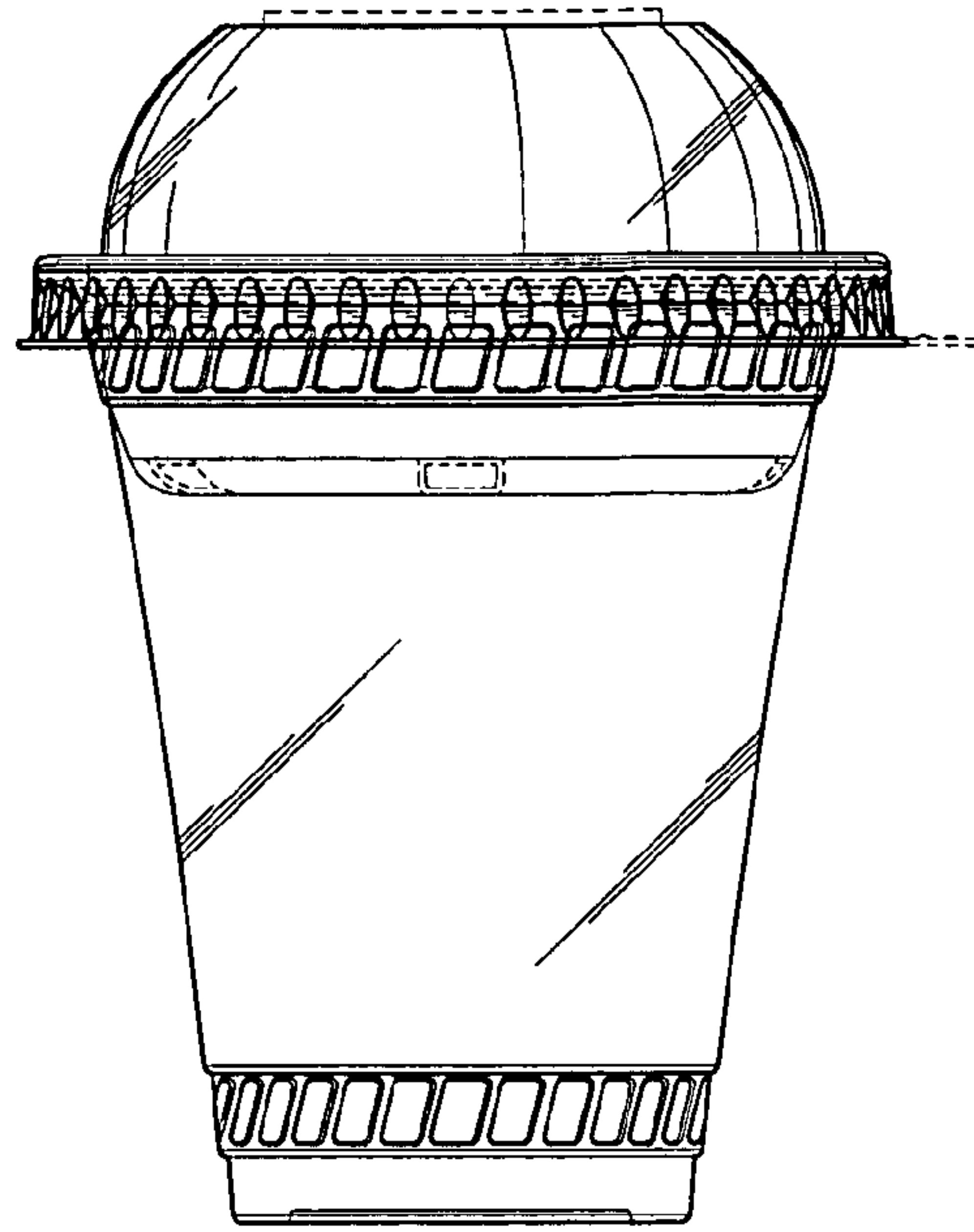


FIG. 4

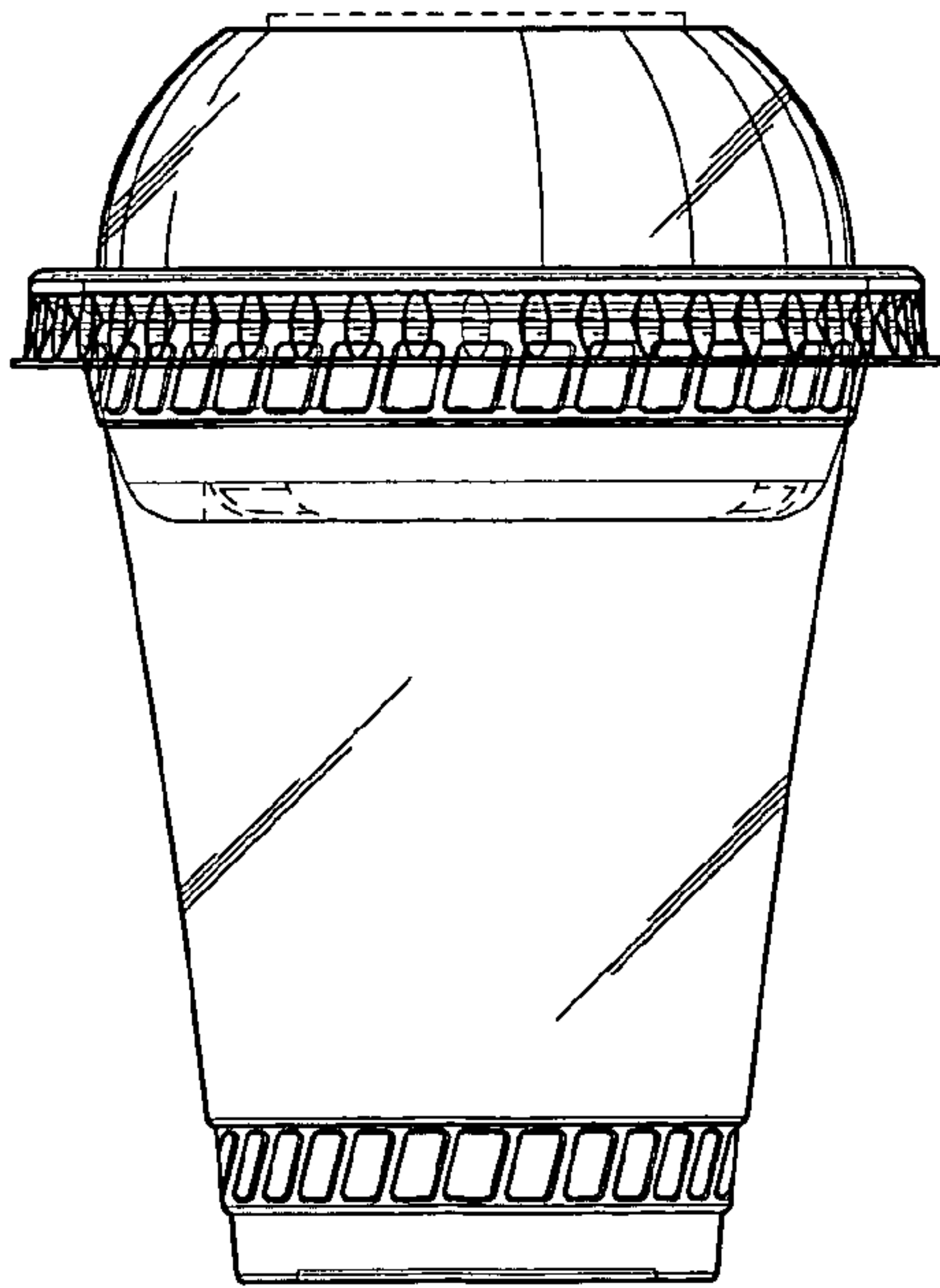


FIG. 5

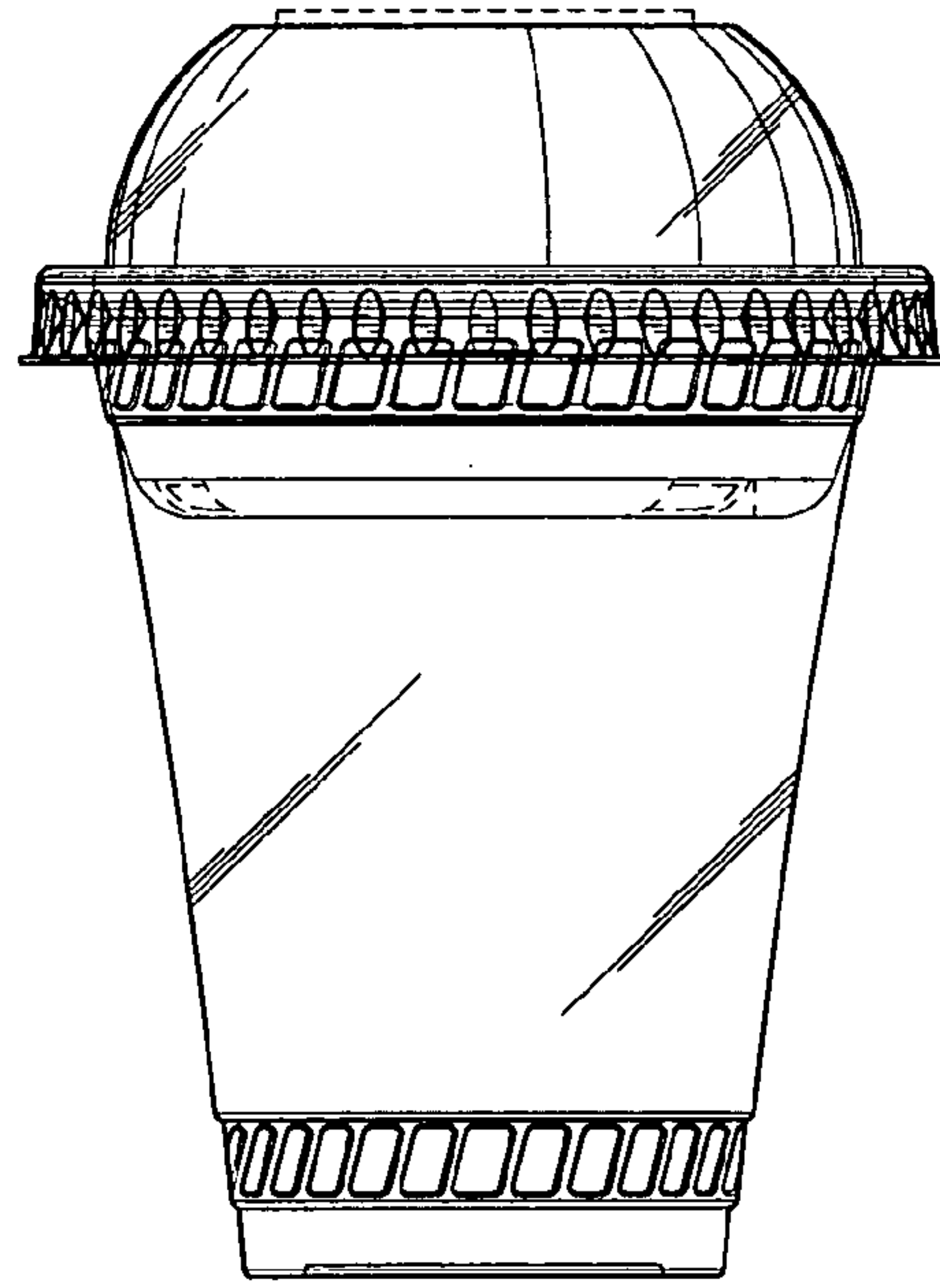


FIG. 6

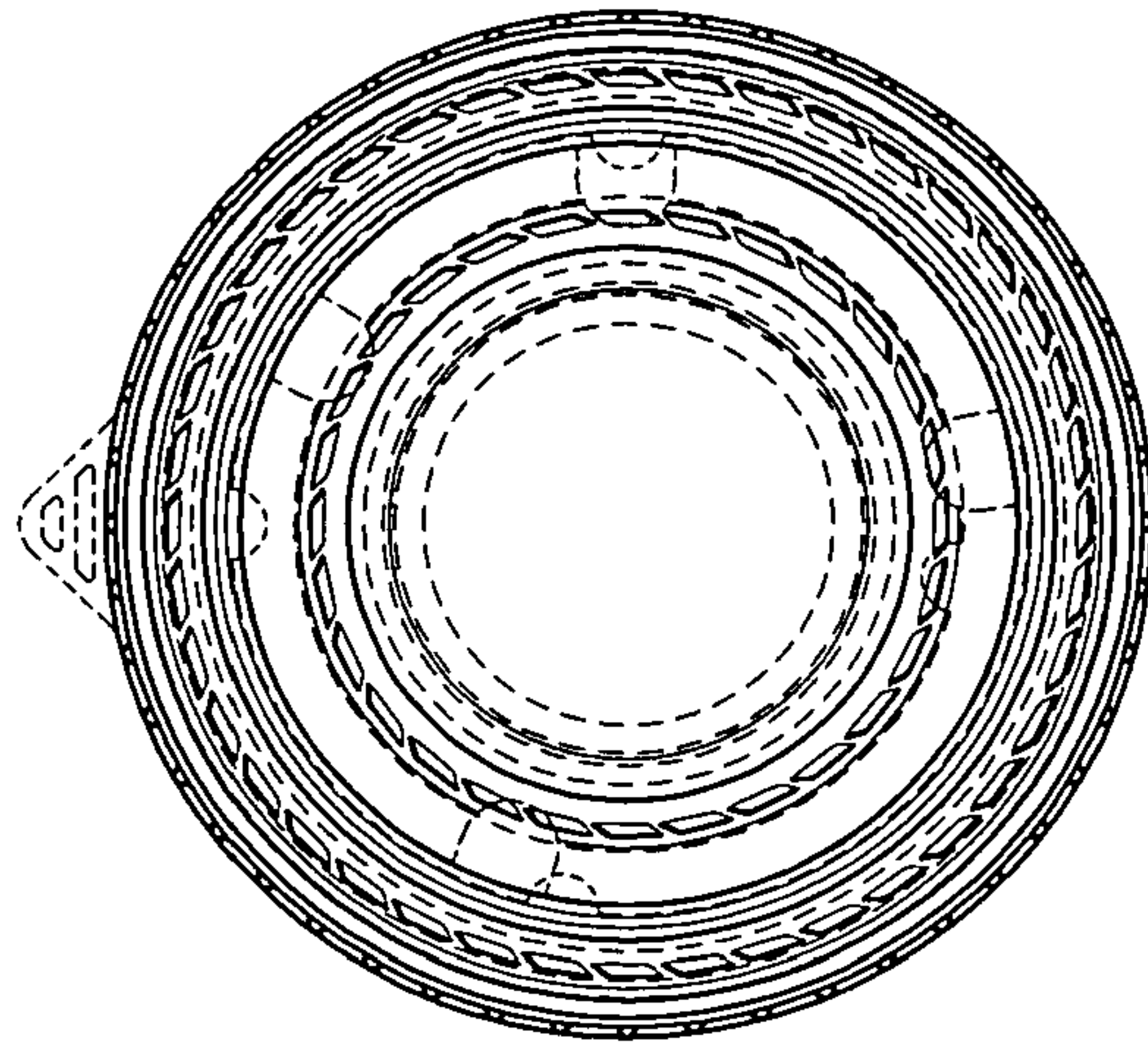


FIG. 7

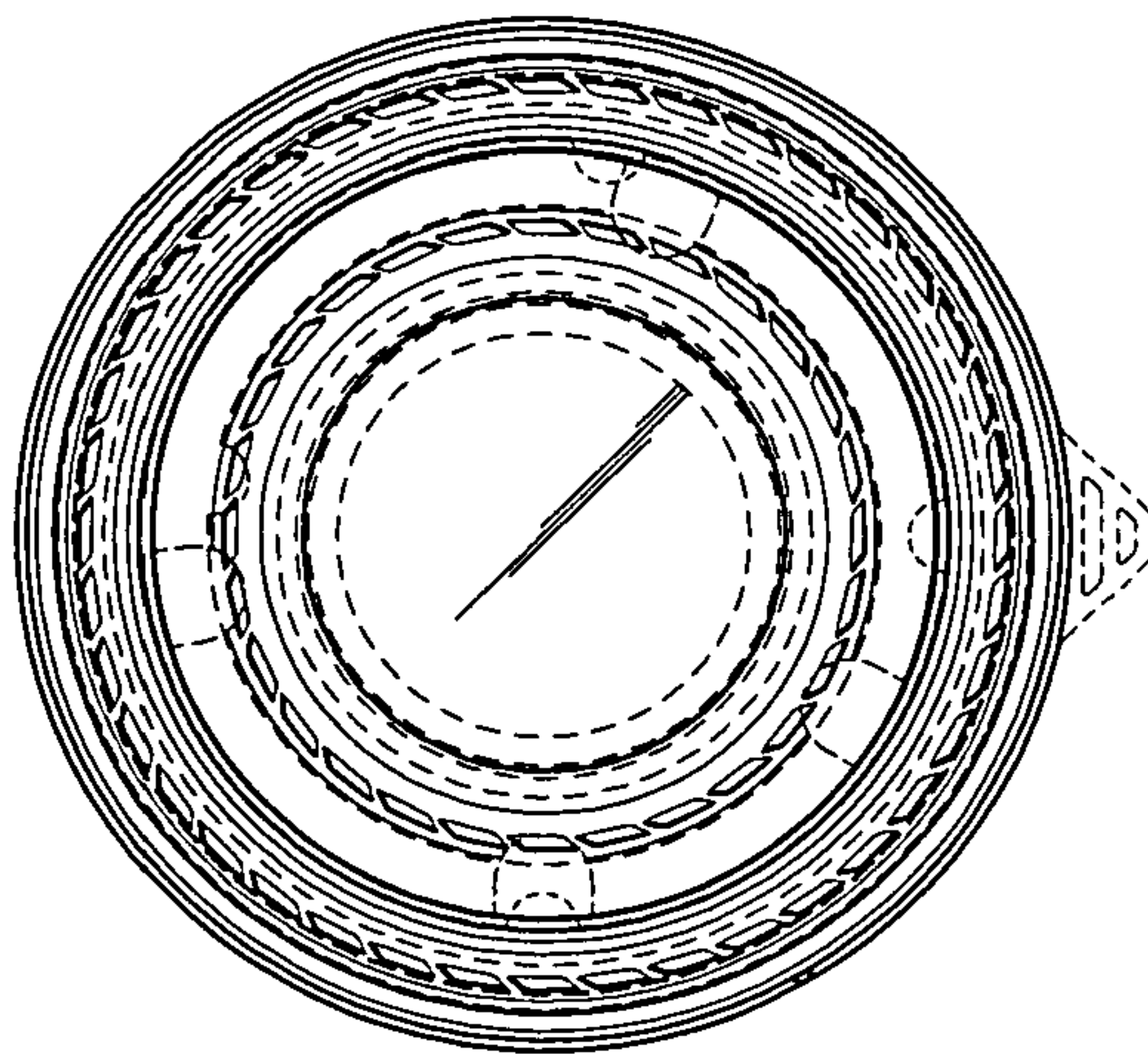


FIG. 8