



US00D643282S

(12) **United States Design Patent**
Christopher

(10) **Patent No.:** **US D643,282 S**
(45) **Date of Patent:** **** Aug. 16, 2011**

(54) **HAND TOOL PACKAGING**

(75) Inventor: **Brent Christopher**, Portland, OR (US)

(73) Assignee: **Meridian International Co., Ltd.** (CN)

(**) Term: **14 Years**

(21) Appl. No.: **29/386,221**

(22) Filed: **Feb. 25, 2011**

(51) **LOC (9) Cl.** **09-03**

(52) **U.S. Cl.** **D9/415**

(58) **Field of Classification Search** D9/715,
D9/718, 721, 722, 737, 748, 758, 414-435;
206/461-471, 775, 779, 806, 206-212, 349-383,
206/477-484; 211/13.1, 60.1, 70.1, 70.6

See application file for complete search history.

(56) **References Cited**

U.S. PATENT DOCUMENTS

2,509,507	A *	5/1950	Kane	206/377
D163,263	S *	5/1951	Dodd et al.	D6/469
2,564,601	A *	8/1951	Huot	206/379
2,844,244	A *	7/1958	Hanson	206/379
D230,399	S *	2/1974	Mirasol	D24/187
5,711,421	A *	1/1998	Guo	206/223
5,938,028	A *	8/1999	Hu	206/377
D429,634	S *	8/2000	Pirro	D9/415
6,206,189	B1 *	3/2001	Huot et al.	206/379
D477,782	S *	7/2003	Throgmorton	D9/456

6,601,674	B2 *	8/2003	Murray	182/129
7,353,948	B1 *	4/2008	McDonald	206/471
D598,737	S *	8/2009	Neves et al.	D9/415

FOREIGN PATENT DOCUMENTS

CN	3014907	*	8/1992
CN	3351989	*	2/2004
CN	300833057	*	10/2008

* cited by examiner

Primary Examiner — Catherine Tuttle

(74) *Attorney, Agent, or Firm* — Jason R. Sytsma;
Shuttleworth & Ingersoll, PLC

(57) **CLAIM**

The ornamental design for the hand tool packaging, as shown and described.

DESCRIPTION

FIG. 1 is a front and right side perspective view of the hand tool packaging showing my new design;

FIG. 2 is a front view thereof;

FIG. 3 is a back view thereof;

FIG. 4 is a left side view thereof;

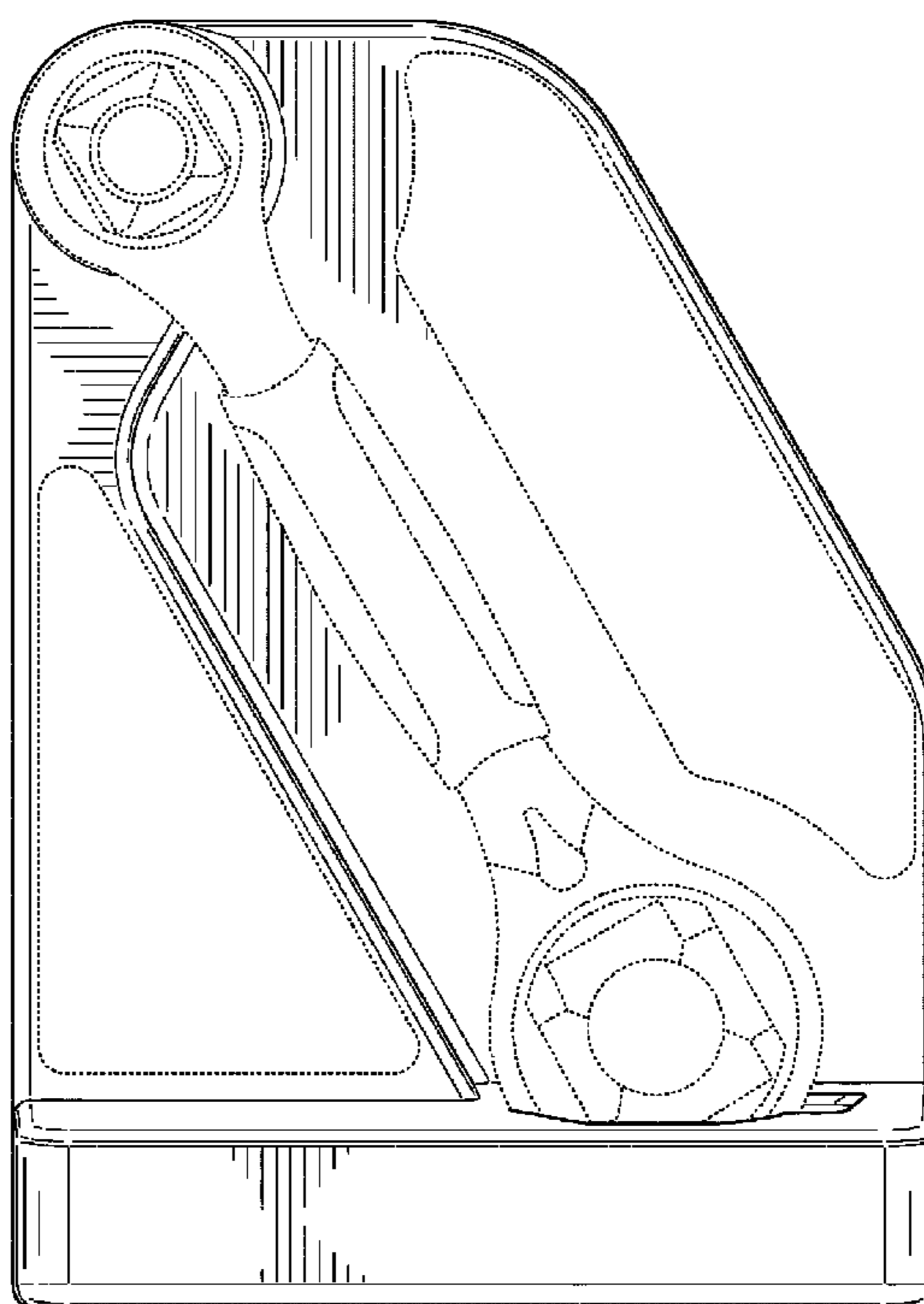
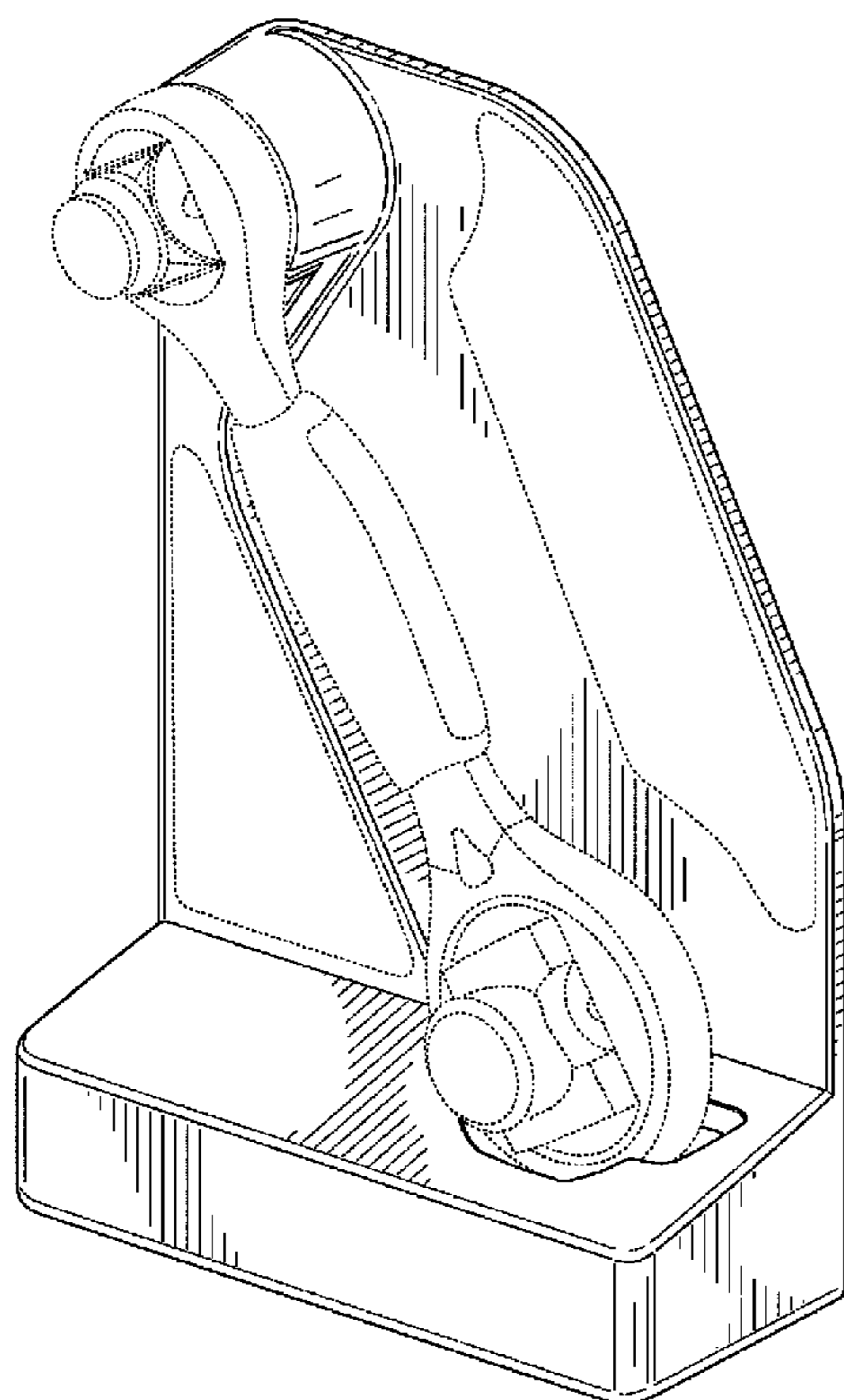
FIG. 5 is a right side view thereof;

FIG. 6 is a top view thereof; and,

FIG. 7 is a bottom view thereof.

The broken lines are included for the purpose of illustrating a hand tool and portions of the packaging that together form no part of the claimed design.

1 Claim, 5 Drawing Sheets



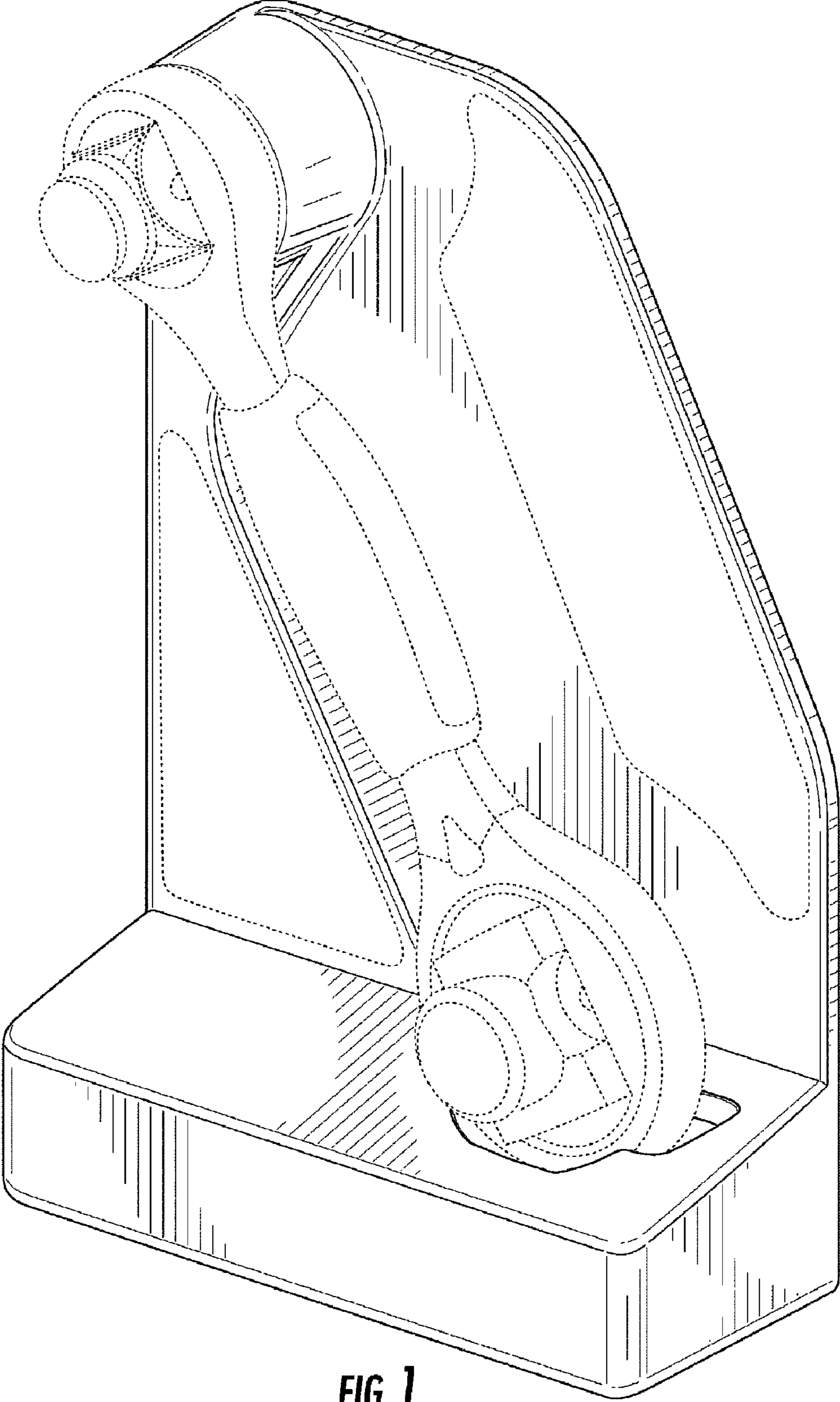


FIG. 1

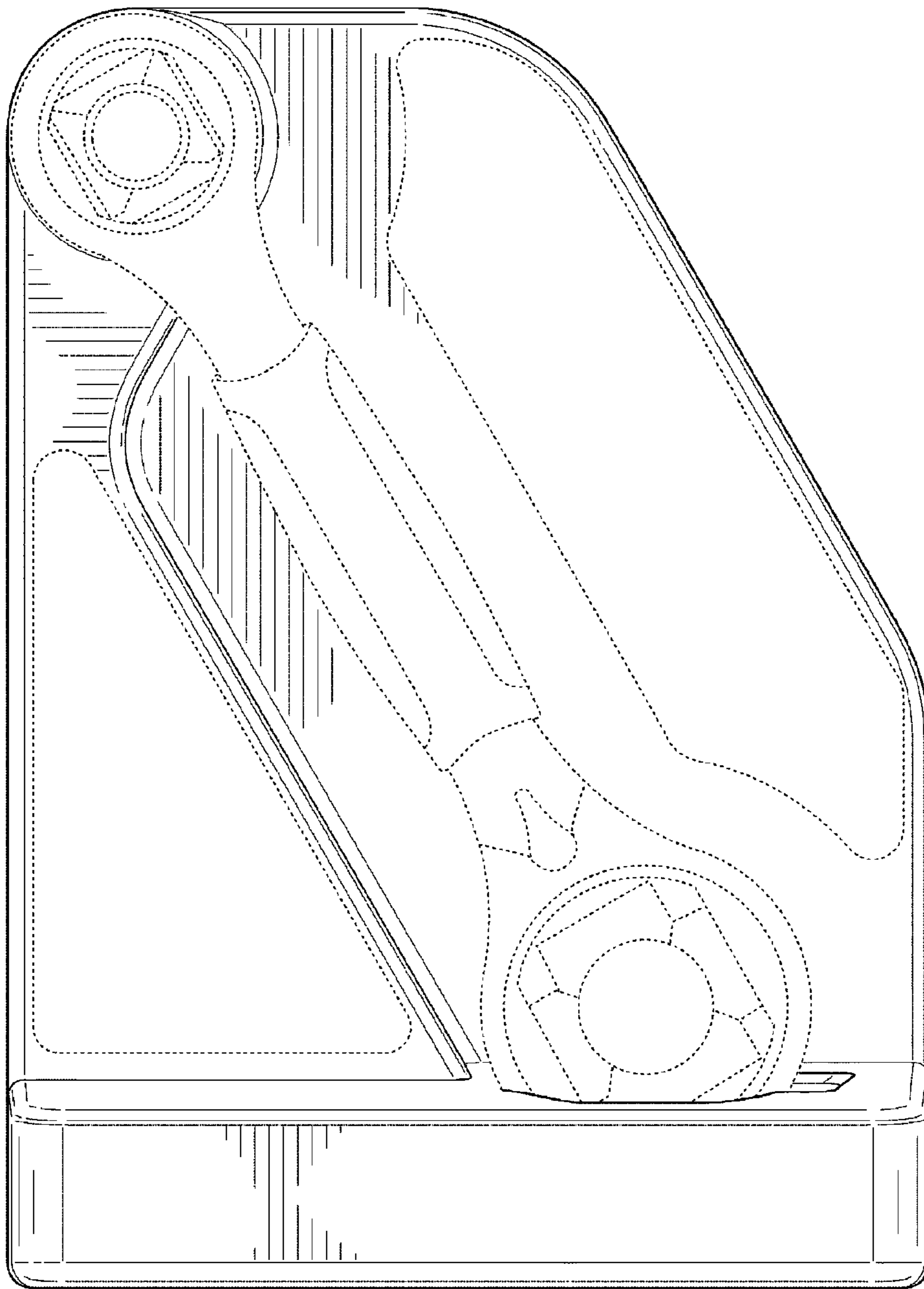


FIG. 2

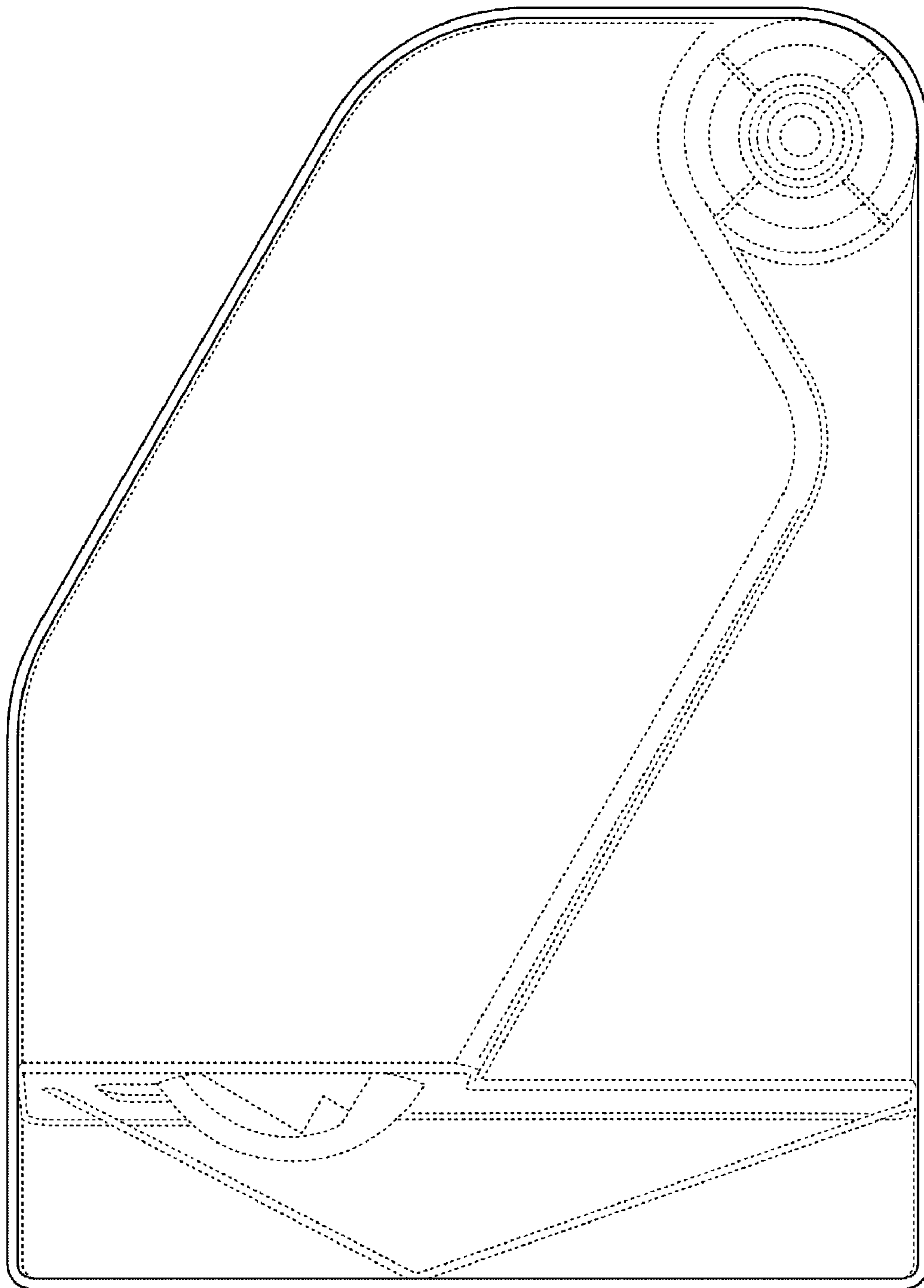


FIG. 3

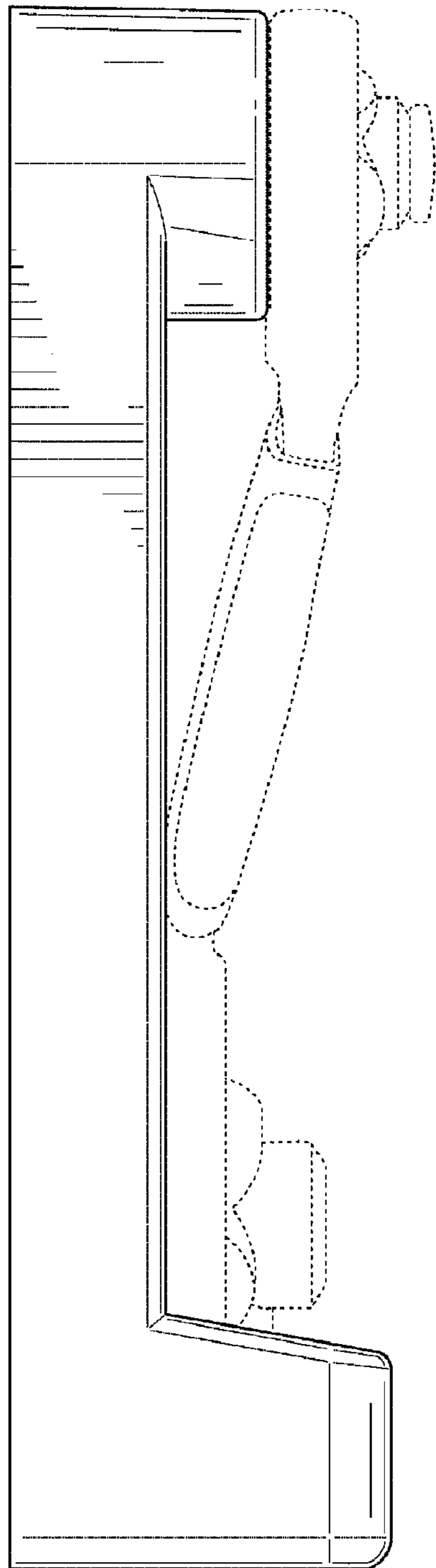


FIG. 4

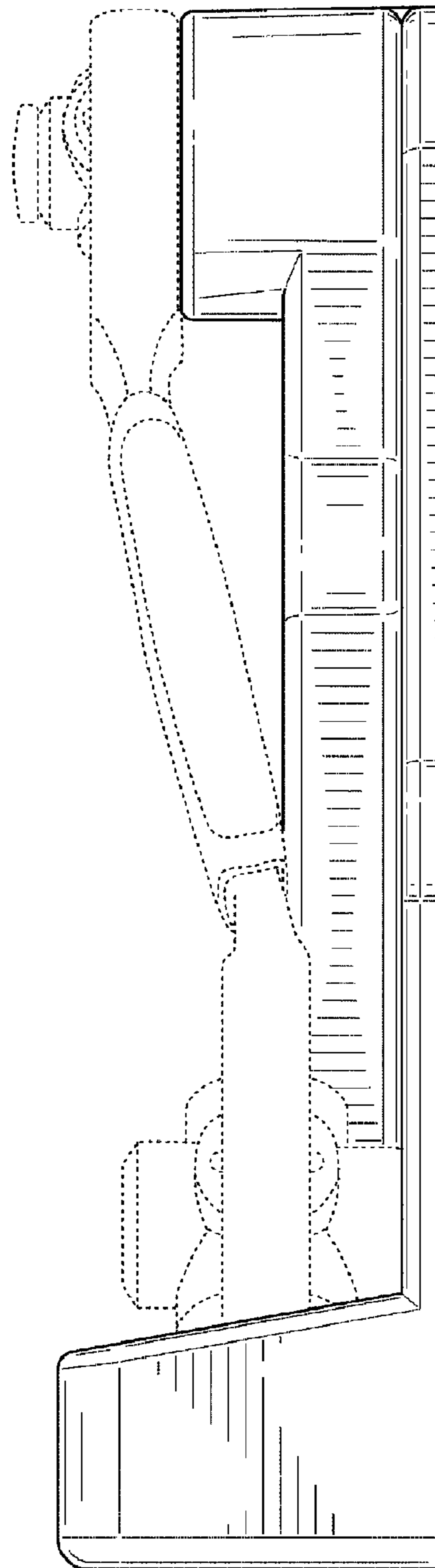


FIG. 5

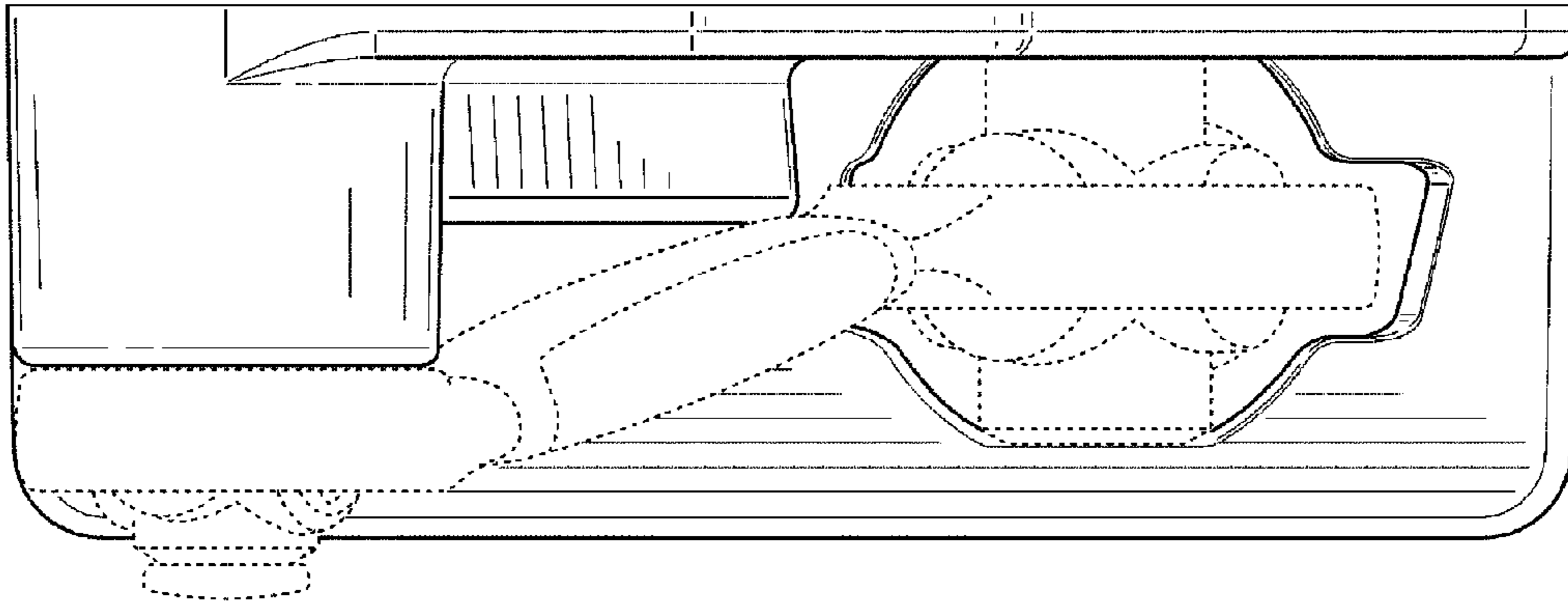


FIG. 6

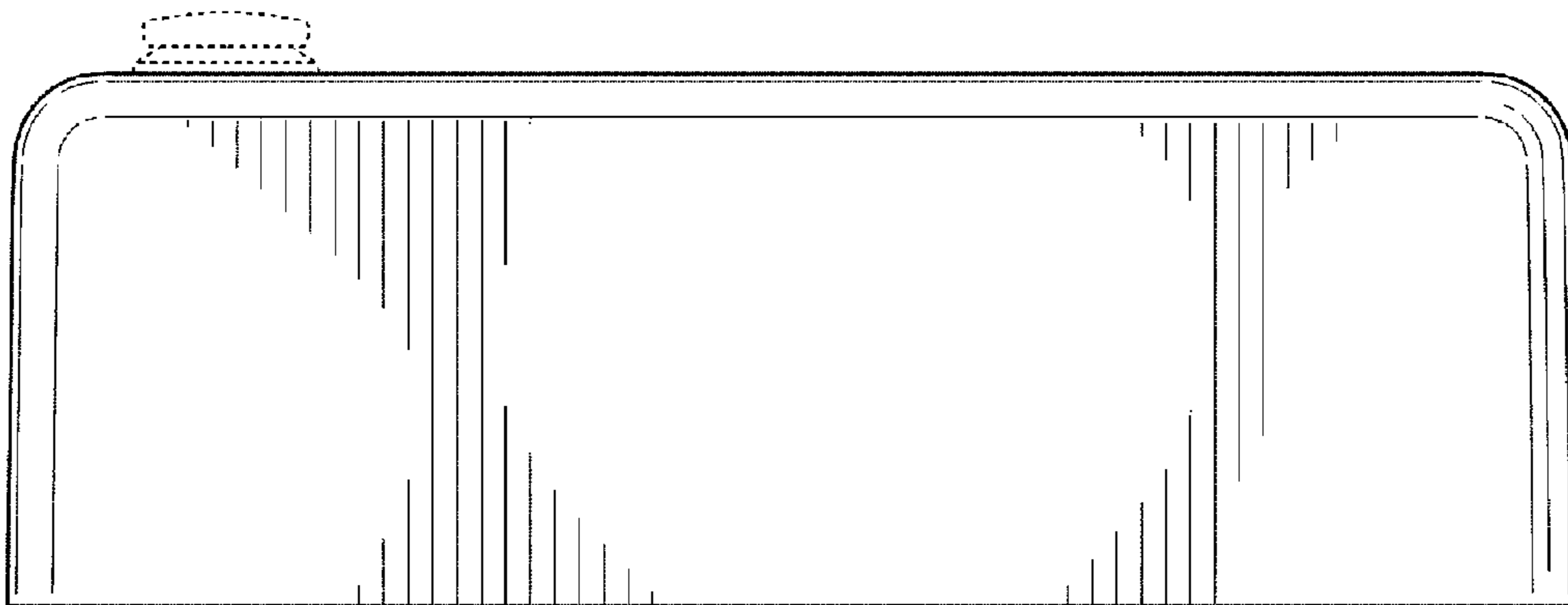


FIG. 7