



US00D643281S

(12) **United States Design Patent**  
**Roberts**

(10) **Patent No.:** **US D643,281 S**

(45) **Date of Patent:** **\*\* Aug. 16, 2011**

(54) **CLAMP FOR ROD ROTATOR**

(75) Inventor: **Eric Clifton Roberts**, Fritch, TX (US)

(73) Assignee: **Robbins & Myers Energy Systems**  
**L.P.**, Willis, TX (US)

(\*\*) Term: **14 Years**

(21) Appl. No.: **29/382,010**

(22) Filed: **Dec. 28, 2010**

(51) **LOC (9) Cl.** ..... **08-08**

(52) **U.S. Cl.** ..... **D8/394; D8/72**

(58) **Field of Classification Search** ..... D8/356,  
D8/371, 394-396; D19/65, 34; D24/128;  
24/570, 128, 67.9, 66.13; 248/74.2, 215,  
248/227.1, 49, 300, 301, 316.7, 51, 489;  
D11/214, 215, 78.1; 116/237

See application file for complete search history.

(56) **References Cited**

**U.S. PATENT DOCUMENTS**

977,802	A	*	12/1910	Jensen	.....	269/91
3,914,871	A	*	10/1975	Wolff	.....	408/103
D282,715	S	*	2/1986	Manning	.....	D8/72
D318,409	S	*	7/1991	Garrett	.....	D8/72
D393,998	S	*	5/1998	Anderson	.....	D8/394

6,023,800	A	*	2/2000	Stickley	.....	5/621
6,279,861	B1	*	8/2001	Nolan	.....	248/188.2
D471,794	S	*	3/2003	Wall	.....	D8/382
D484,991	S	*	1/2004	Davies et al.	.....	D25/60
D525,862	S	*	8/2006	Wall	.....	D8/382
D583,640	S	*	12/2008	Gilham	.....	D8/73
D616,276	S	*	5/2010	Friegang	.....	D8/72

\* cited by examiner

*Primary Examiner* — Celia Murphy

*Assistant Examiner* — John Windmuller

(74) *Attorney, Agent, or Firm* — Browning Bushman P.C.

(57) **CLAIM**

The ornamental design for a clamp for rod rotator, as shown and described.

**DESCRIPTION**

FIG. 1 is a left side view of the clamp.

FIG. 2 is a right side view of the clamp.

FIG. 3 is a front view of the clamp.

FIG. 4 is a back view of the clamp.

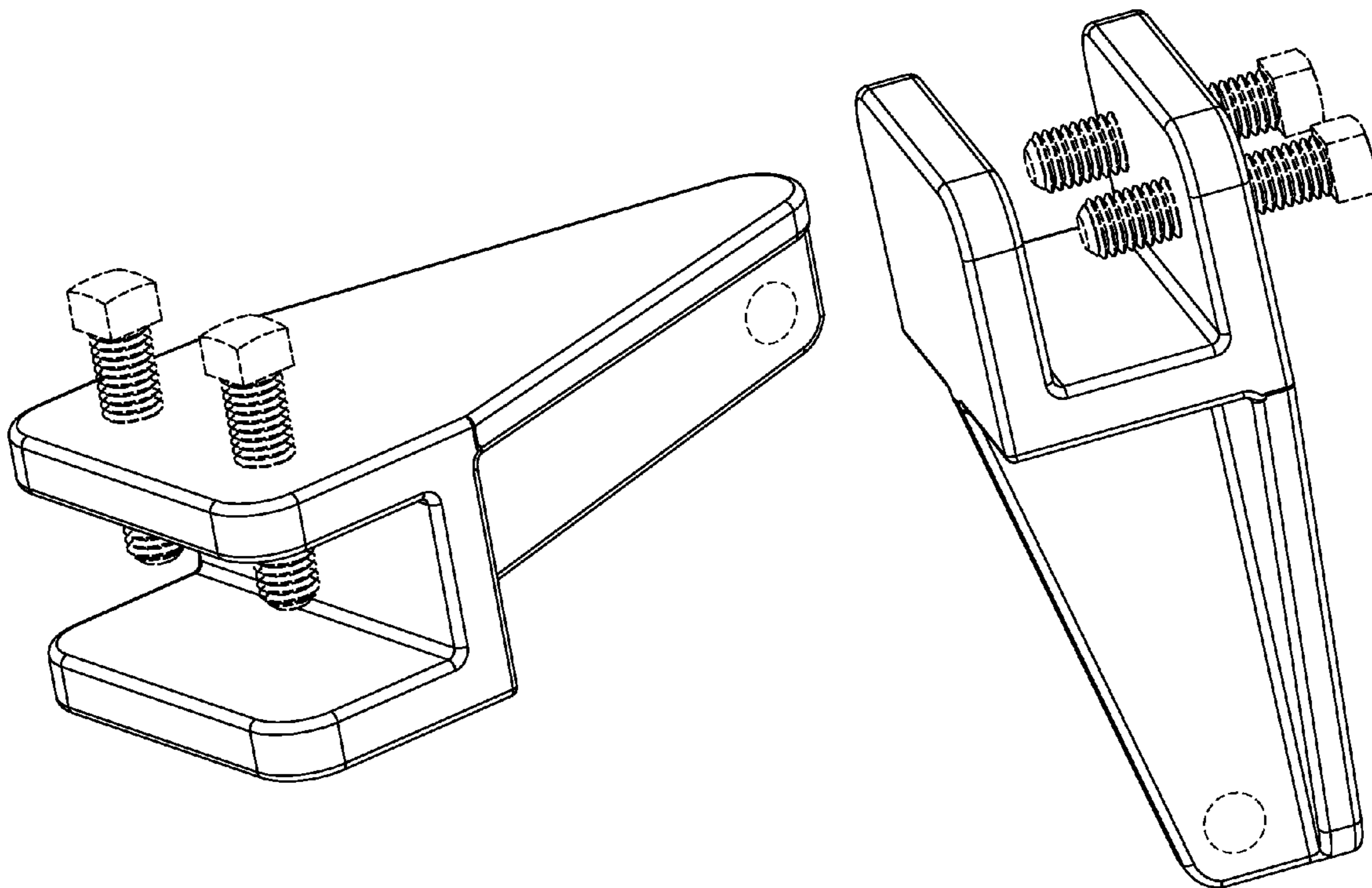
FIG. 5 is a top view of the clamp.

FIG. 6 is a bottom view of the clamp.

FIG. 7 is a perspective view of the clamp; and,

FIG. 8 is another perspective view of the clamp.

**1 Claim, 3 Drawing Sheets**



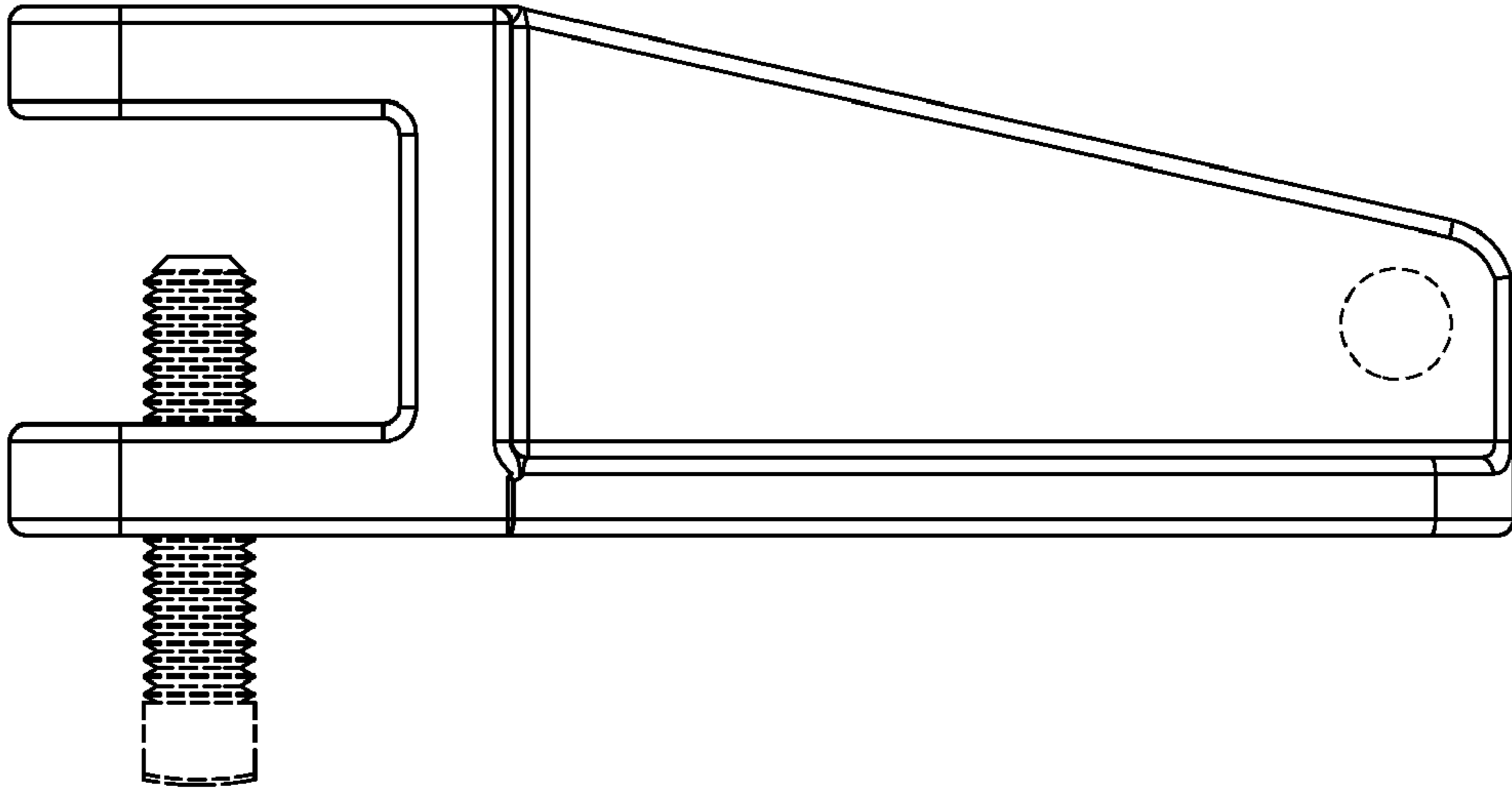


FIG. 2

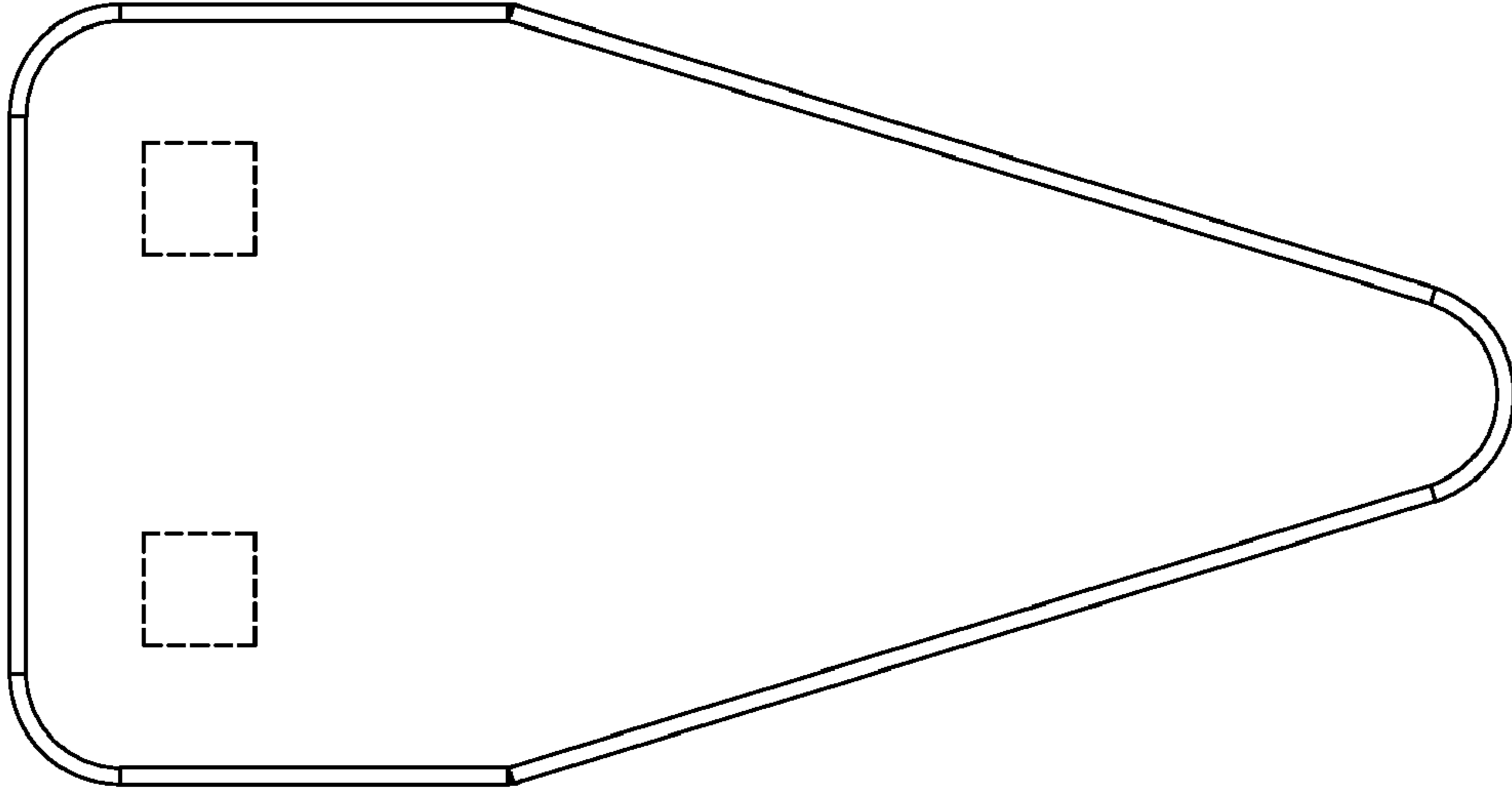


FIG. 3

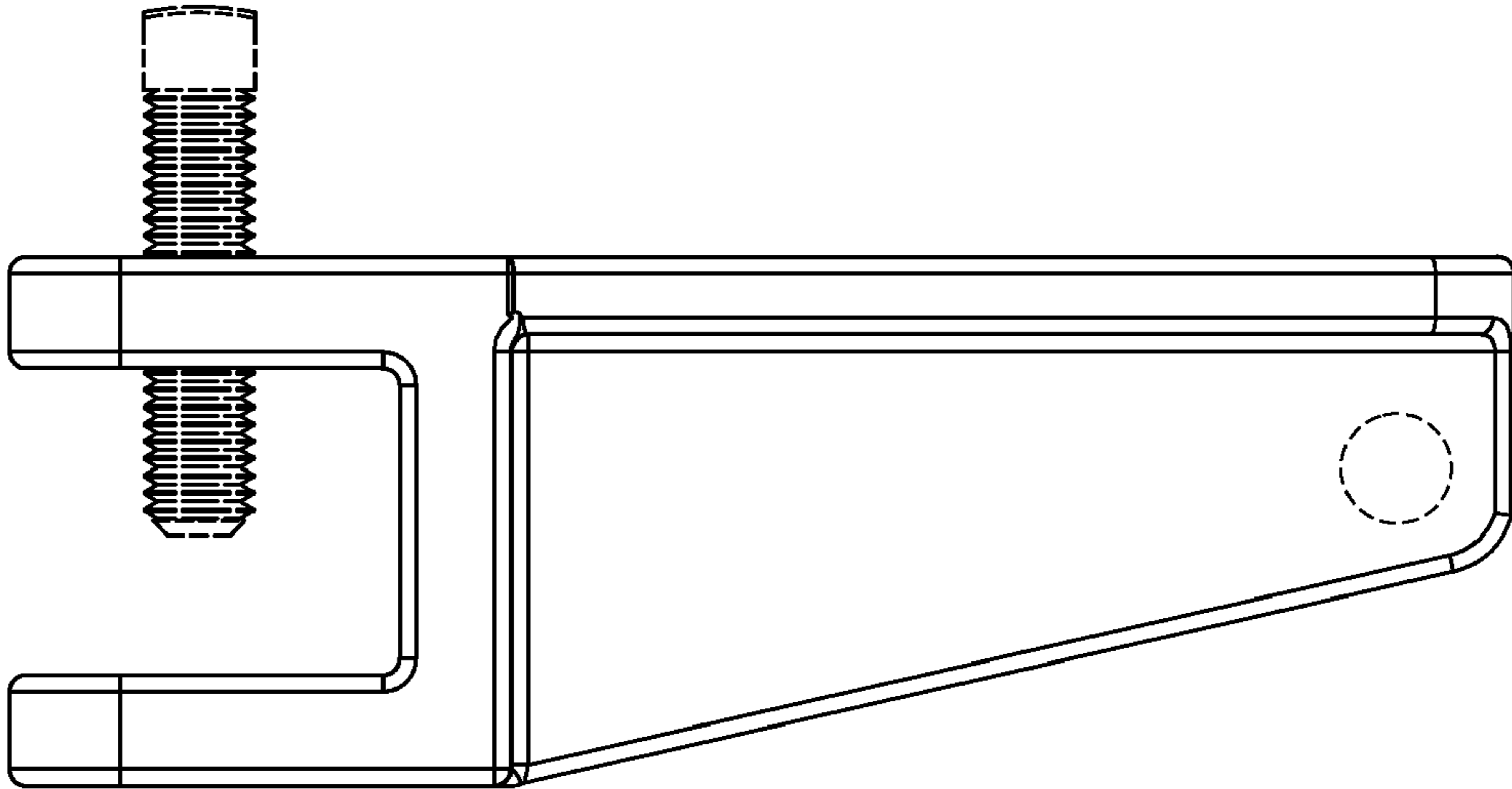


FIG. 1

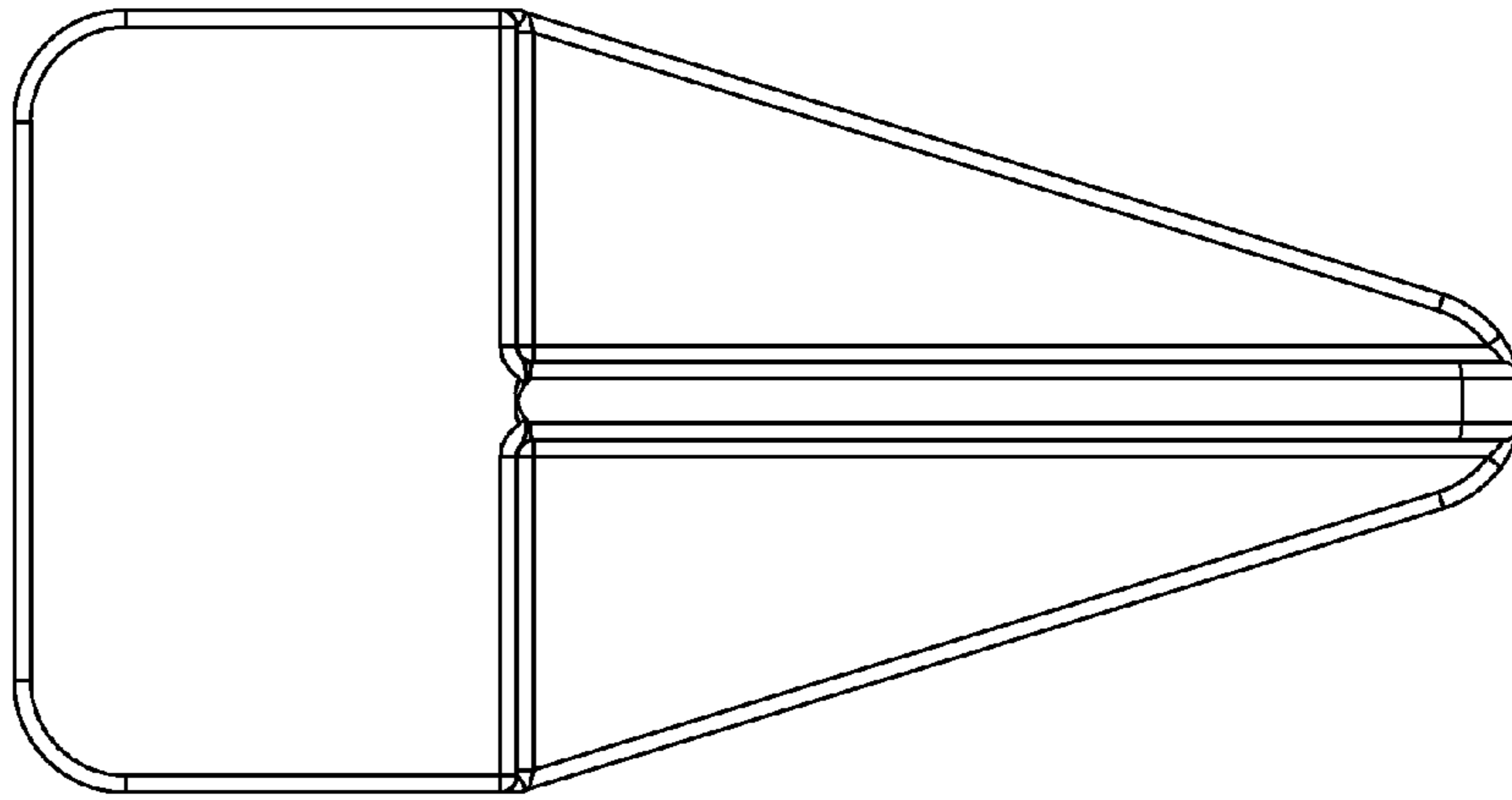


FIG. 4

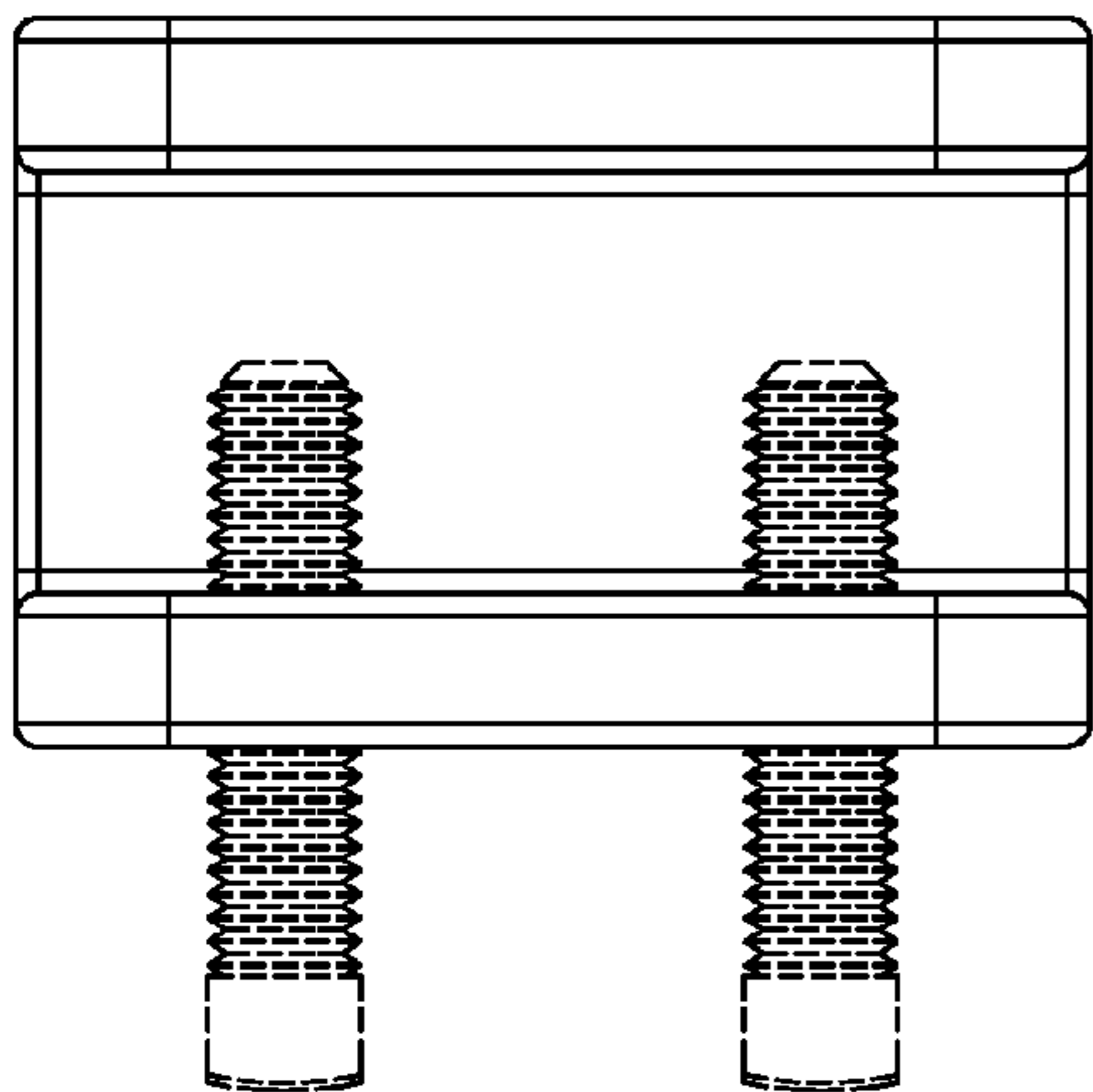


FIG. 5

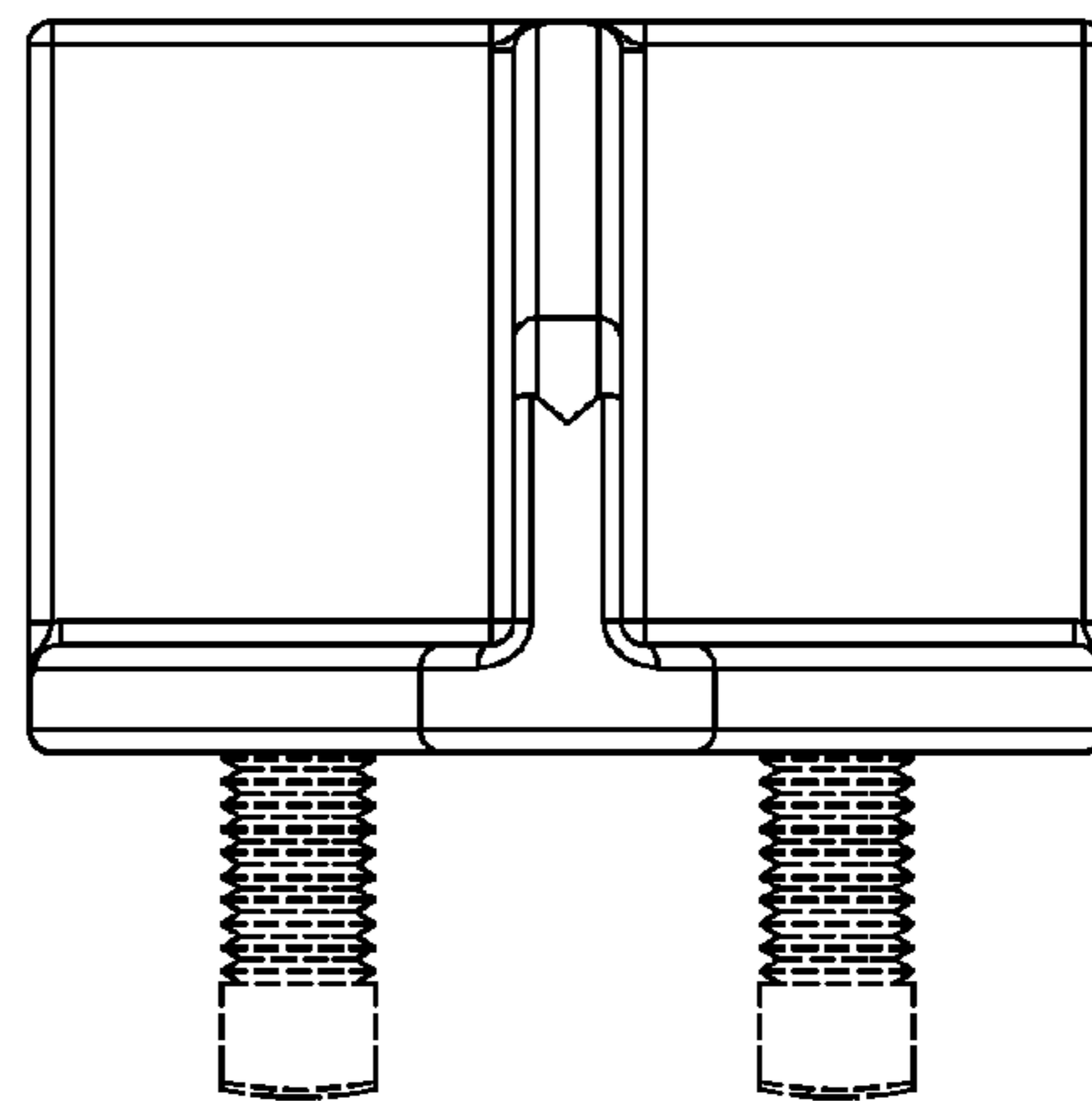


FIG. 6

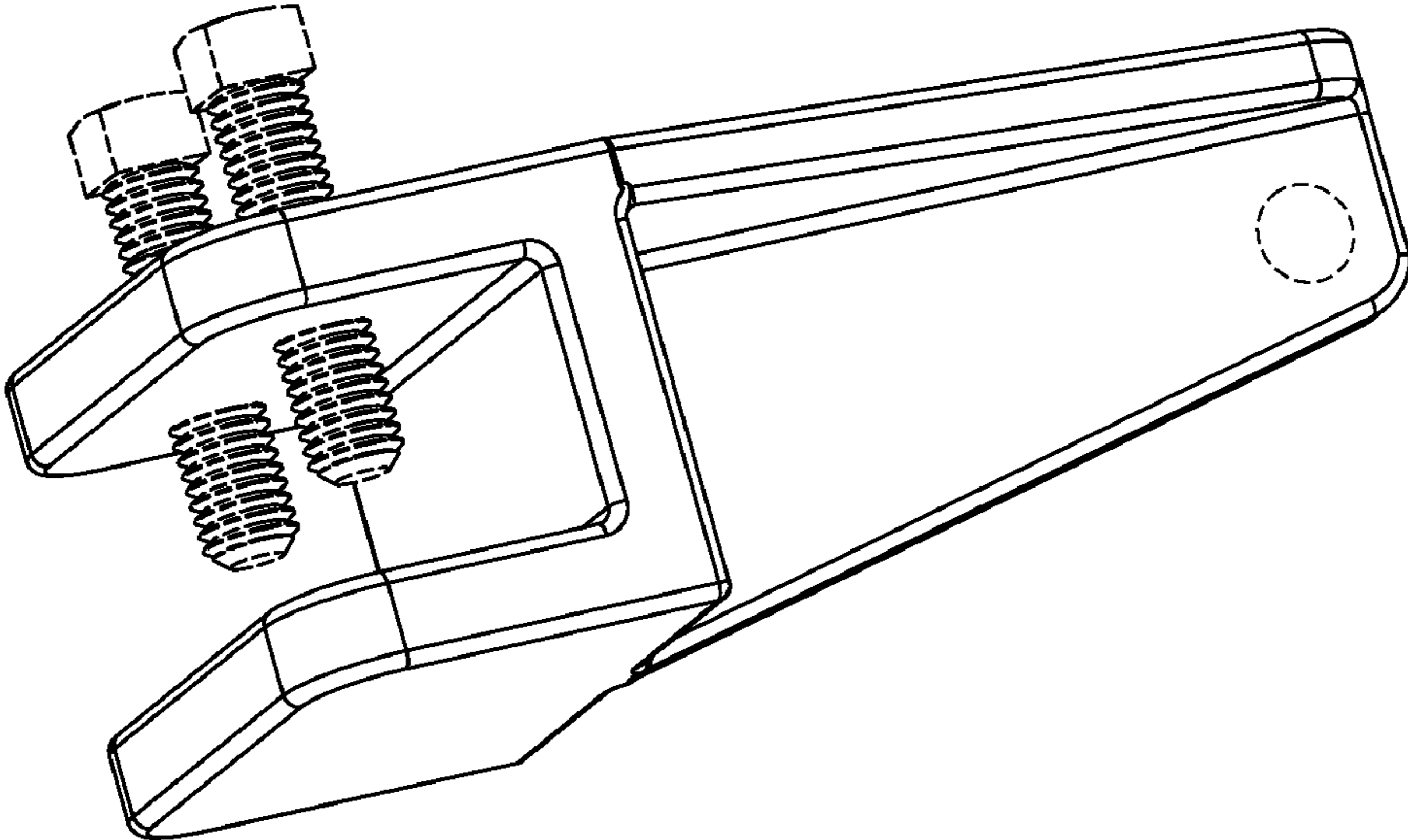


FIG. 8

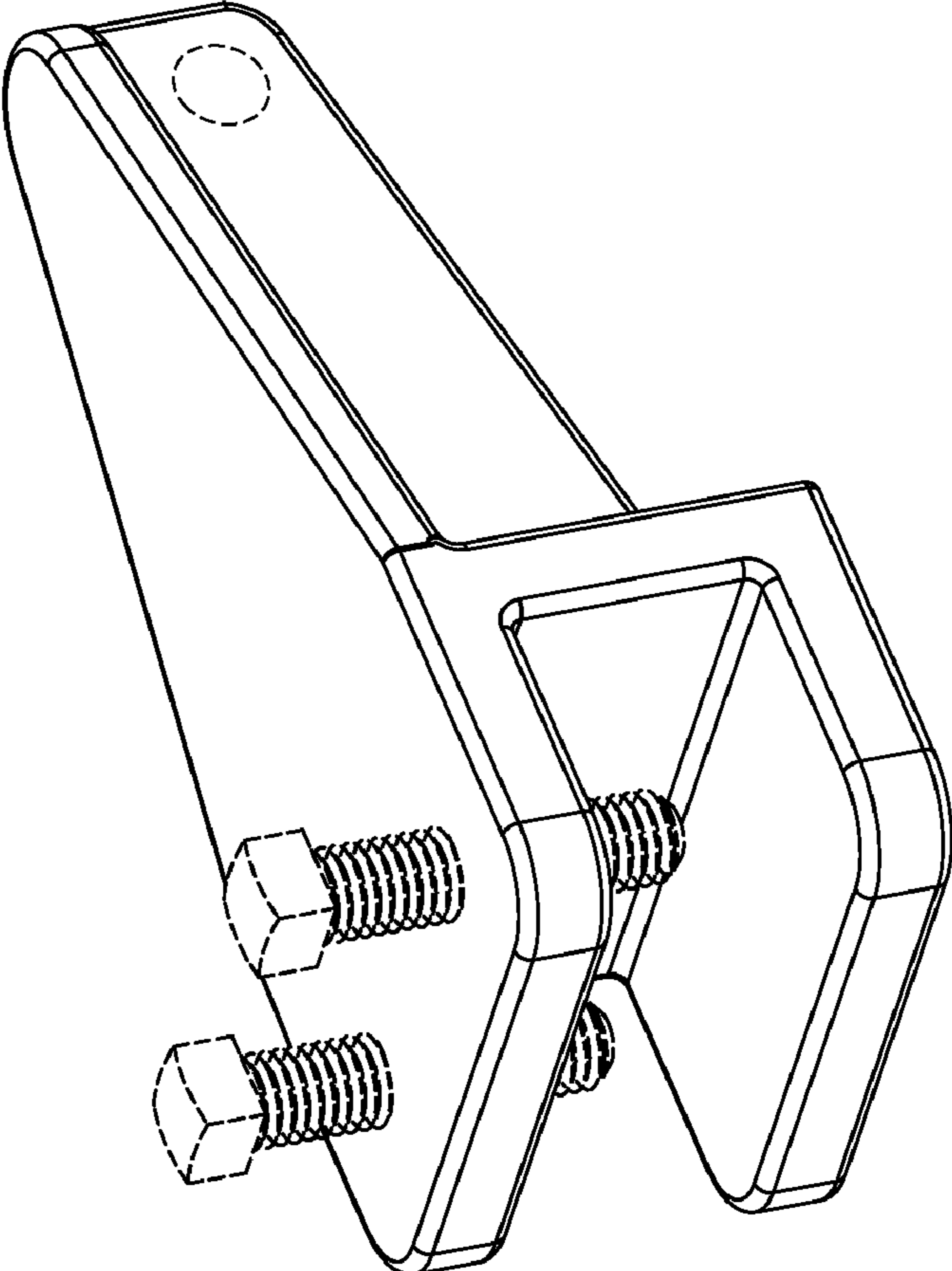


FIG. 7