

US00D643279S

(12) **United States Design Patent**
Crane et al.

(10) **Patent No.:** **US D643,279 S**

(45) **Date of Patent:** **** Aug. 16, 2011**

(54) **THREADED FASTENER**

(76) Inventors: **James Anthony Crane**, York, SC (US);
Fred J. Serpico, Fayetteville, GA (US)

(**) Term: **14 Years**

(21) Appl. No.: **29/361,801**

(22) Filed: **May 14, 2010**

(51) **LOC (9) Cl.** **08-08**

(52) **U.S. Cl.** **D8/387**

(58) **Field of Classification Search** D8/387,
D8/388, 391; 411/378-379, 393-394, 411,
411/402, 404, 178, 184, 188

See application file for complete search history.

(56) **References Cited**

U.S. PATENT DOCUMENTS

3,358,548	A *	12/1967	Dyslin	411/387.2
D260,525	S *	9/1981	Lassiter	D15/139
5,039,262	A *	8/1991	Giannuzzi	411/30
5,160,225	A *	11/1992	Chern	411/30
D418,048	S *	12/1999	Chan	D8/387
D482,957	S *	12/2003	Lajeunesse et al.	D8/387
D552,977	S *	10/2007	He et al.	D8/387

D585,731	S *	2/2009	Carrillo et al.	D8/387
D604,600	S *	11/2009	Lesesky	D8/387
2004/0156696	A1 *	8/2004	Grosch	411/378

* cited by examiner

Primary Examiner — Holly Baynham

Assistant Examiner — Sheryl Lane

(74) *Attorney, Agent, or Firm* — QuickPatents, Inc.; Kevin Prince

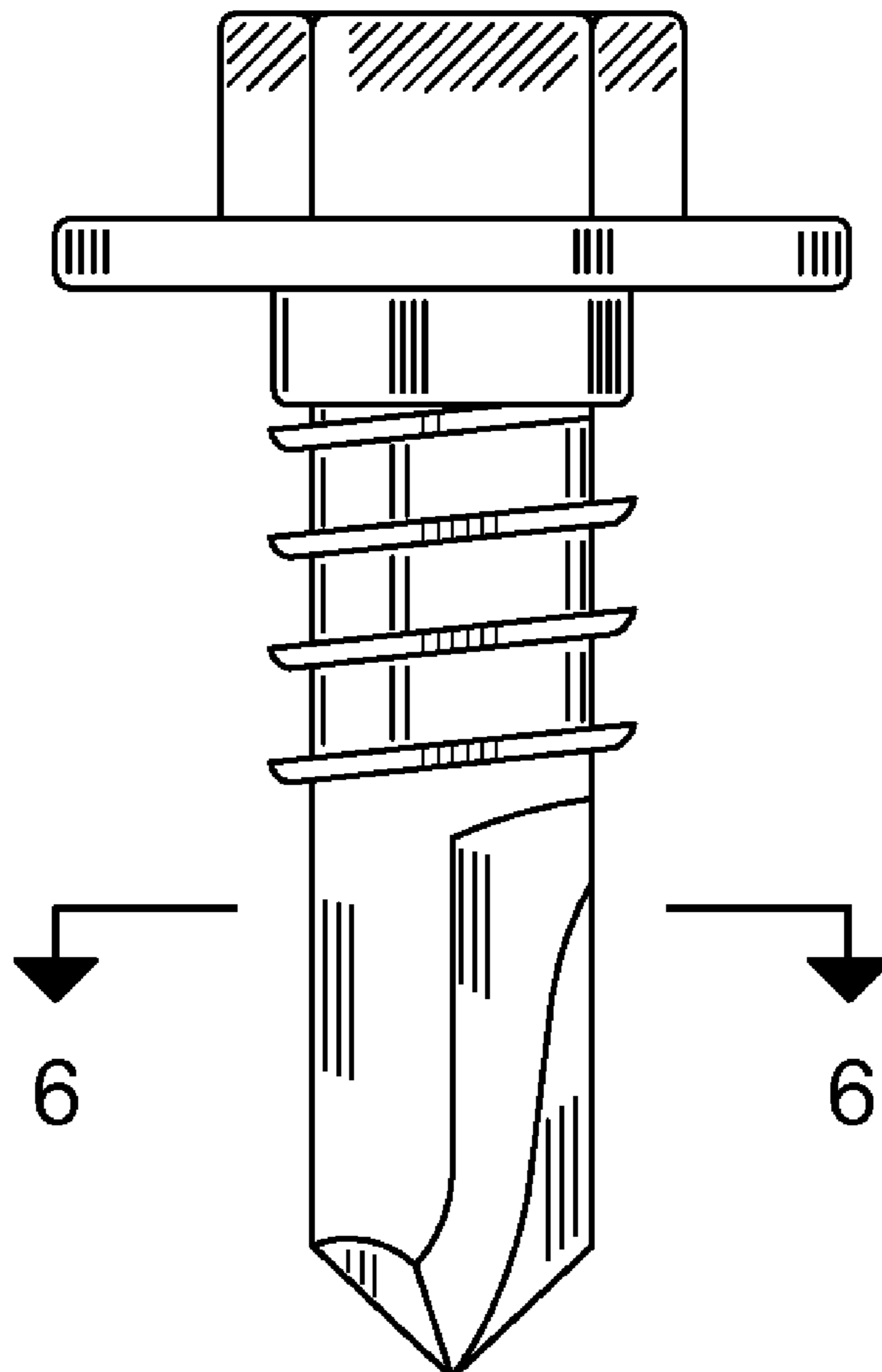
(57) **CLAIM**

What is claimed is the ornamental design for a threaded fastener, as shown and described.

DESCRIPTION

FIG. 1 is a front elevational view of a threaded fastener, showing the new design;
 FIG. 2 is a rear elevational view thereof;
 FIG. 3 is a right-side elevational view thereof;
 FIG. 4 is a left-side elevational view thereof;
 FIG. 5 is a top plan view thereof;
 FIG. 6 is a cross-sectional view thereof, taken generally along lines 6—6 of FIG. 1;
 FIG. 7 is a bottom plan view thereof;
 FIG. 8 is a bottom perspective view thereof; and,
 FIG. 9 is a top perspective view thereof.

1 Claim, 2 Drawing Sheets



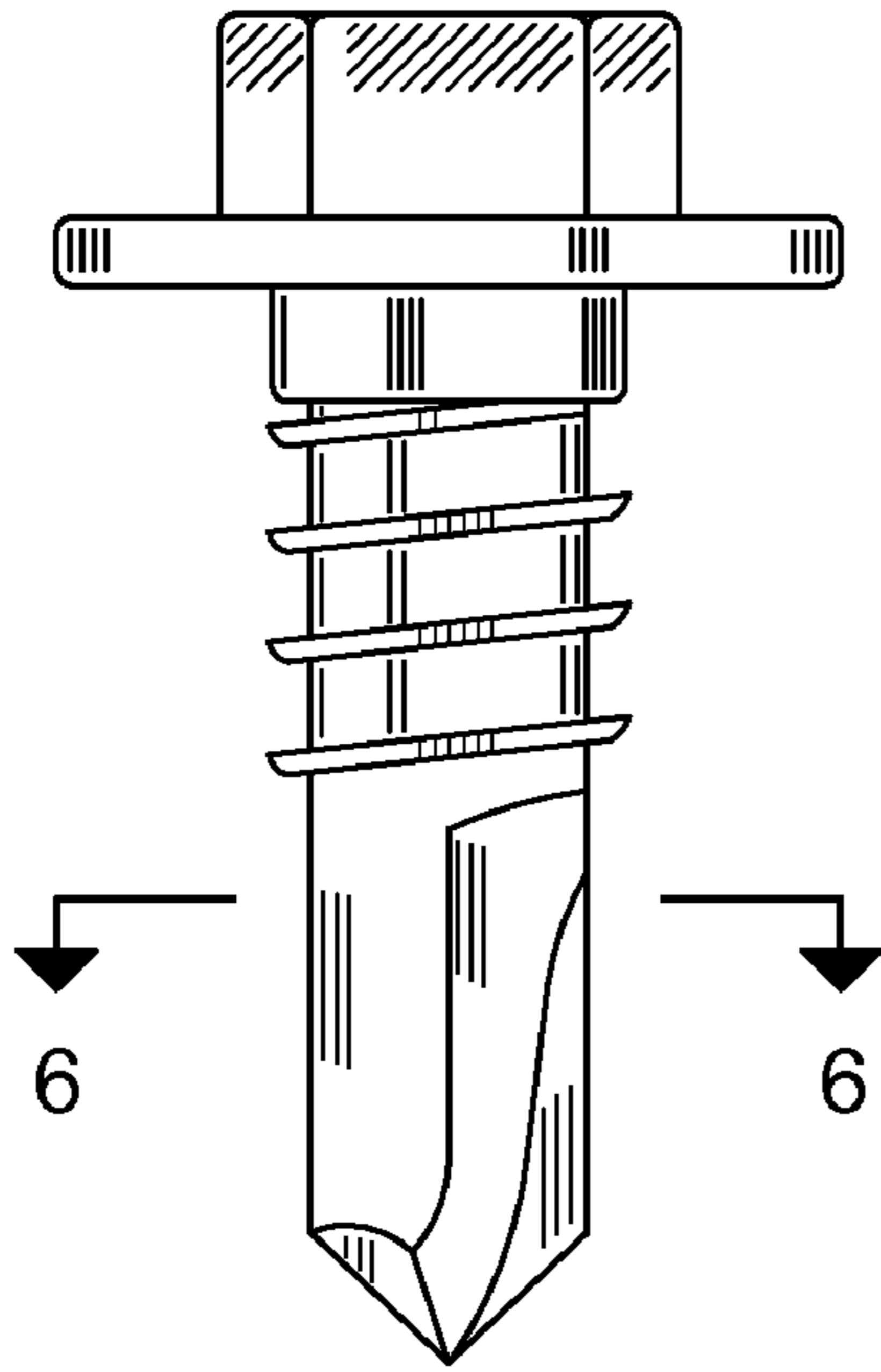


FIG. 1

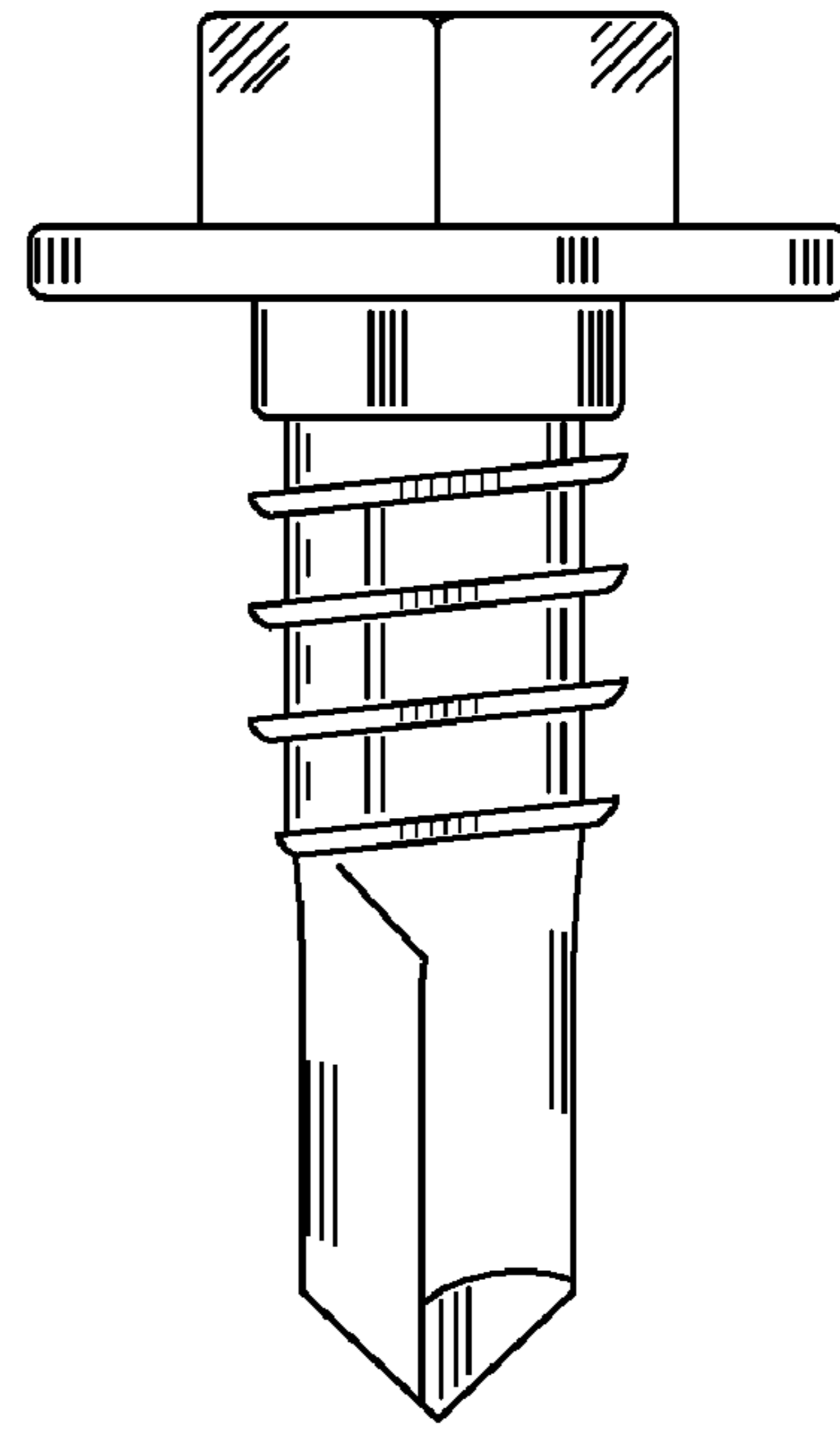


FIG. 2

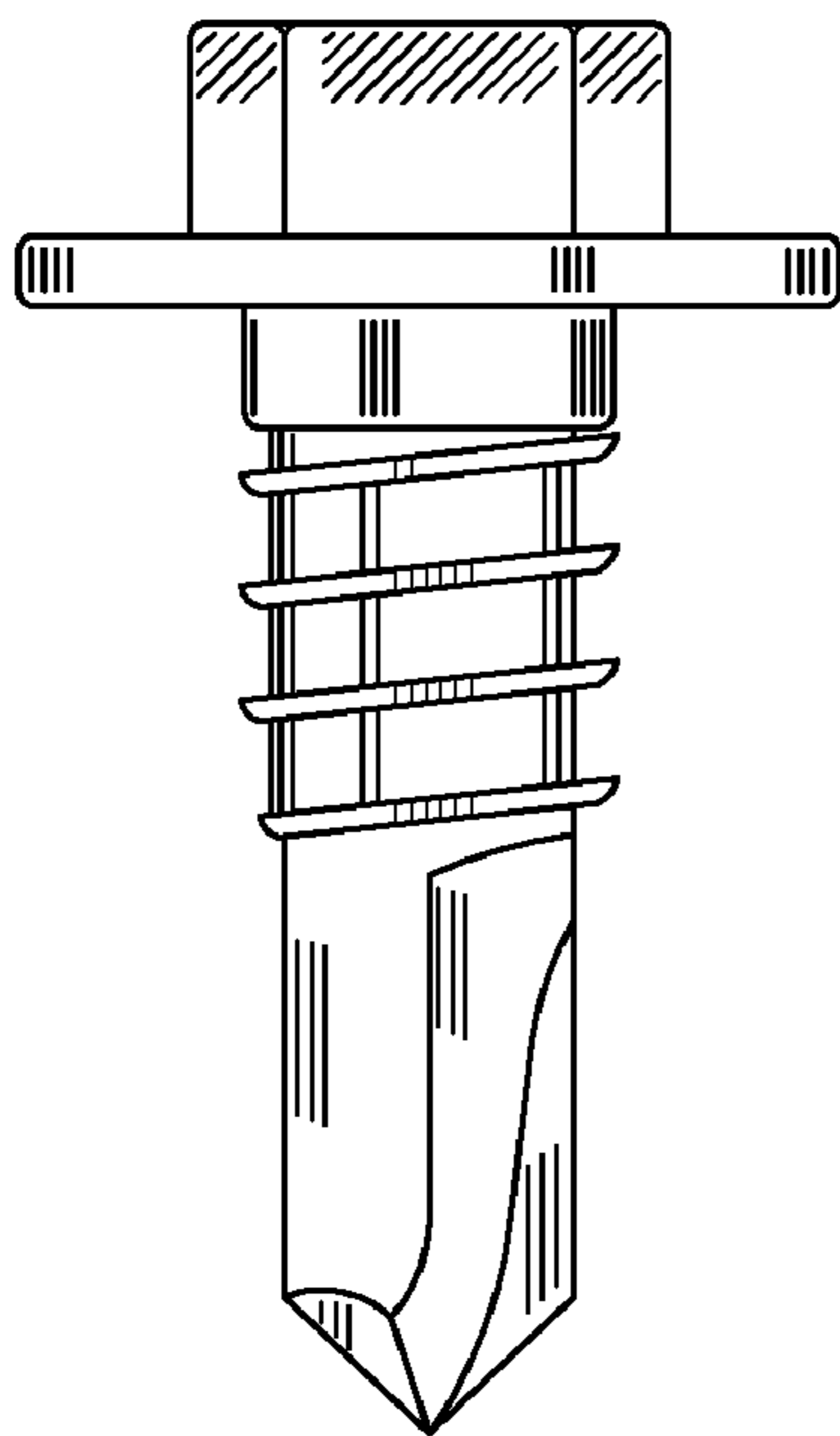


FIG. 3

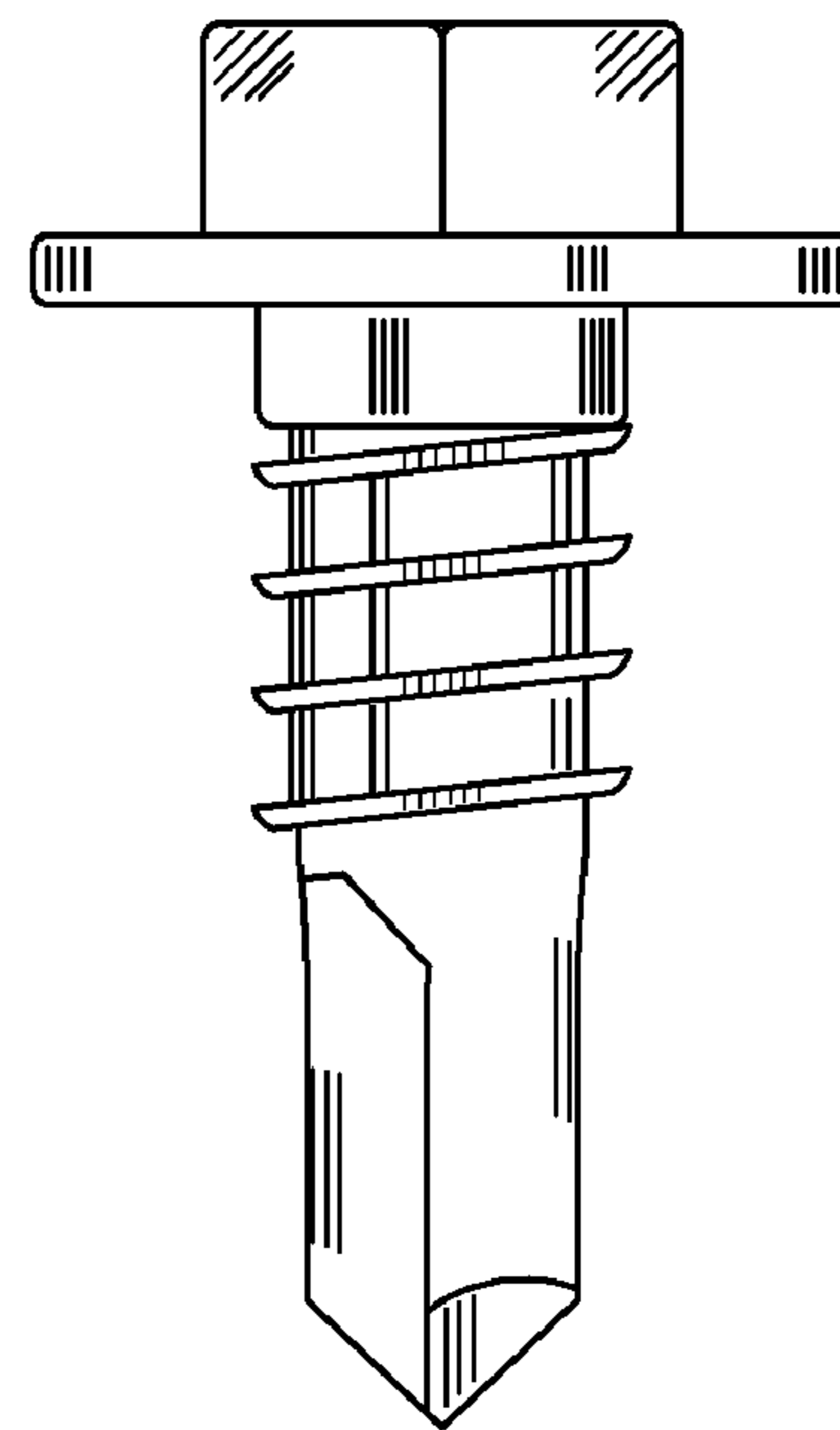


FIG. 4

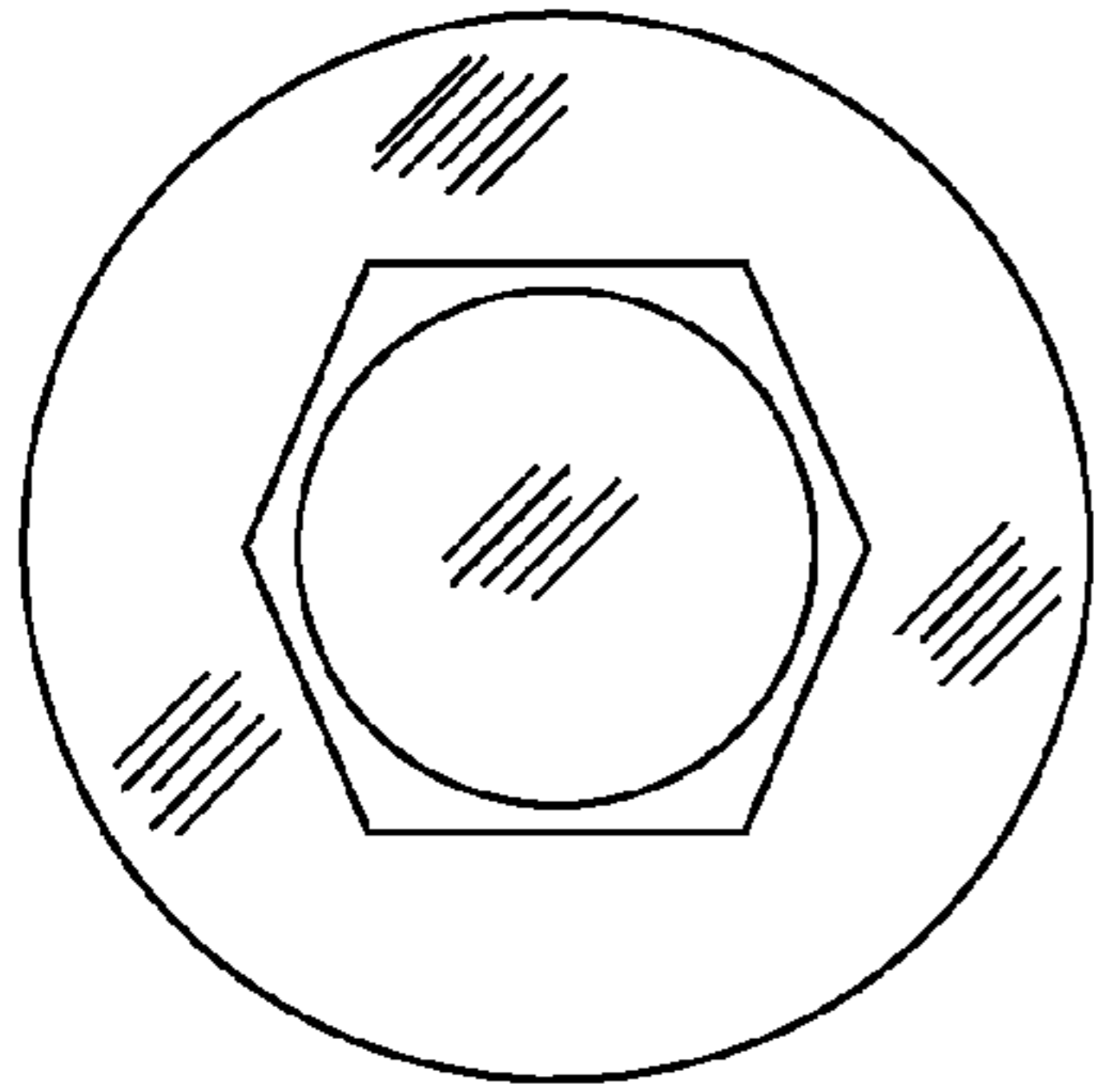


FIG. 5

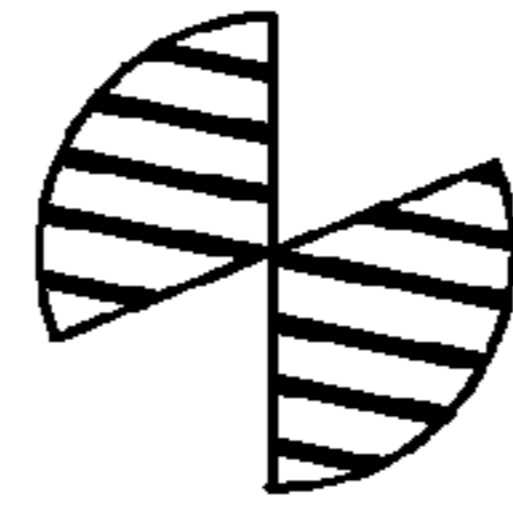


FIG. 6

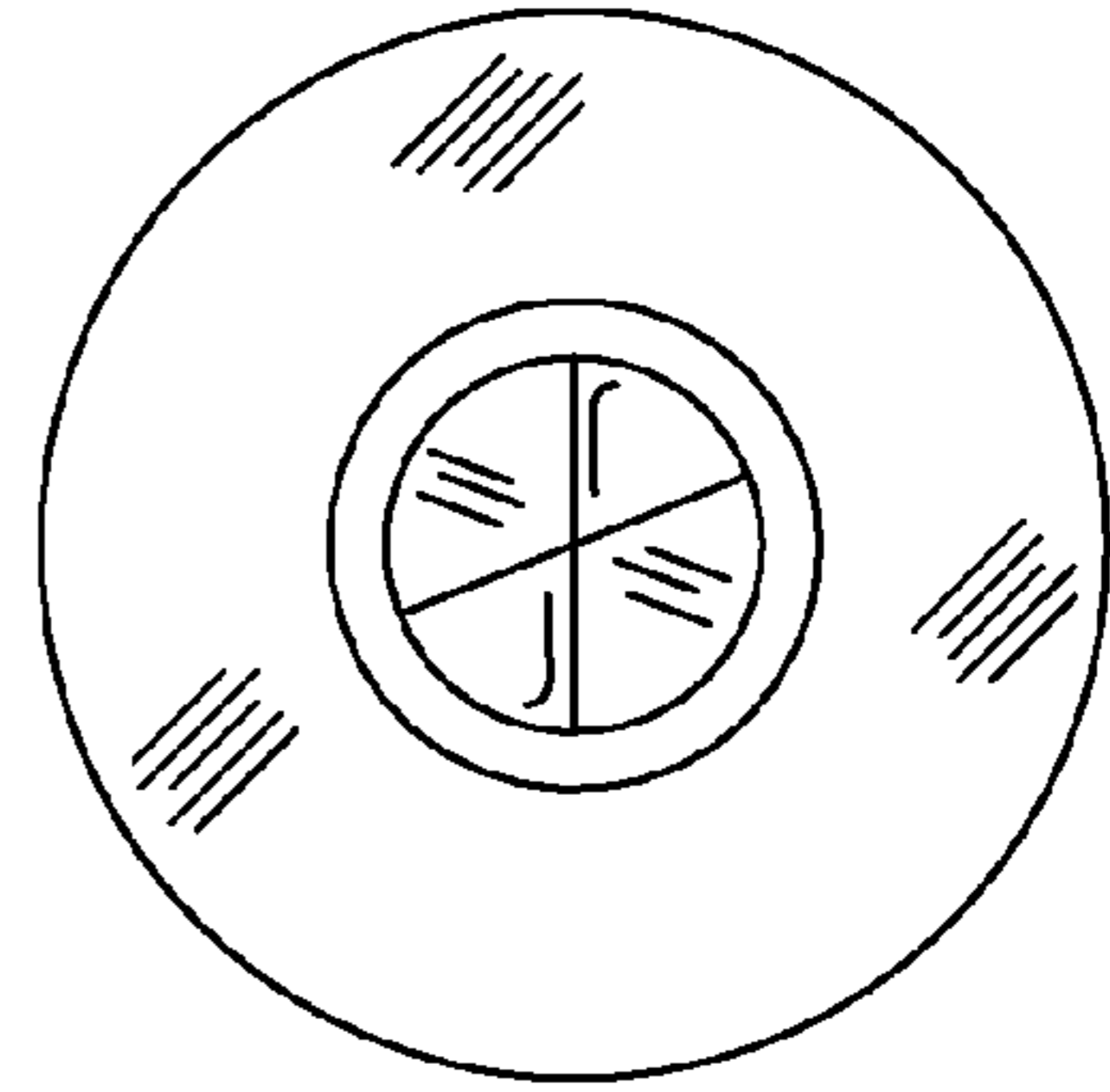


FIG. 7

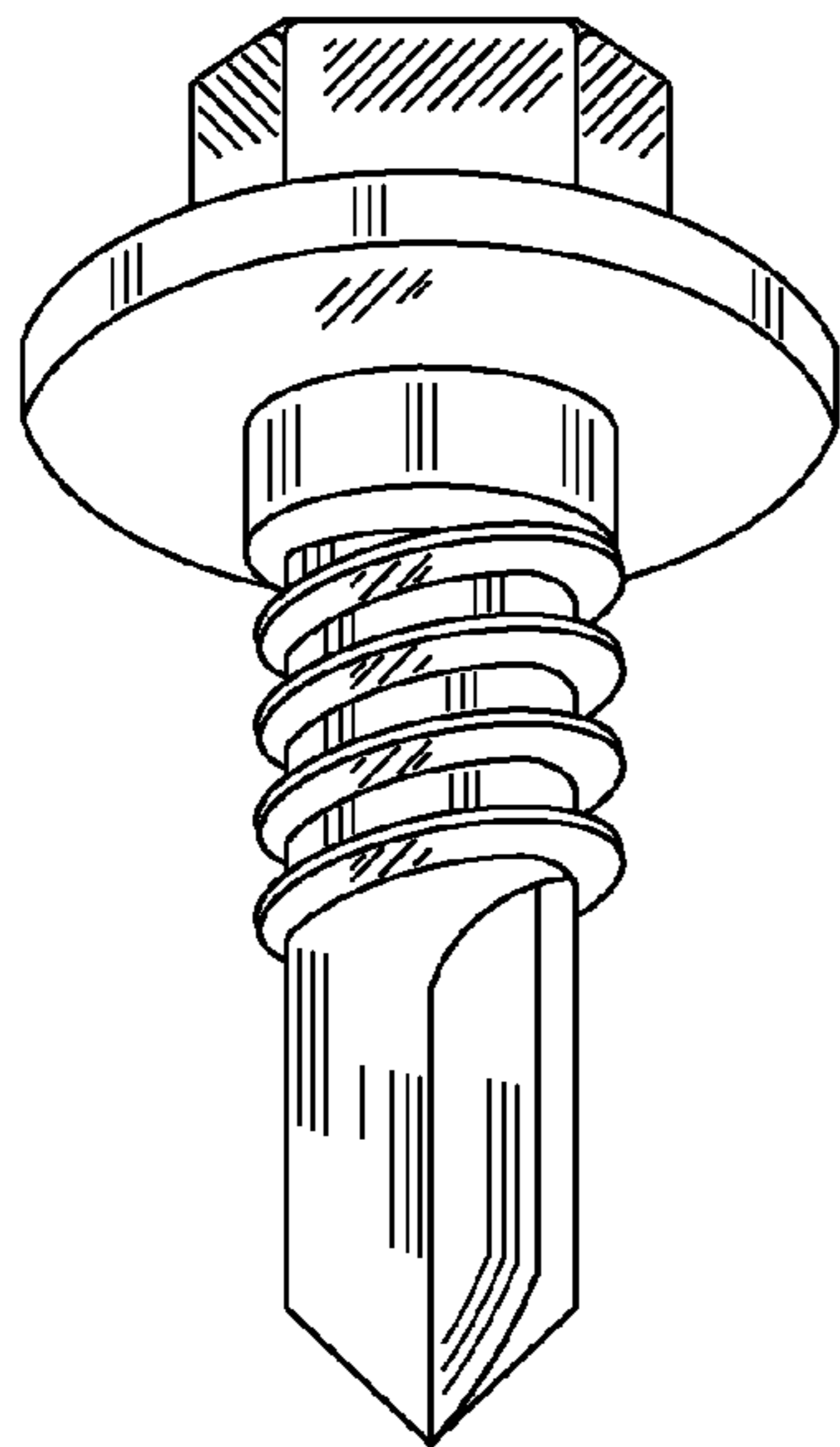


FIG. 8

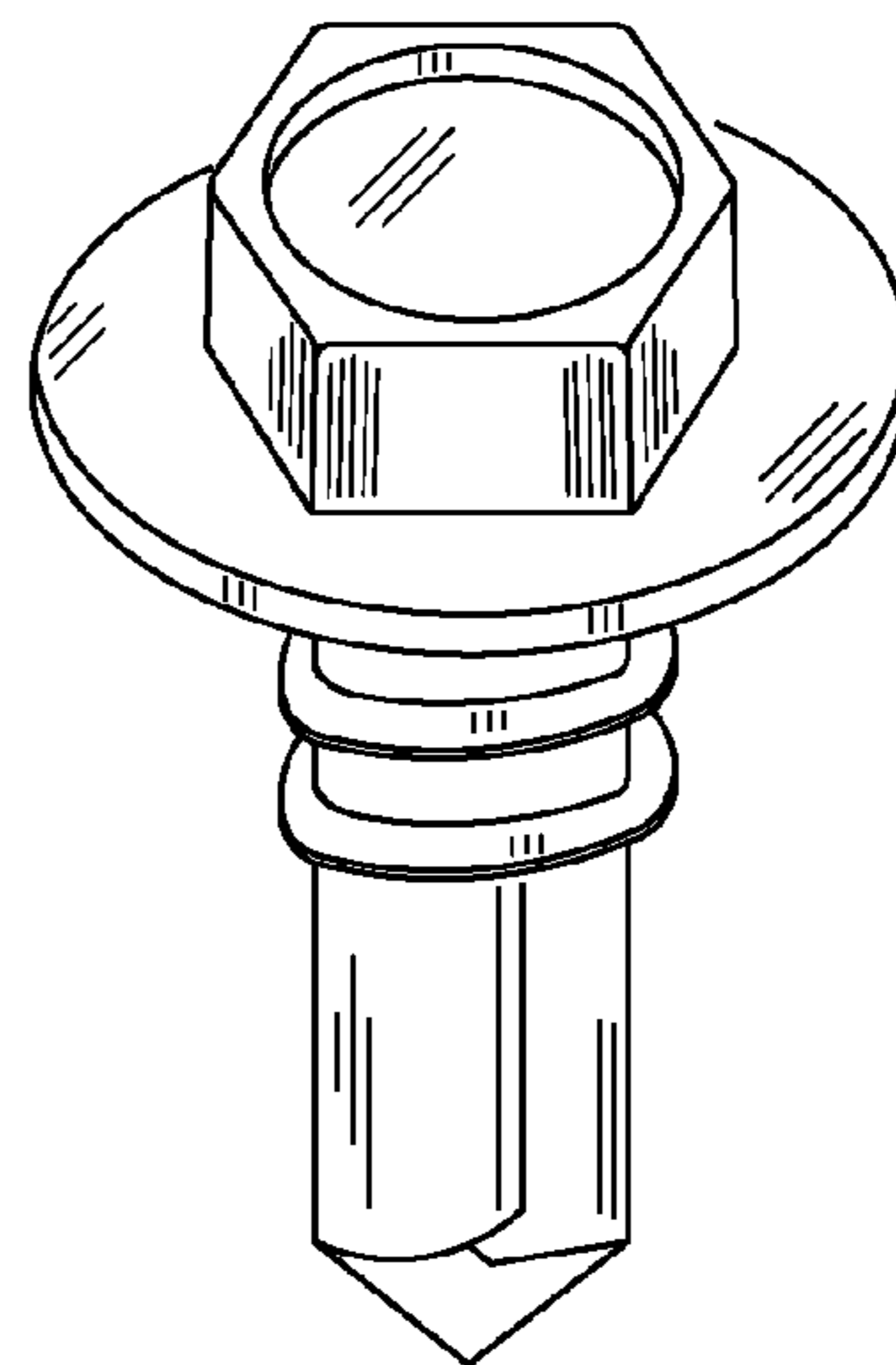


FIG. 9