



US00D643276S

(12) **United States Design Patent**
Roe et al.

(10) **Patent No.:** **US D643,276 S**

(45) **Date of Patent:** **** Aug. 16, 2011**

(54) **CABINET AND/OR DRAWER KNOB**

(75) Inventors: **Megan Roe**, Roswell, GA (US); **Ryan Bishop**, Roswell, GA (US); **Jason Begin**, Roswell, GA (US)

(73) Assignee: **Newell Operating Company**, Atlanta, GA (US)

(**) Term: **14 Years**

(21) Appl. No.: **29/368,224**

(22) Filed: **Aug. 20, 2010**

(51) **LOC (9) Cl.** **08-06**

(52) **U.S. Cl.** **D8/307**

(58) **Field of Classification Search** D8/300,
D8/307, 310, 312, DIG. 2; D7/393, 396,
D7/392.1; D6/512, 524, 550, 578, 580; D23/250,
D23/252; 16/110.1, 412, 414, 417, 441,
16/DIG. 30; 292/336.3, 348, 357
See application file for complete search history.

(56) **References Cited**

U.S. PATENT DOCUMENTS

D47,068 S	3/1915	Burns	
2,679,913 A *	6/1954	Scott	403/273
D213,865 S *	4/1969	Sonnenleiter	D8/307
4,790,208 A *	12/1988	Johnson	74/548
5,255,413 A *	10/1993	Sabo	16/417
D355,837 S	2/1995	Chieda	
D429,991 S *	8/2000	Short	D8/307
D444,028 S *	6/2001	Rae	D7/393
D481,767 S *	11/2003	May et al.	D21/499
D540,142 S *	4/2007	Rexach	D8/307
D542,116 S	5/2007	Ricereto et al.	
D565,925 S *	4/2008	Mattson et al.	D8/307
D570,184 S *	6/2008	Ricereto	D8/307

D579,303 S *	10/2008	Schneider	D8/307
D579,749 S	11/2008	Jou	
D580,252 S	11/2008	Hoernig	
D580,735 S	11/2008	Matijevic	
D580,736 S	11/2008	Matijevic	
D580,737 S	11/2008	Singtoroj	
D584,127 S	1/2009	Matijevic	
D587,556 S	3/2009	Marks	
D589,776 S	4/2009	Camp	
D592,483 S	5/2009	Ricereto	
D592,484 S	5/2009	Ricereto	
D600,997 S	9/2009	McConnell	
D602,334 S	10/2009	Hanes	
D602,335 S	10/2009	Hanes	
D604,586 S	11/2009	Rauk et al.	
D606,381 S *	12/2009	Menzies	D8/307
D621,238 S	8/2010	Rauk et al.	

* cited by examiner

Primary Examiner — Paula Greene

(74) *Attorney, Agent, or Firm* — Taft Stettinius & Hollister LLP

(57) **CLAIM**

We claim the ornamental design for a cabinet and/or drawer knob, as shown and described.

DESCRIPTION

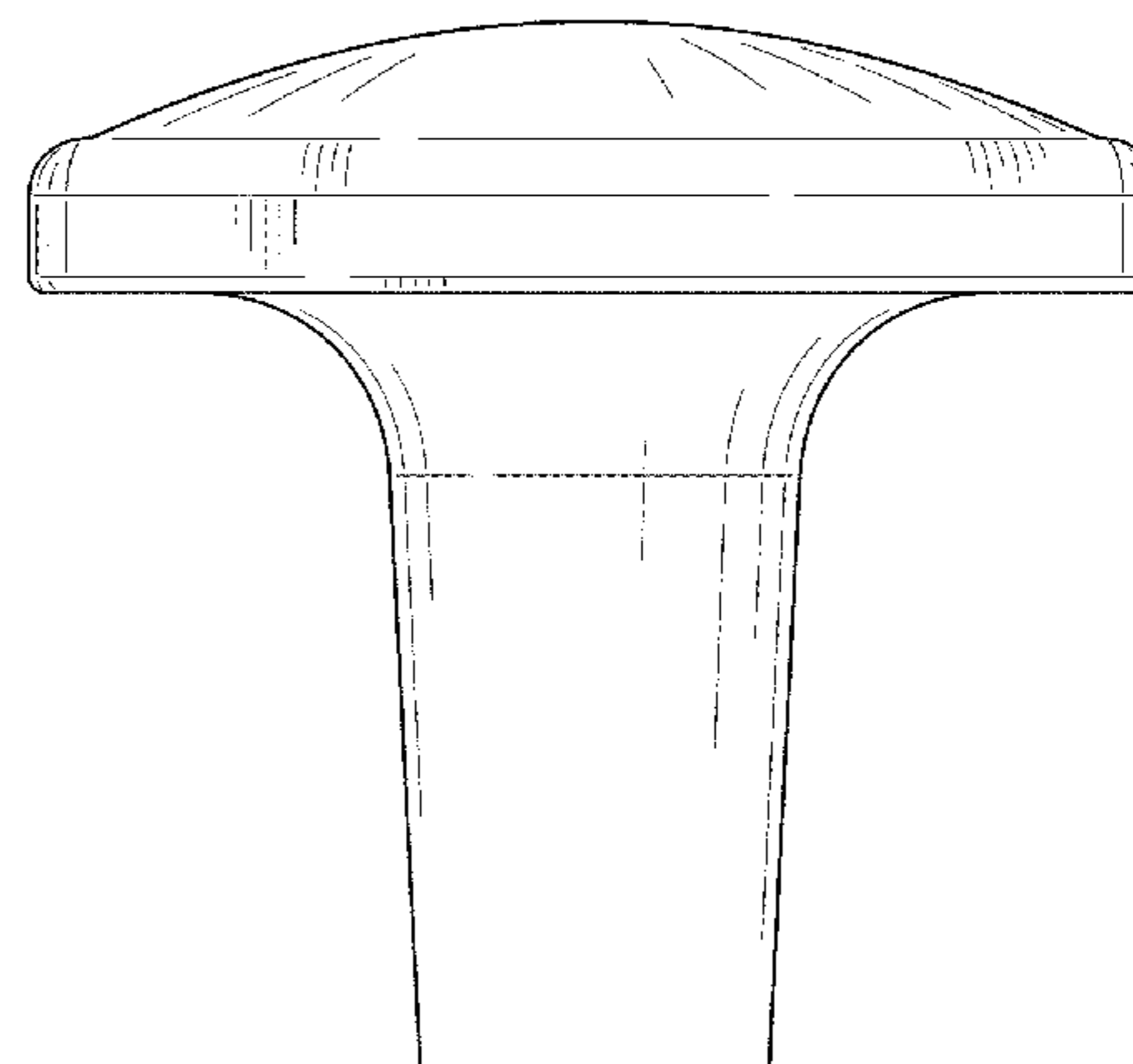
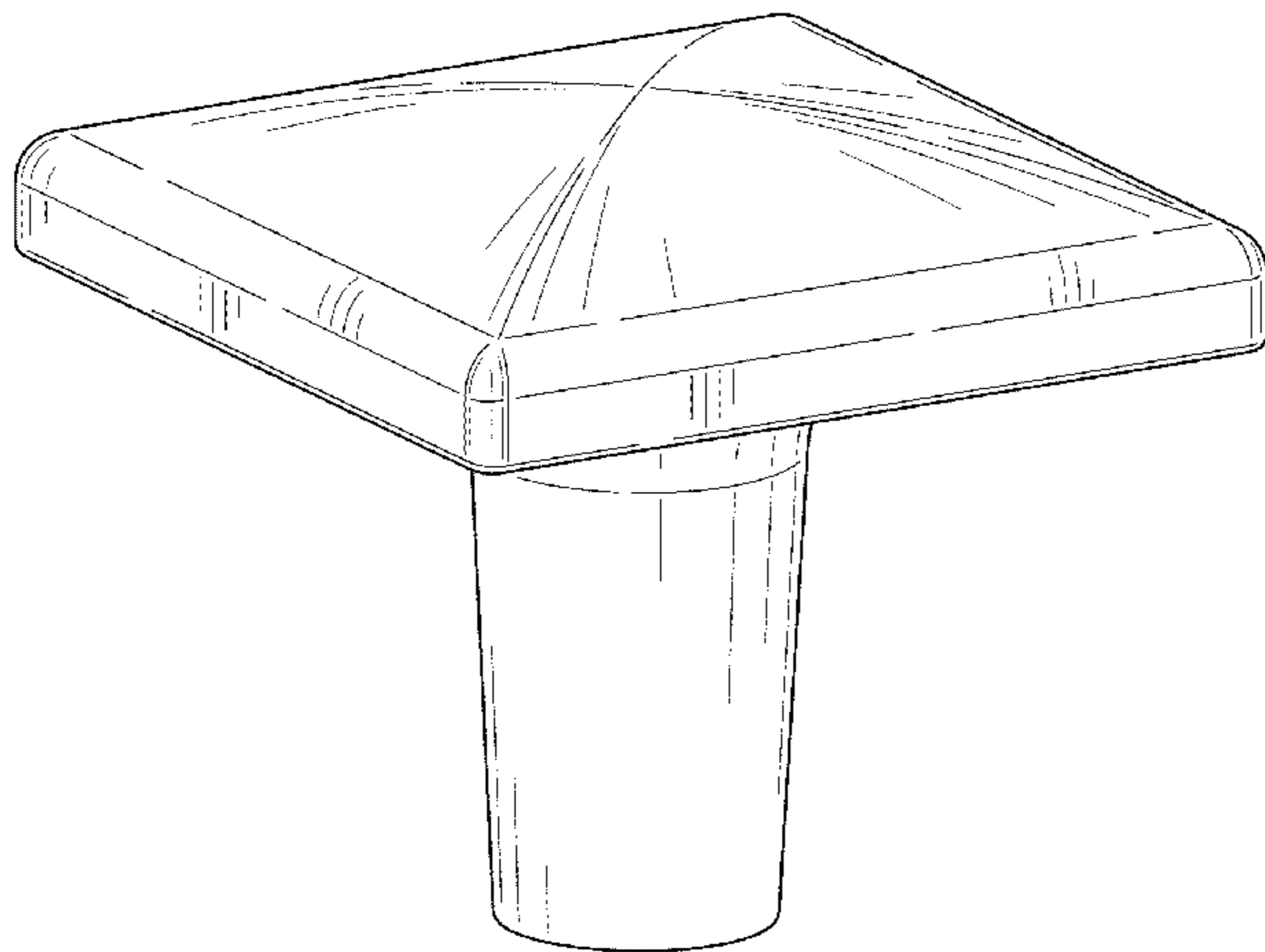
FIG. 1 is a perspective view of a cabinet and/or drawer knob showing our new design;

FIG. 2 is a side elevation view of the cabinet and/or drawer knob shown in FIG. 1, the other side elevation views being identical thereto;

FIG. 3 is a top plan view of the cabinet and/or drawer knob shown in FIG. 1; and,

FIG. 4 is a bottom plan view of the cabinet and/or drawer knob shown in FIG. 1.

1 Claim, 2 Drawing Sheets



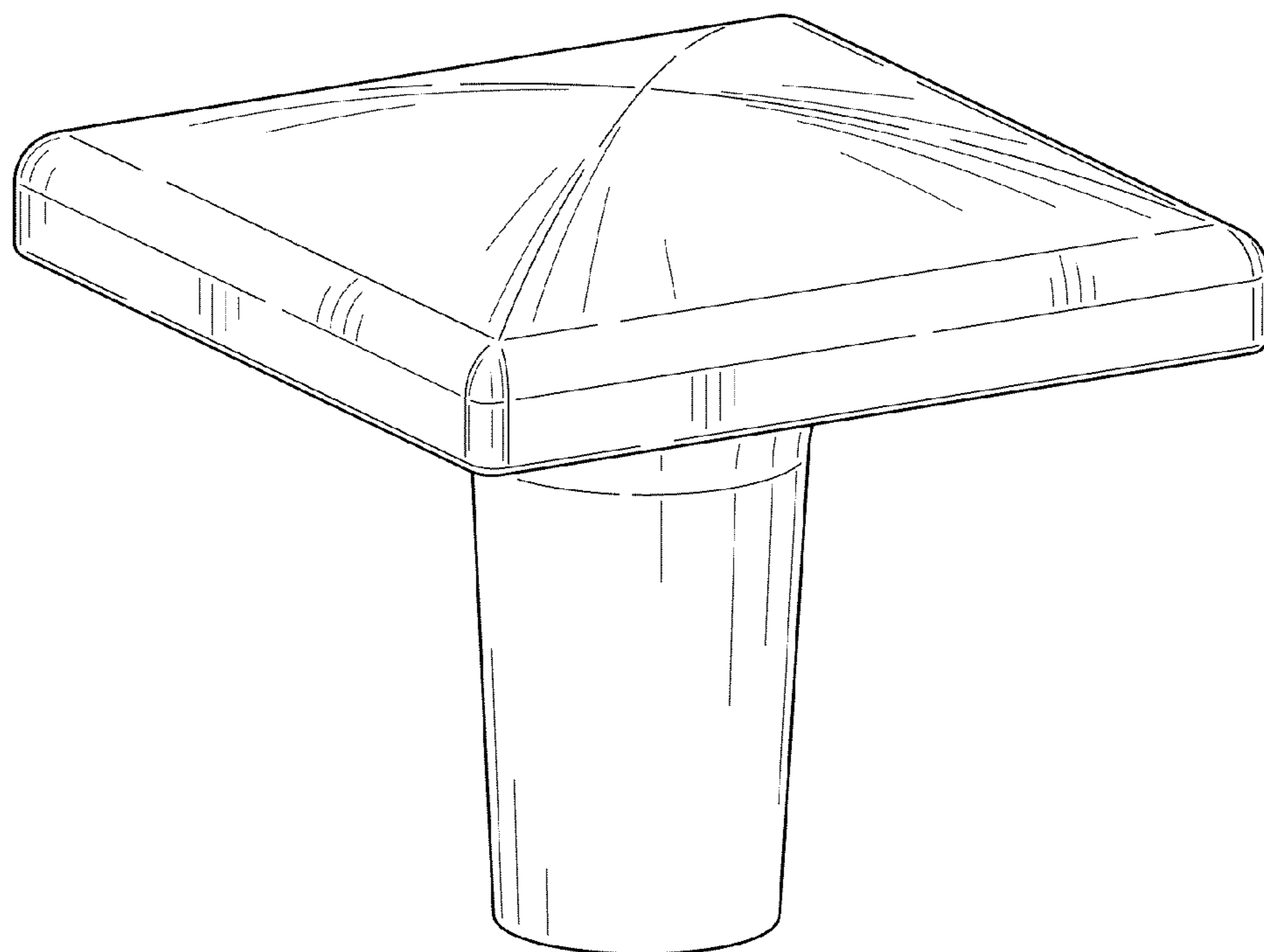


FIG. 1

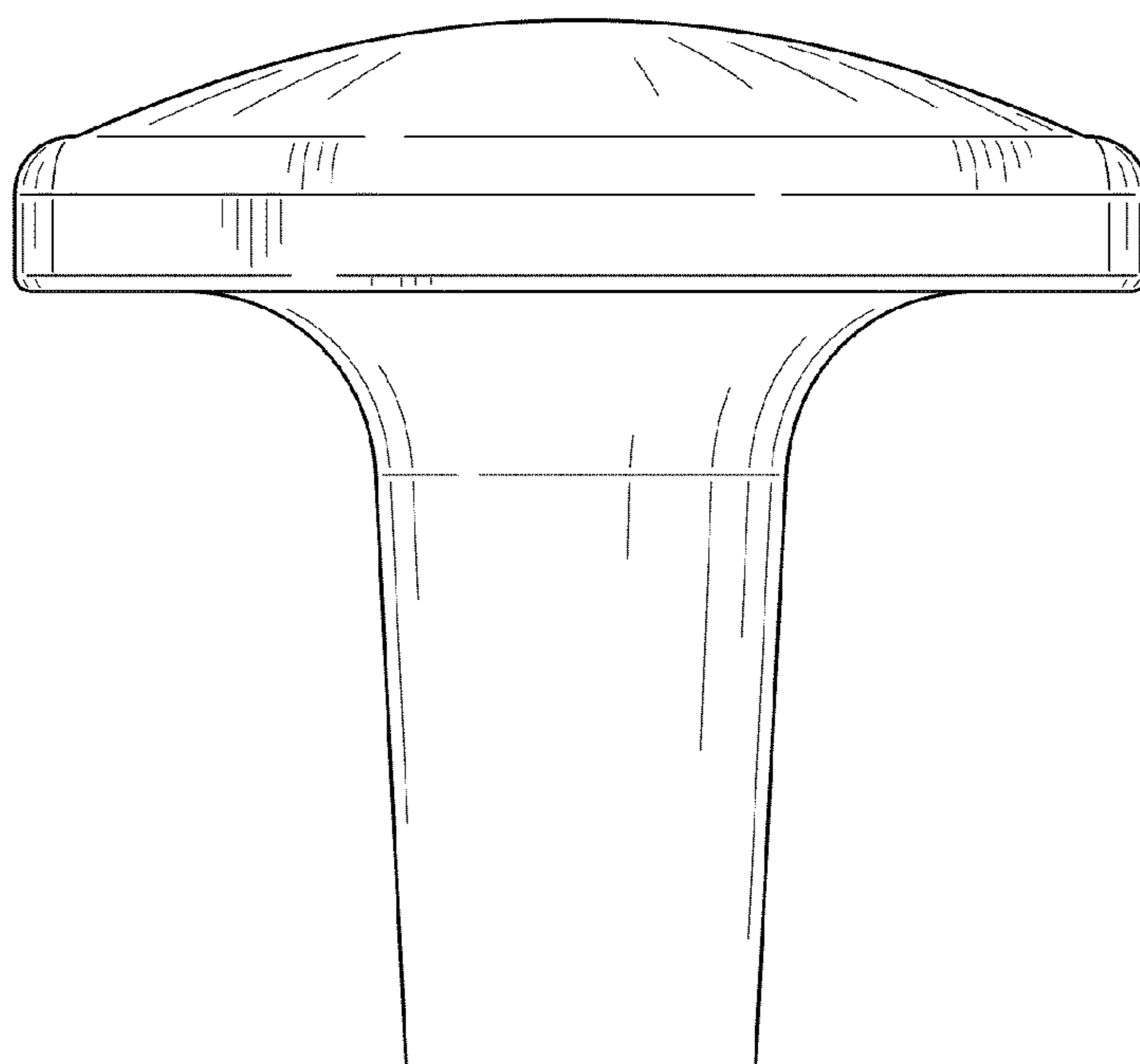


FIG. 2

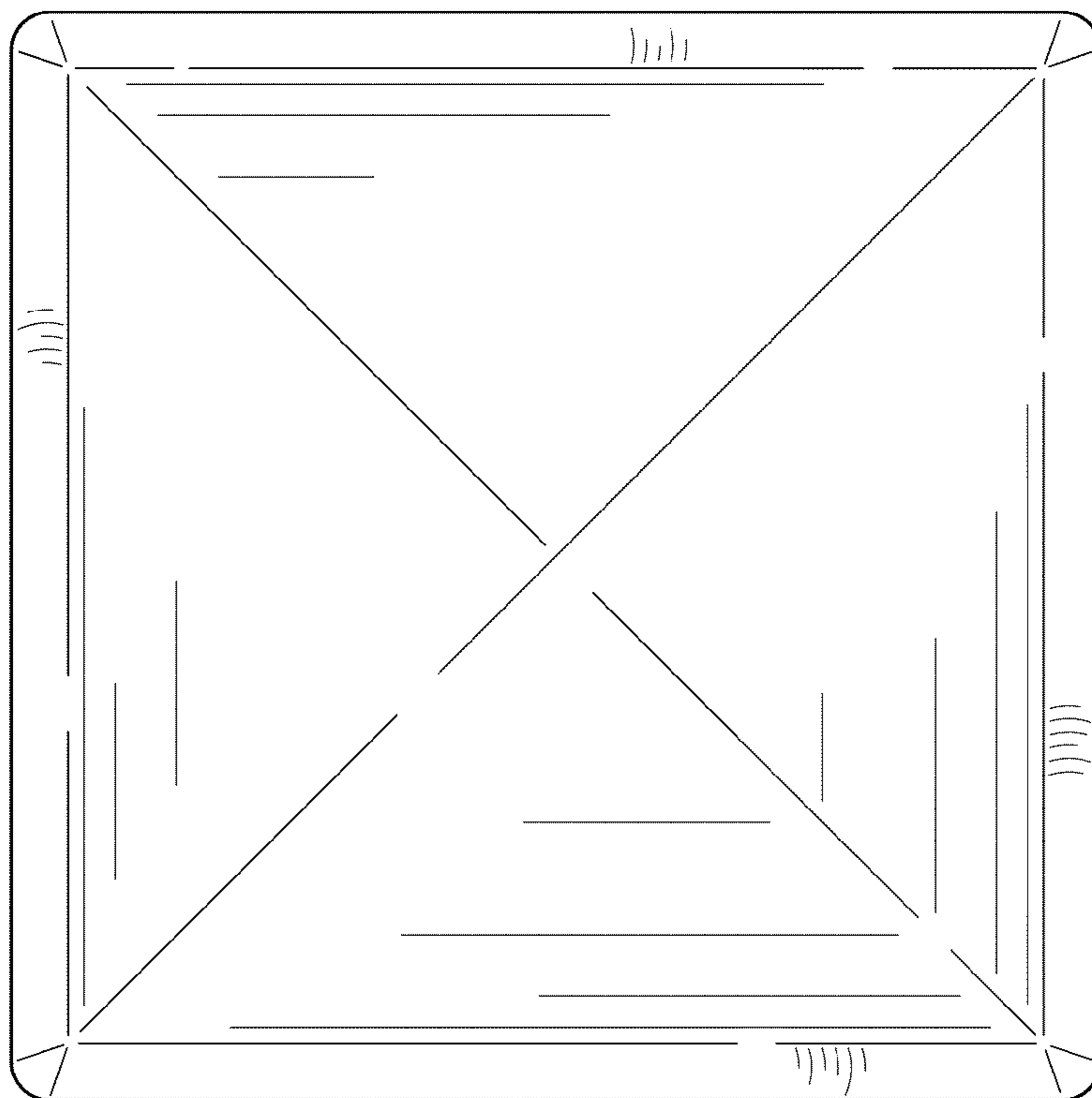


FIG. 3

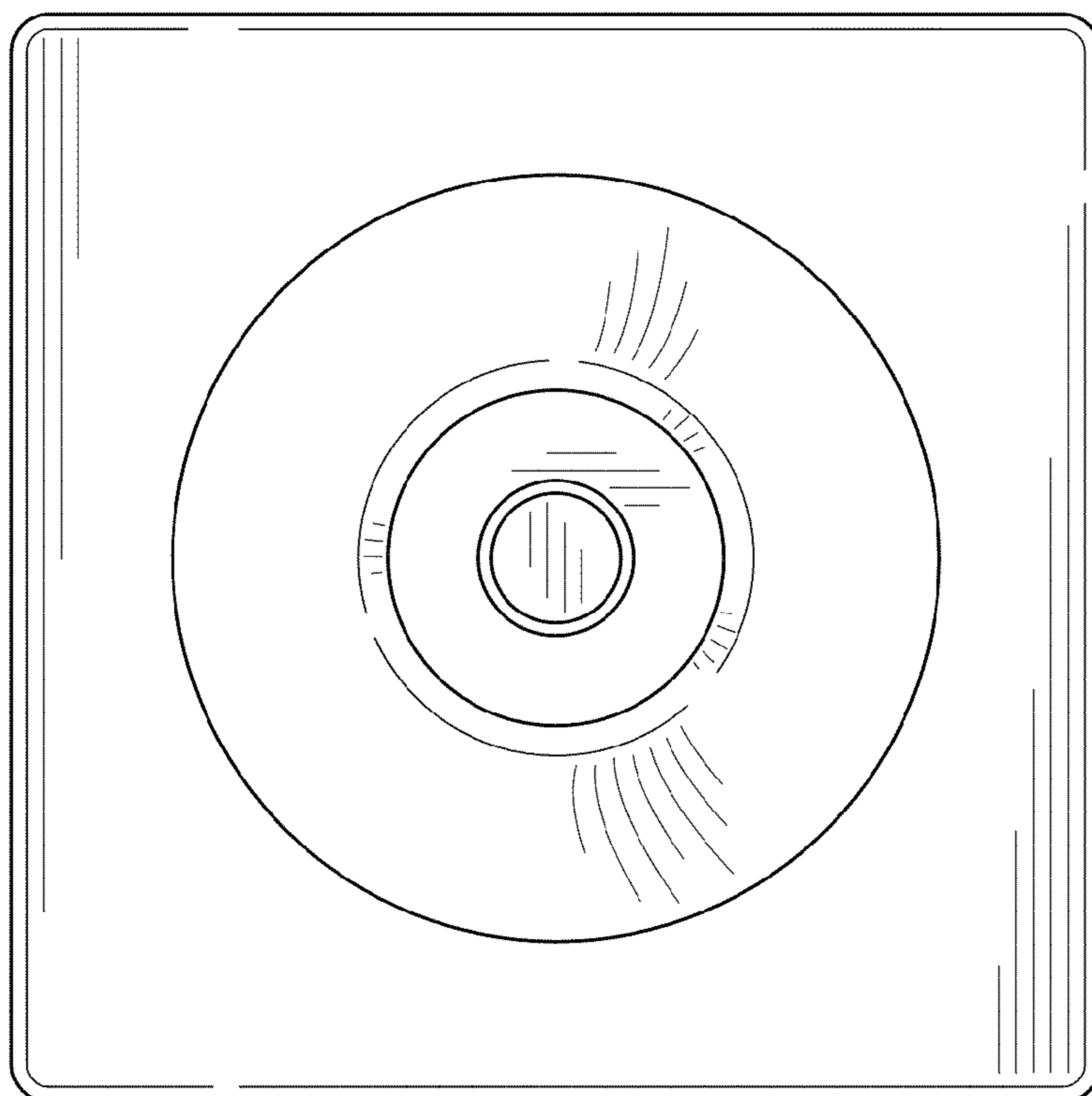


FIG. 4