



US00D643275S

(12) **United States Design Patent**  
**Wang**

(10) **Patent No.:** **US D643,275 S**

(45) **Date of Patent:** **\*\* Aug. 16, 2011**

(54) **TOOL HANDLE**

(76) Inventor: **Chien-Kuo Wang**, Taipei (TW)

(\*\*) Term: **14 Years**

(21) Appl. No.: **29/368,999**

(22) Filed: **Sep. 1, 2010**

(51) **LOC (9) Cl.** ..... **08-05**

(52) **U.S. Cl.** ..... **D8/107**

(58) **Field of Classification Search** ..... D8/107,  
D8/10, 14, 69, 51, 80, 82, 83, 97; 16/110.1,  
16/422, 429; 294/49, 54.5, 55, 53.5; 15/257.7;  
D21/757; 403/244, 274

See application file for complete search history.

(56) **References Cited**

**U.S. PATENT DOCUMENTS**

2,518,432	A *	8/1950	Wotring	.....	294/49
2,610,354	A *	9/1952	Howell	.....	16/422
3,130,443	A *	4/1964	Tonelli	.....	16/110.1
D260,359	S *	8/1981	Smith	.....	D8/107
5,220,707	A *	6/1993	Newman et al.	.....	16/429
D426,436	S *	6/2000	Ng	.....	D8/10

D517,889	S *	3/2006	Hsieh	.....	D8/83
D618,980	S *	7/2010	Wang	.....	D8/107
D627,206	S *	11/2010	Delaney et al.	.....	D8/107
D633,362	S *	3/2011	Ayala	.....	D8/107
D633,770	S *	3/2011	Wang	.....	D8/83

\* cited by examiner

*Primary Examiner* — Paula Greene

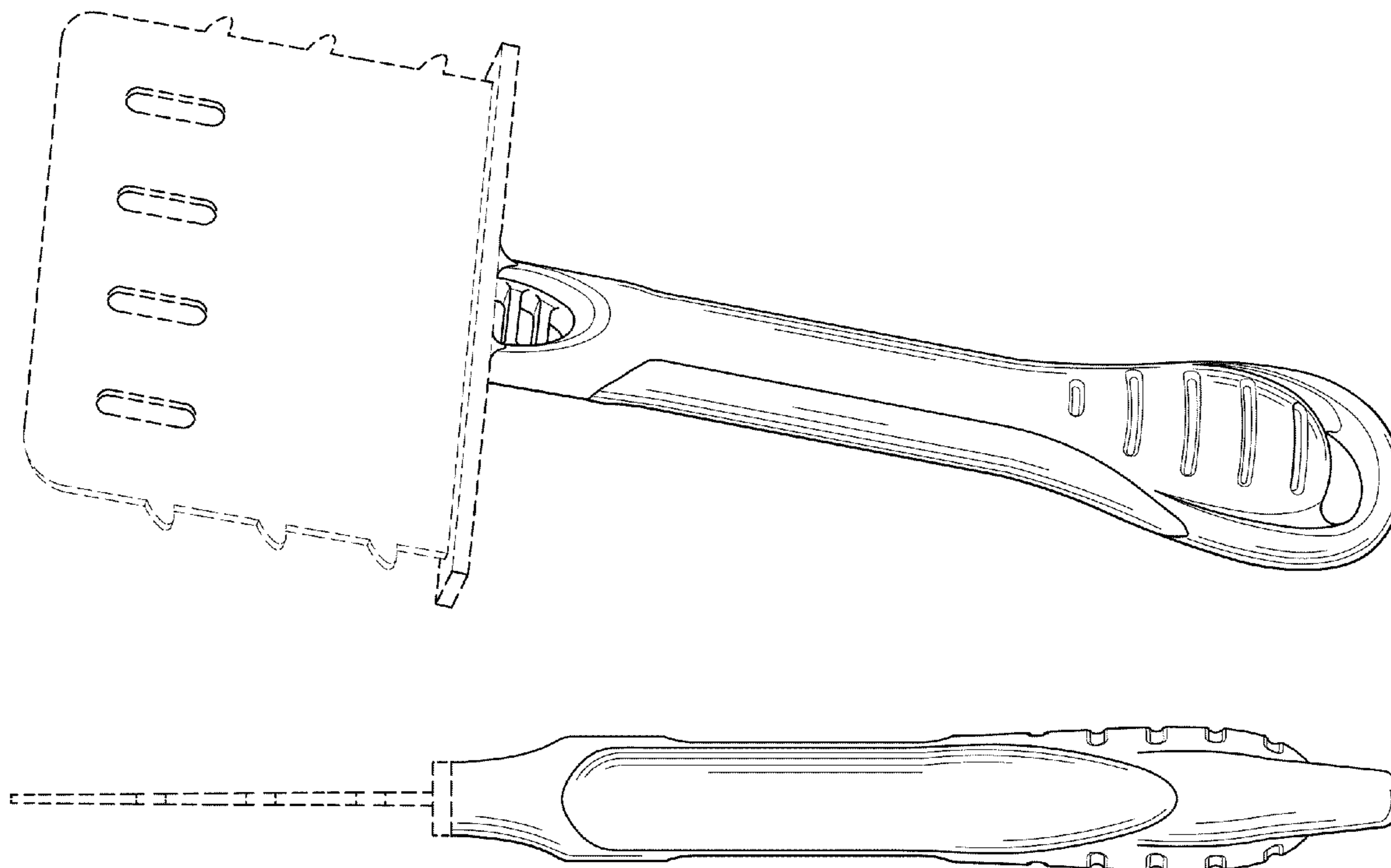
(57) **CLAIM**

The ornamental design for a tool handle, as shown and described.

**DESCRIPTION**

FIG. 1 is a perspective view of a tool handle showing my new design;  
FIG. 2 is a front elevational view thereof;  
FIG. 3 is a rear elevational view thereof;  
FIG. 4 is a left side view thereof;  
FIG. 5 is a right side view thereof;  
FIG. 6 is a top plan view thereof; and,  
FIG. 7 is a bottom plan view thereof.  
The broken line showing is for environmental purposes only and forms no part of the claimed design.

**1 Claim, 5 Drawing Sheets**



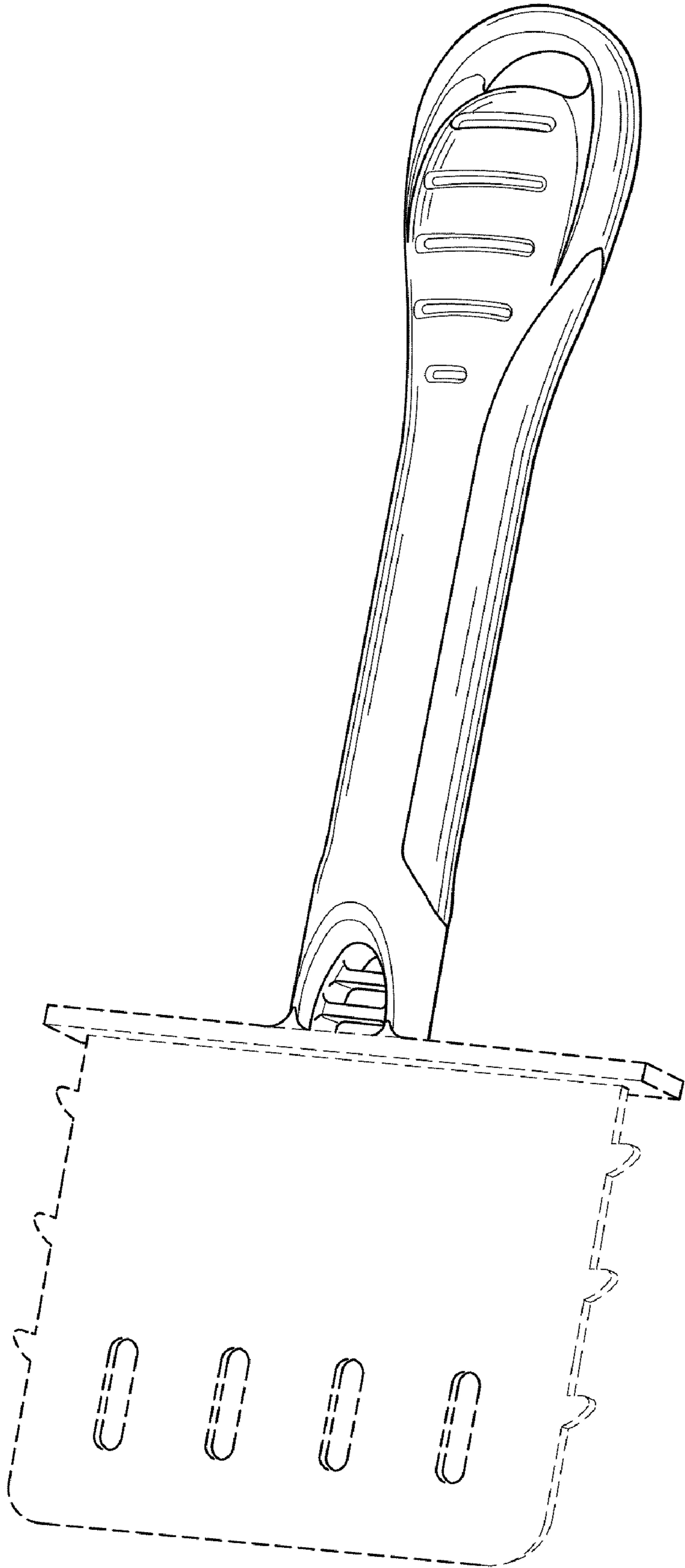


FIG. 1

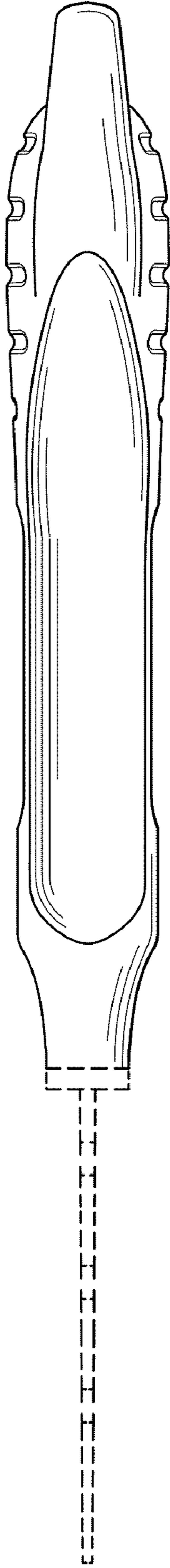


FIG. 2

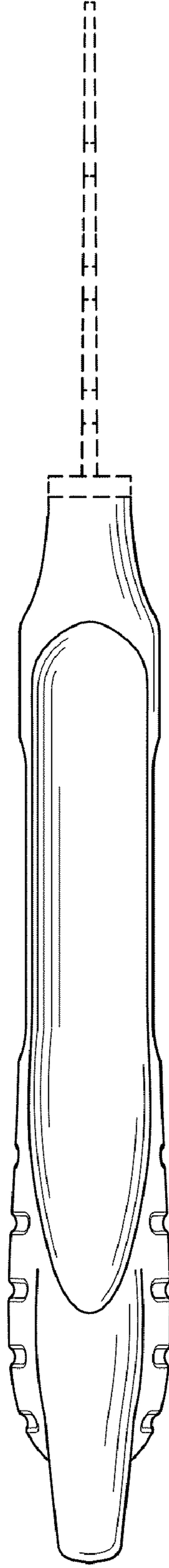


FIG. 3

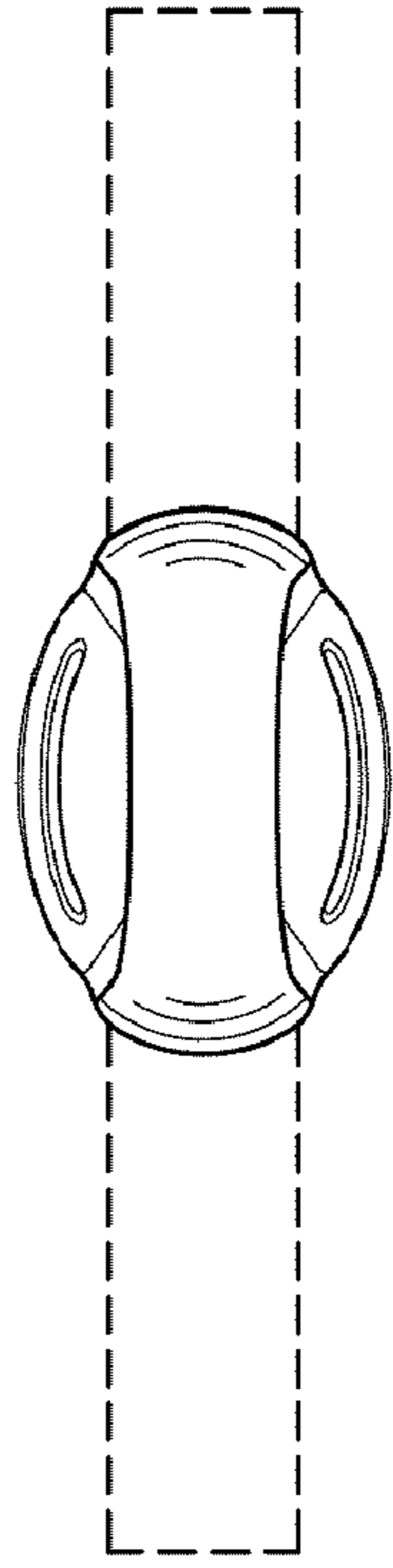


FIG. 5

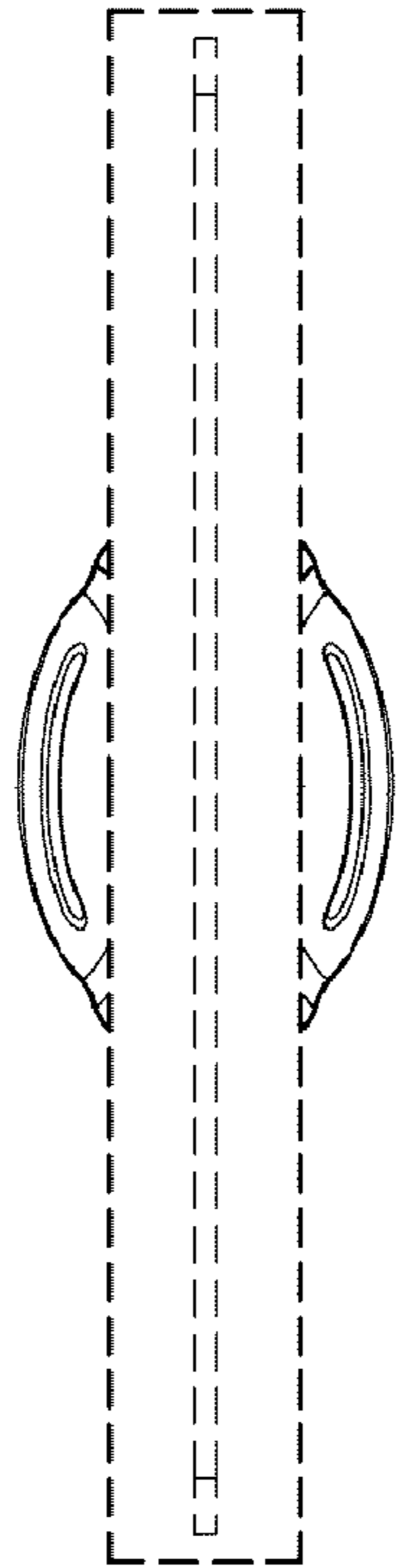


FIG. 4

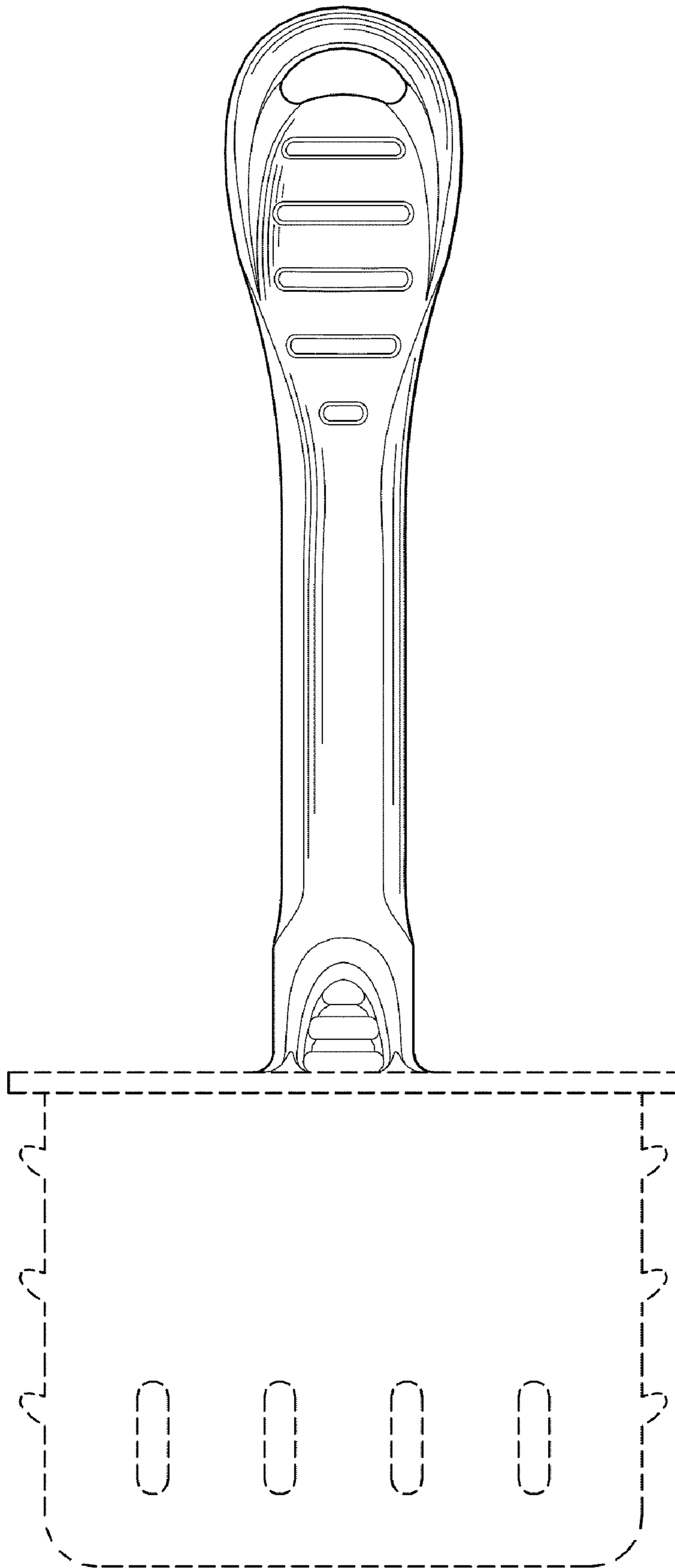


FIG. 6

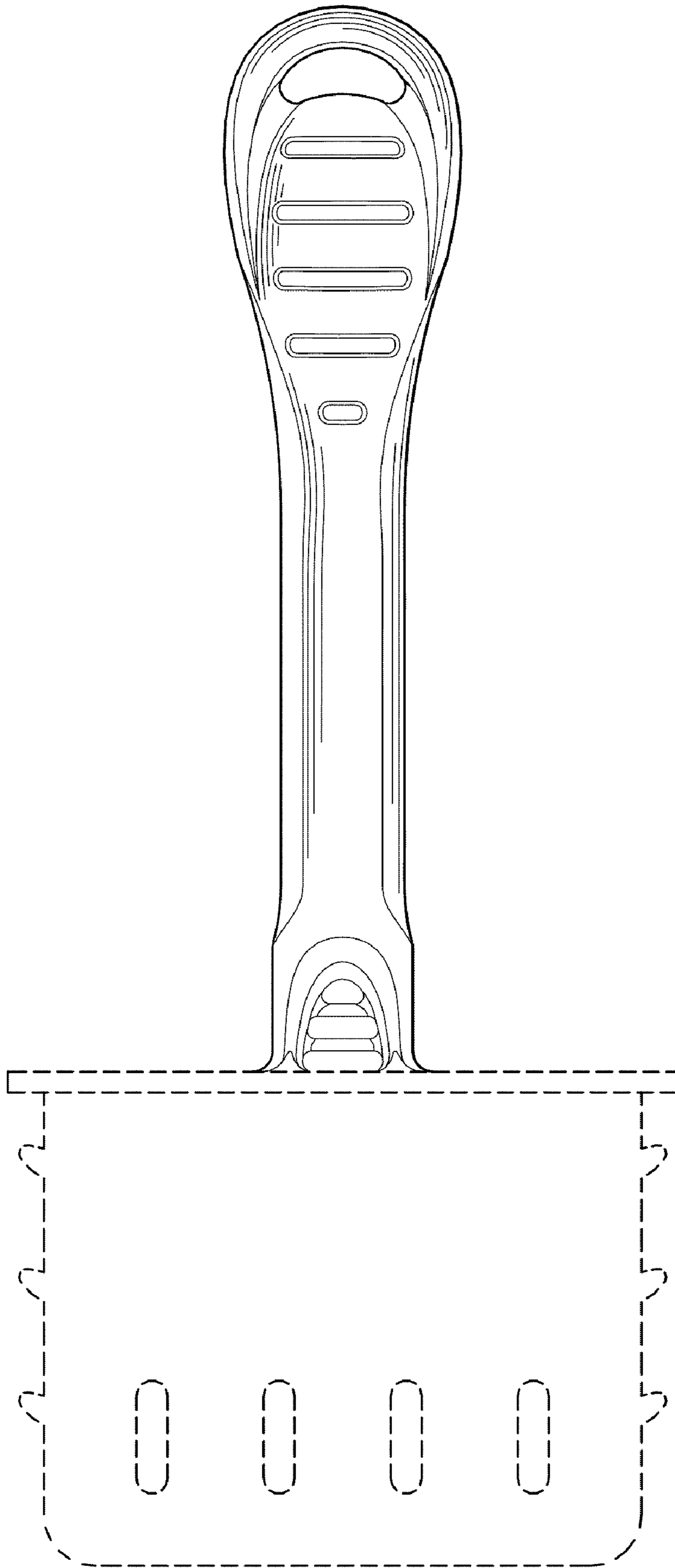


FIG. 7