



US00D643271S

(12) **United States Design Patent**
Okuda et al.

(10) **Patent No.:** **US D643,271 S**

(45) **Date of Patent:** **** Aug. 16, 2011**

(54) **ASSEMBLY BASE FOR PORTABLE
ELECTRONIC ROUTER**

(75) Inventors: **Shinsuke Okuda**, Anjo (JP); **Kazuya
Kato**, Anjo (JP)

(73) Assignee: **Makita Corporation**, Anjo-shi (JP)

(**) Term: **14 Years**

(21) Appl. No.: **29/378,415**

(22) Filed: **Nov. 4, 2010**

(30) **Foreign Application Priority Data**

May 6, 2010 (JP) 2010-011018

(51) **LOC (9) Cl.** **08-05**

(52) **U.S. Cl.** **D8/70**

(58) **Field of Classification Search** D8/67,
D8/70, 71; D15/140; 33/32.2, 201; 83/100;
144/135.2, 252.1, 286.1, 286.5, 136.95, 154.5,
144/83; 408/67, 68; 409/137, 182; 451/453,
451/456

See application file for complete search history.

(56) **References Cited**

U.S. PATENT DOCUMENTS

6,679,658 B2 * 1/2004 Landt 409/182
6,752,572 B2 * 6/2004 Talesky et al. 409/179
D511,079 S * 11/2005 Ozawa et al. D8/67

7,344,433 B2 * 3/2008 Wilson 451/41
7,473,058 B2 * 1/2009 Zhu 409/182
D587,977 S * 3/2009 Waldron D8/67
D588,428 S * 3/2009 Etter et al. D8/67
7,552,749 B2 * 6/2009 Kageler et al. 144/136.95
D601,396 S * 10/2009 Yamamoto D8/67

FOREIGN PATENT DOCUMENTS

JP S-D1067831 4/2000
JP S-D1158190 11/2002

* cited by examiner

Primary Examiner — Antoine D Davis

(74) *Attorney, Agent, or Firm* — Oliff & Berridge, PLC

(57) **CLAIM**

The ornamental design for an assembly base for portable electronic router, as shown and described,

DESCRIPTION

FIG. 1 is a perspective view of an assembly base for portable electronic router;

FIG. 2 is a front view thereof;

FIG. 3 is a top view thereof;

FIG. 4 is a right-side view thereof;

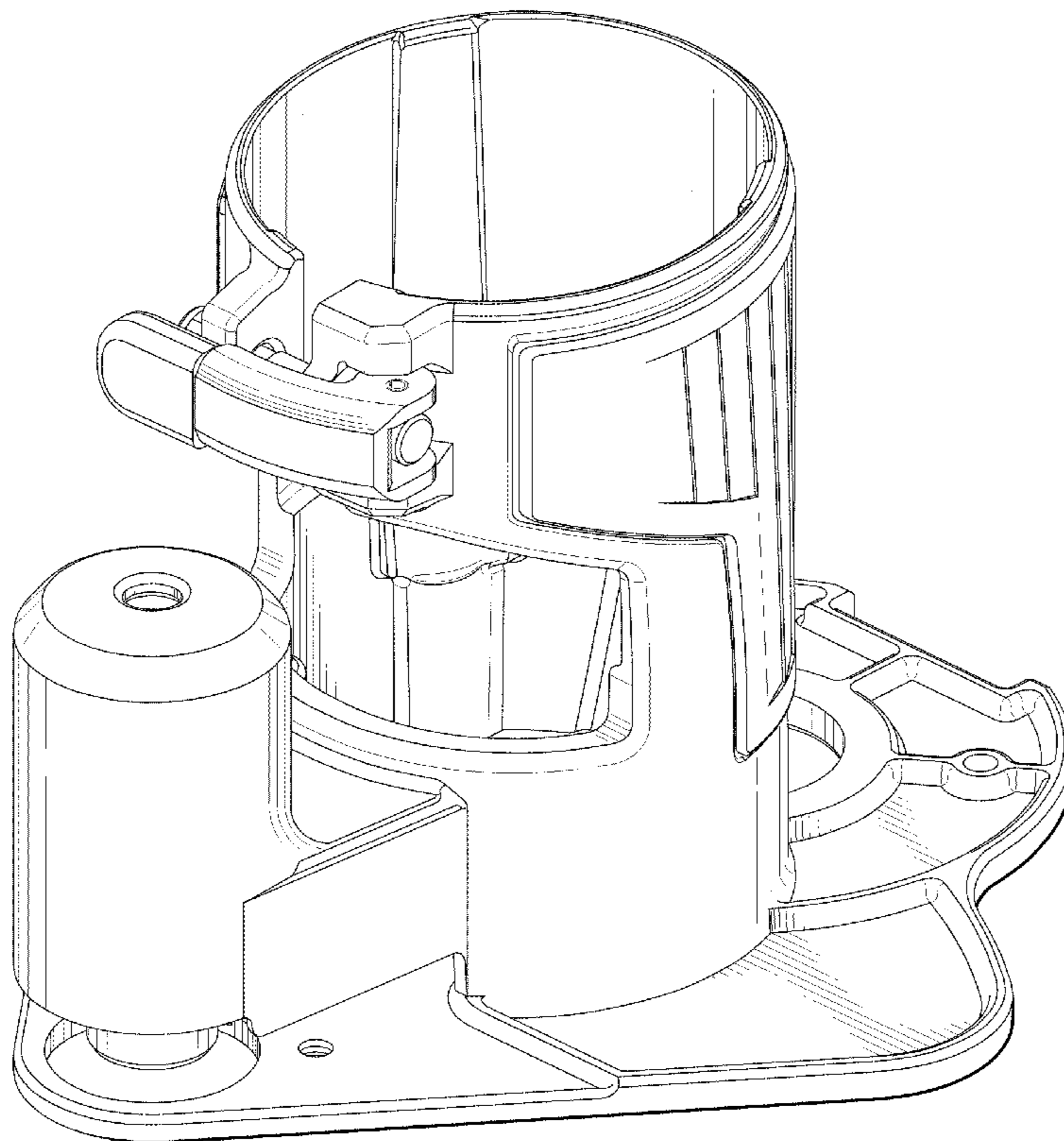
FIG. 5 is a left-side view thereof;

FIG. 6 is a rear view thereof; and,

FIG. 7 is a bottom view thereof.

The broken lines depict unclaimed subject matter of the assembly base for portable electronic router only and form no part of the claimed design.

1 Claim, 7 Drawing Sheets



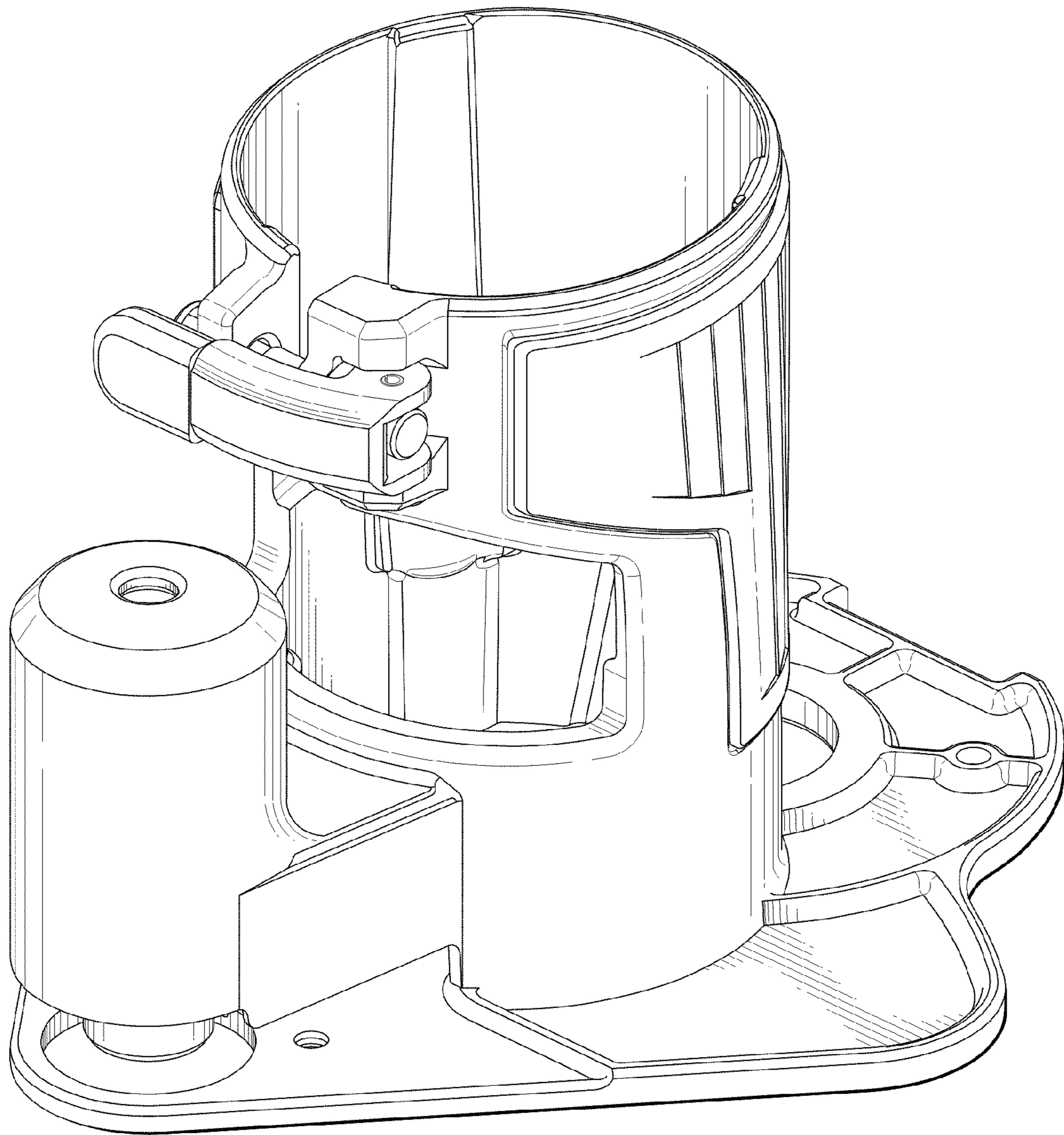


FIG. 1

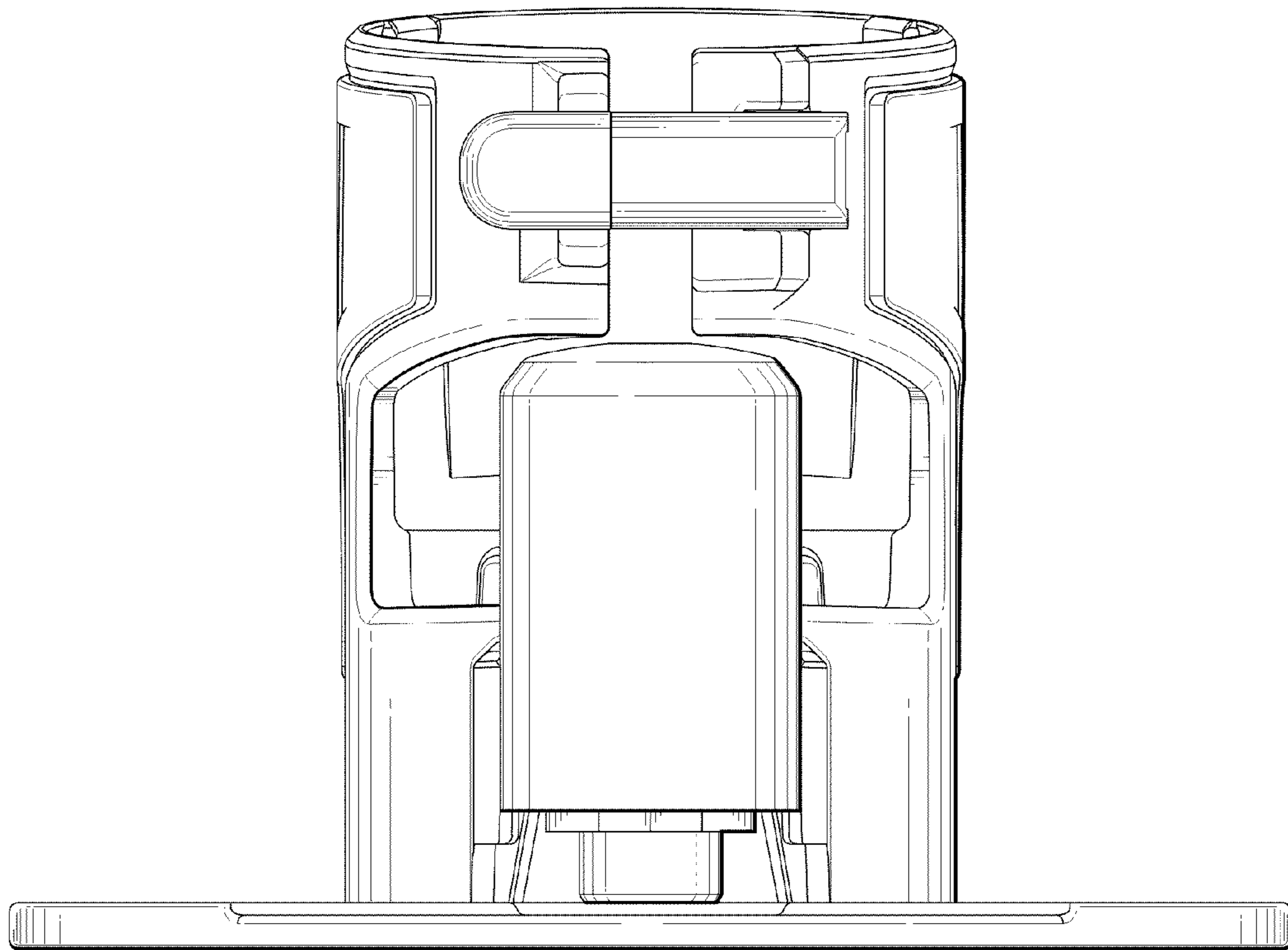


FIG. 2

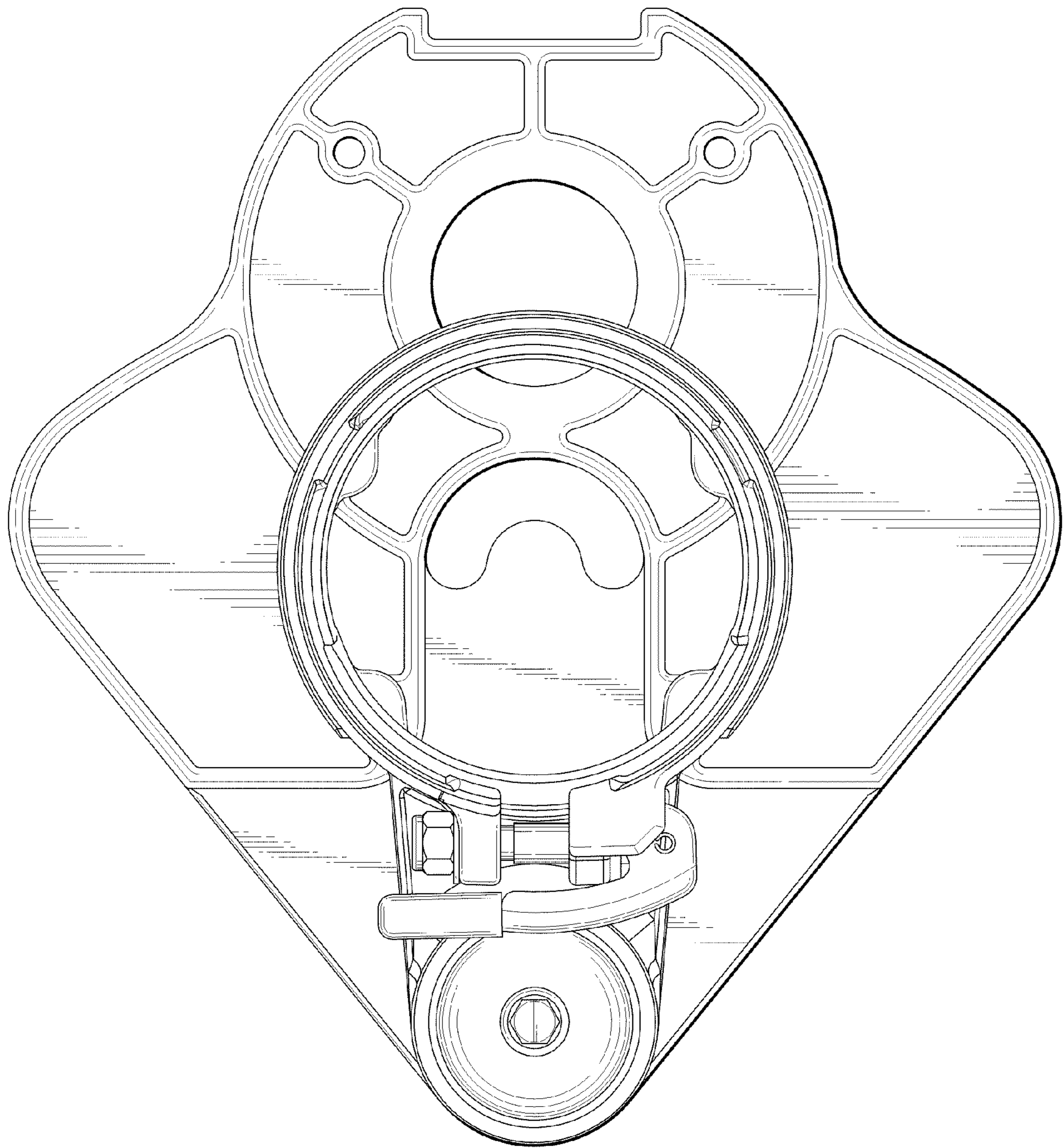


FIG. 3

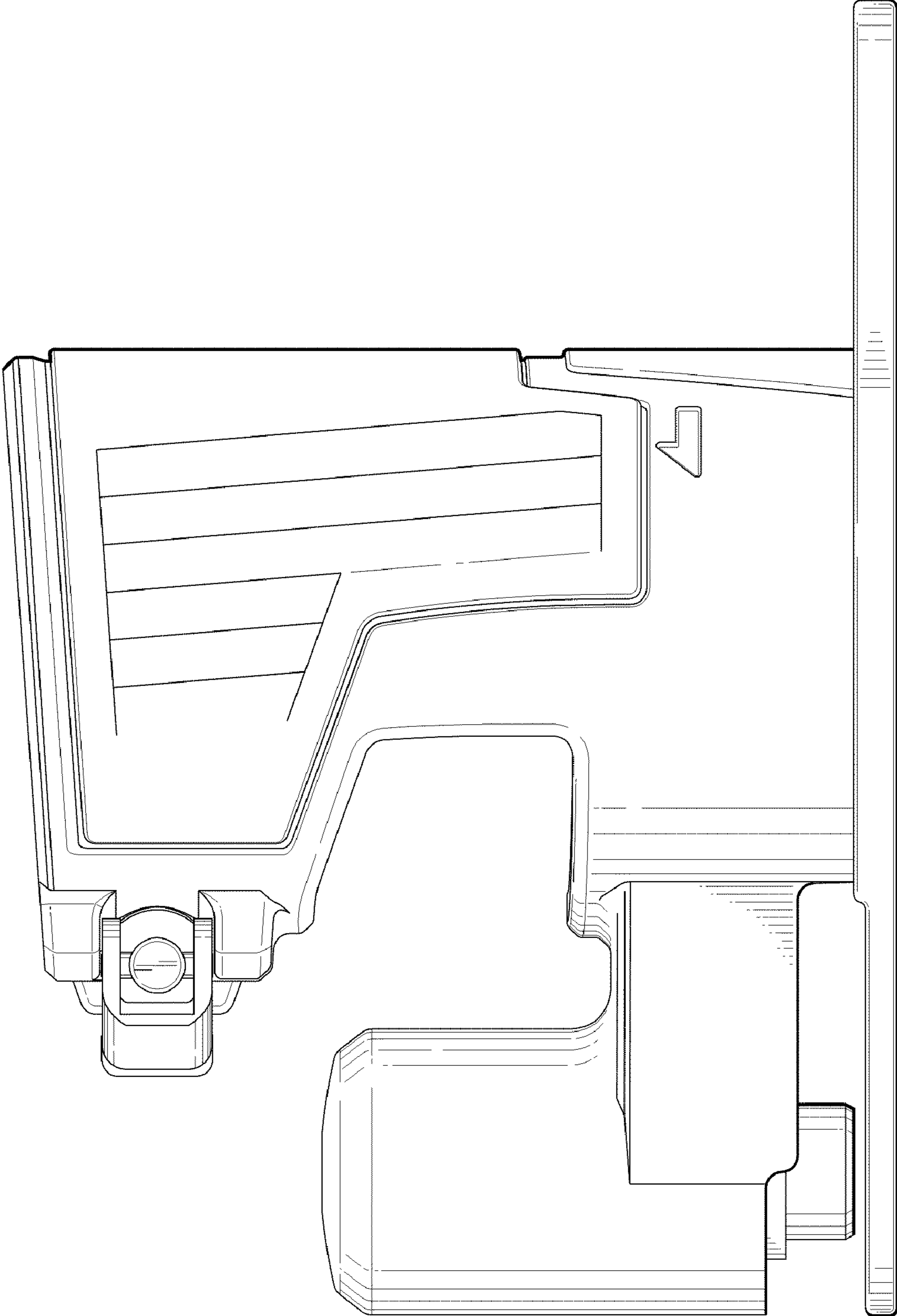


FIG. 4

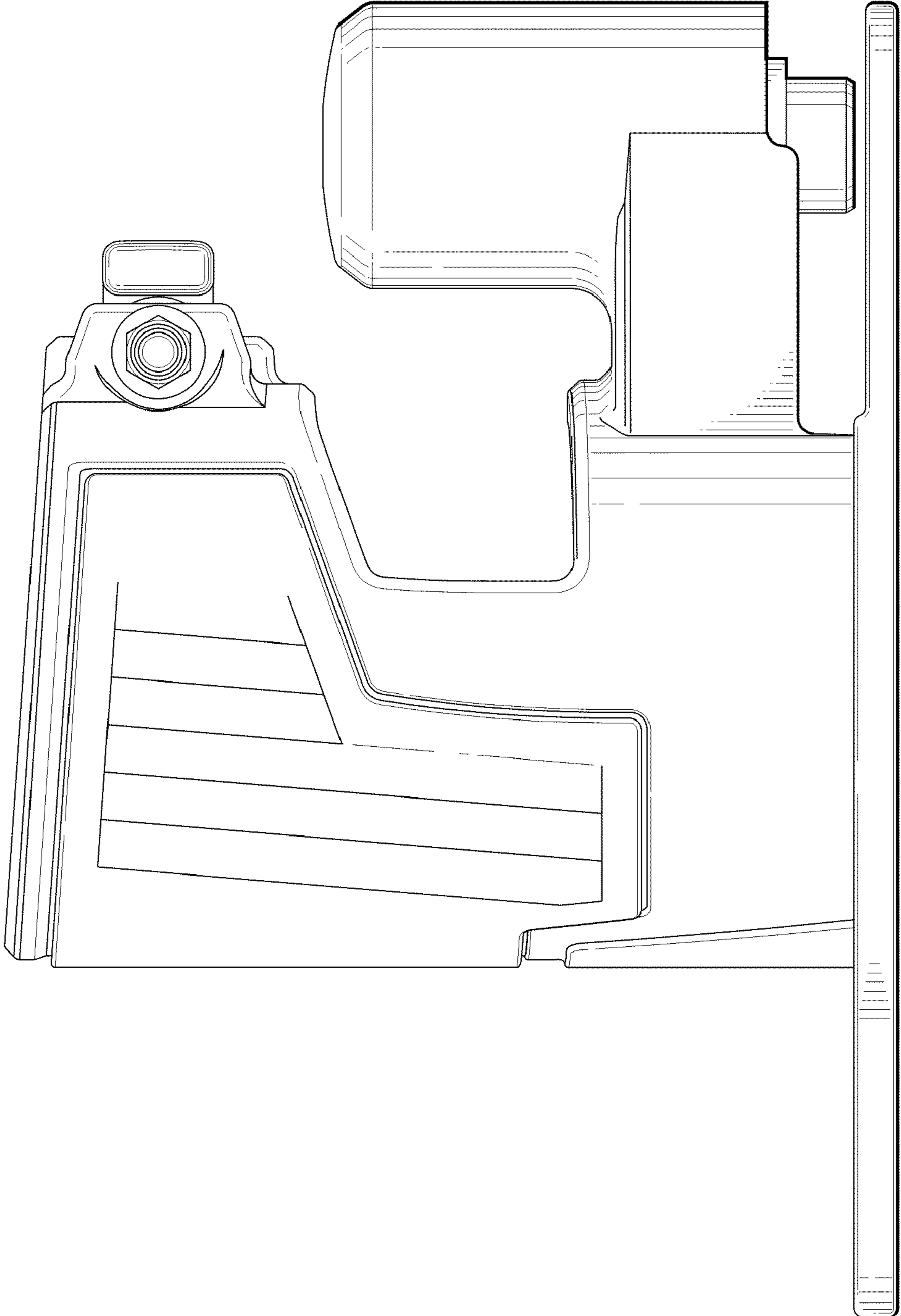


FIG. 5

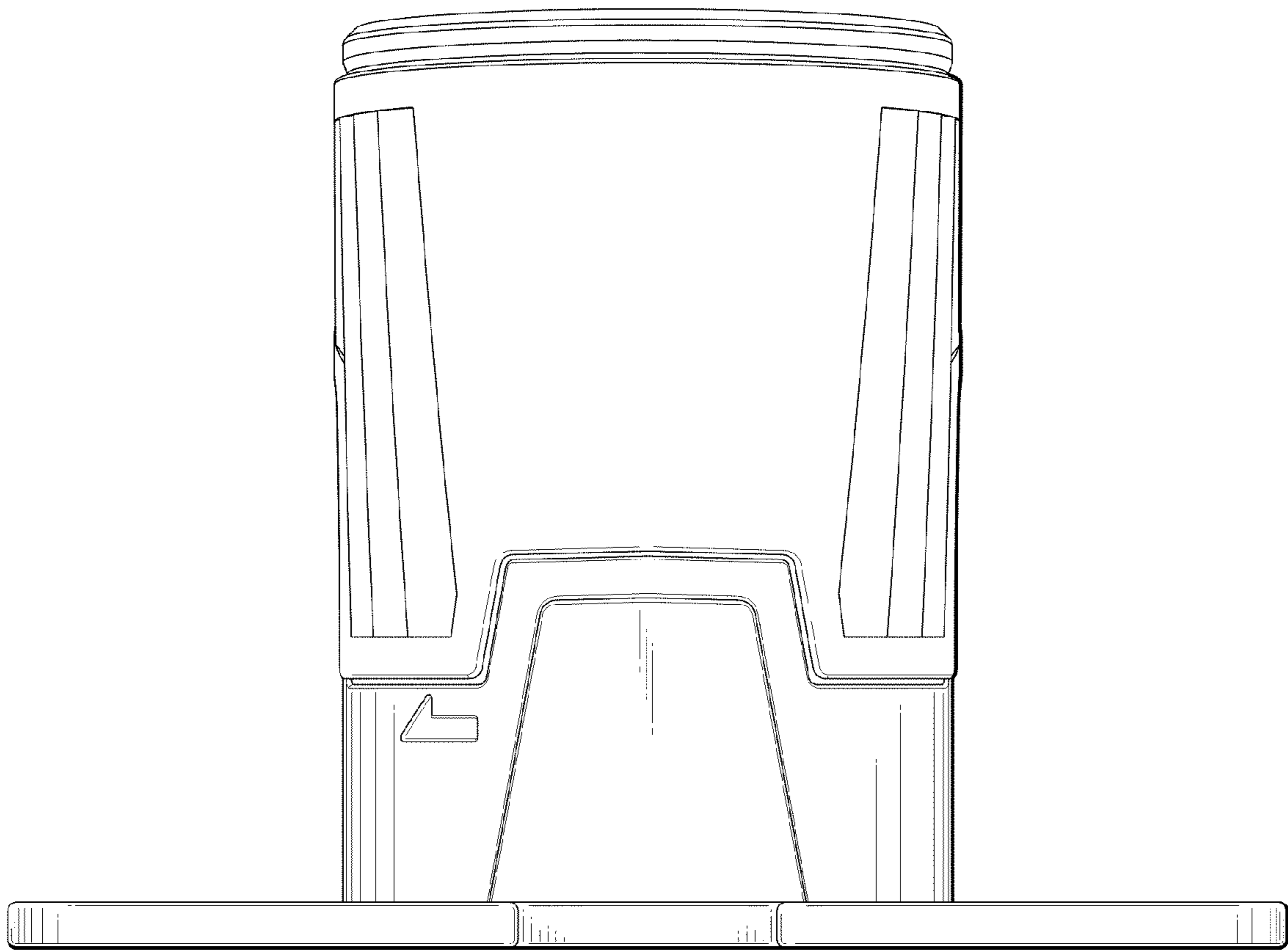


FIG. 6

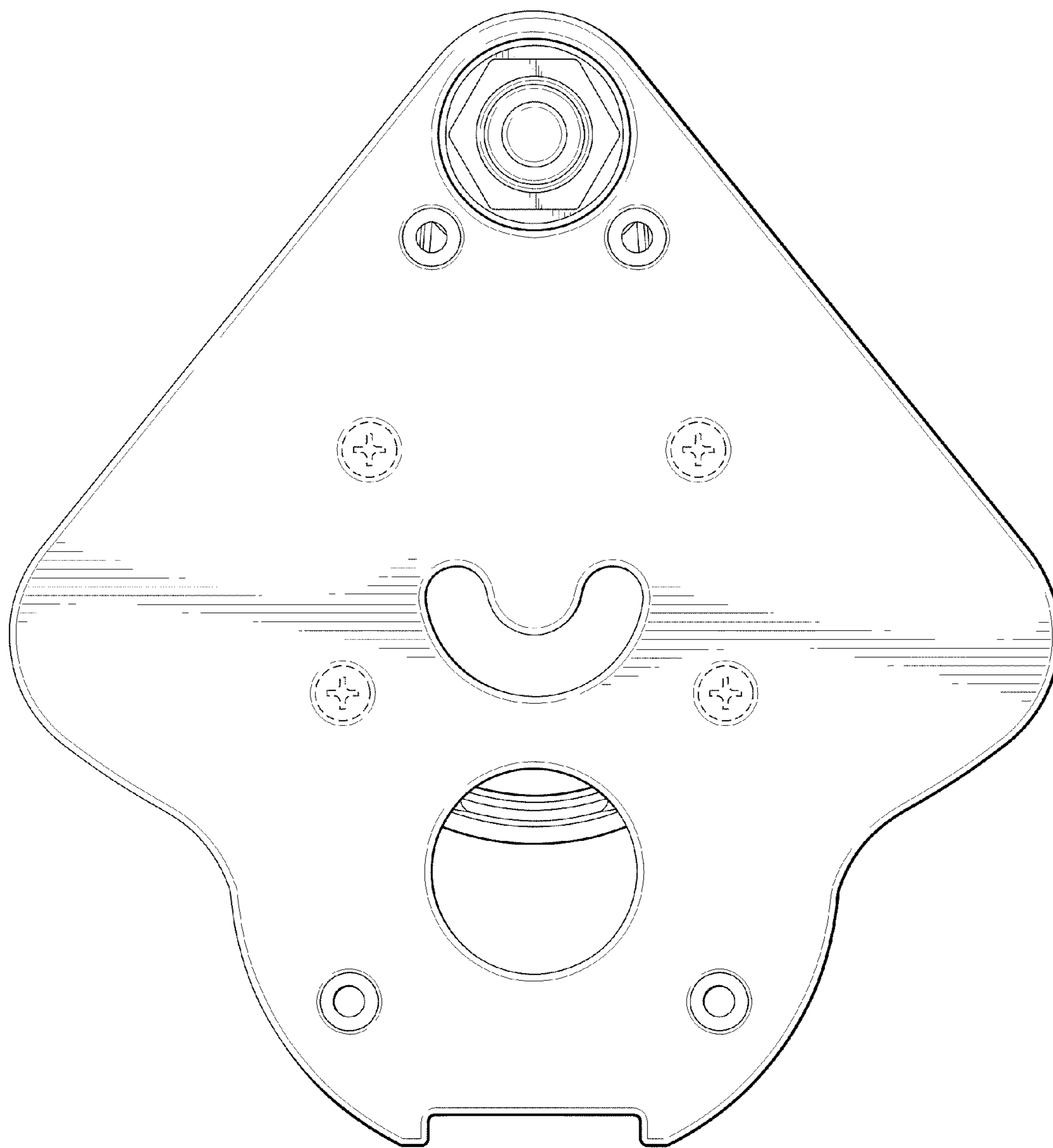


FIG. 7