



US00D643270S

(12) **United States Design Patent**
Hayakawa et al.

(10) **Patent No.:** **US D643,270 S**

(45) **Date of Patent:** **** Aug. 16, 2011**

(54) **PORTABLE ELECTRIC DRILL**

(56) **References Cited**

(75) Inventors: **Naohiro Hayakawa**, Aichi-ken (JP);
Gang Ren, Jiangsu (CN)

U.S. PATENT DOCUMENTS

D585,715 S	2/2009	Okuda et al.	
D587,083 S	2/2009	Misaki	
D605,486 S *	12/2009	Aglassinger	D8/68
D611,319 S *	3/2010	Van Wambeke et al.	D8/68
D617,621 S *	6/2010	Houghton et al.	D8/68
D618,975 S *	7/2010	Yamamoto	D8/68
D626,394 S *	11/2010	Lopano	D8/68

(73) Assignee: **Makita Corporation**, Anjo-shi (JP)

(**) Term: **14 Years**

* cited by examiner

(21) Appl. No.: **29/386,073**

Primary Examiner — Antoine D Davis

(74) *Attorney, Agent, or Firm* — Oliff & Berridge, PLC

(22) Filed: **Feb. 24, 2011**

(57) **CLAIM**

The ornamental design for a portable electric drill, as shown and described.

(30) **Foreign Application Priority Data**

DESCRIPTION

Aug. 31, 2010 (JP) 2010-021012

FIG. 1 is a perspective view of the front, top and left side of a portable electric drill showing our new design;
FIG. 2 is a front view thereof;
FIG. 3 is a rear view thereof;
FIG. 4 is a top plan view thereof;
FIG. 5 is a bottom view thereof;
FIG. 6 is a left side view thereof; and
FIG. 7 is a right side view thereof; and
FIG. 8 is a reference view in which an accumulator is attached to the portable electric drill.

(51) **LOC (9) Cl.** **08-04**

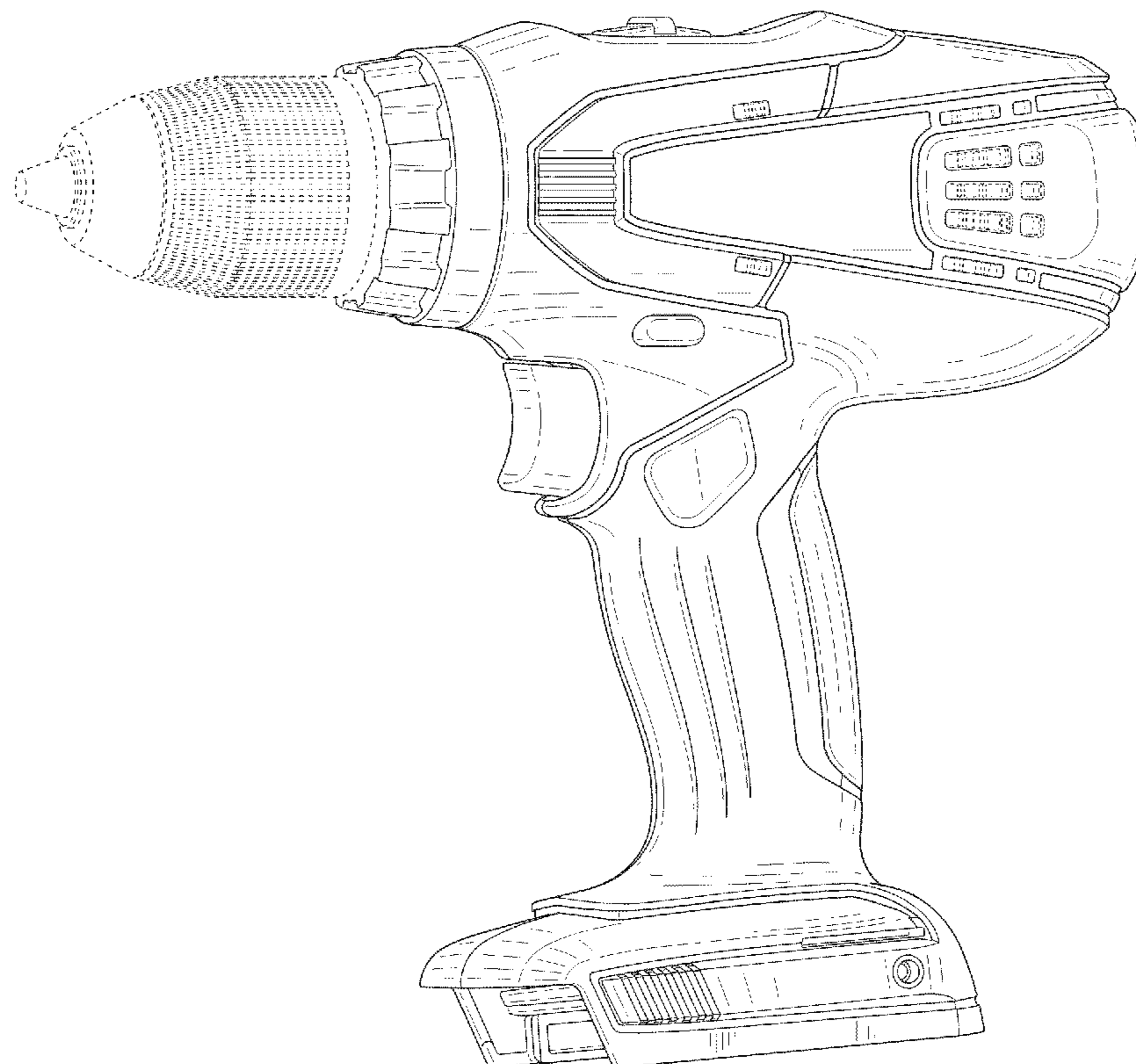
(52) **U.S. Cl.** **D8/68**

(58) **Field of Classification Search** D8/61-70;
81/57.11, 429, 454-456, 469, 489; 227/8,
227/113, 114, 120, 130, 136, 142; 310/50;
408/20, 35, 117, 124, 125, 234, 241 R, 58,
408/67; 451/358; 173/198, 13, 46, 104,
173/114, 167-173, 178, 201, 211, 213, 214,
173/217; 7/158, 165

The portions shown in broken lines are for illustrative purposes only and form no part of the claimed design.

See application file for complete search history.

1 Claim, 6 Drawing Sheets



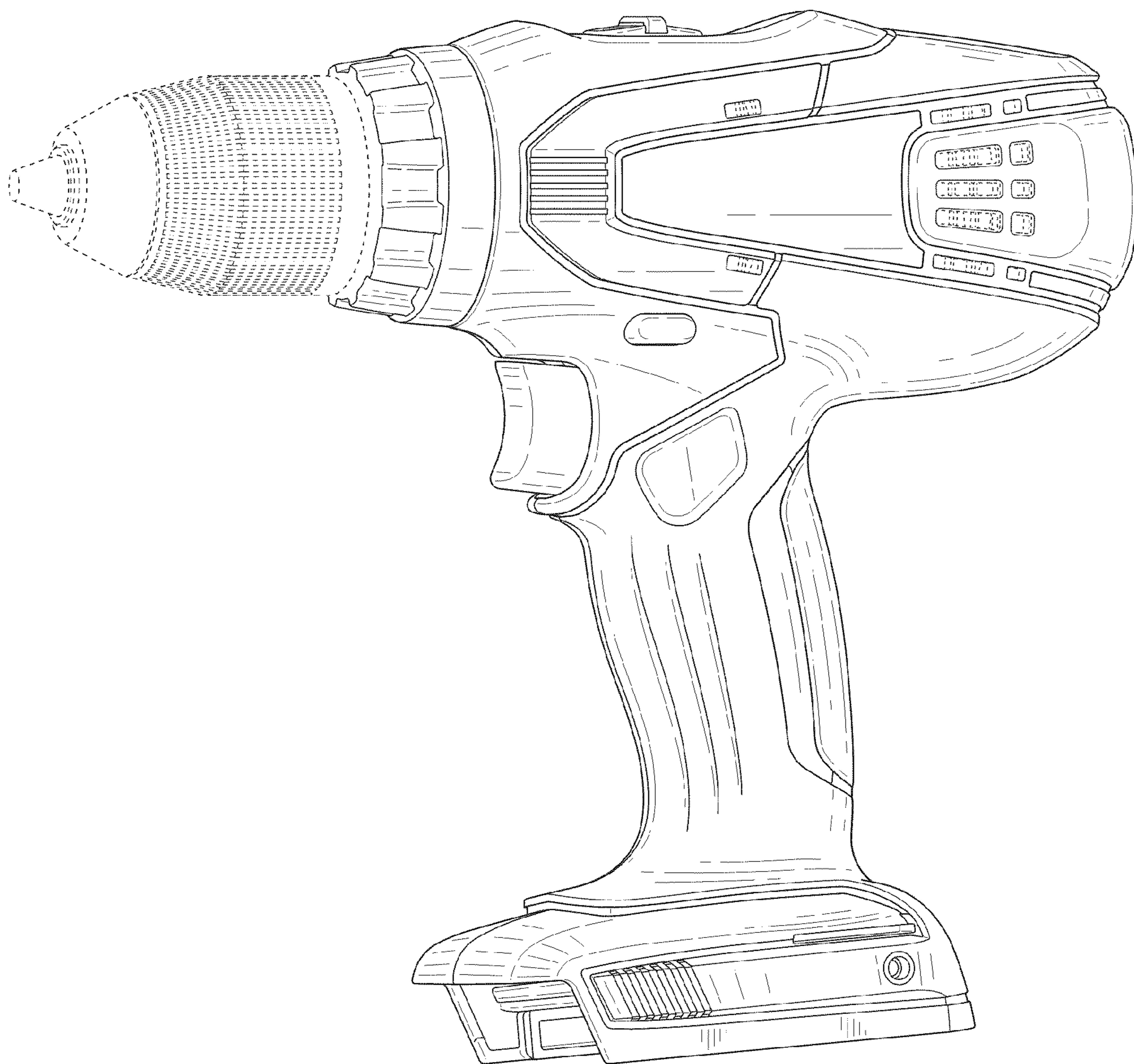


FIG. 1

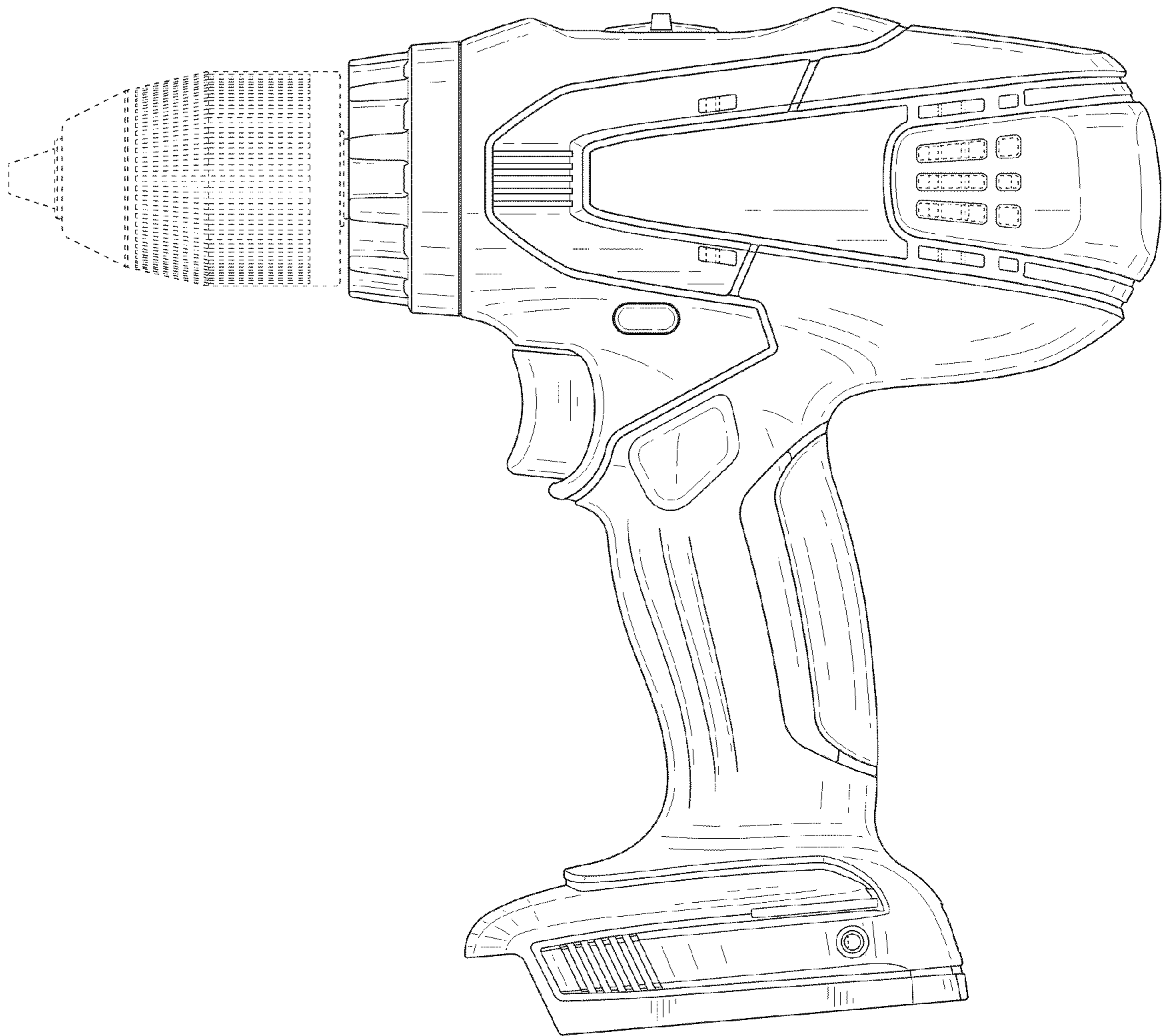


FIG. 2

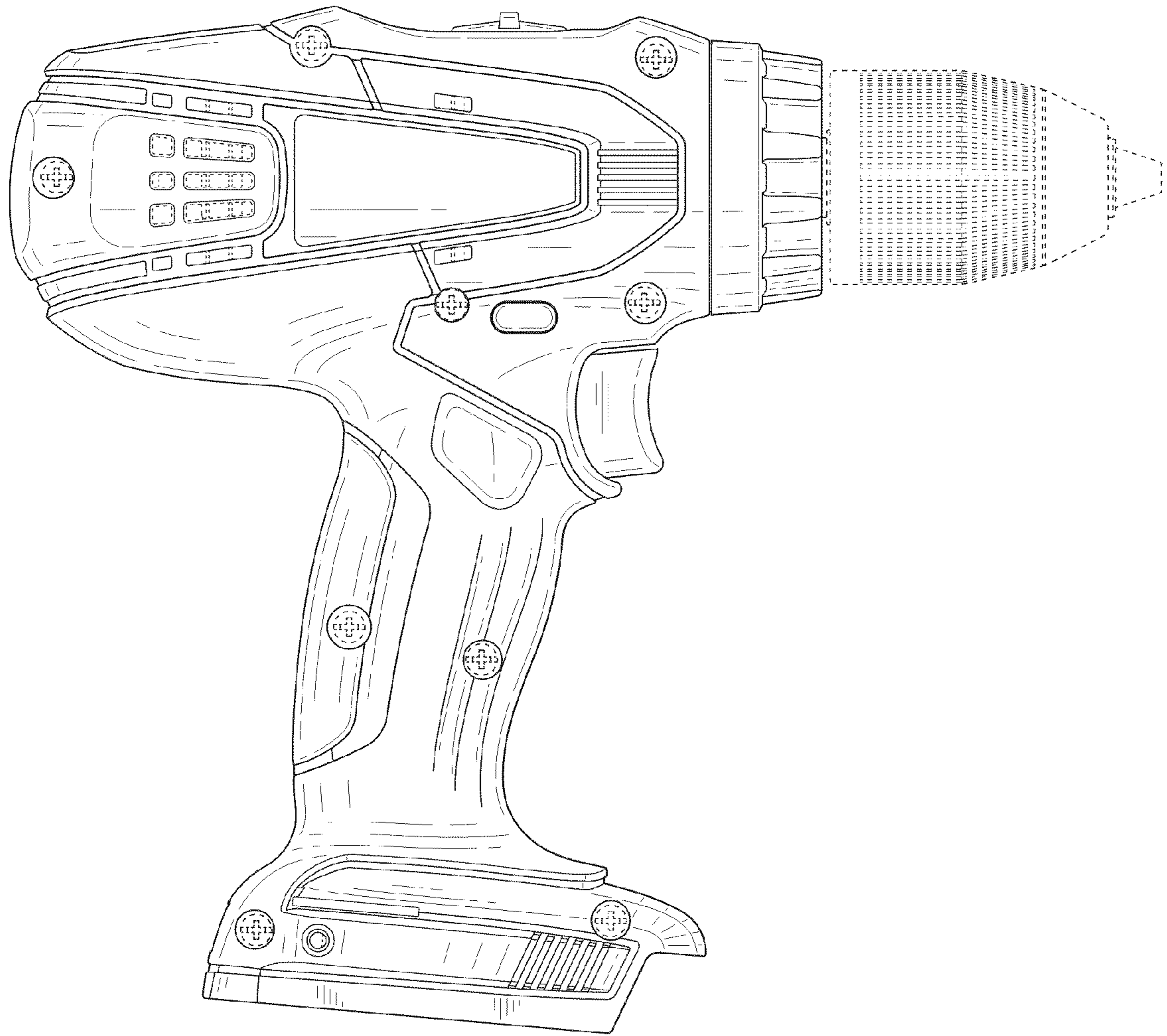


FIG. 3

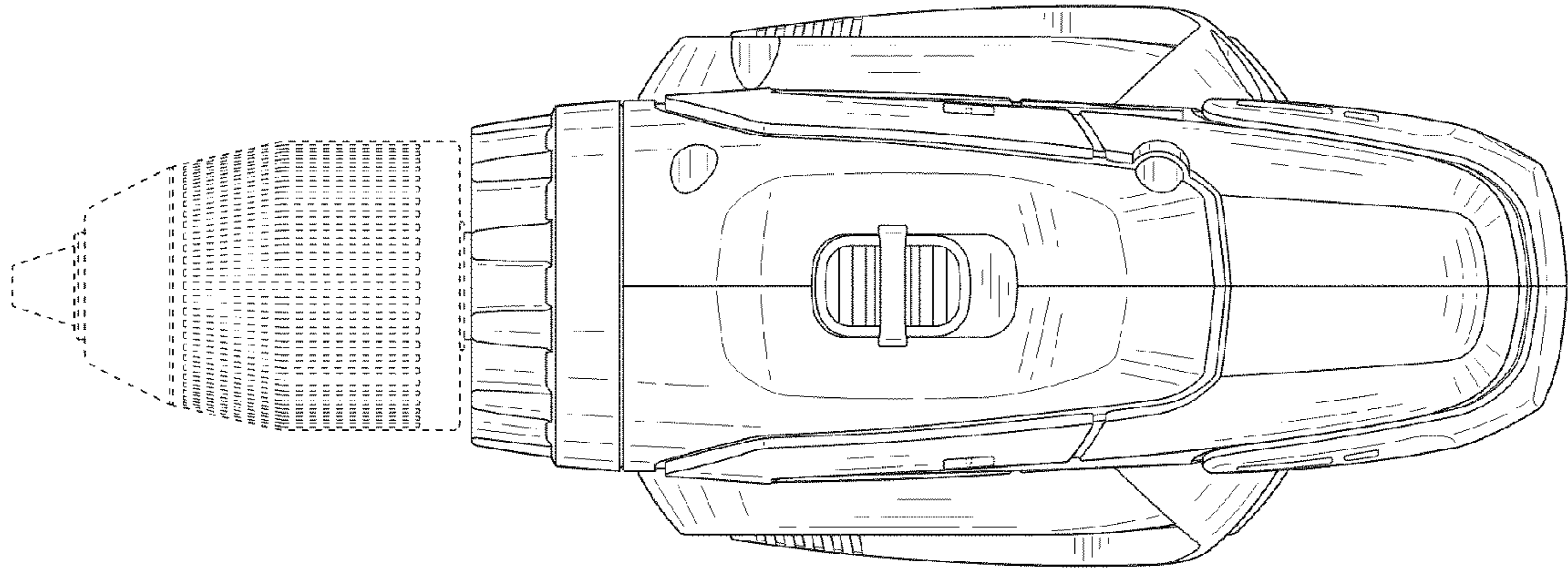


FIG. 4

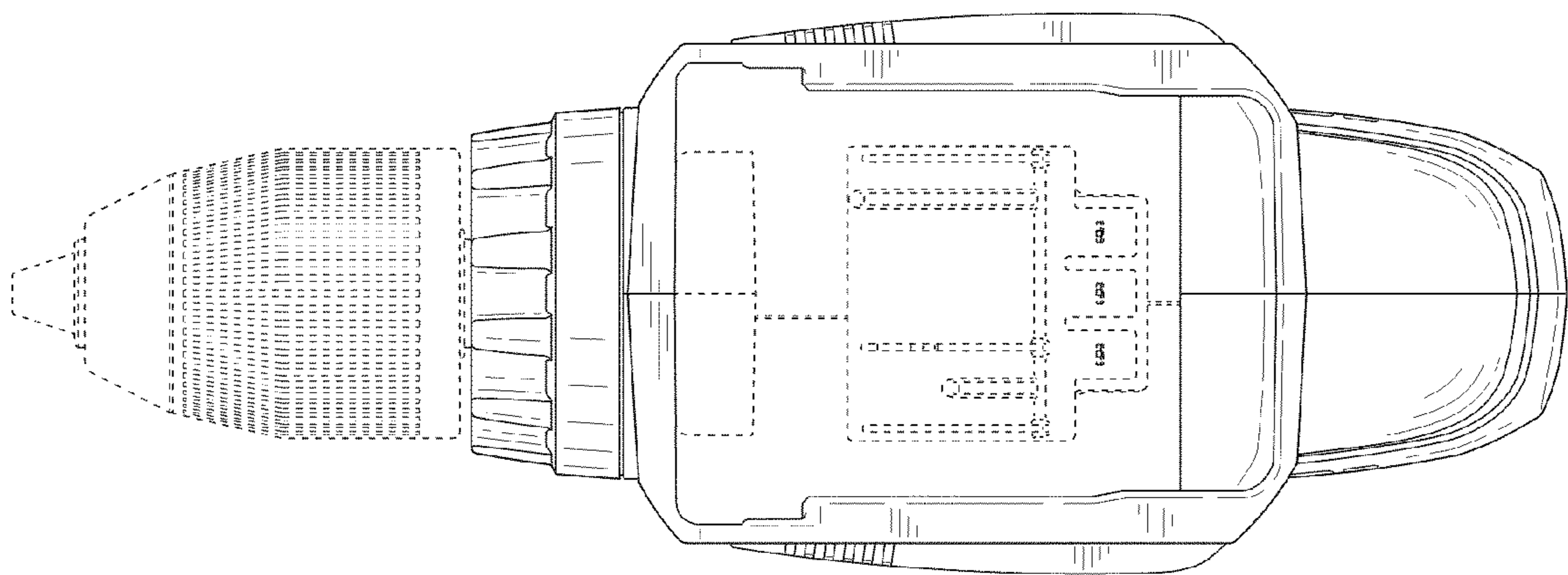


FIG. 5

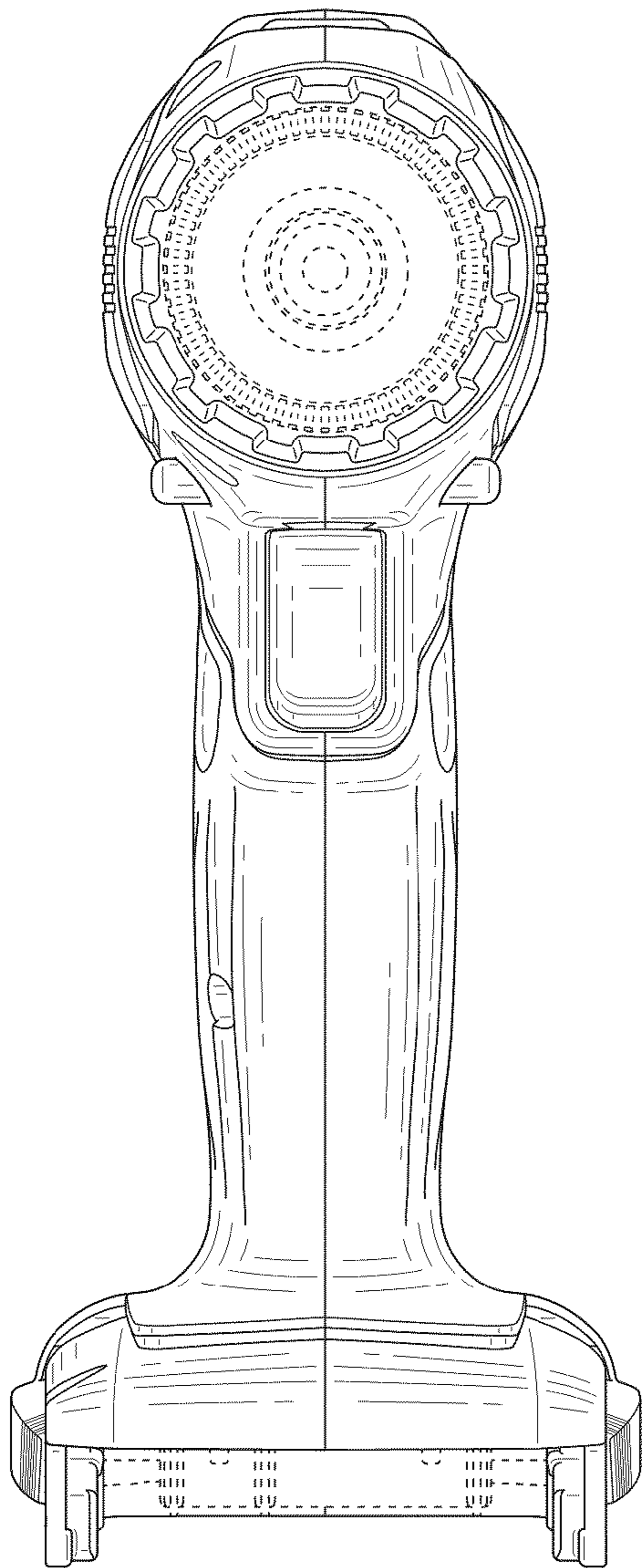


FIG. 6

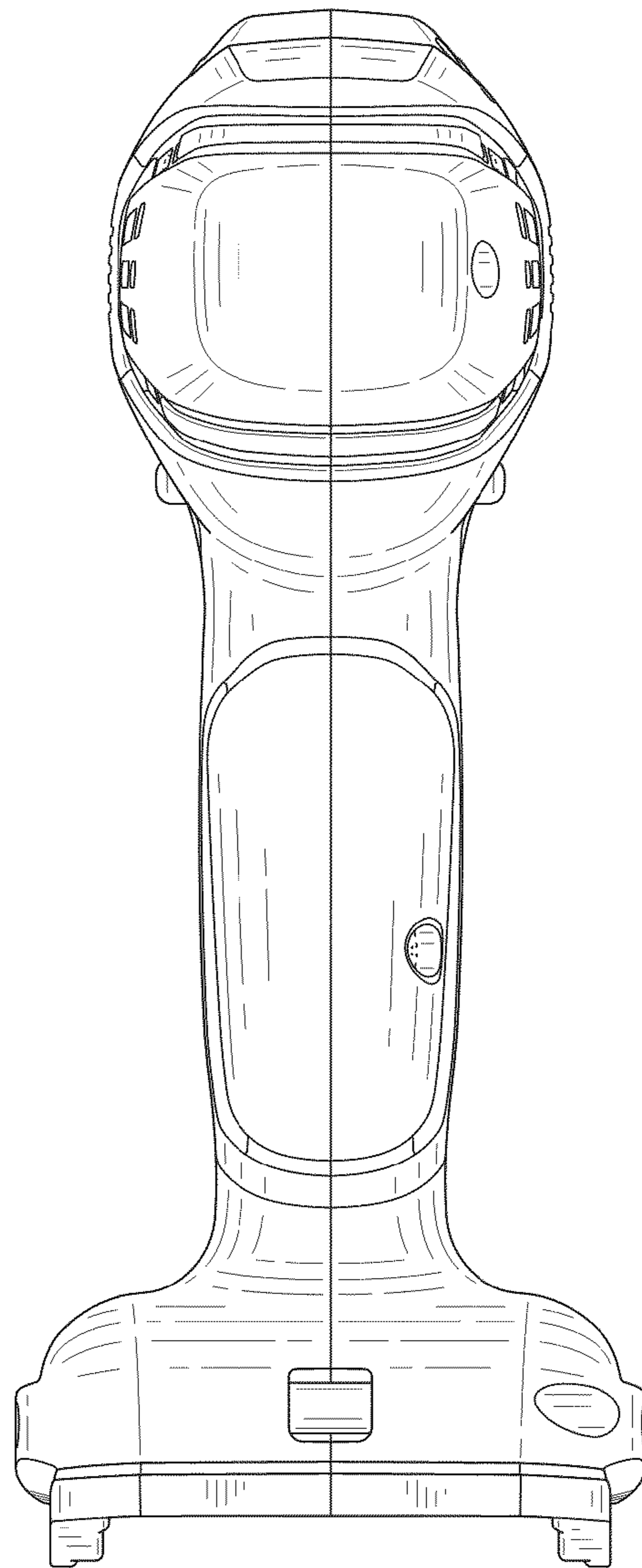


FIG. 7

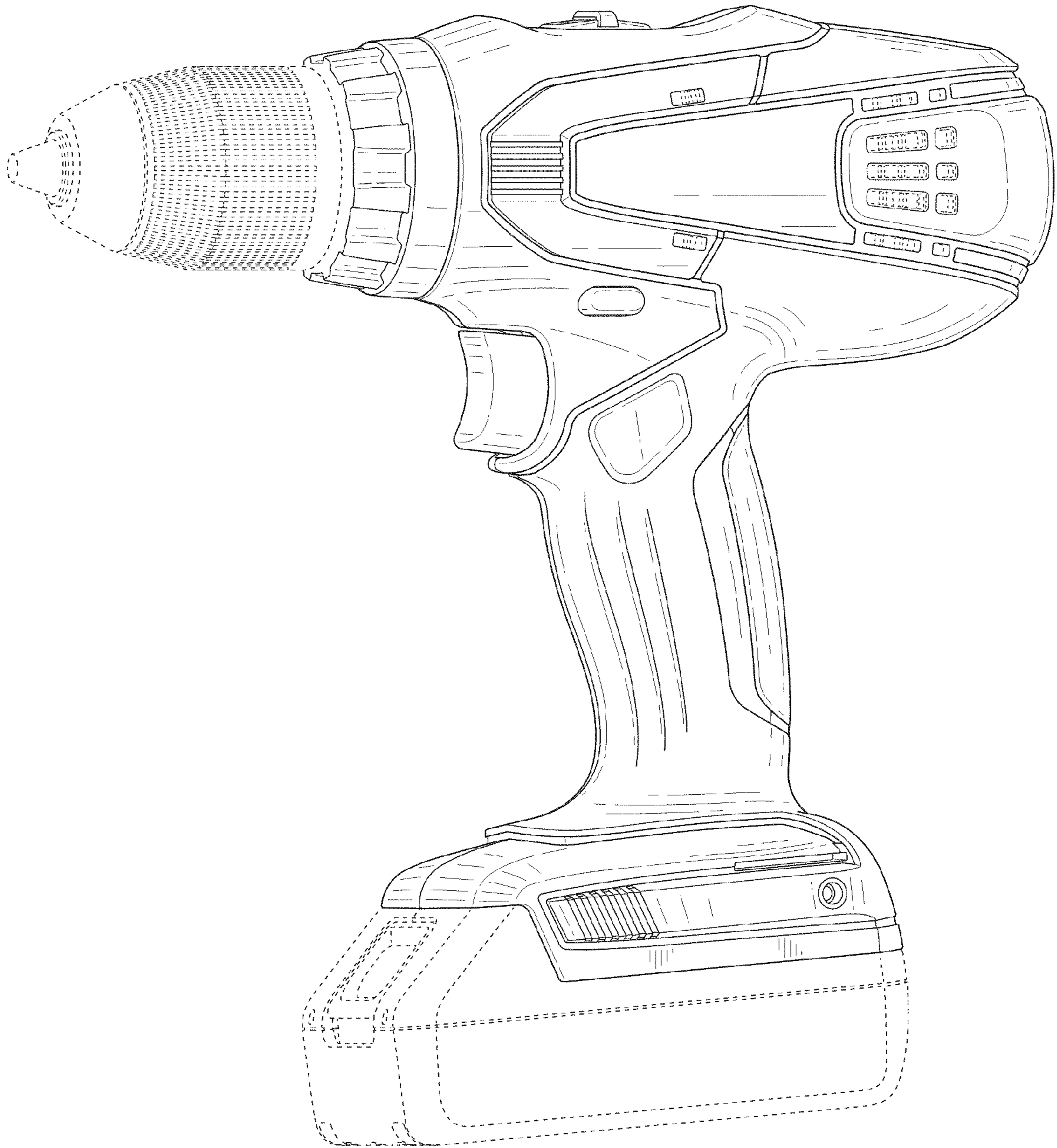


FIG. 8