



US00D643269S

(12) **United States Design Patent**
Mah et al.

(10) **Patent No.:** **US D643,269 S**

(45) **Date of Patent:** **** Aug. 16, 2011**

(54) **MULTI-FUNCTION CAN OPENER**

(75) Inventors: **Pat Y. Mah**, Kowloon (HK); **Alexander Joshef Kalogroulis**, Surrey (GB); **Kwong Keung Tung**, Kowloon (CN); **Michael Ng**, Adelaide (AU)

(73) Assignee: **Daka Research Inc.**, Tortolla (VG)

(**) Term: **14 Years**

(21) Appl. No.: **29/381,898**

(22) Filed: **Dec. 24, 2010**

(51) **LOC (9) Cl.** **07-99**

(52) **U.S. Cl.** **D8/43**

(58) **Field of Classification Search** D8/14,
D8/16-19, 33-43, 88, 89, 107; 7/113, 151-156;
30/400-410, 416-430, 433, 434, 443, 450;
81/3.07, 3.09, 3.2, 3.27, 3.29, 3.31, 3.35,
81/3.37, 3.4, 3.45, 3.48, 3.49, 3.55
See application file for complete search history.

(56) **References Cited**

U.S. PATENT DOCUMENTS

602,324	A *	4/1898	Hautsch	D8/16
D28,940	S *	6/1898	Miller	D8/14
6,249,980	B1 *	6/2001	Edwards	30/434
D460,330	S *	7/2002	Huang	D8/43

D500,647	S *	1/2005	So	D8/34
D503,598	S *	4/2005	So	D8/39
D540,131	S *	4/2007	Swann	D8/40
D548,032	S *	8/2007	Hernandez, Jr.	D8/40
D601,395	S *	10/2009	Burton	D8/40
D634,597	S *	3/2011	Mah et al.	D8/41
2004/0255722	A1 *	12/2004	So	81/3.09

* cited by examiner

Primary Examiner — Garth Rademaker

(74) *Attorney, Agent, or Firm* — Curtis L. Harrington; Harrington & Harrington

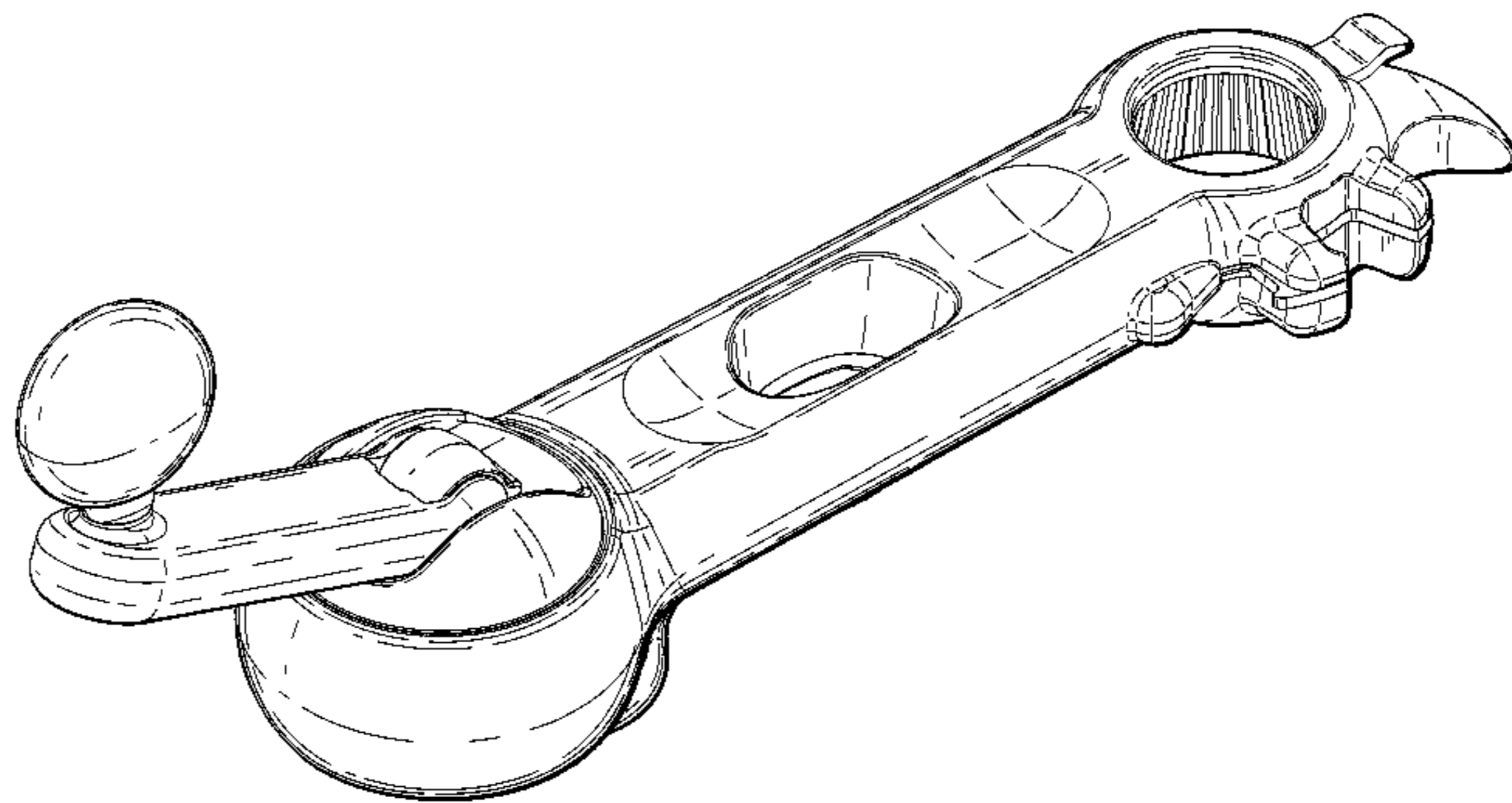
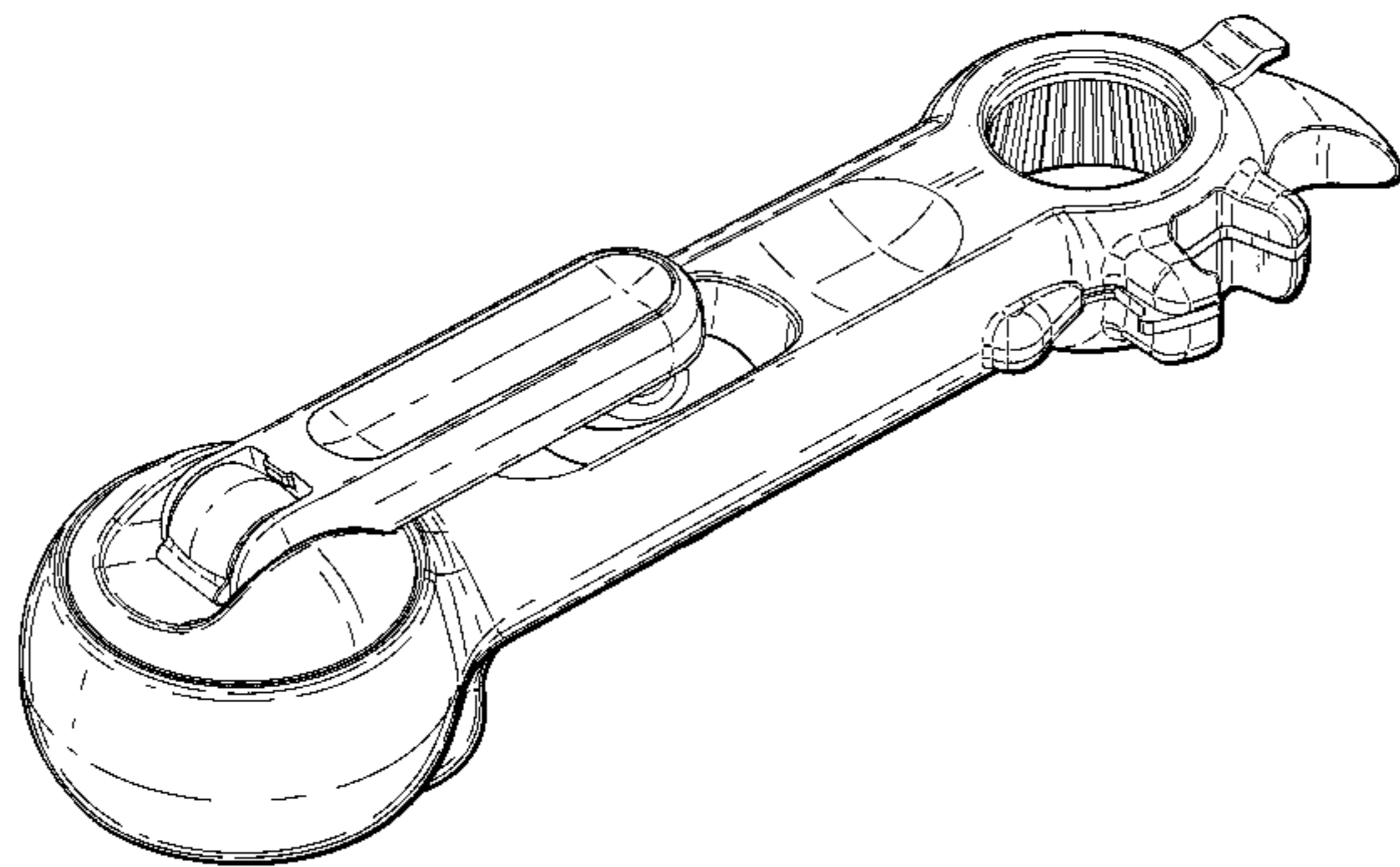
(57) **CLAIM**

The ornamental design for a multi-function can opener, as shown and described.

DESCRIPTION

FIG. 1 is a perspective view of a multi-function can opener, shown in a folded position;
FIG. 2 is a left side view thereof;
FIG. 3 is a right side view thereof;
FIG. 4 is a front view thereof;
FIG. 5 is a rear view thereof;
FIG. 6 is a top view thereof;
FIG. 7 is a bottom view thereof; and,
FIG. 8 is a perspective view thereof, shown in an open position.

1 Claim, 5 Drawing Sheets



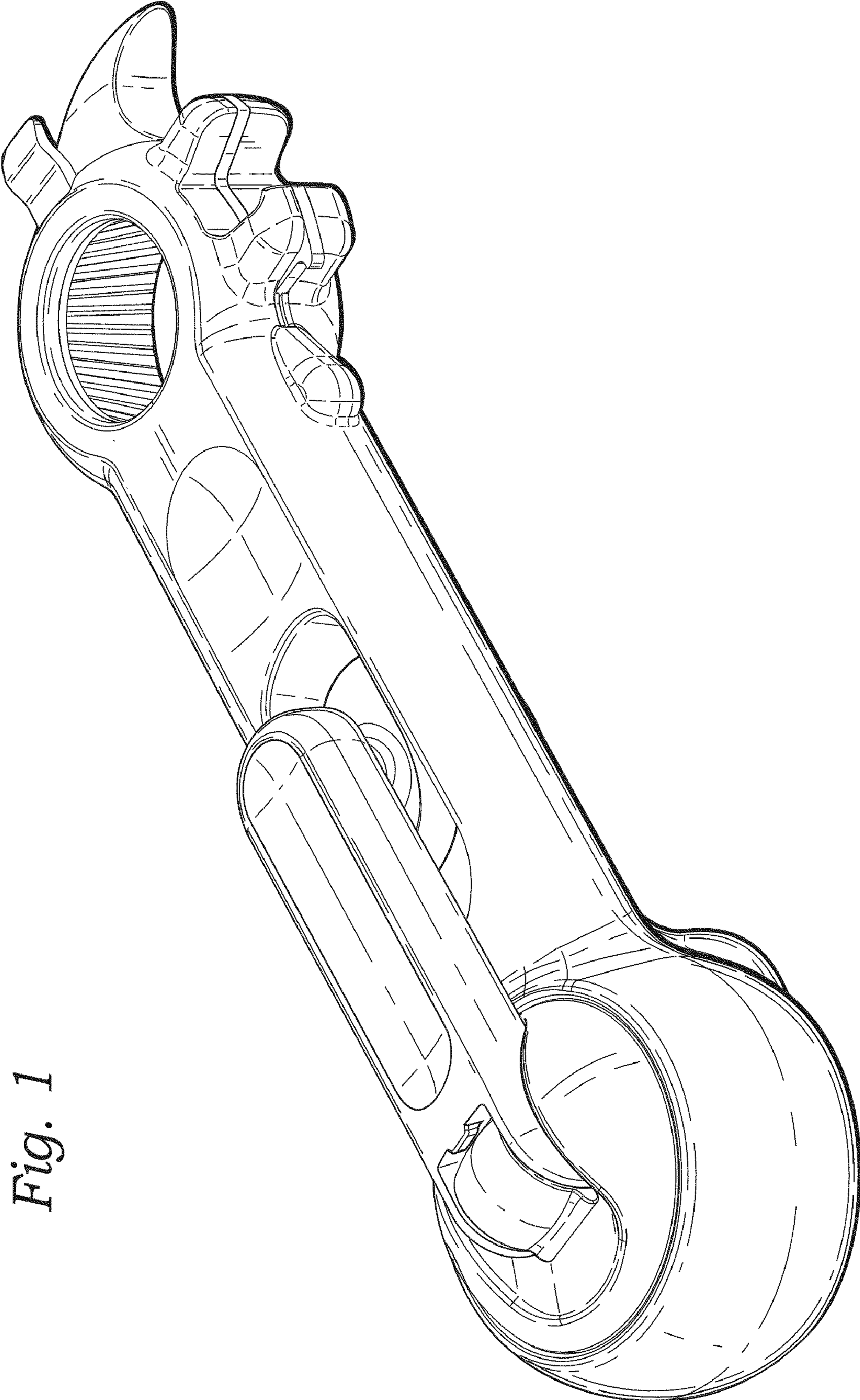


Fig. 1

Fig. 2

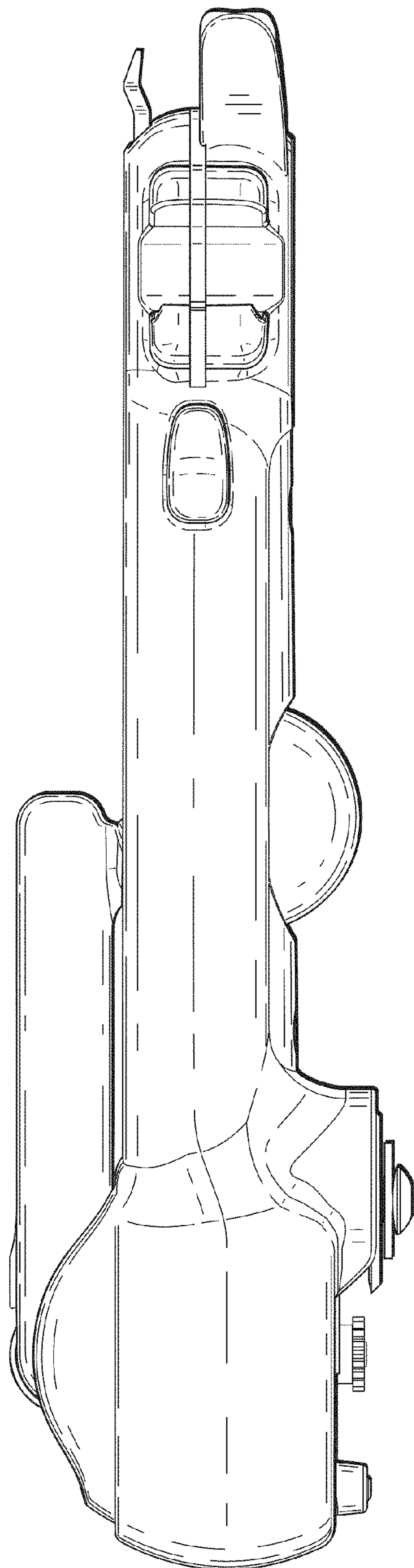


Fig. 3

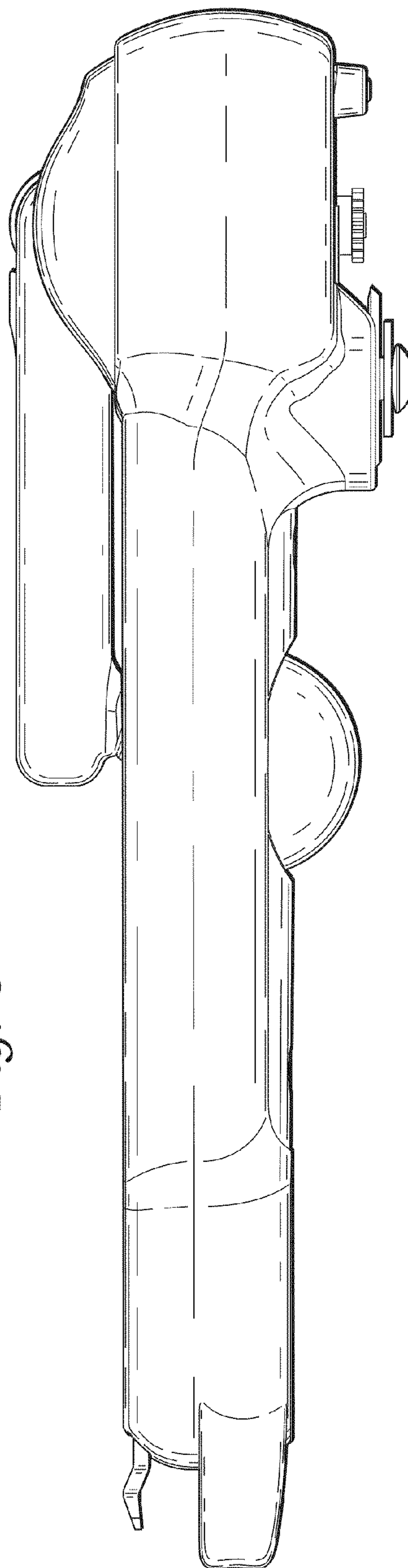


Fig. 5

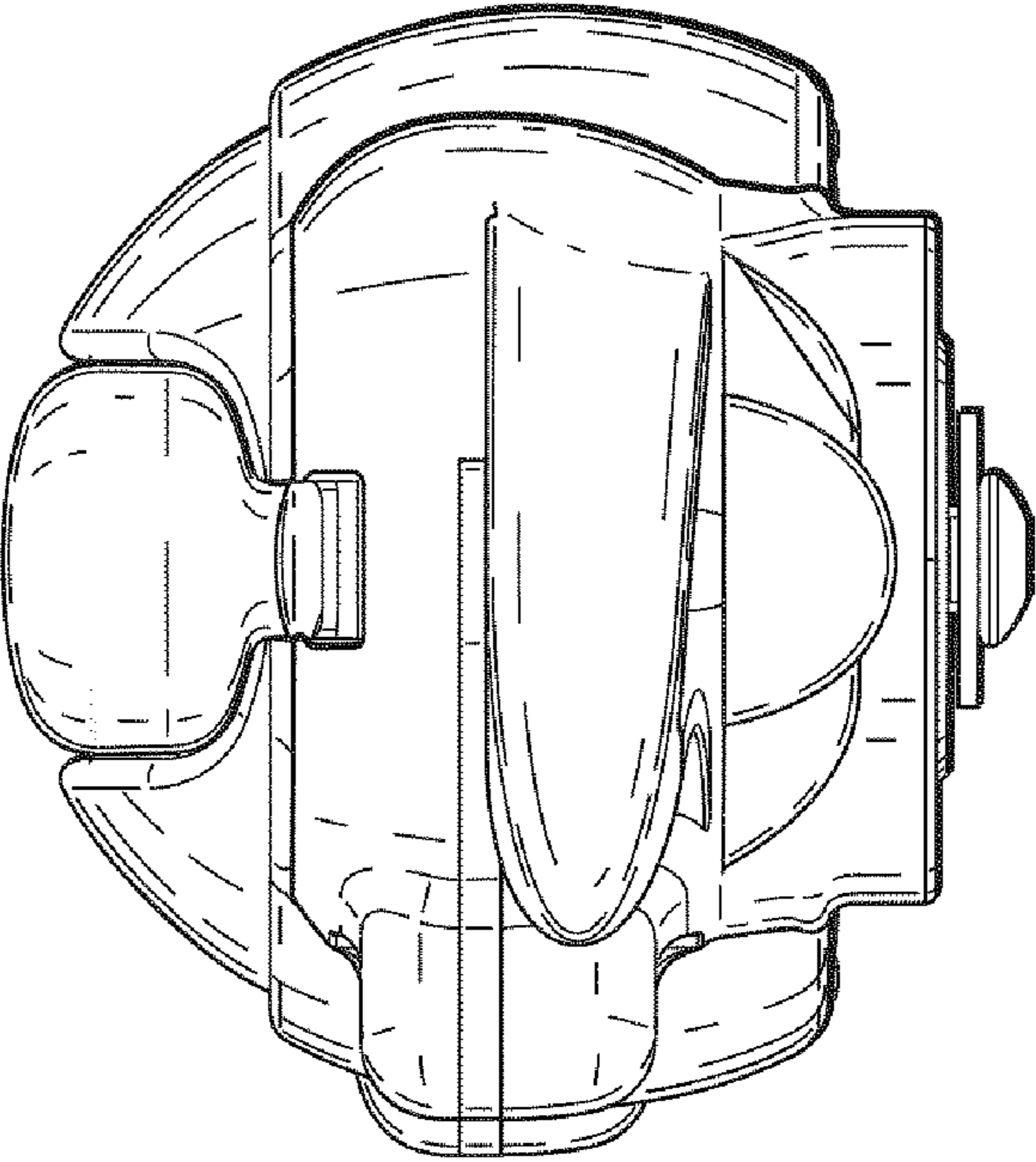


Fig. 4

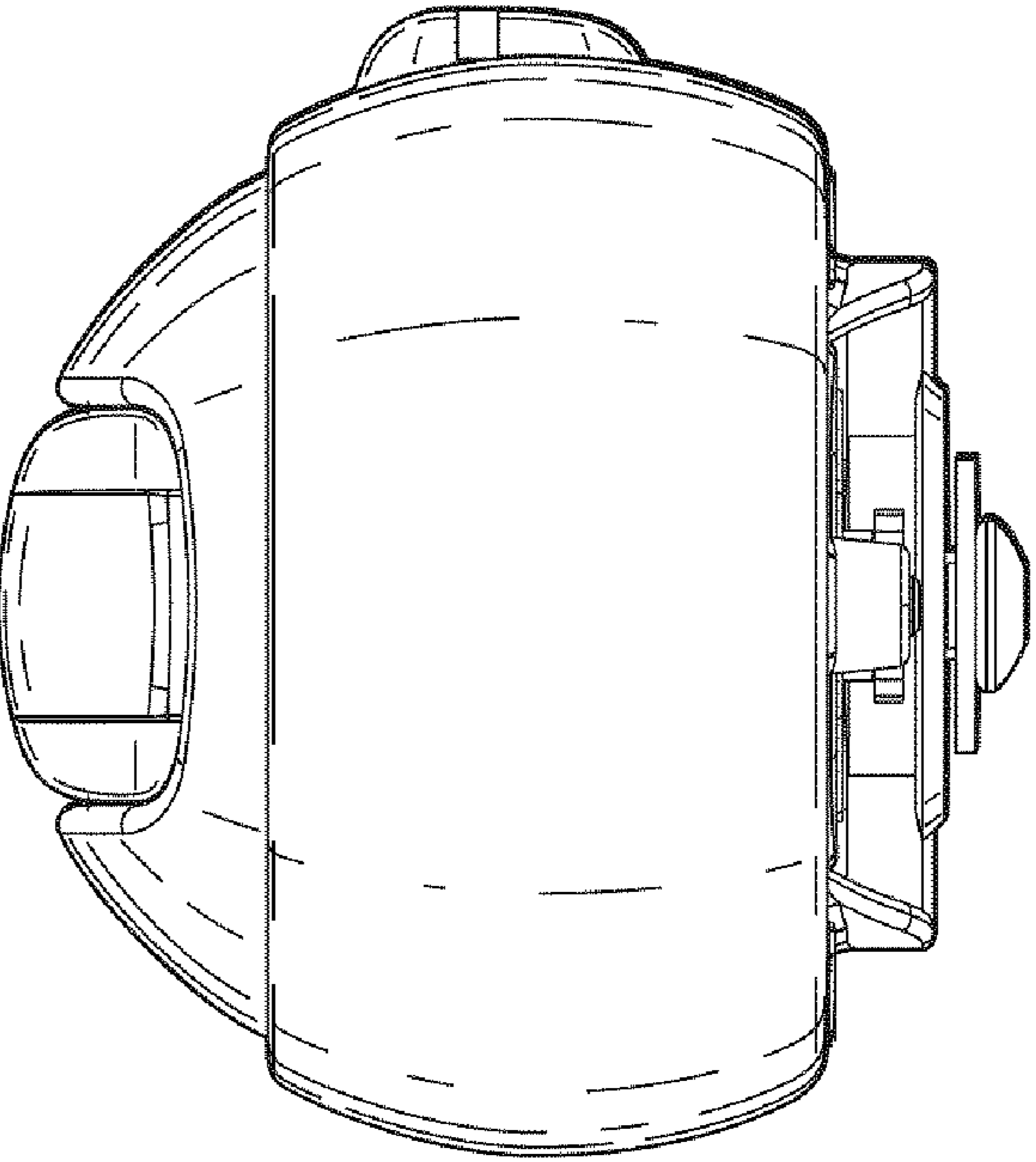


Fig. 6

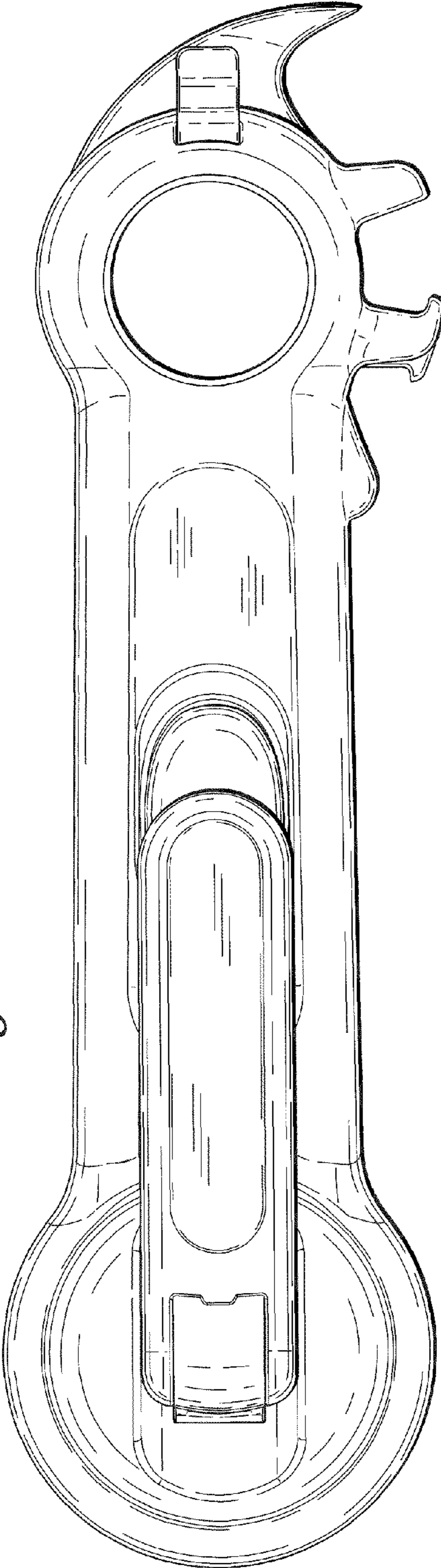
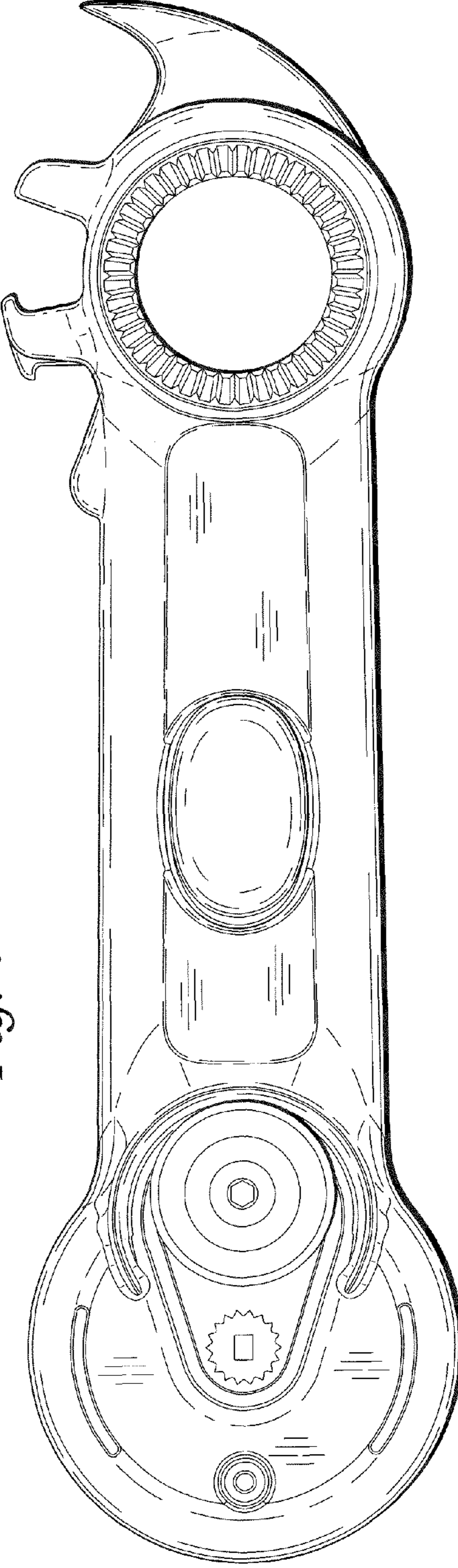


Fig. 7



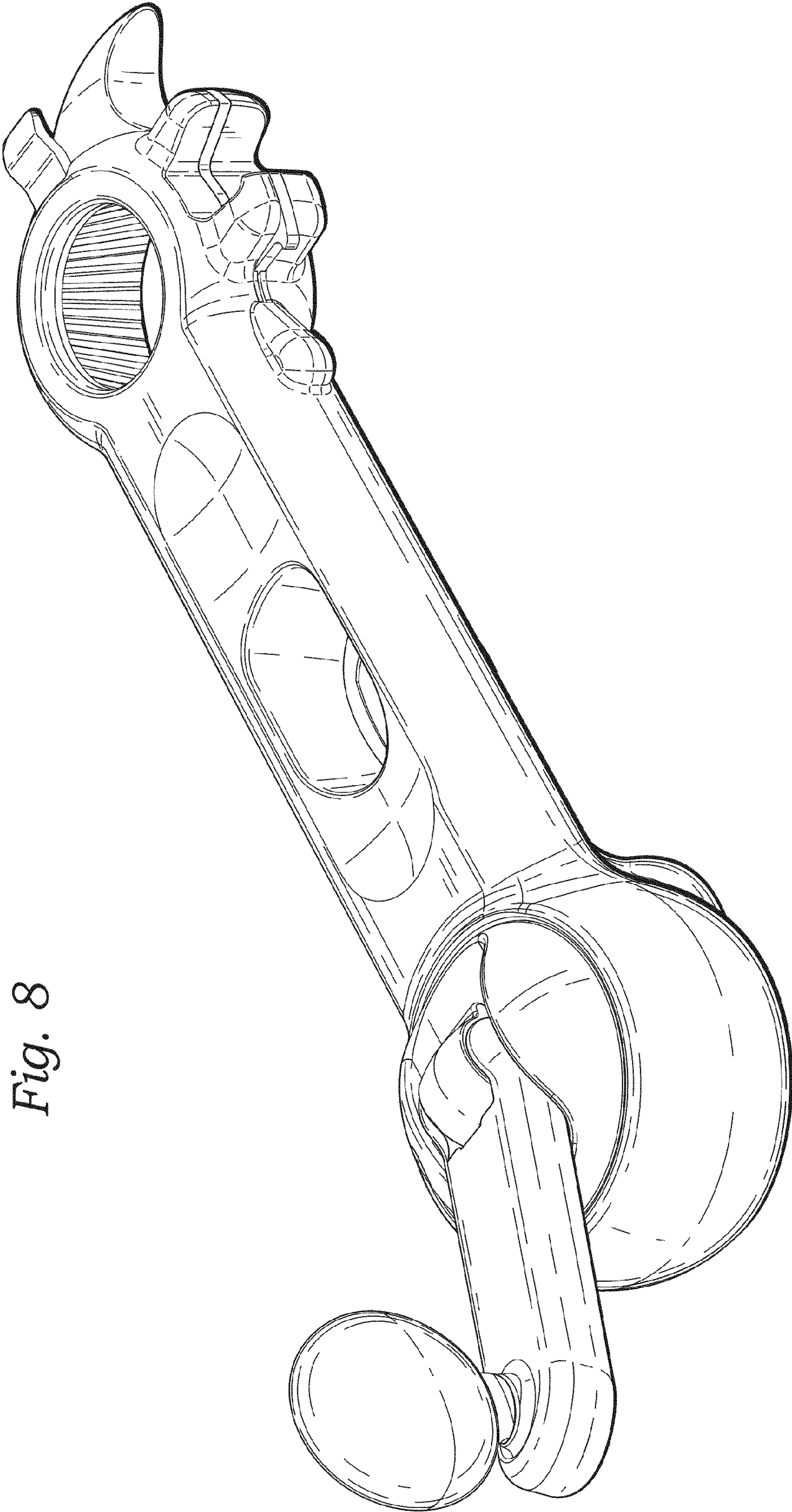


Fig. 8