



US00D643265S

(12) **United States Design Patent**
Kim et al.

(10) **Patent No.:** **US D643,265 S**

(45) **Date of Patent:** **** Aug. 16, 2011**

(54) **JUICER**

(75) Inventors: **Jong Boo Kim**, Suseong-gu (KR); **In Young Kim**, Bukgu (KR)

(73) Assignee: **NUC Electronics Co., Ltd.**, Daegu (KR)

(**) Term: **14 Years**

(21) Appl. No.: **29/378,059**

(22) Filed: **Oct. 28, 2010**

(51) **LOC (9) Cl.** **31-00**

(52) **U.S. Cl.** **D7/665**

(58) **Field of Classification Search** D7/665,
D7/666, 381, 384, 378, 376, 377; 366/64-67,
366/98, 142, 197-211, 241-254, 279-292,
366/341-347; 241/36, 30, 37.5, 92, 100,
241/282.1, 101.1-101.2, 285.1-285.3; 99/501-513,
99/495, 499, 348, 357

See application file for complete search history.

(56) **References Cited**

U.S. PATENT DOCUMENTS

D555,434	S	*	11/2007	Cohen et al.	D7/665
D565,363	S	*	4/2008	Fouquet	D7/666
D572,092	S	*	7/2008	Since	D7/665
D594,717	S	*	6/2009	Wu Chang	D7/665

* cited by examiner

Primary Examiner — Terry Wallace

(74) *Attorney, Agent, or Firm* — Carr LLP; Theodore F. Shiells

(57) **CLAIM**

The ornamental design for a juicer, as shown.

DESCRIPTION

FIG. 1 is a front elevational view of a juicer showing my new design;
FIG. 2 is a rear elevational view thereof;
FIG. 3 is a left side elevational view thereof;
FIG. 4 is a right side elevational view thereof;
FIG. 5 is a top plan view thereof;
FIG. 6 is a bottom plan view thereof; and
FIG. 7 is a reference perspective view thereof.

1 Claim, 6 Drawing Sheets

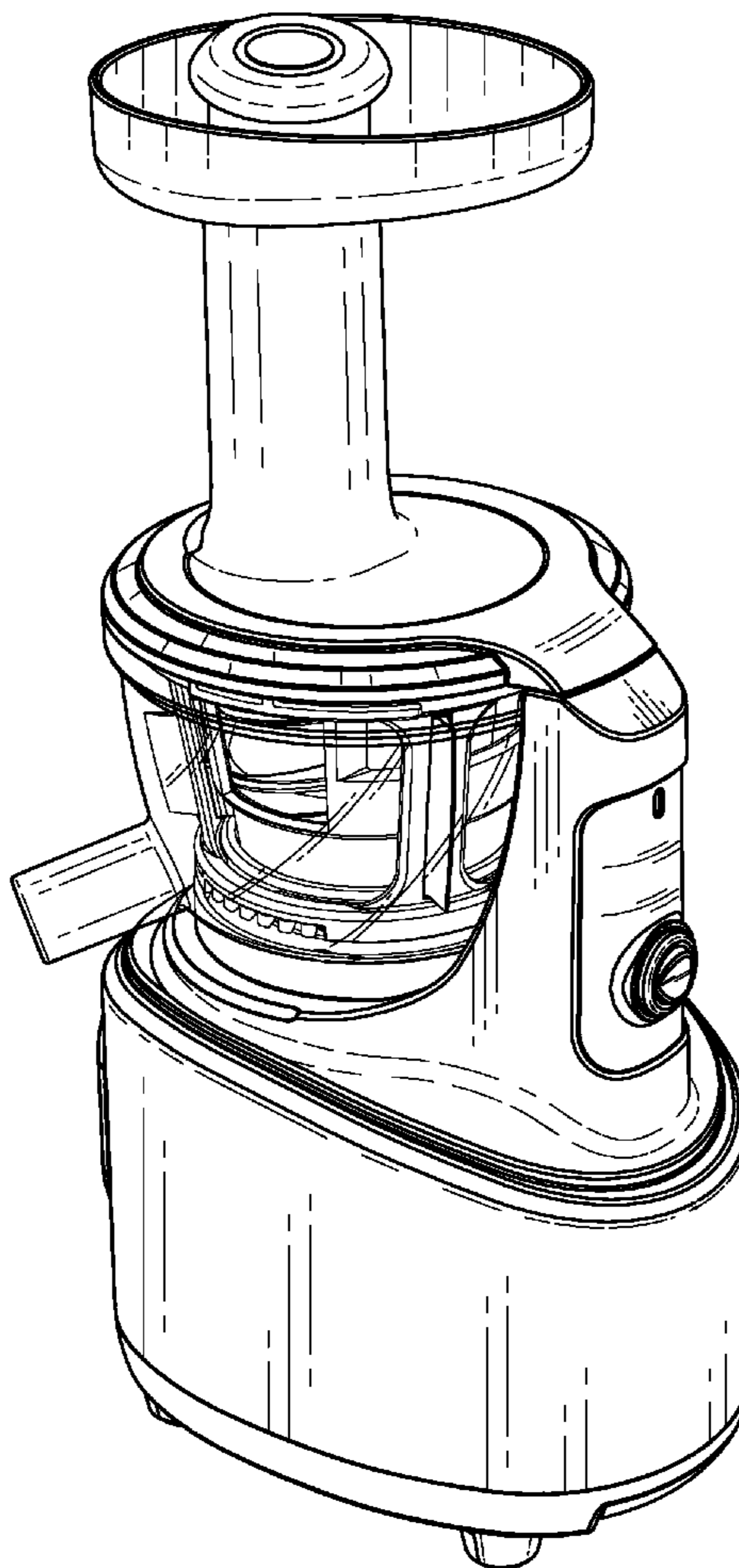


FIG 1

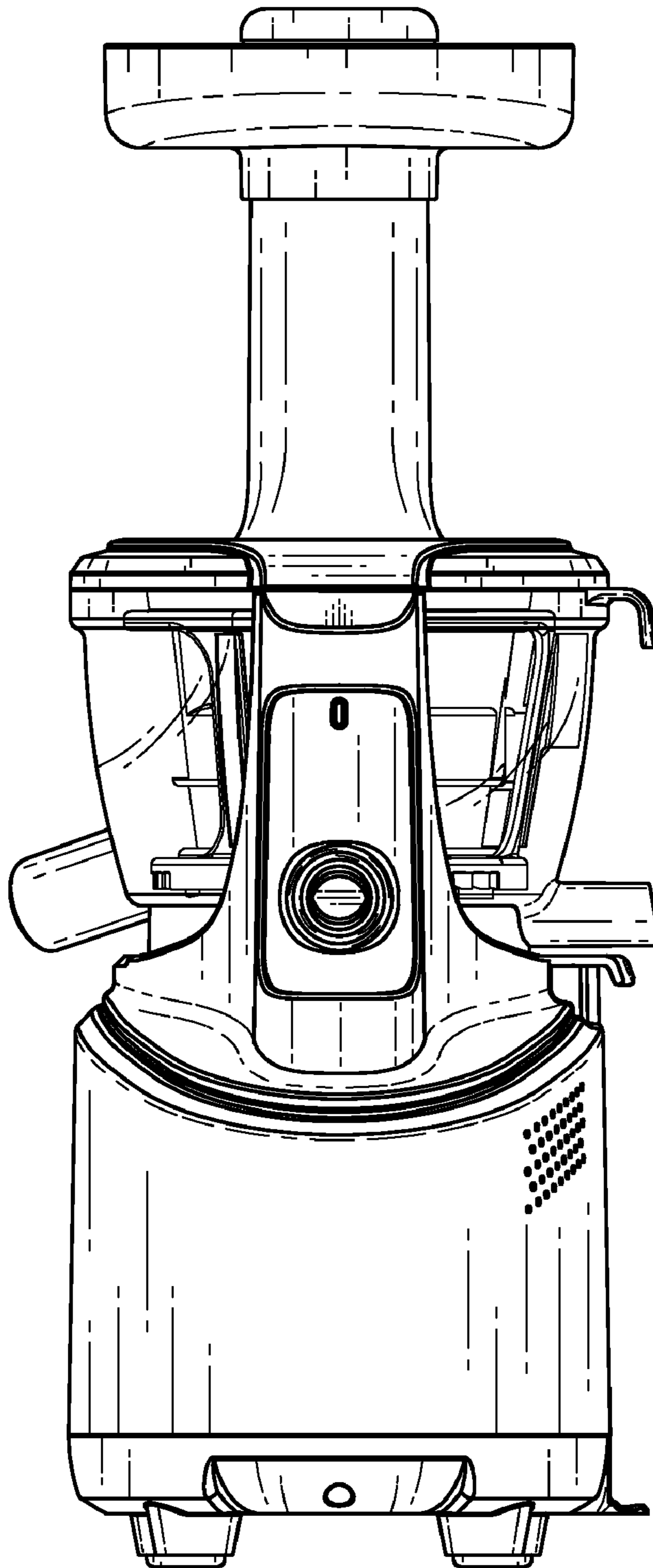


FIG 2

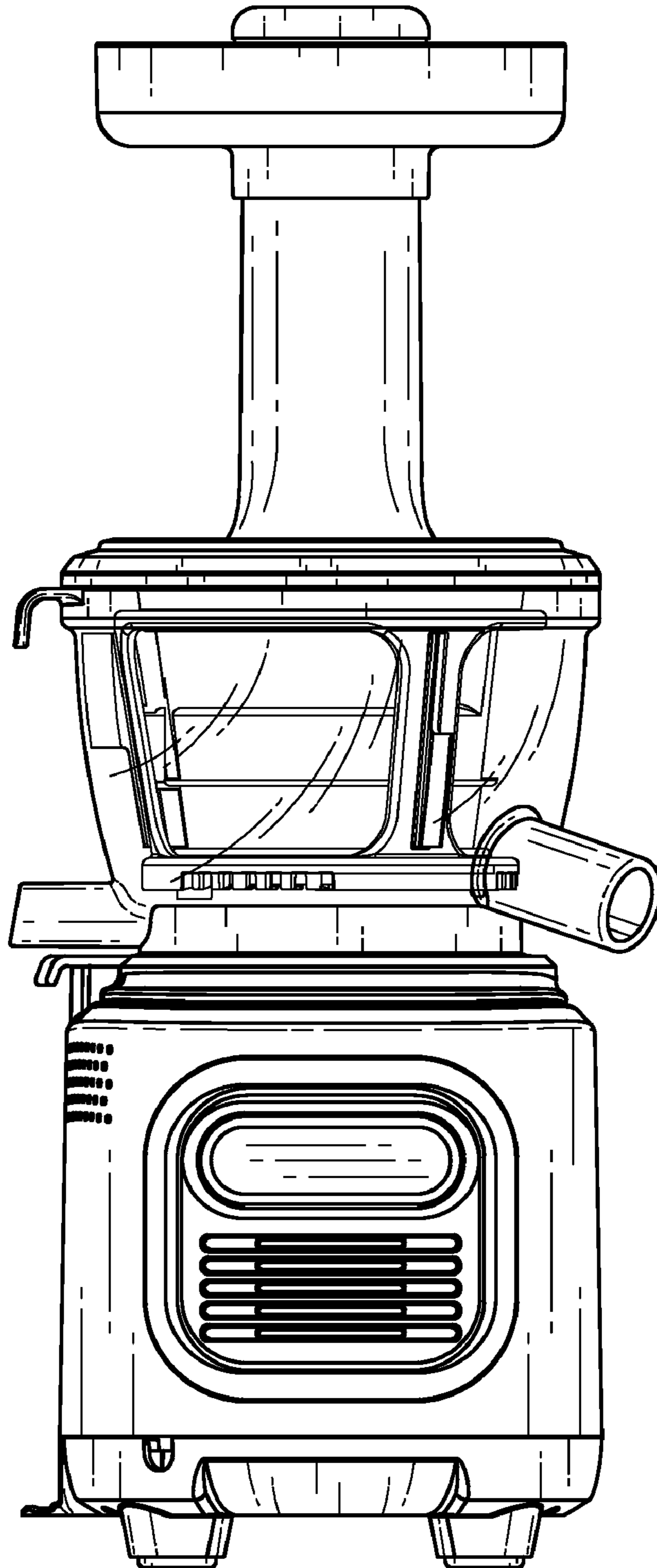


FIG 3

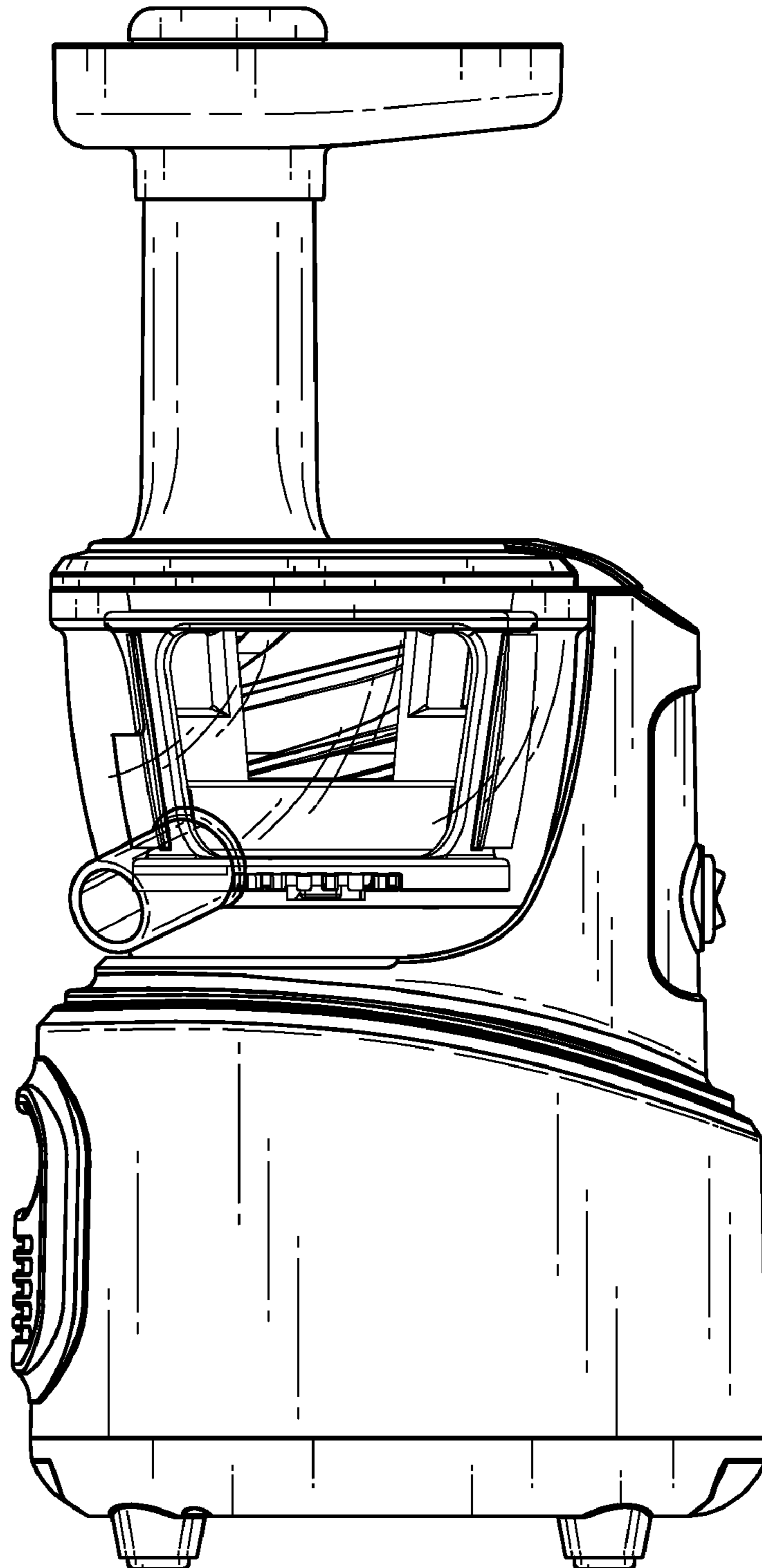


FIG 4

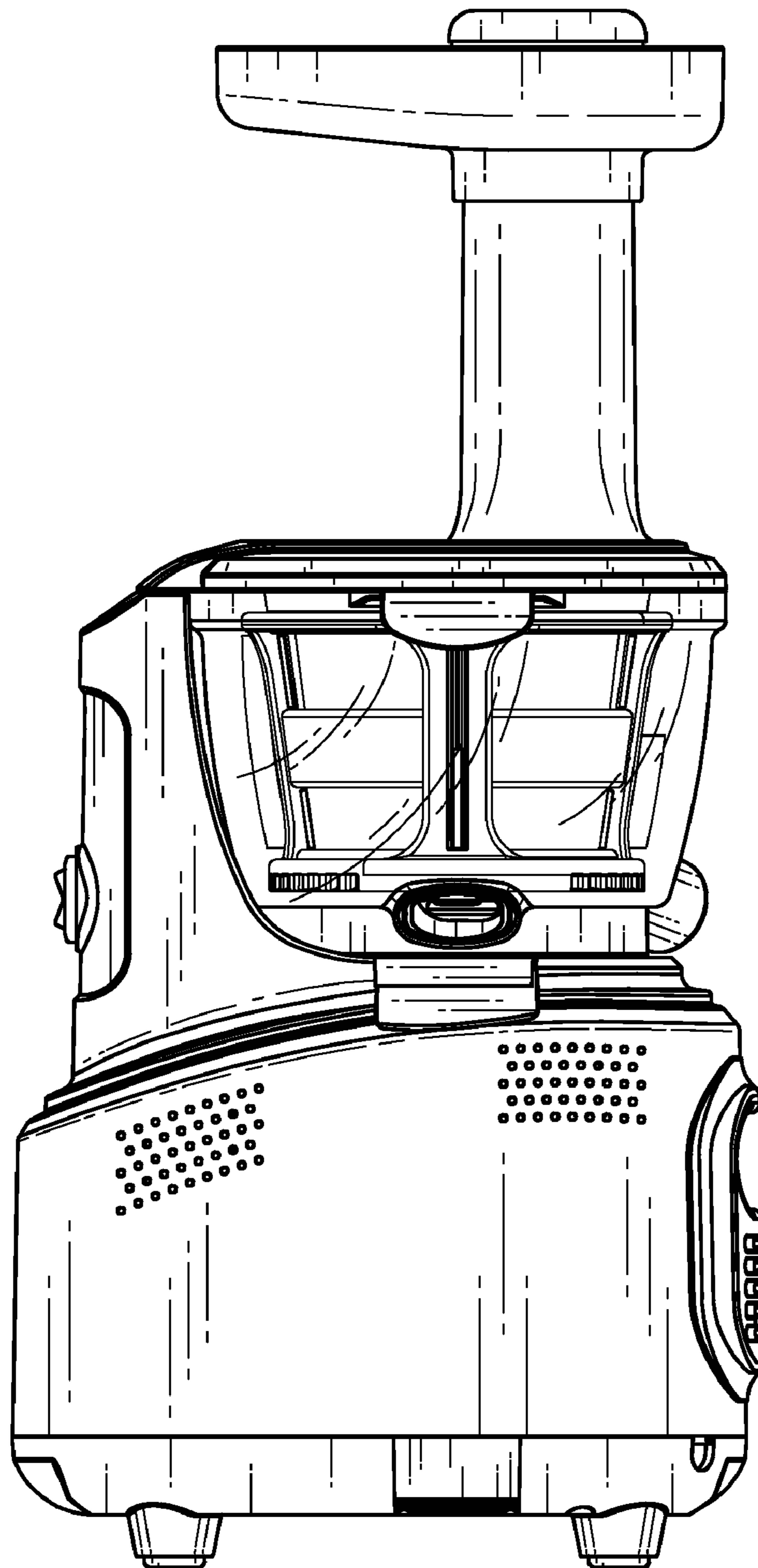


FIG 5

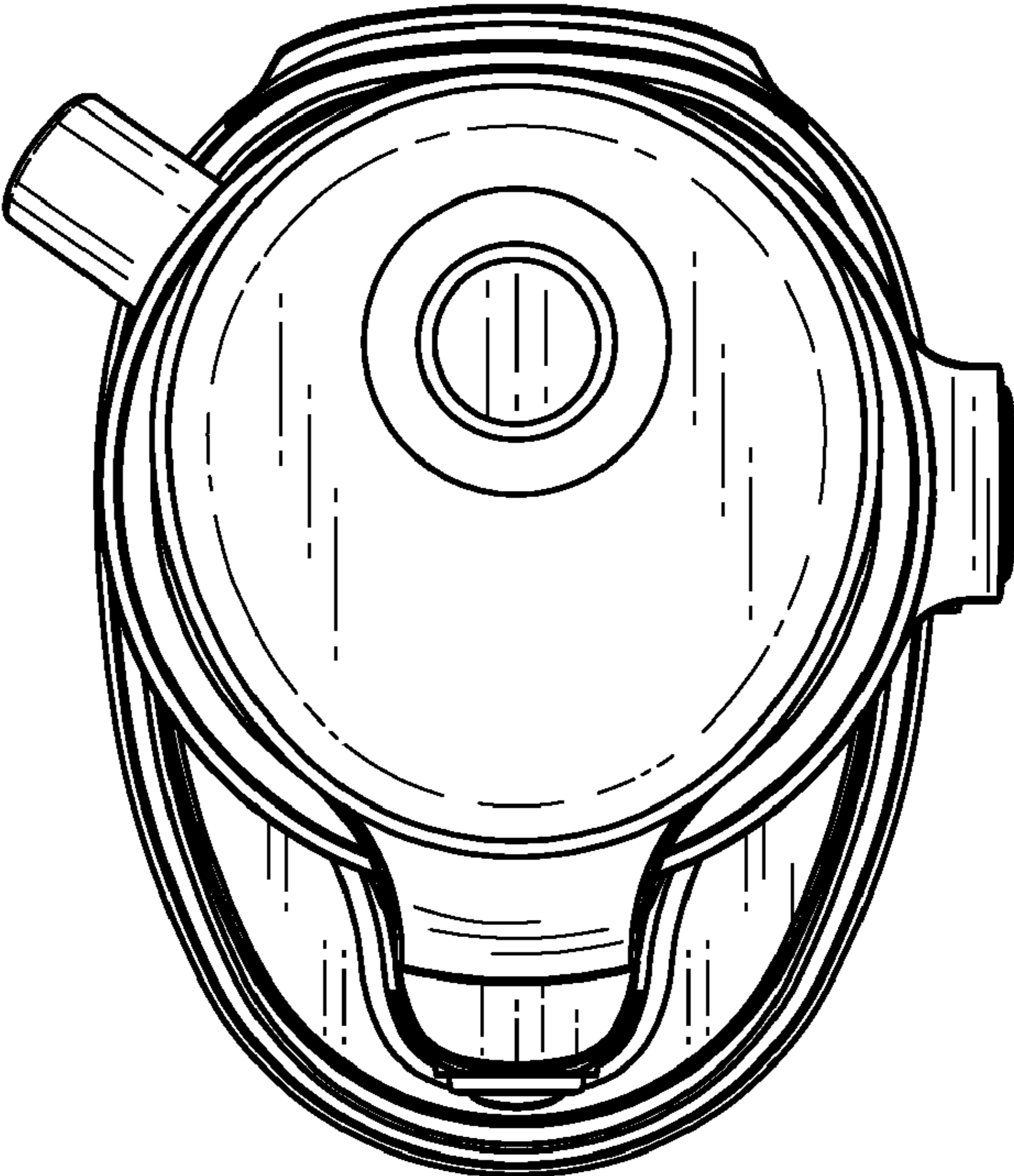


FIG 6

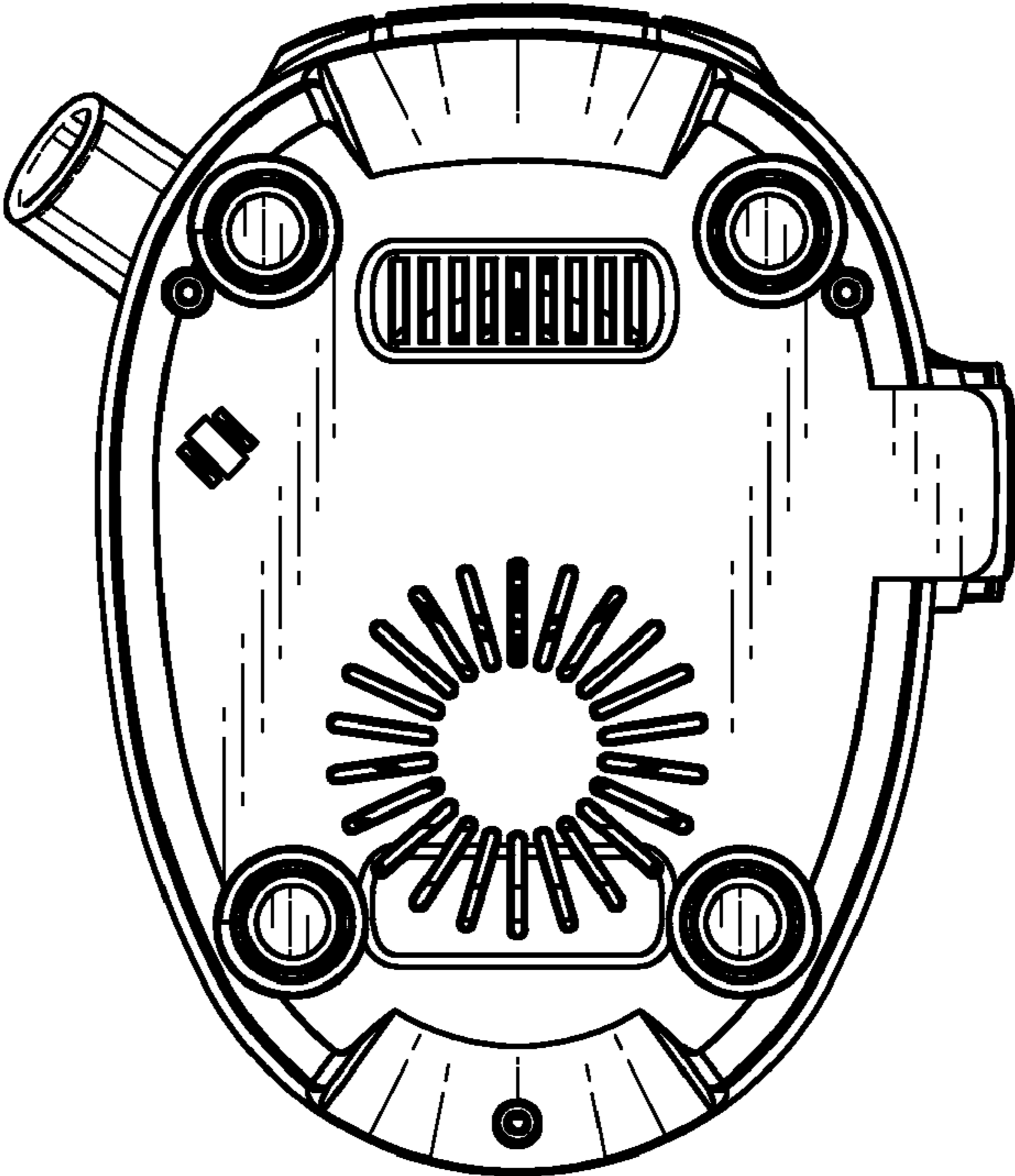


FIG 7

