



US00D643262S

(12) **United States Design Patent**
Kusanagi

(10) **Patent No.:** **US D643,262 S**

(45) **Date of Patent:** **** Aug. 16, 2011**

(54) **KNIFE BLADE**

(75) Inventor: **Ryota Kusanagi**, Kawaguchi (JP)

(73) Assignee: **Forever Co., Ltd.**, Kawaguchi-shi (JP)

(**) Term: **14 Years**

(21) Appl. No.: **29/383,777**

(22) Filed: **Jan. 21, 2011**

(51) **LOC (9) Cl.** **07-03**

(52) **U.S. Cl.** **D7/650**

(58) **Field of Classification Search** D4/138;
D7/368, 393-395, 401.2, 642-653, 669, 675-676,
D7/688-696; D8/20, 97-99, 102, 107, 300,
D8/303, 321; D22/117-118; D24/146-149;
16/110.1, 407, 430, DIG. 18; 30/136, 142-150,
30/161, 315, 329, 340-348, 353-356; 83/673,
83/835, 847; 452/102-105

See application file for complete search history.

(56) **References Cited**

U.S. PATENT DOCUMENTS

486,426	A	*	11/1892	Brooks	30/348
495,110	A	*	4/1893	Hayes et al.	30/355
D24,386	S	*	6/1895	Christy	D7/650
D48,474	S	*	1/1916	Lehrmann	D7/650
2,895,218	A	*	7/1959	Petzoldt	30/355
D302,092	S	*	7/1989	Cohen et al.	D7/650
D315,660	S	*	3/1991	Hahn	D7/650
D324,326	S	*	3/1992	Lu	D7/650
5,572,794	A	*	11/1996	Kalbern	30/353
6,044,566	A	*	4/2000	Ries et al.	30/345

D500,233	S	*	12/2004	Overthun	D7/650
D555,443	S	*	11/2007	Hunt	D8/20
D568,126	S	*	5/2008	Allem	D8/20

* cited by examiner

Primary Examiner — Ricky Pham

(74) *Attorney, Agent, or Firm* — Baker & Hostetler LLP

(57) **CLAIM**

The ornamental design for a knife blade, as shown and described.

DESCRIPTION

FIG. 1 is a perspective view of a knife blade, showing my new design;

FIG. 2 is a front view thereof;

FIG. 3 is a rear view thereof;

FIG. 4 is a left side view thereof;

FIG. 5 is a right side view thereof;

FIG. 6 is a top view thereof;

FIG. 7 is a bottom view thereof;

FIG. 8 is a perspective view thereof with several enlarged portions;

FIG. 9 is an enlarged front view thereof with an enlarged portion;

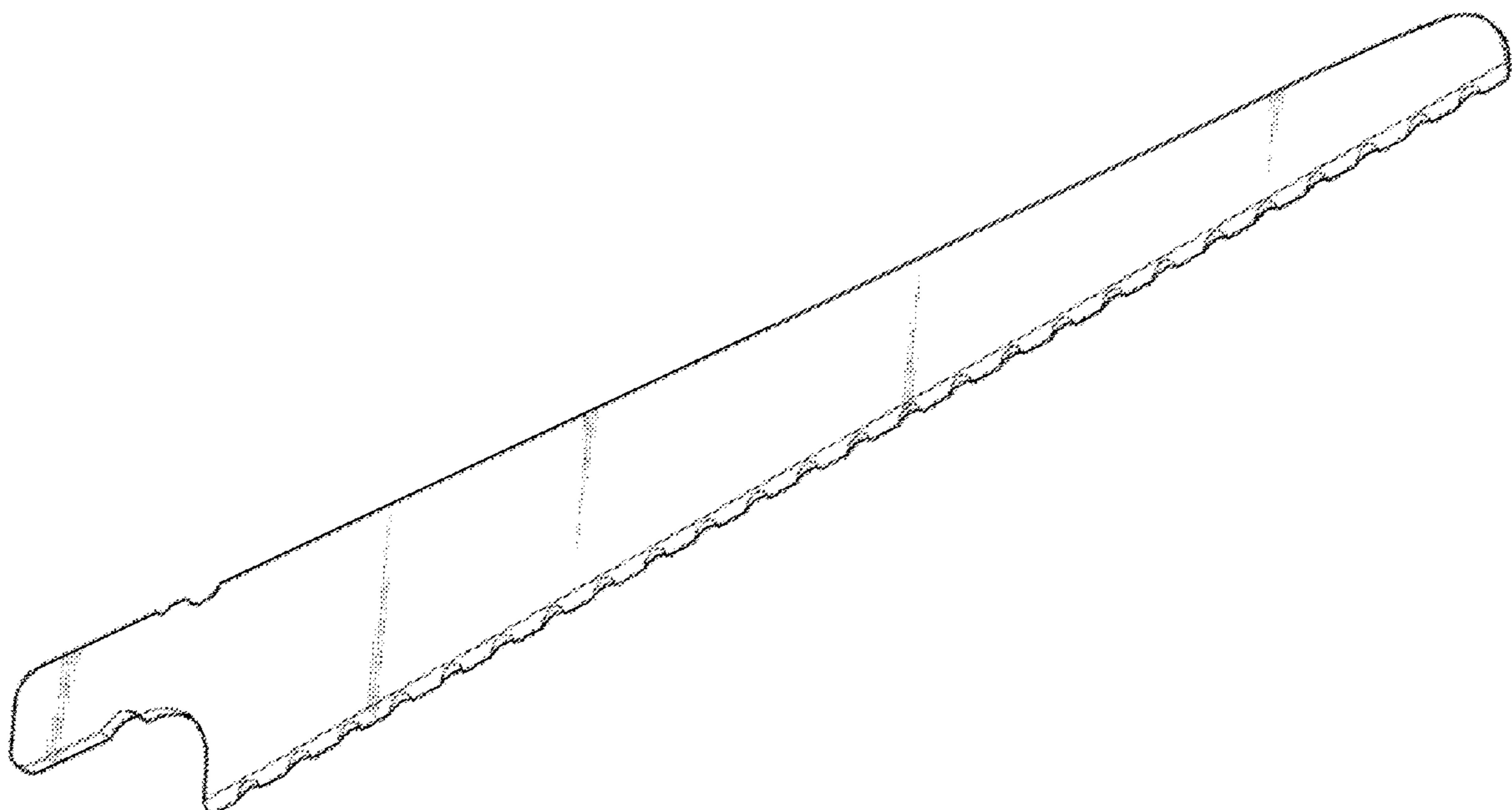
FIG. 10 is an enlarged rear view thereof;

FIG. 11 is a bottom view thereof with an enlarged portion; and,

FIG. 12 is another perspective view of the knife blade, shown attached to the handle in broken lines for completeness of illustration.

The broken line showing the handle forms no part of the claimed design.

1 Claim, 9 Drawing Sheets



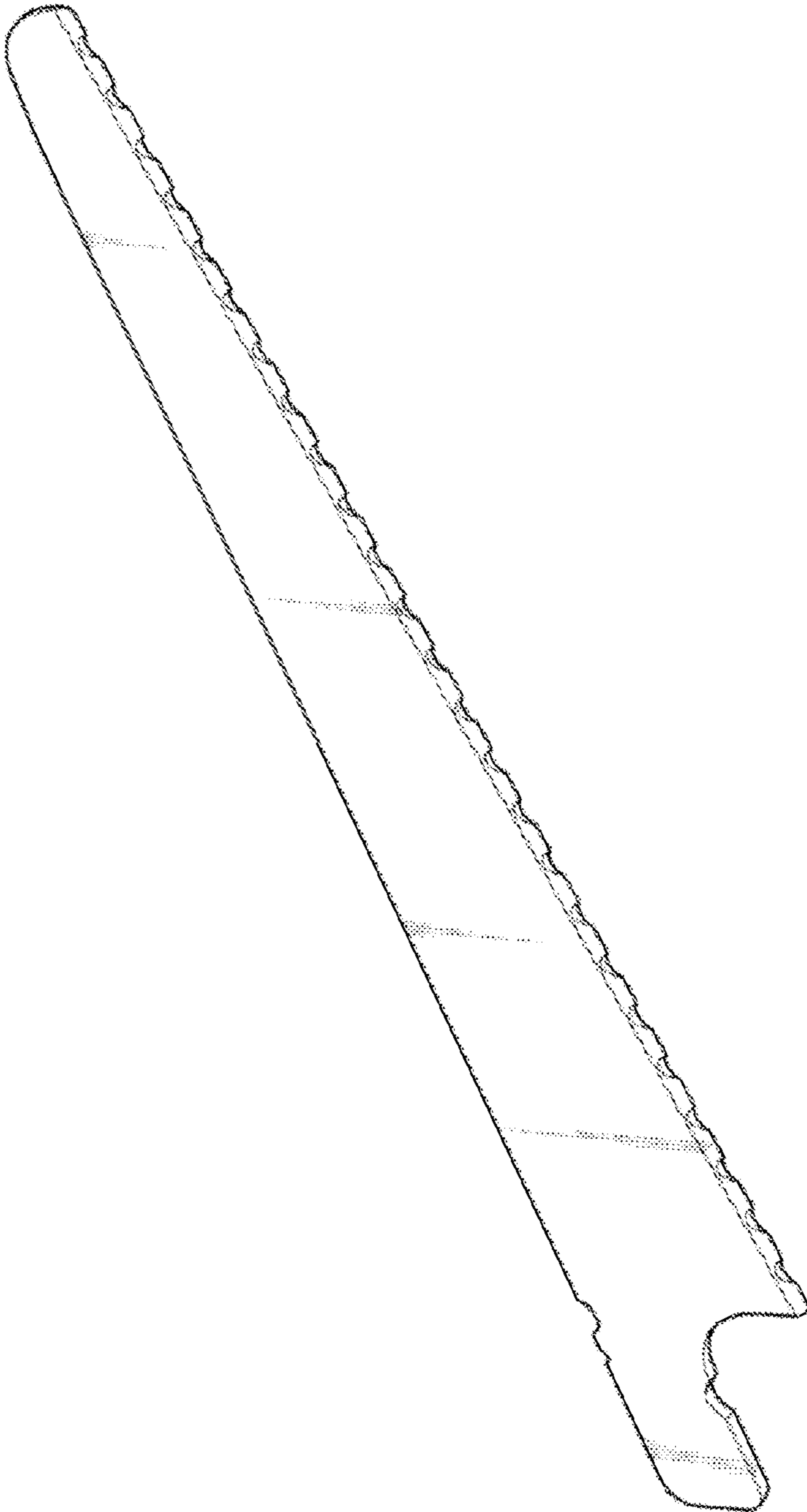


FIG. 1



FIG. 2

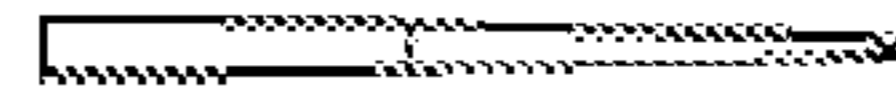


FIG. 3

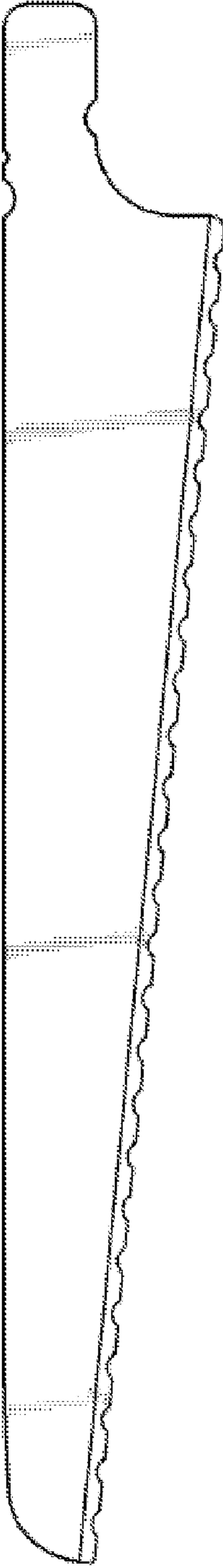


FIG. 4

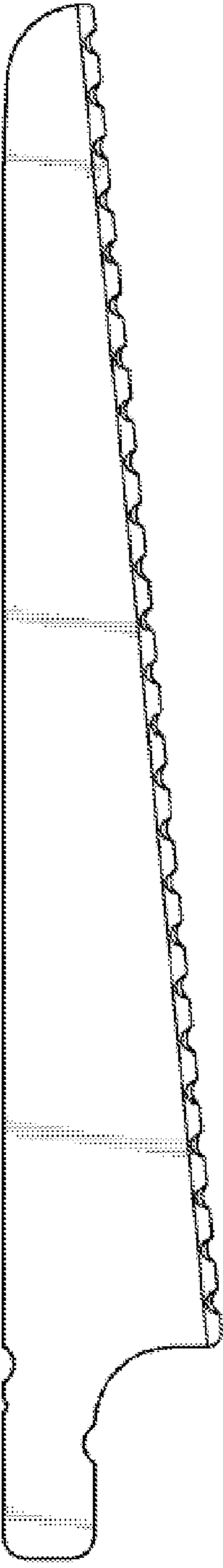


FIG. 5



FIG. 6



FIG. 7

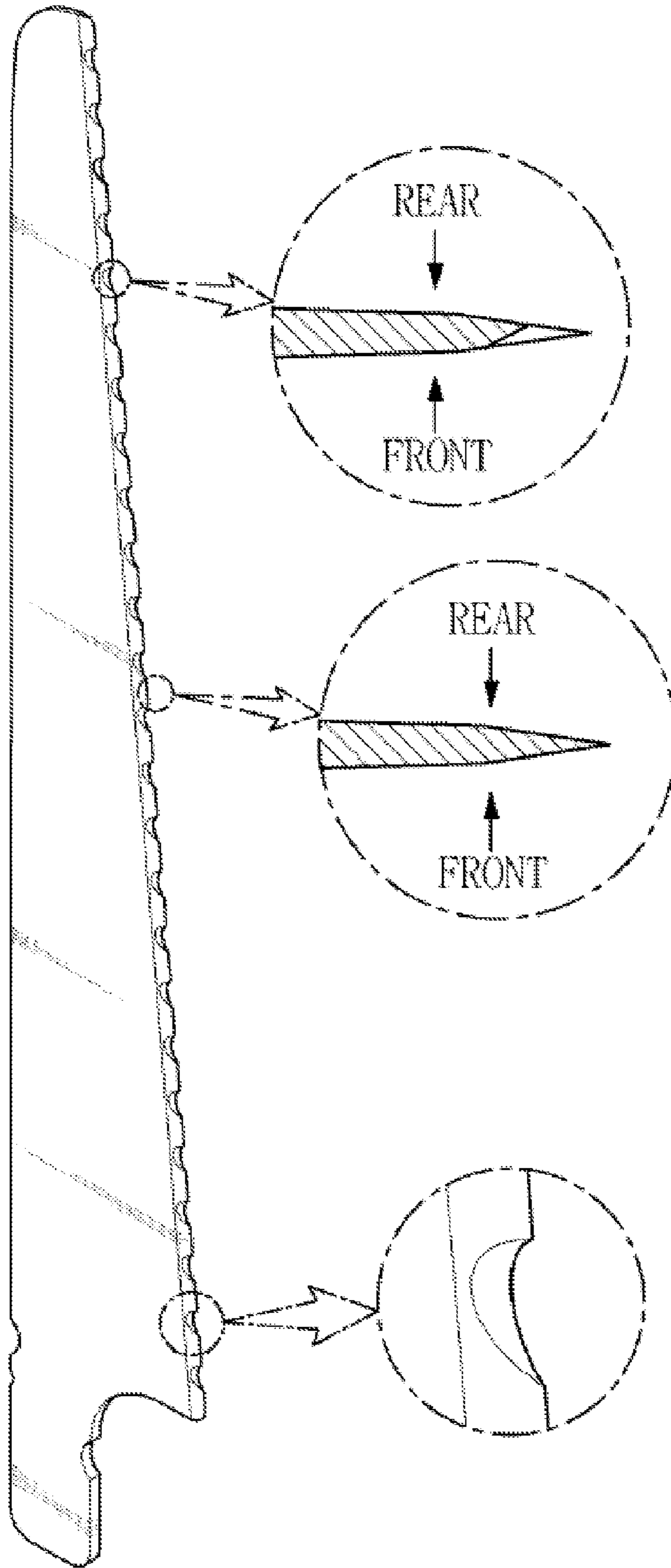


FIG. 8

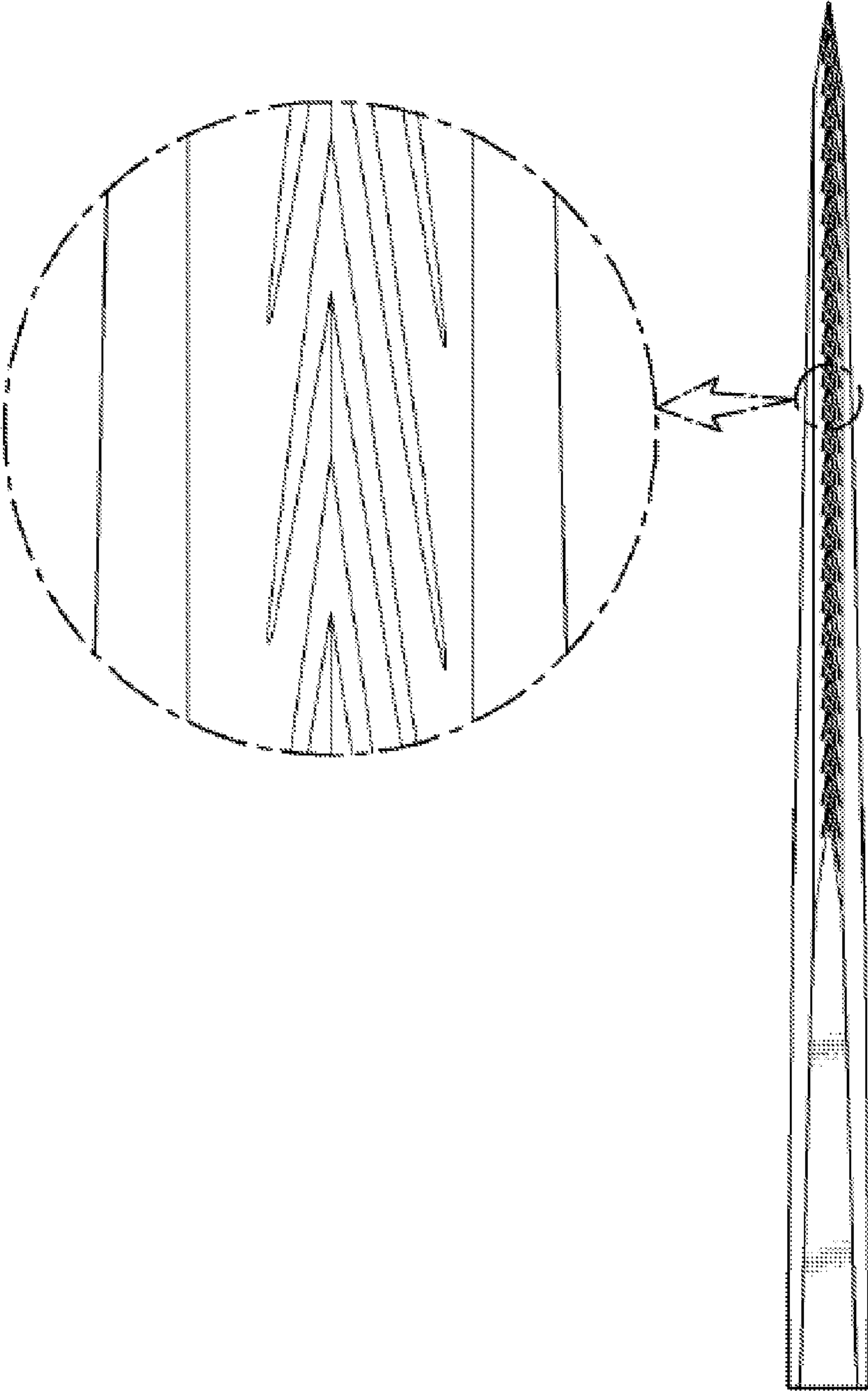


FIG. 9

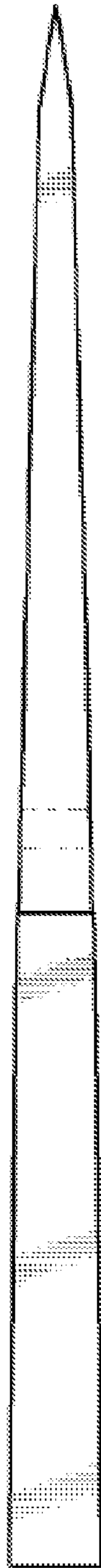


FIG. 10

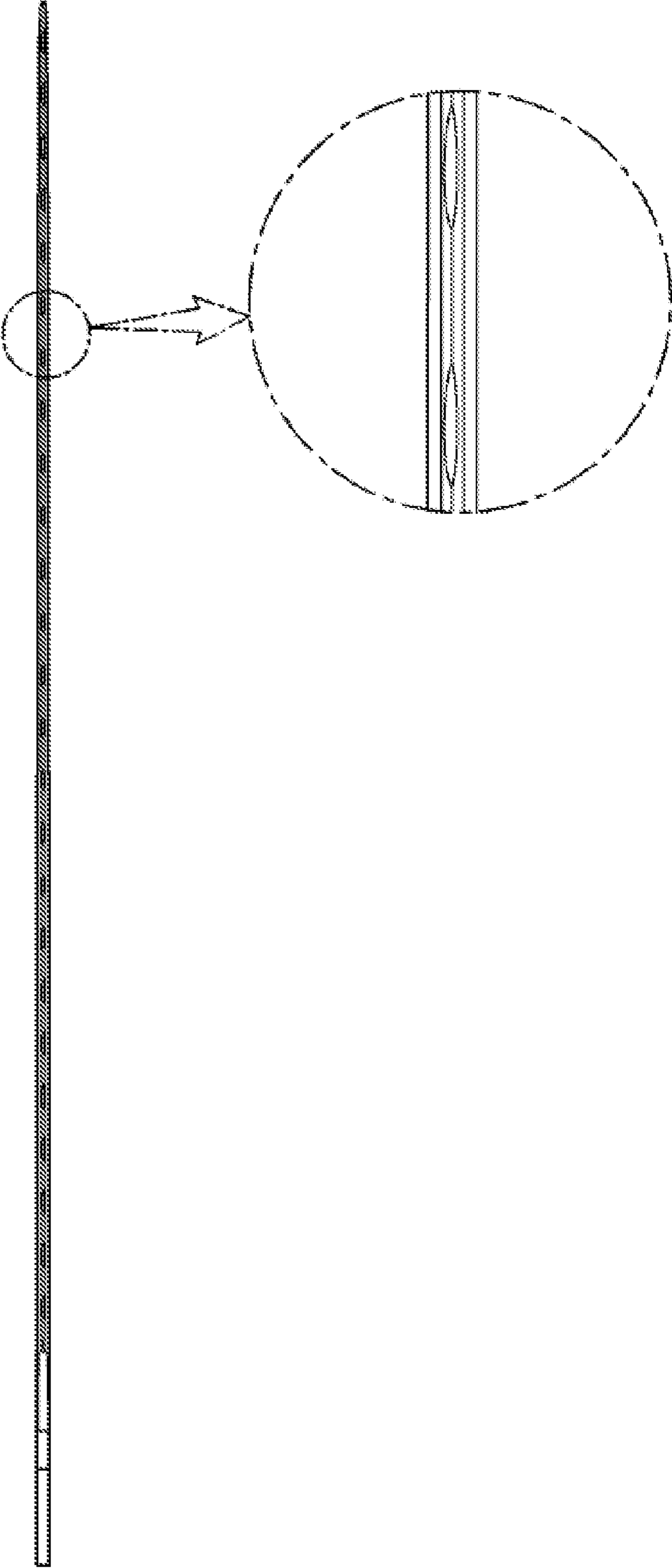


FIG. 11

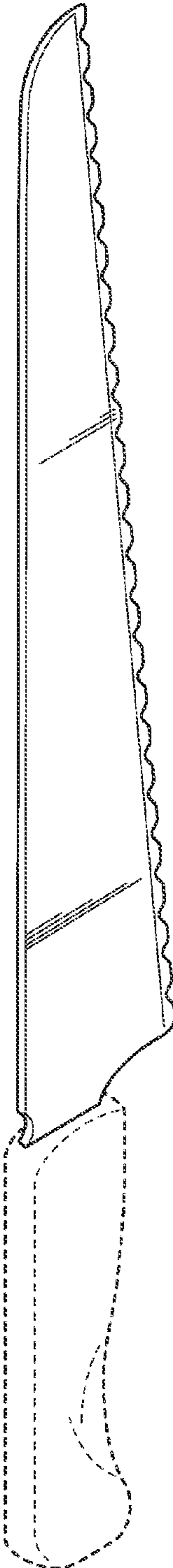


FIG. 12