



US00D643257S

(12) **United States Design Patent**
Hirai

(10) **Patent No.:** **US D643,257 S**

(45) **Date of Patent:** **** Aug. 16, 2011**

(54) **KITCHEN KNIFE BLADE**

(75) Inventor: **Akira Hirai**, Kawaguchi (JP)

(73) Assignee: **Forever Co., Ltd.**, Kawaguchi-shi (JP)

(**) Term: **14 Years**

(21) Appl. No.: **29/369,368**

(22) Filed: **Sep. 7, 2010**

(51) **LOC (9) Cl.** **07-03**

(52) **U.S. Cl.** **D7/649**

(58) **Field of Classification Search** D7/368,
D7/393-395, 401.2, 642-653, 669, 675-676,
D7/688-696; D8/20, 97-99, 102, 107, 300,
D8/303, 321; D22/117-118; D24/146-149;
16/110.1, 407, 430, DIG. 18; 30/115, 136,
30/142-150, 160-161, 315, 329, 340-348,
30/353-356; 83/673, 835, 847; 452/102-105
See application file for complete search history.

(56) **References Cited**

U.S. PATENT DOCUMENTS

D177,743 S * 5/1956 Marx D7/650
2,803,876 A * 8/1957 Nelson 30/115
D248,166 S * 6/1978 Kanai D24/147

D304,154 S * 10/1989 Osterhout D8/99
D439,806 S * 4/2001 Juhlin et al. D7/650
D442,841 S * 5/2001 Balolia D8/99
D525,088 S * 7/2006 Fort et al. D7/652
D554,949 S * 11/2007 Hood D7/650
D573,850 S * 7/2008 Curtin D7/649
D581,732 S * 12/2008 Epstein D7/401.2
D600,506 S * 9/2009 Miltner et al. D7/649

* cited by examiner

Primary Examiner — Ricky Pham

(74) *Attorney, Agent, or Firm* — Baker & Hostetler LLP

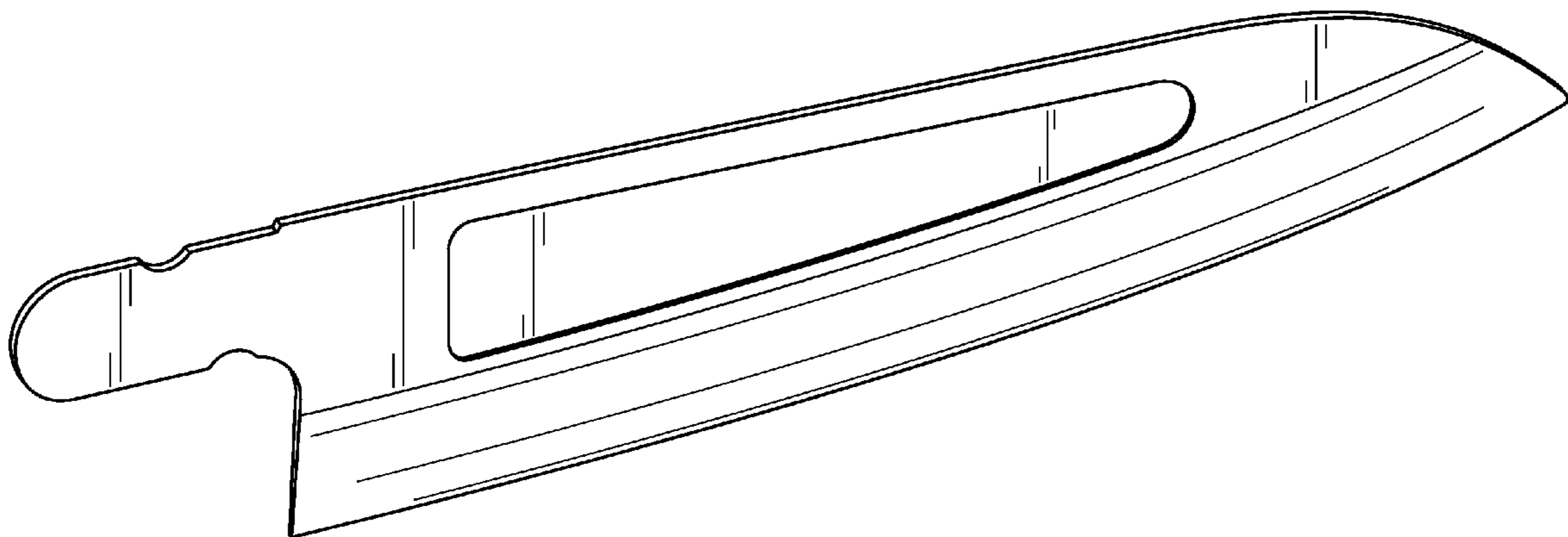
(57) **CLAIM**

The ornamental design for a kitchen knife blade, as shown and described.

DESCRIPTION

FIG. 1 is a perspective view of a kitchen knife blade, showing my new design;
FIG. 2 is a front view thereof;
FIG. 3 is a rear view thereof;
FIG. 4 is an enlarged left side view thereof;
FIG. 5 is an enlarged right side view thereof;
FIG. 6 is a top view thereof; and,
FIG. 7 is a bottom view thereof.

1 Claim, 4 Drawing Sheets



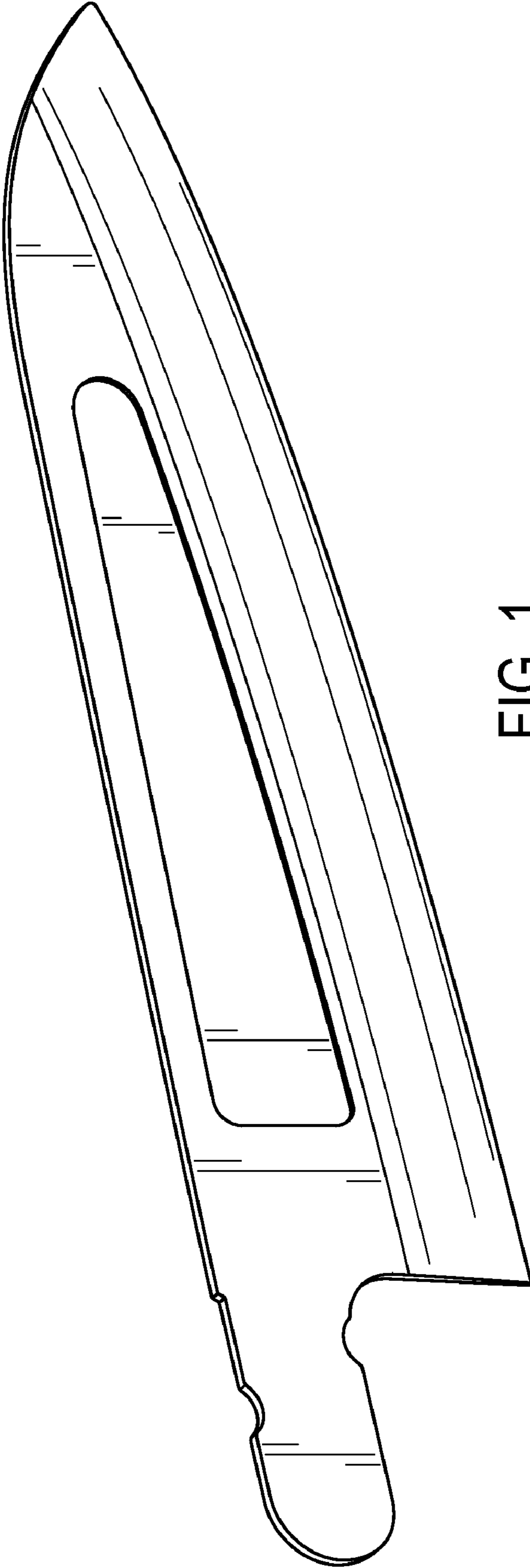


FIG. 1

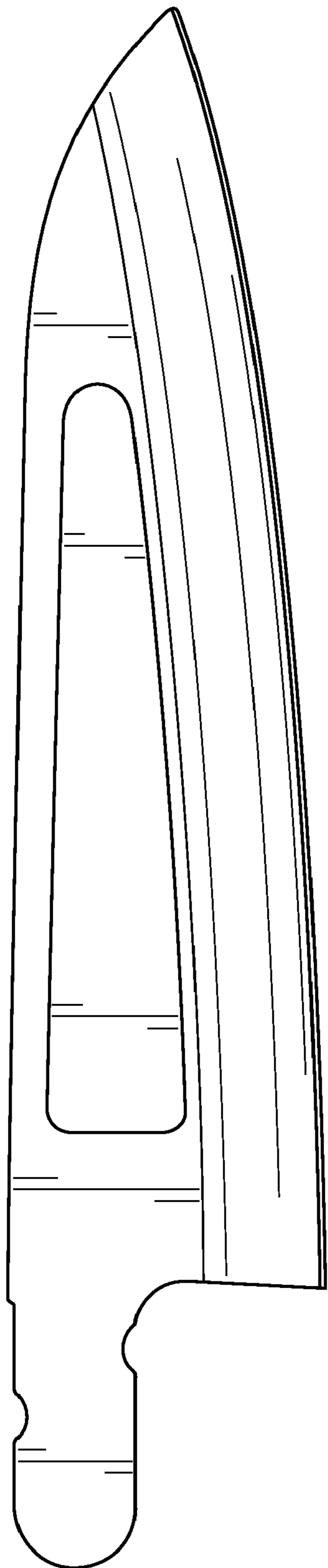


FIG. 2

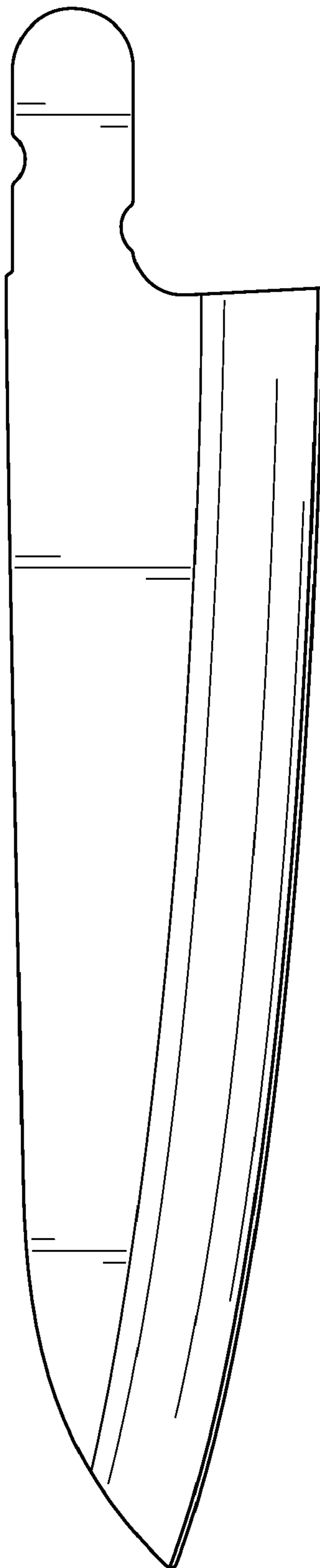


FIG. 3

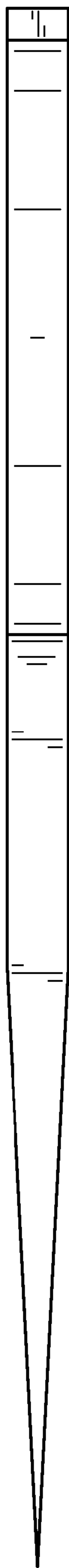


FIG. 4



FIG. 5



FIG. 6



FIG. 7