



US00D643254S

(12) **United States Design Patent**  
**Maudsley**

(10) **Patent No.:** **US D643,254 S**

(45) **Date of Patent:** **\*\* Aug. 16, 2011**

(54) **TOOTHPICK CONTAINER**

(75) Inventor: **Russell Maudsley**, Isle of Man (GB)

(73) Assignee: **PIK-SEL Limited** (IM)

(\*\*) Term: **14 Years**

(21) Appl. No.: **29/376,359**

(22) Filed: **Oct. 6, 2010**

(30) **Foreign Application Priority Data**

Sep. 21, 2010 (EM) ..... 001757592-0001

(51) **LOC (9) Cl.** ..... **07-99**

(52) **U.S. Cl.** ..... **D7/636; D9/756**

(58) **Field of Classification Search** ..... D7/635,  
D7/636; D3/201, 273, 274; D28/65; D9/756;  
294/1.1; 206/370, 37, 38, 83, 443, 380, 104;  
132/321, 328, 329

See application file for complete search history.

(56) **References Cited**

**U.S. PATENT DOCUMENTS**

2,760,628 A \* 8/1956 Briggs ..... 206/104  
2,762,501 A \* 9/1956 Cameron ..... 206/104

D274,693 S \* 7/1984 Cruz ..... D9/756  
D306,235 S \* 2/1990 Tamamura ..... D7/637  
D316,934 S \* 5/1991 Stanfield ..... D3/282  
5,181,755 A \* 1/1993 Stanwich et al. .... 294/1.1  
5,415,276 A \* 5/1995 Welton ..... 206/104  
5,855,215 A 1/1999 Clarke

\* cited by examiner

*Primary Examiner* — Terry Wallace

(74) *Attorney, Agent, or Firm* — Reising Ethington P.C.

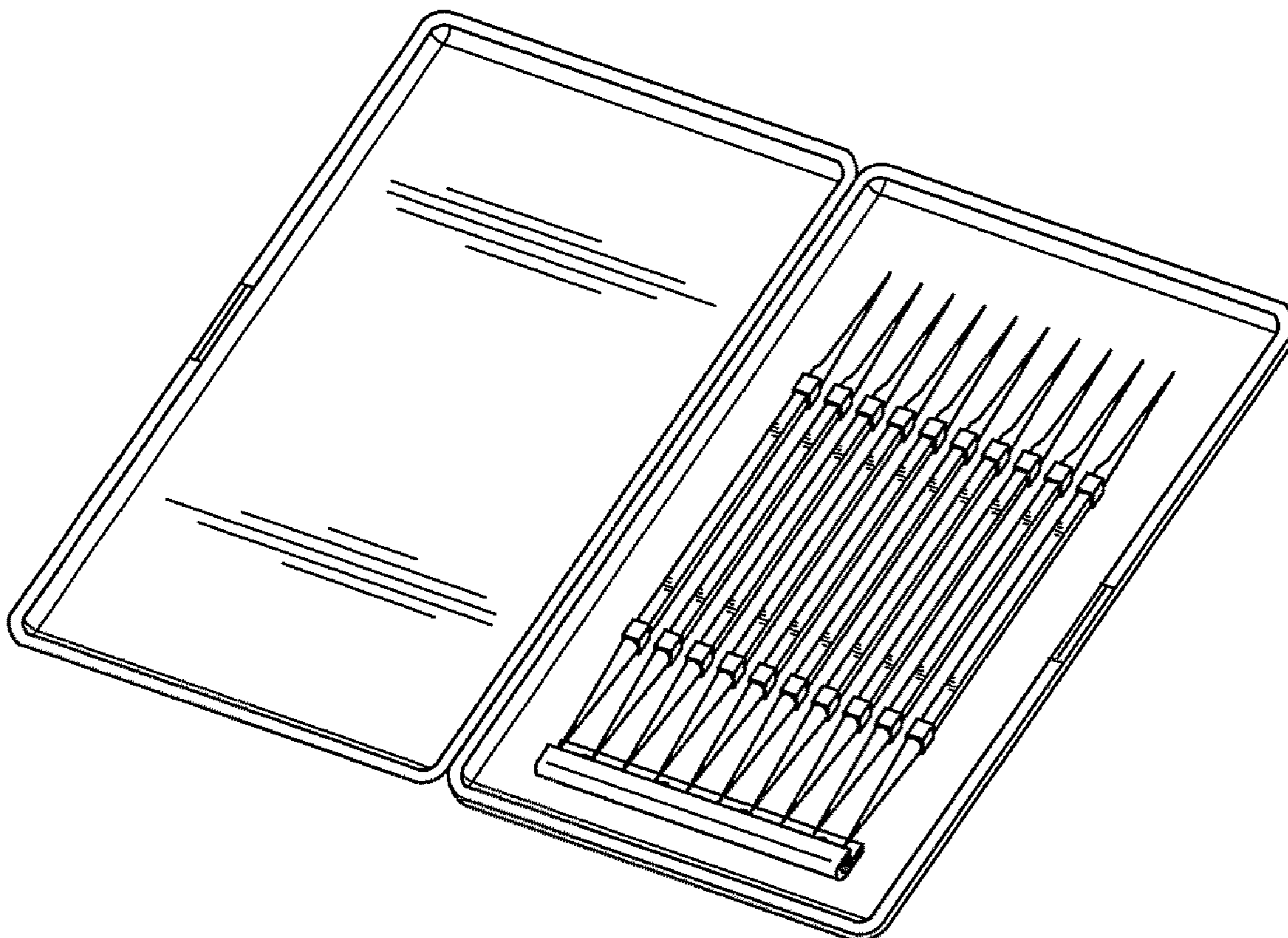
(57) **CLAIM**

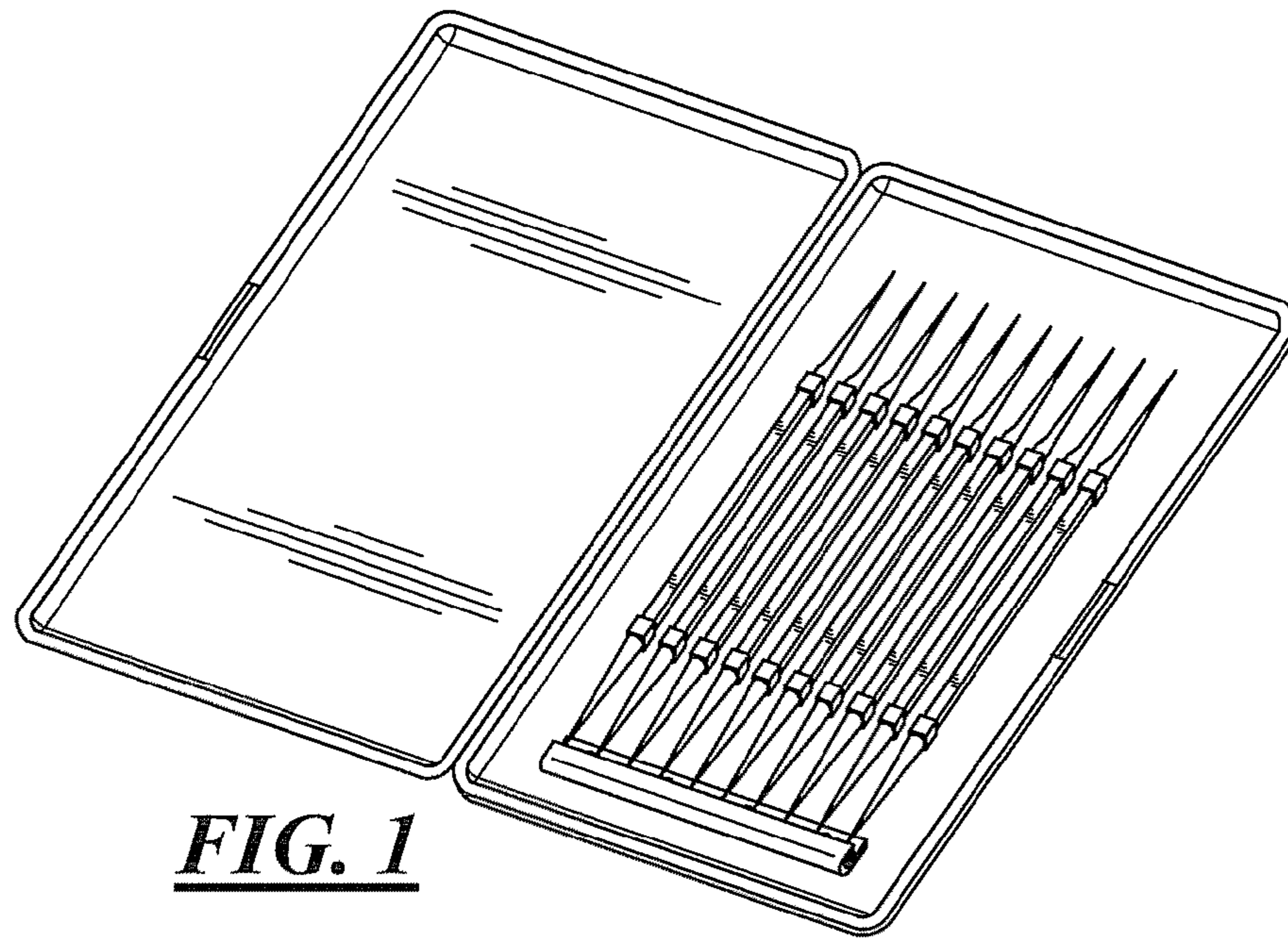
The ornamental design for a toothpick container, as shown and described.

**DESCRIPTION**

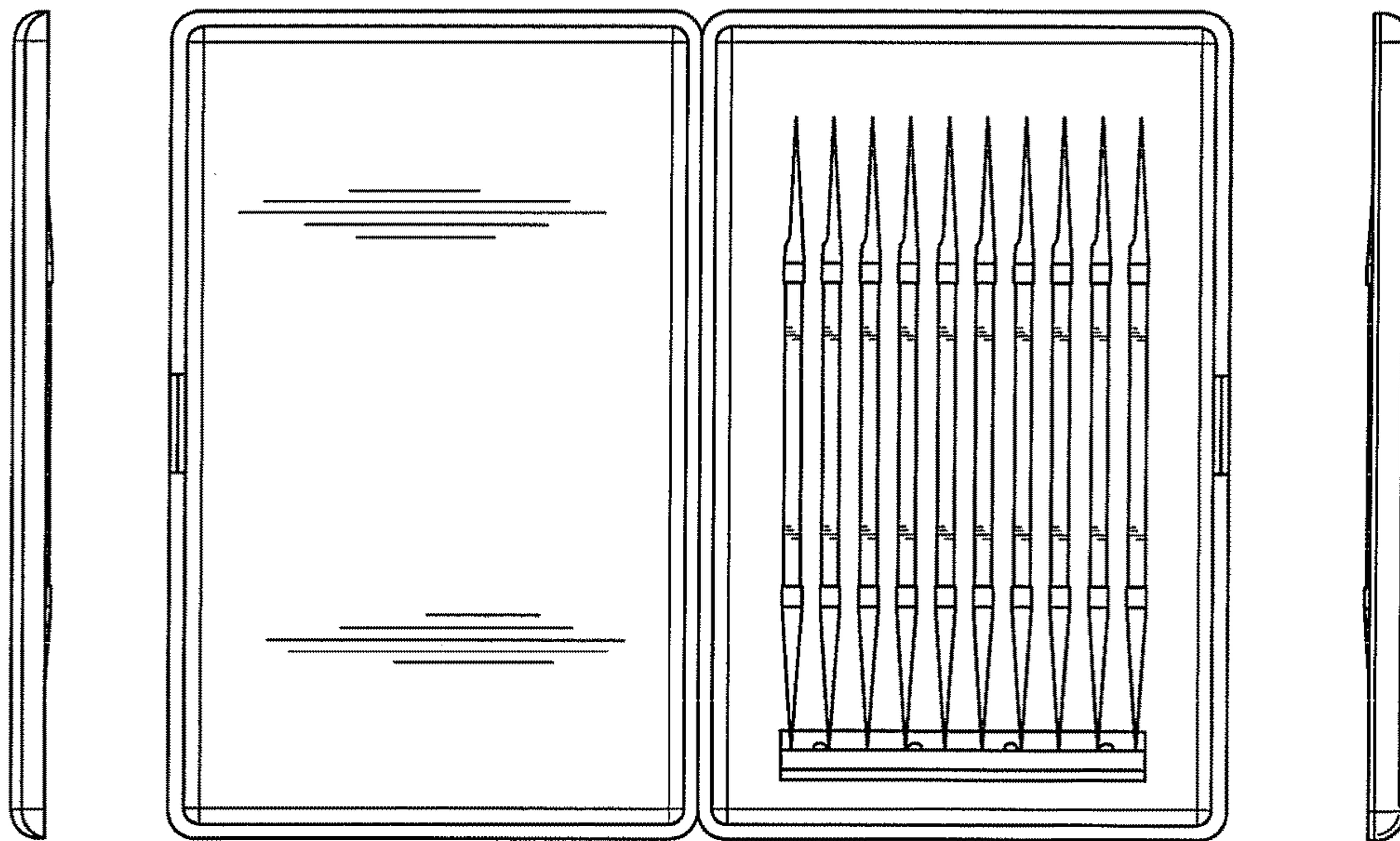
FIG. 1 is a perspective view of the toothpick container shown in an open position and showing the inside of the container; FIG. 2 is a top view of the toothpick container; FIG. 3 is a front view of the toothpick container, the rear view being a mirror image of the front view; FIG. 4 is a left side view of the toothpick container; FIG. 5 is a right side view of the toothpick container; FIG. 6 is a bottom view of the toothpick container; and, FIG. 7 is a perspective view of the toothpick container shown in a closed position.

**1 Claim, 2 Drawing Sheets**





**FIG. 1**



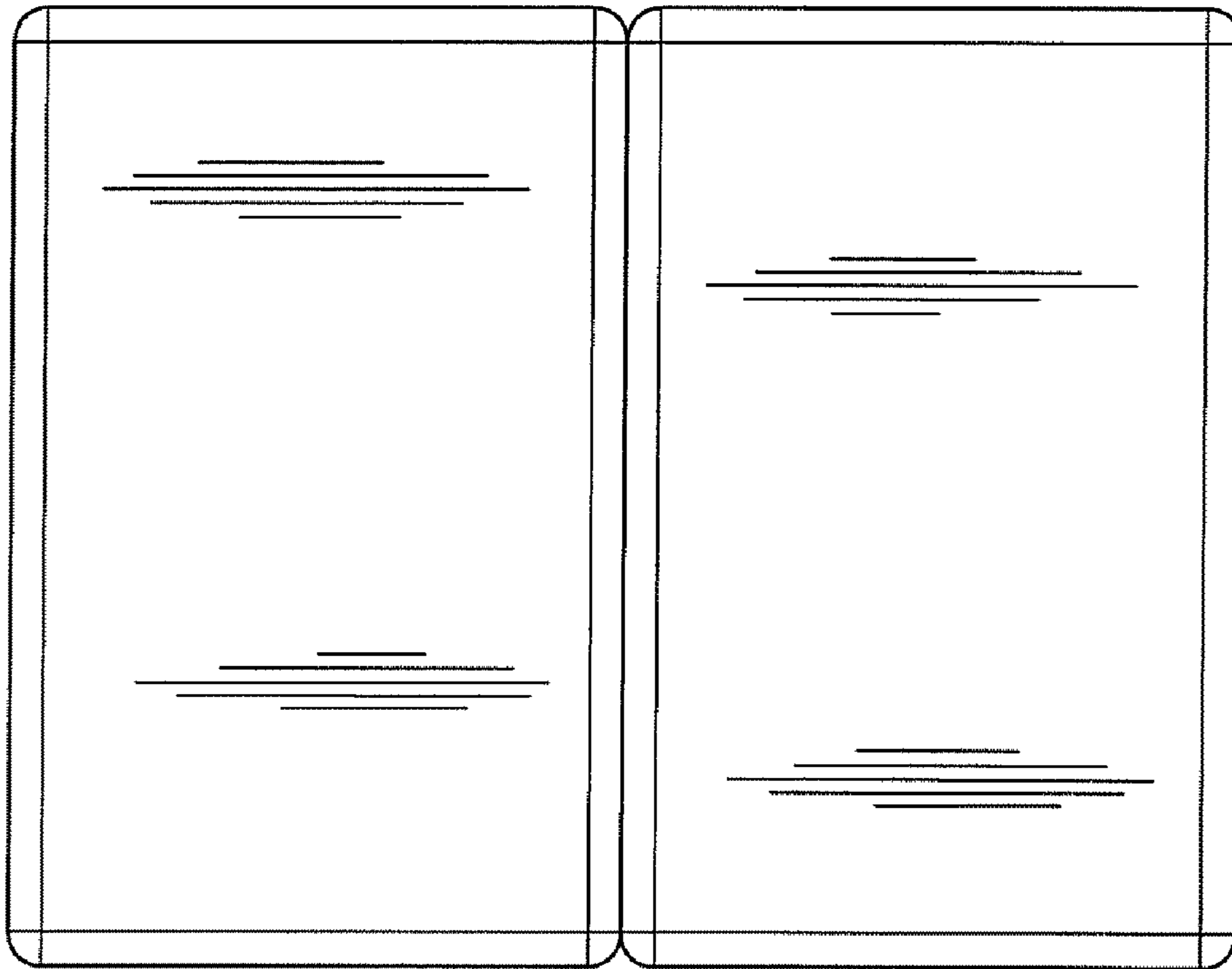
**FIG. 4**

**FIG. 2**

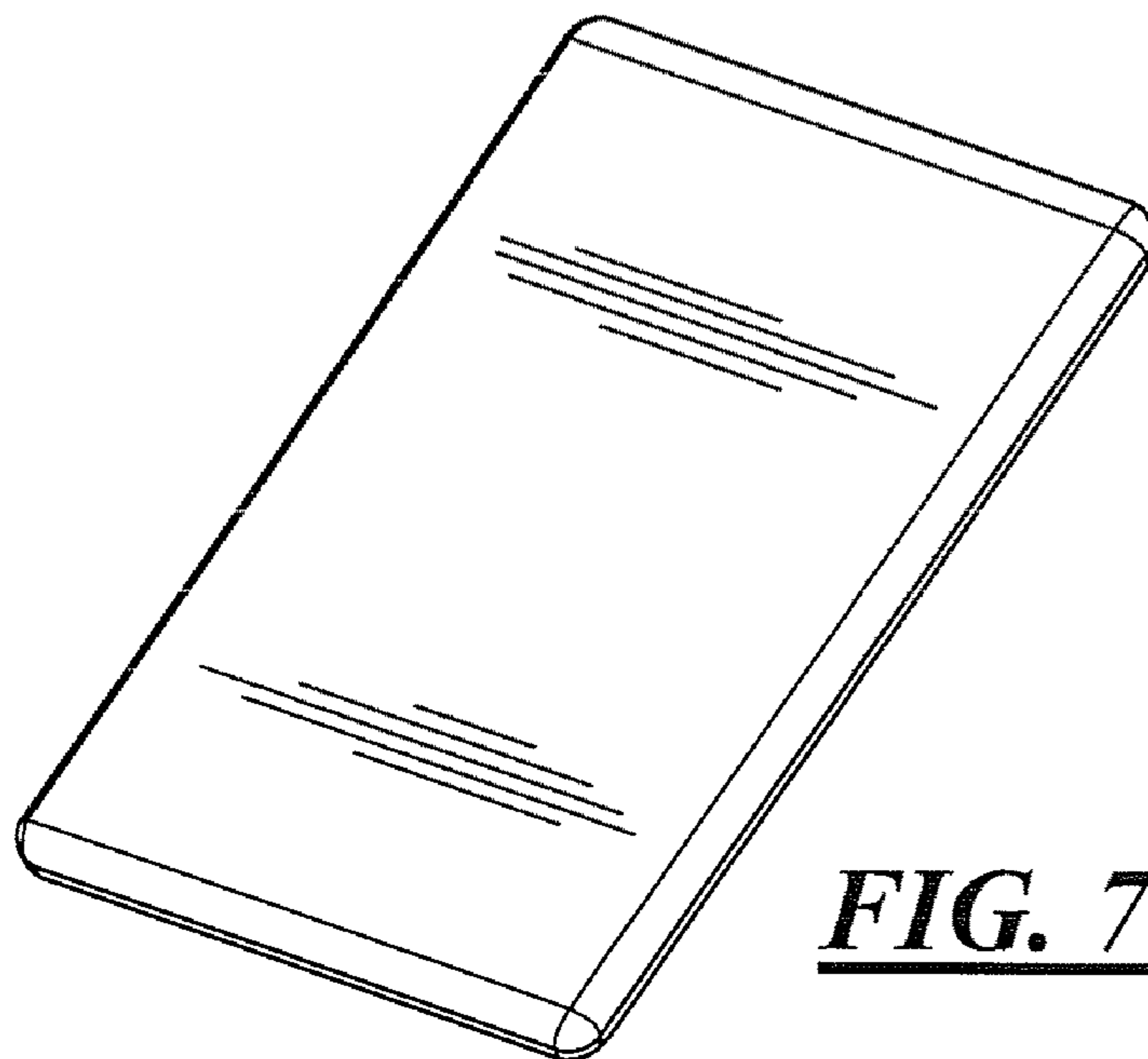
**FIG. 5**



**FIG. 3**



**FIG. 6**



**FIG. 7**