



US00D643253S

(12) **United States Design Patent**
Cilmi

(10) **Patent No.:** **US D643,253 S**

(45) **Date of Patent:** **** Aug. 16, 2011**

(54) **BEACH CUP HOLDER**

(75) Inventor: **Jeanne Cilmi**, Huntington Station, NY
(US)

(73) Assignee: **Jeanne Cilmi**, Huntington Station, NY
(US)

(**) Term: **14 Years**

(21) Appl. No.: **29/334,764**

(22) Filed: **Apr. 1, 2009**

(51) **LOC (9) Cl.** **07-01**

(52) **U.S. Cl.** **D7/620**

(58) **Field of Classification Search** D7/619.1-625,
D7/605-608; 220/902, 903, 737, 739; 248/146,
248/156, 87, 153; D6/417; 211/74; 215/392,
215/393, 395; 47/47, 41.14

See application file for complete search history.

(56) **References Cited**

U.S. PATENT DOCUMENTS

2,520,818 A * 8/1950 Terry 248/153
3,767,355 A * 10/1973 Anderson, Jr. 431/295

4,659,049 A * 4/1987 Watson 248/346.11
5,294,083 A * 3/1994 Roth 248/146
D366,600 S * 1/1996 Laskowski et al. D7/620
5,570,863 A * 11/1996 Cooper 248/146
D396,383 S * 7/1998 Hanson D7/620
D549,525 S * 8/2007 Kozel et al. D7/620
7,516,931 B2 * 4/2009 Sarullo 248/311.2

* cited by examiner

Primary Examiner — Terry Wallace

(74) *Attorney, Agent, or Firm* — Limin Wen

(57) **CLAIM**

The ornamental design for the beach cup holder, as shown and described.

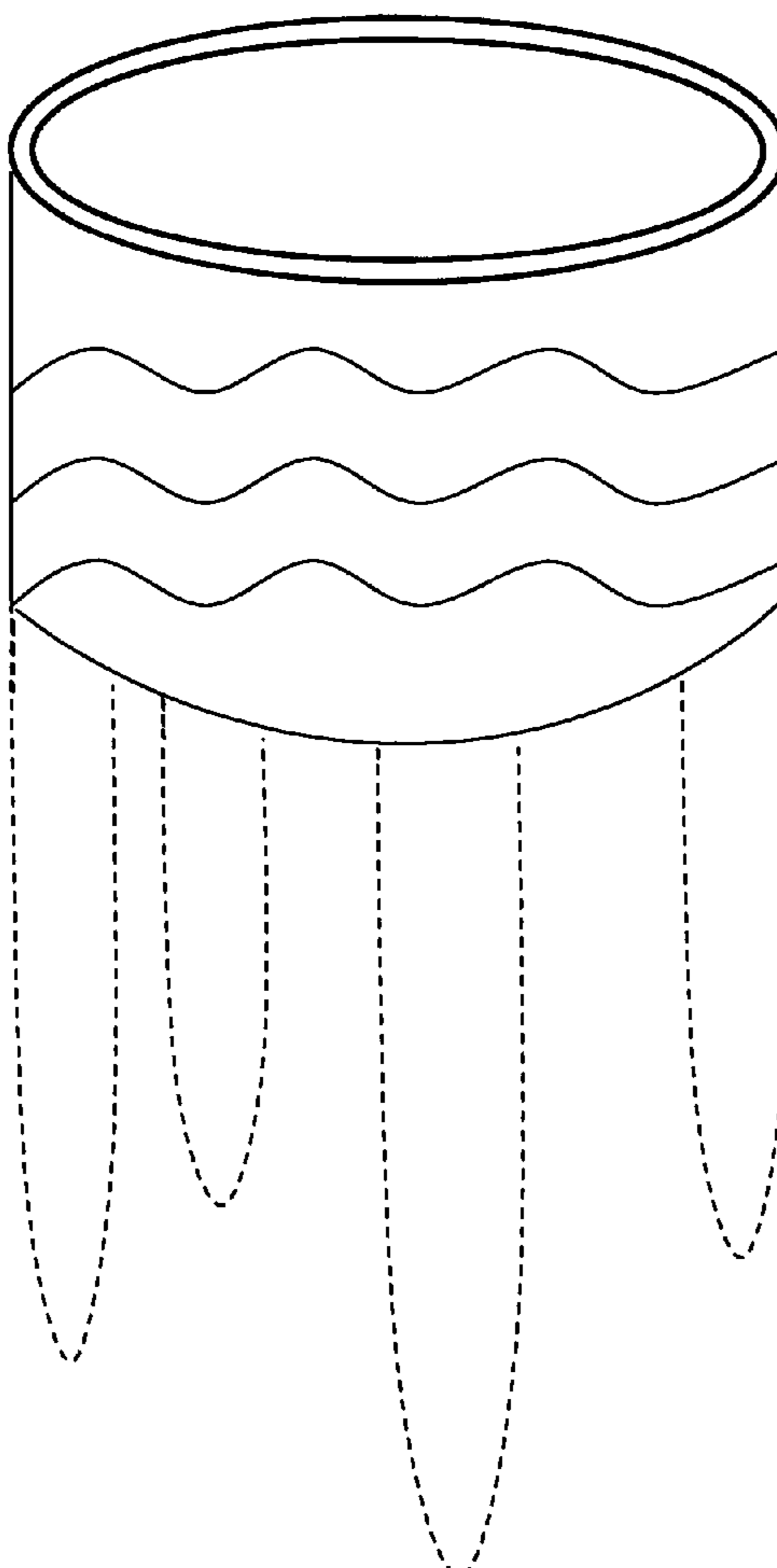
DESCRIPTION

FIG. 1 is a perspective view of the beach cup holder showing my new design; and,

FIG. 2 is a top plan view thereof.

The broken lines are for illustrative purposes only and form no part of the claimed design.

1 Claim, 2 Drawing Sheets



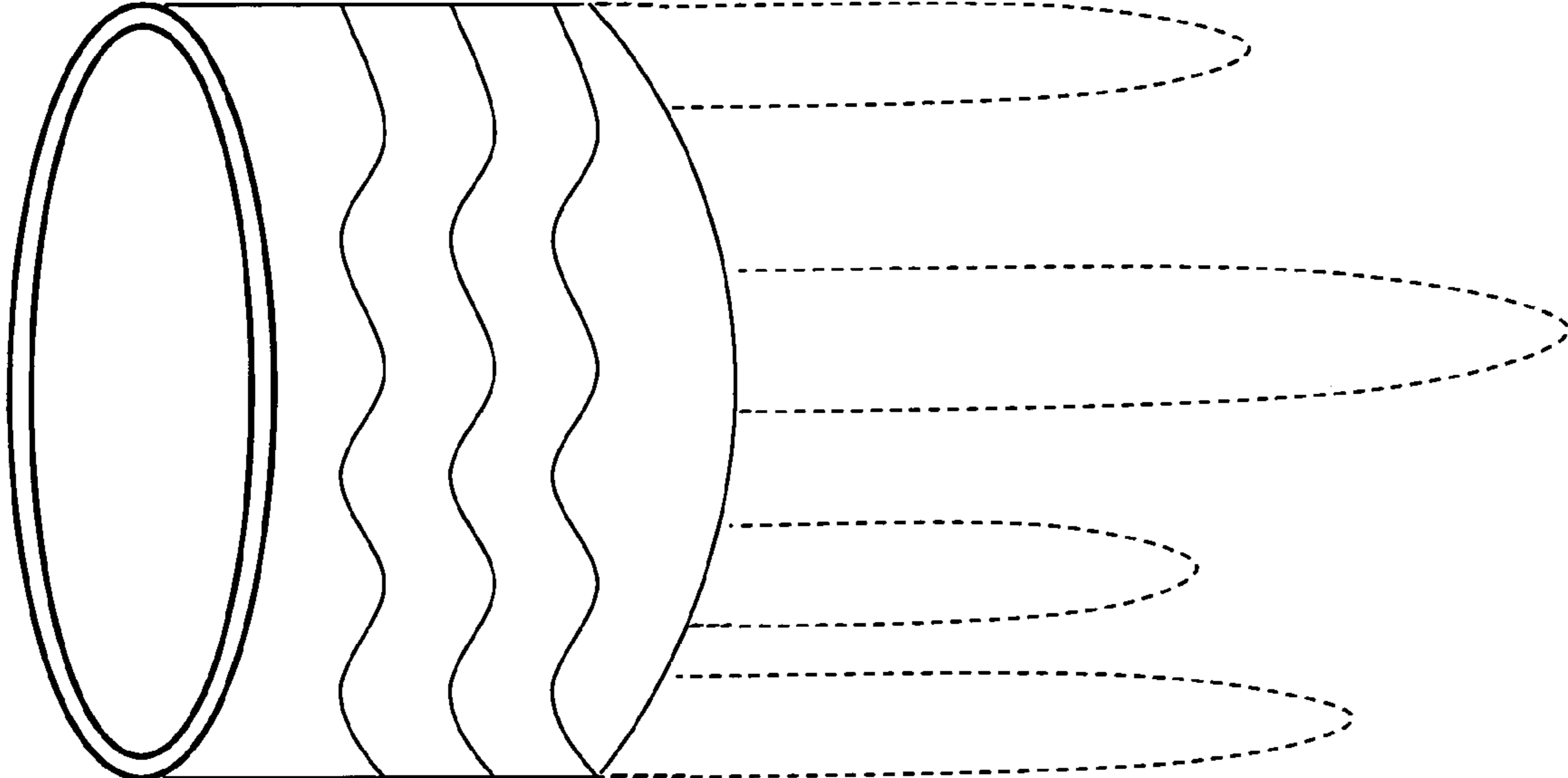


FIG. 1

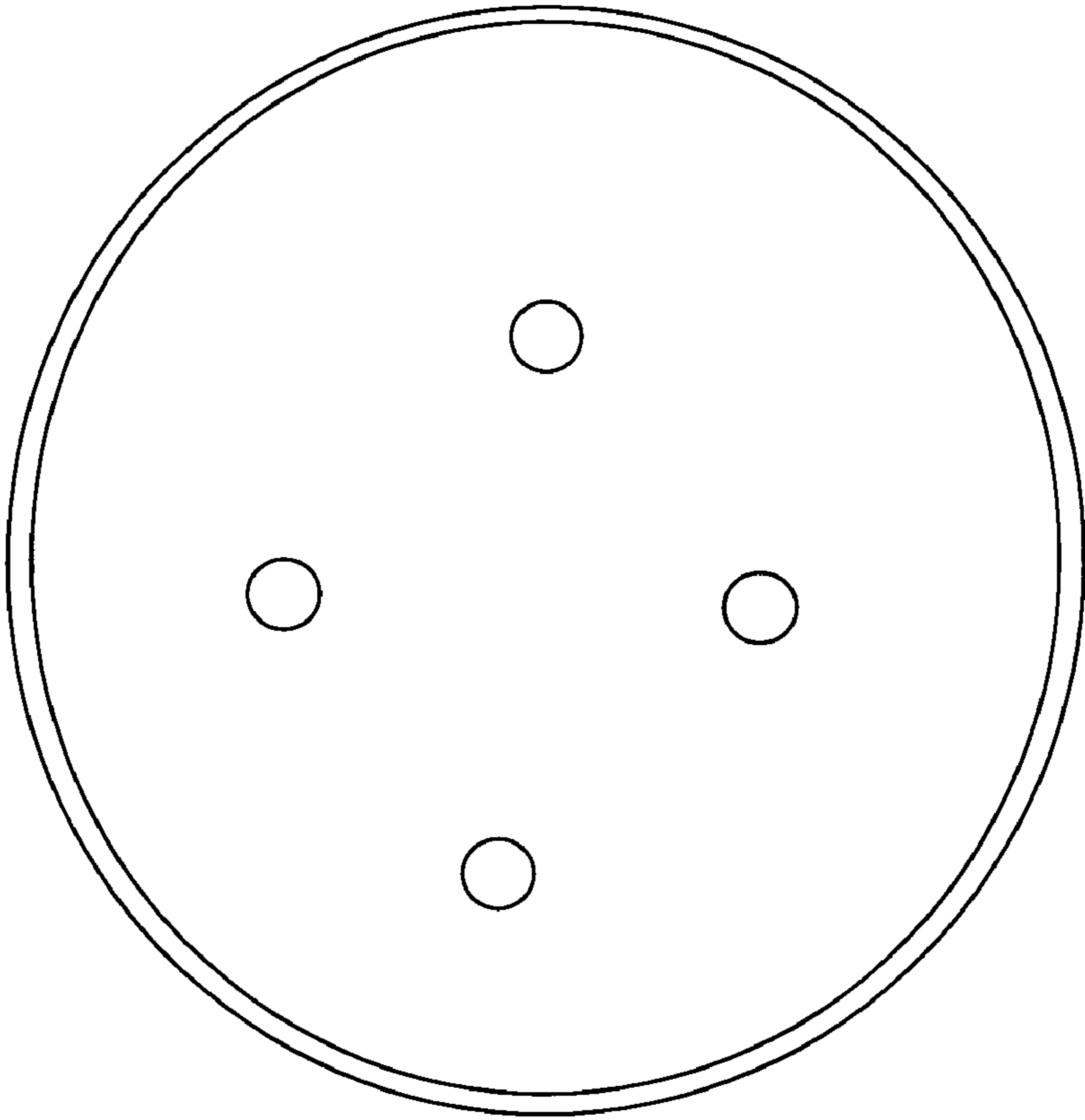


FIG. 2