



US00D643244S

(12) **United States Design Patent**  
**de Groote**

(10) **Patent No.:** **US D643,244 S**

(45) **Date of Patent:** **\*\* Aug. 16, 2011**

(54) **COVERED BAKING CONTAINER**

(75) Inventor: **Jan-Hendrik de Groote**, Brussels (BE)

(73) Assignee: **Dart Industries Inc.**, Orlando, FL (US)

(\*\*) Term: **14 Years**

(21) Appl. No.: **29/372,100**

(22) Filed: **Oct. 15, 2010**

(51) **LOC (9) Cl.** ..... **07-02**

(52) **U.S. Cl.** ..... **D7/354**

(58) **Field of Classification Search** ..... D7/323,  
D7/329-331, 339, 346-347, 350.1-350.4,  
D7/354-363, 391, 393, 402, 538, 542, 587;  
99/324-325, 331-332, 337-340, 369, 403-418,  
99/444; 206/501-505, 507-508; 219/400,  
219/405, 435-442, 620-624, 725, 730-735;  
220/573.1-573.5, 912; 426/438, 441

See application file for complete search history.

(56) **References Cited**

**U.S. PATENT DOCUMENTS**

D218,347 S *	8/1970	Aubecq	.....	D7/360
D282,135 S *	1/1986	McClelland	.....	D7/538
D326,797 S *	6/1992	Pomroy et al.	.....	D7/538
D348,377 S *	7/1994	Douglas	.....	D7/538
5,466,912 A *	11/1995	Dornbush et al.	.....	219/400

D535,153 S *	1/2007	Eide et al.	.....	D7/542
D544,295 S *	6/2007	Lion et al.	.....	D7/354
D568,108 S *	5/2008	Levien	.....	D7/542
D577,539 S *	9/2008	Cuillery	.....	D7/393
D585,239 S *	1/2009	Thurlow et al.	.....	D7/391
D632,135 S *	2/2011	Green-Cotton et al.	.....	D7/587
D633,339 S *	3/2011	Hart et al.	.....	D7/538

\* cited by examiner

*Primary Examiner* — Ricky Pham

(74) *Attorney, Agent, or Firm* — John A. Doninger

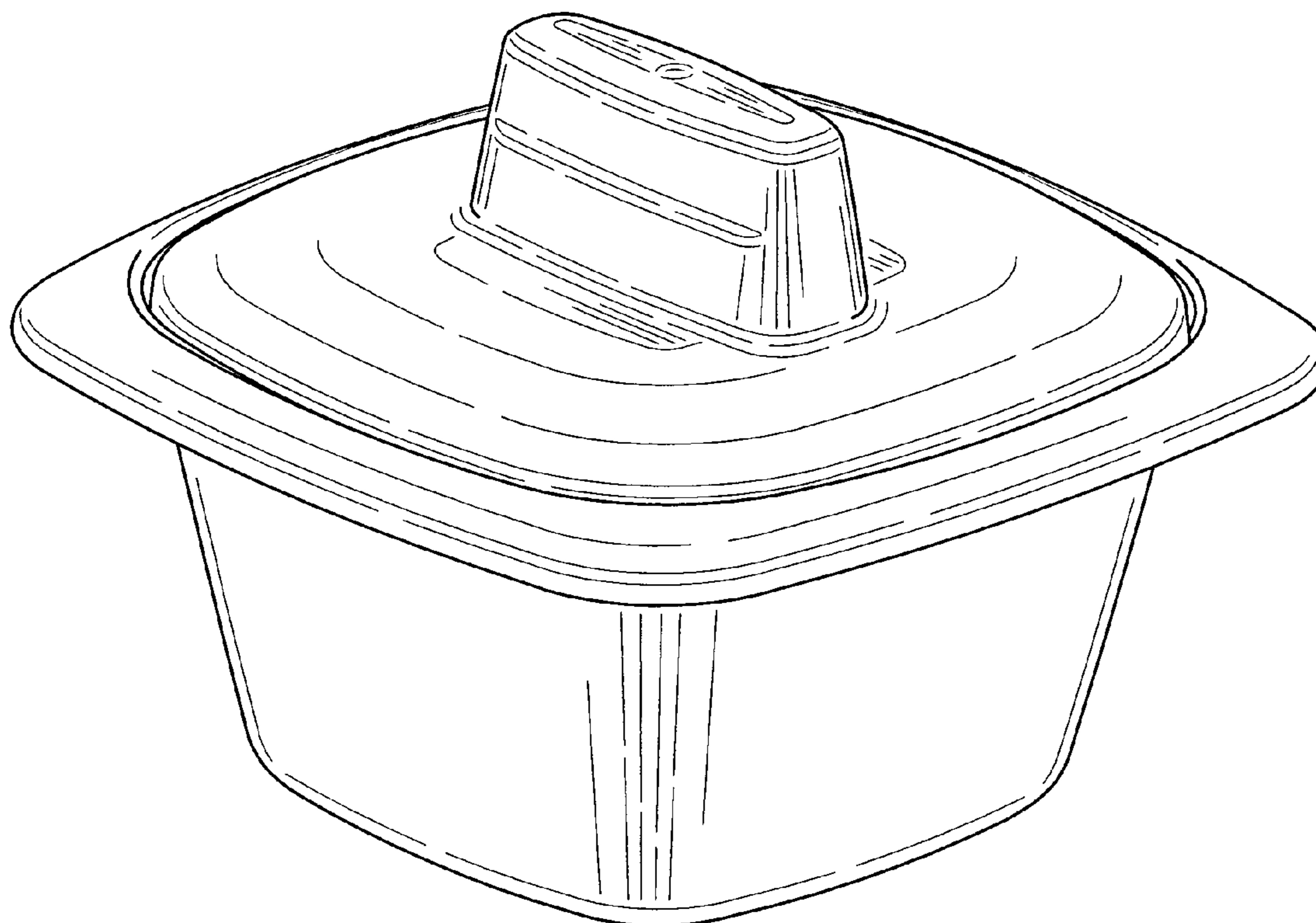
(57) **CLAIM**

The ornamental design for a covered baking container, as shown and described.

**DESCRIPTION**

FIG. 1 is a top, side and front perspective view of a covered baking container showing my new design;  
FIG. 2 is a front elevation view, the rear elevation being identical thereto;  
FIG. 3 is a right side elevation view, the left side being identical thereto;  
FIG. 4 is a top plan view thereof;  
FIG. 5 is a bottom plan view thereof;  
FIG. 6 is a cross-sectional view along line 6—6 of FIG. 4; and,  
FIG. 7 is a cross-sectional view along line 7—7 of FIG. 4.

**1 Claim, 4 Drawing Sheets**



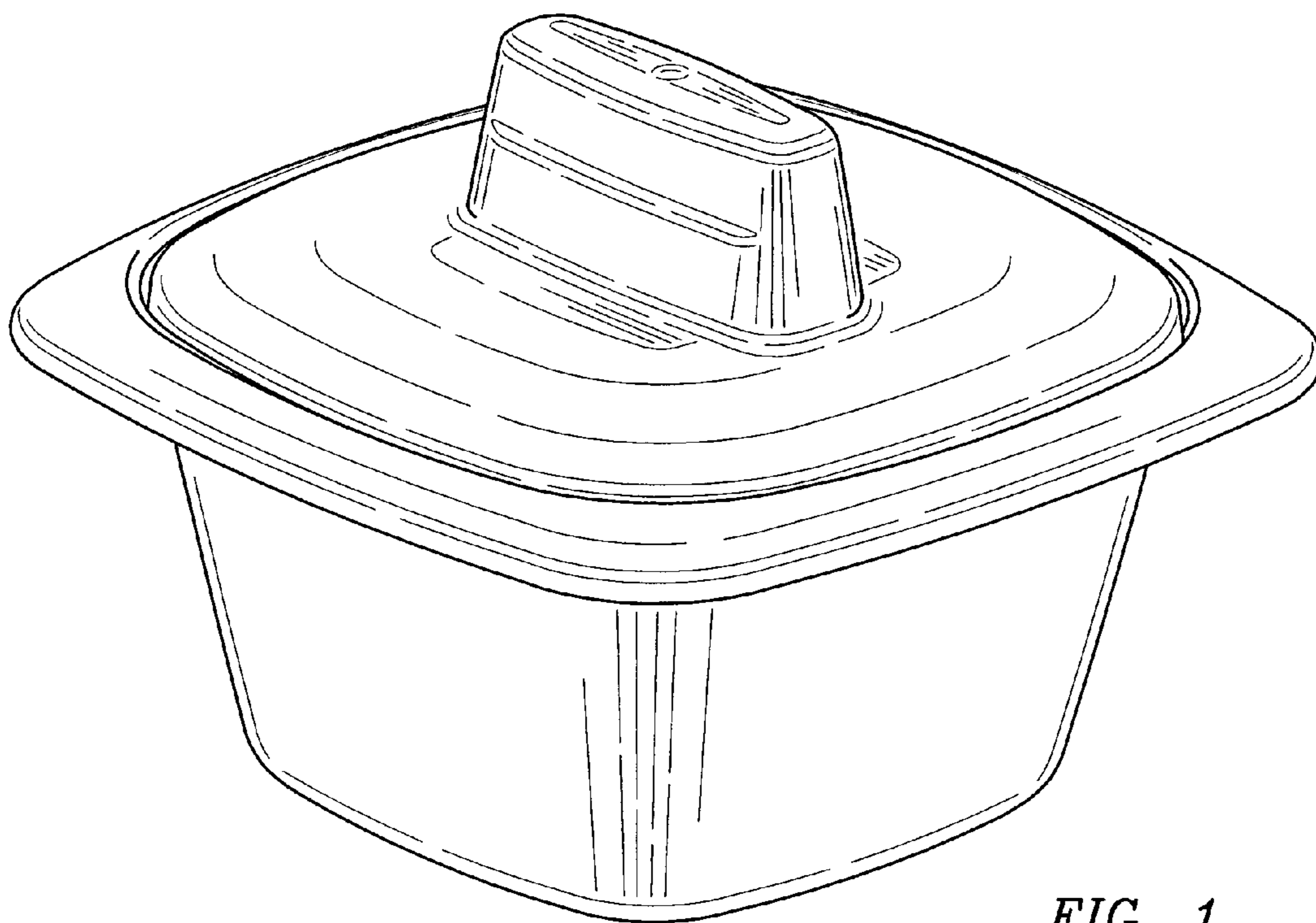


FIG. 1

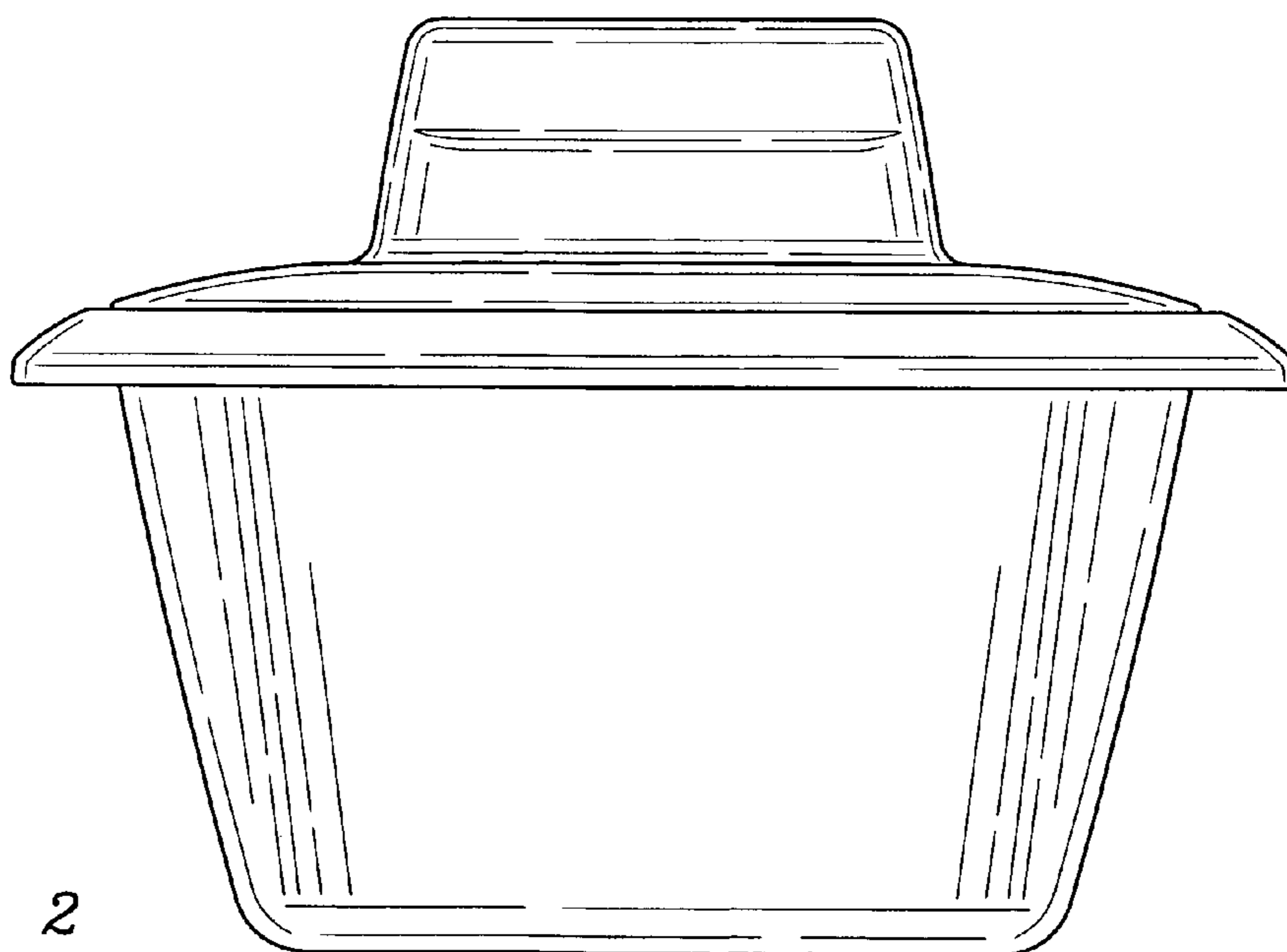


FIG. 2

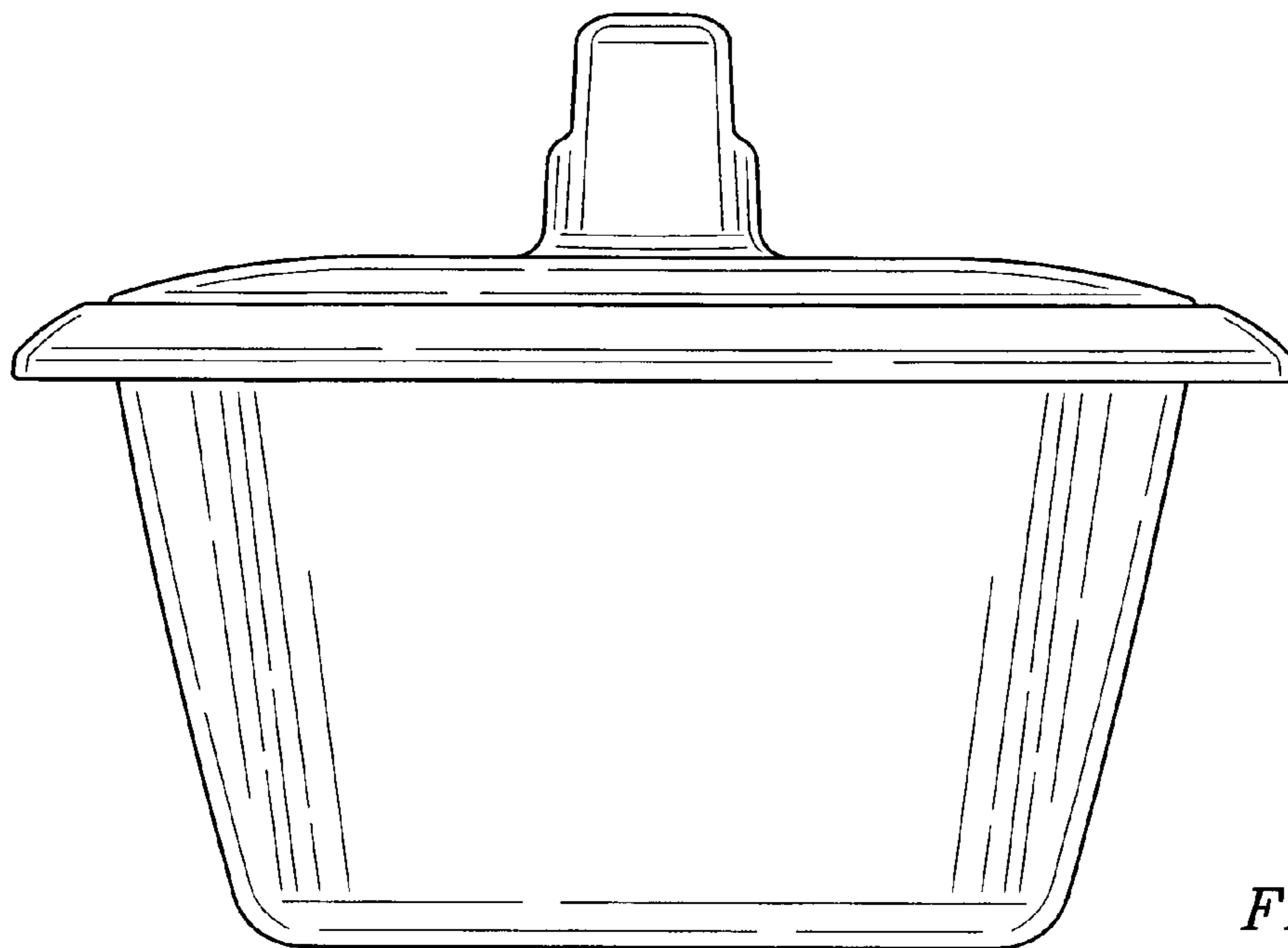


FIG. 3

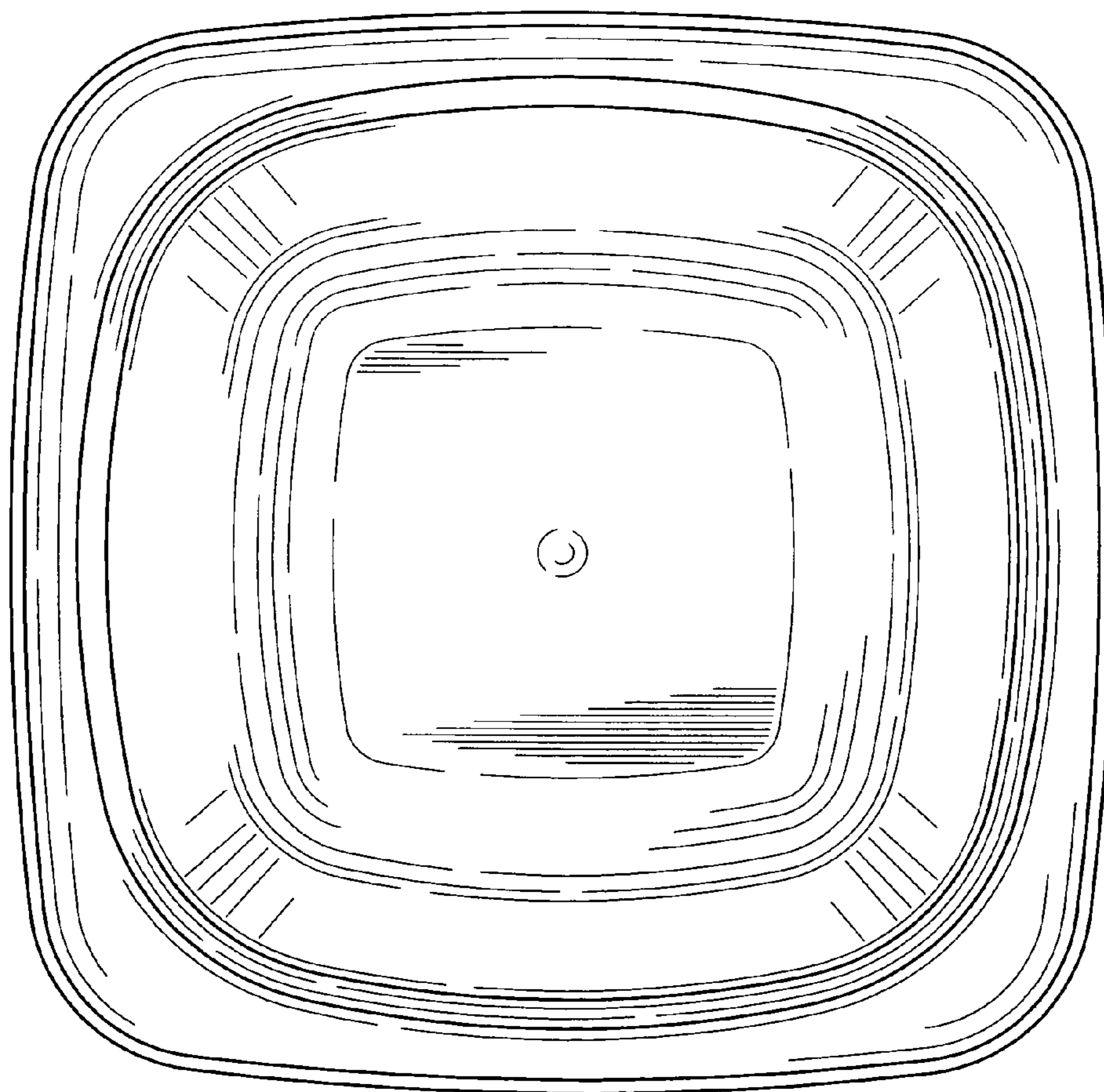


FIG. 5

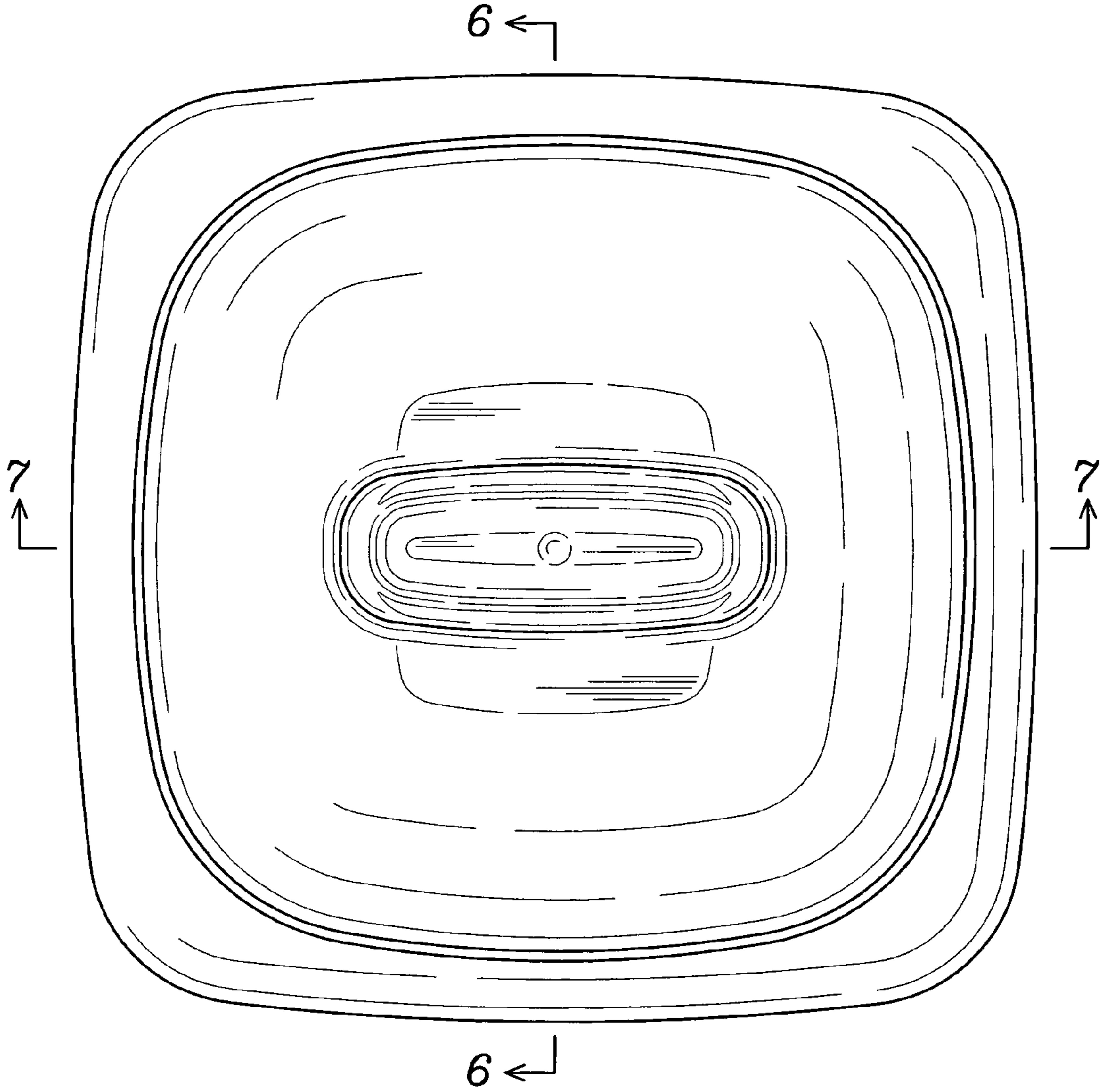


FIG. 4

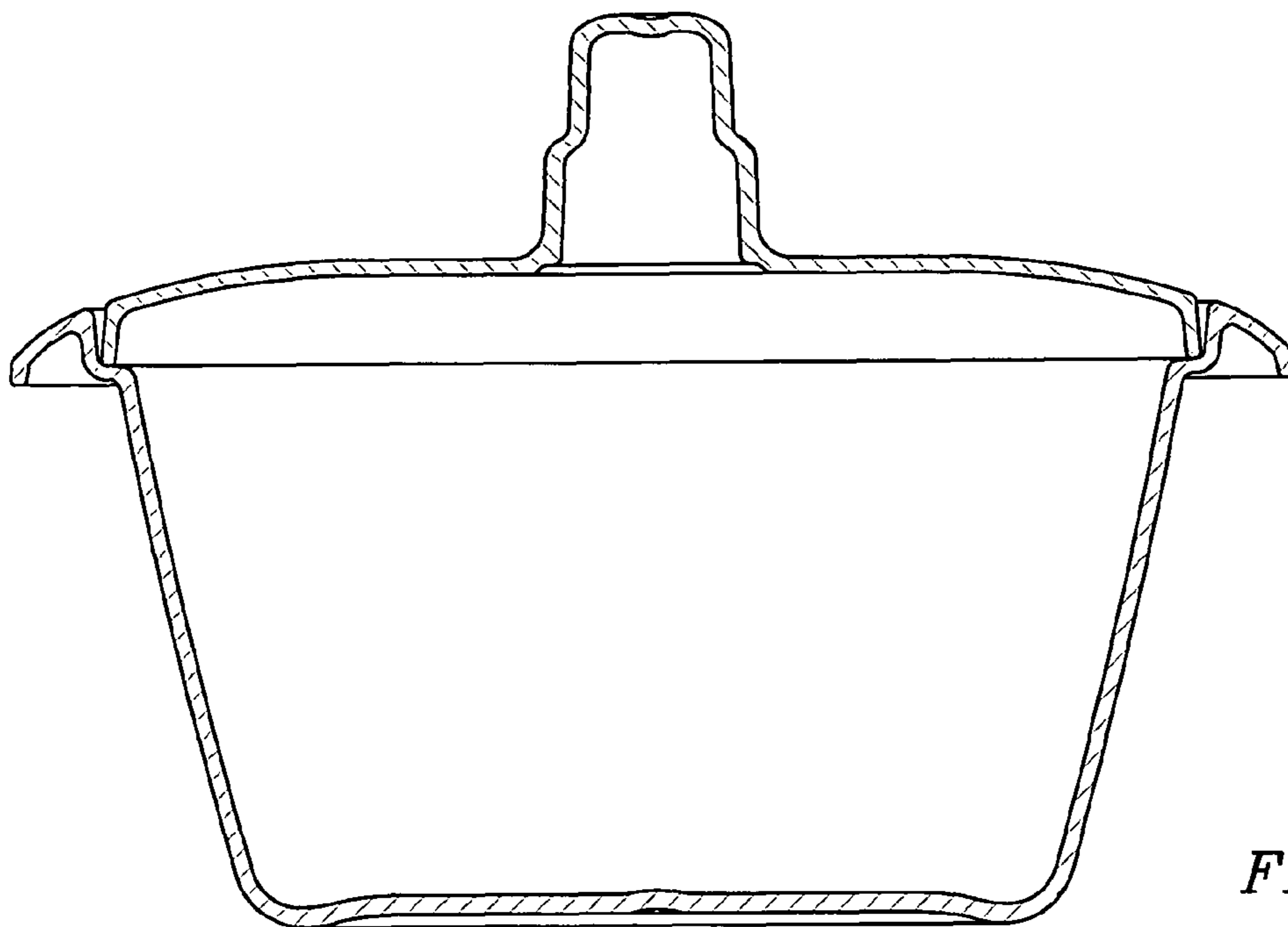


FIG. 6

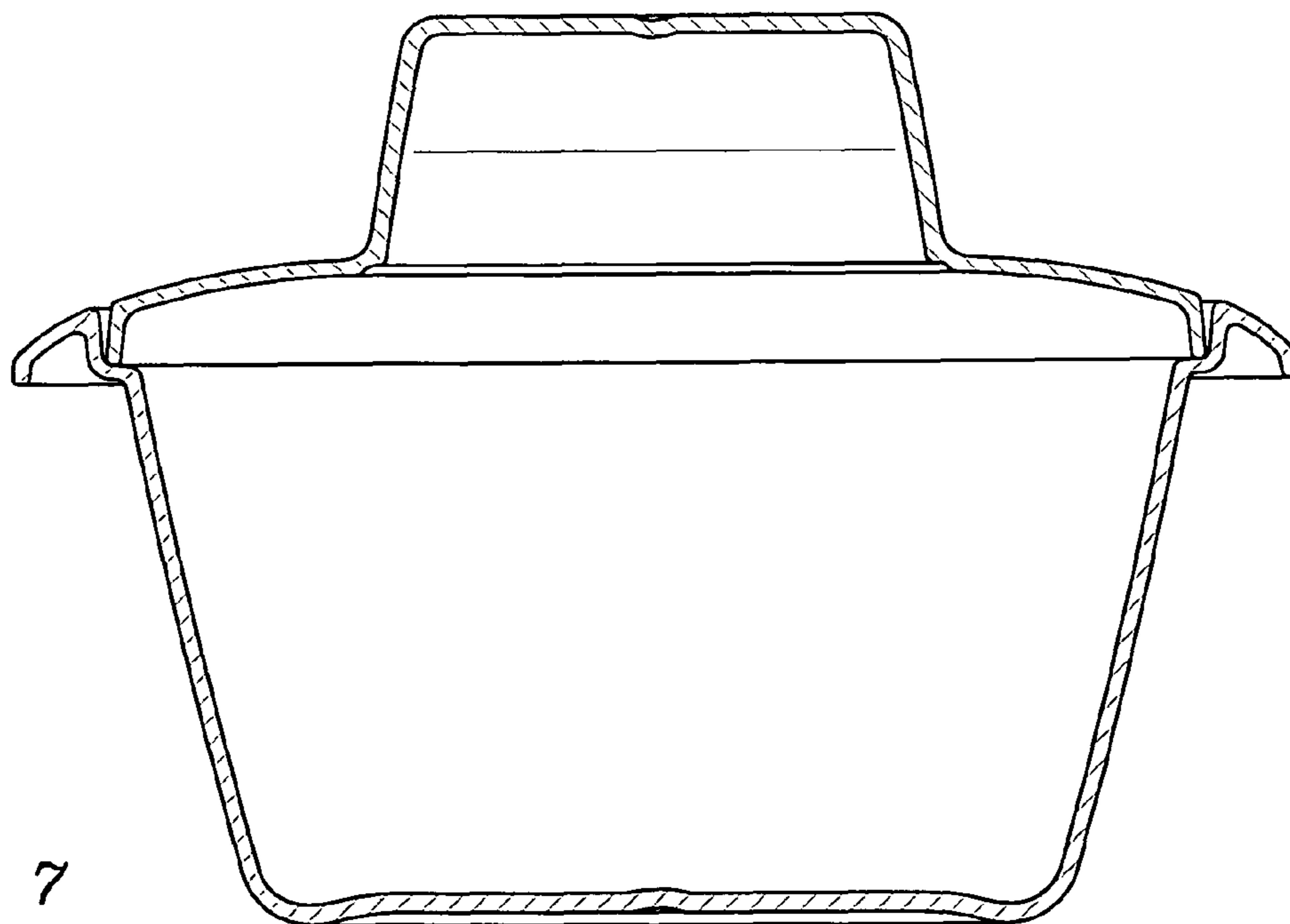


FIG. 7